



US00D677833S

(12) **United States Design Patent**
Key

(10) **Patent No.:** **US D677,833 S**

(45) **Date of Patent:** **** Mar. 12, 2013**

(54) **WIG STYLING STATION**

(76) Inventor: **Carol Key**, Kennesaw, GA (US)

(**) Term: **14 Years**

(21) Appl. No.: **29/393,648**

(22) Filed: **Jun. 7, 2011**

(51) **LOC (9) Cl.** **28-03**

(52) **U.S. Cl.** **D28/9; D28/93; D3/279**

(58) **Field of Classification Search** D28/9-10,
D28/93; D3/279; 206/8-9; 211/30; 132/315,
132/54; 190/13 G, 16, 18 A, 112, 113, 115
See application file for complete search history.

(56) **References Cited**

U.S. PATENT DOCUMENTS

| | | | | |
|-----------|------|---------|----------------|---------|
| 3,288,415 | A | 11/1966 | Eickoff | |
| 3,289,823 | A | 12/1966 | Weiser et al. | |
| 3,310,162 | A | 3/1967 | Bayer | |
| 3,396,832 | A * | 8/1968 | Bloom et al. | 206/8 |
| 3,479,106 | A | 11/1969 | Bohannon | |
| D218,076 | S | 7/1970 | Douglas | |
| 3,552,549 | A | 1/1971 | Creese | |
| 3,572,825 | A | 3/1971 | Davis | |
| 3,603,322 | A | 9/1971 | Wilson | |
| 3,621,988 | A | 11/1971 | Songer | |
| 3,658,174 | A | 4/1972 | Friedman | |
| 3,715,028 | A * | 2/1973 | Schumer | 206/8 |
| 3,740,013 | A | 6/1973 | Bentley et al. | |
| 3,820,694 | A | 6/1974 | Pabis | |
| 4,616,747 | A * | 10/1986 | Zimmerman | 206/8 |
| D289,946 | S | 5/1987 | Moore | |
| 5,503,312 | A * | 4/1996 | Kassner | 223/120 |
| 6,499,575 | B1 * | 12/2002 | Tsai | 190/107 |
| D649,714 | S * | 11/2011 | Key | D28/93 |

| | | | | |
|--------------|------|--------|-------------|----------|
| 2006/0108193 | A1 * | 5/2006 | Lee et al. | 190/102 |
| 2009/0218376 | A1 | 9/2009 | King et al. | |
| 2010/0101908 | A1 * | 4/2010 | Chun | 190/18 A |

* cited by examiner

Primary Examiner — Jennifer Rivard

(74) *Attorney, Agent, or Firm* — QuickPatents; Kevin Prince

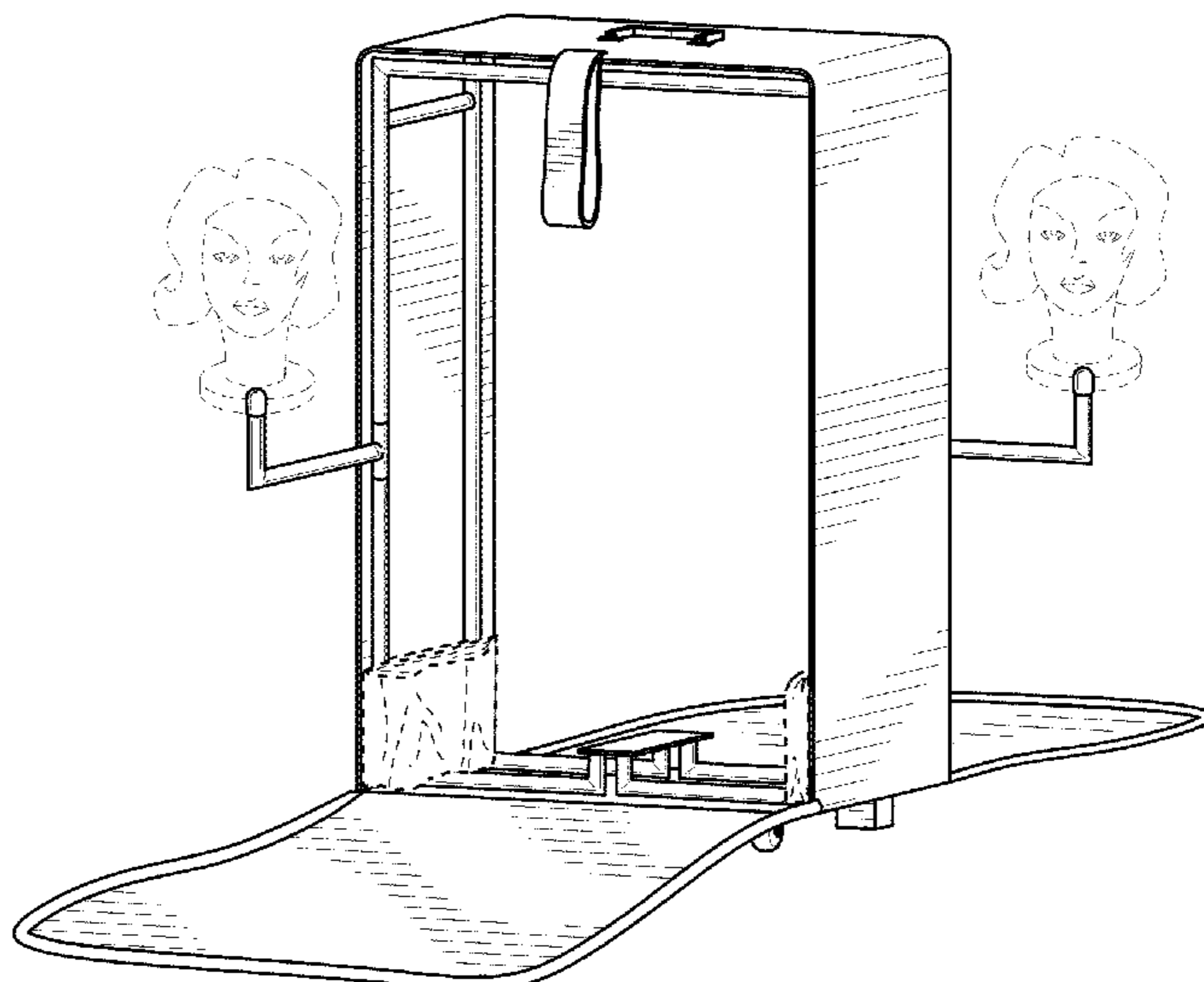
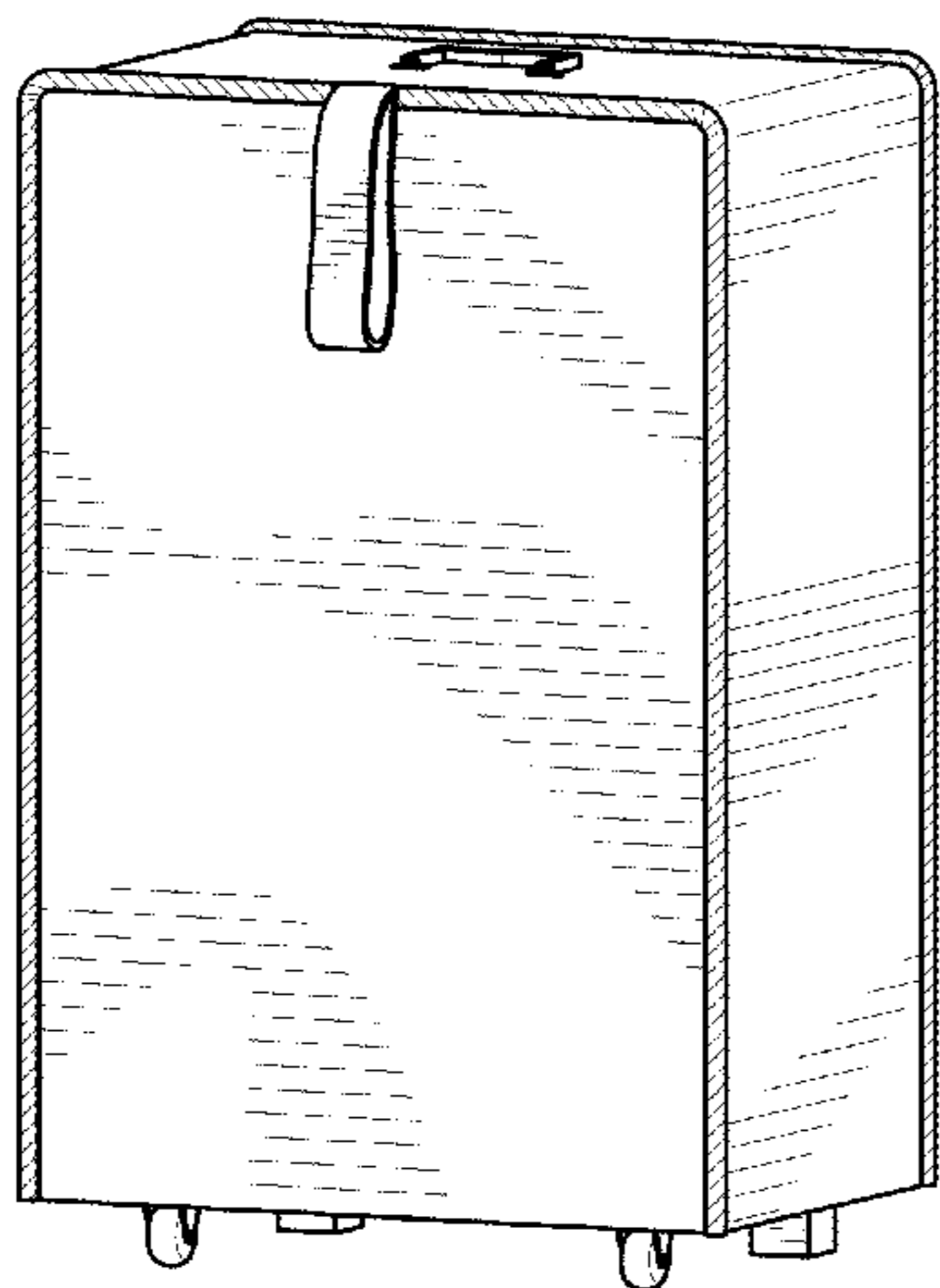
(57) **CLAIM**

I claim the ornamental design for a wig styling station, as shown and described.

DESCRIPTION

FIG. 1 is a perspective view of a wig styling station, showing my new design in a closed position;
 FIG. 2 is a right-side elevational view thereof;
 FIG. 3 is a rear elevational view thereof;
 FIG. 4 is a left-side elevational view thereof;
 FIG. 5 is a front elevational view thereof;
 FIG. 6 is a bottom plan view thereof;
 FIG. 7 is a top plan view thereof;
 FIG. 8 is a perspective view thereof, illustrated in an open position with mannequin arms in an extended position.
 FIG. 9 is a front elevational view of FIG. 8, the rear elevational view being a mirror image thereof, the mannequin arms in a retracted; and,
 FIG. 10 is a left-side elevational view of FIG. 9, the rear elevational view being a mirror image thereof.
 The broken lines showing wigs and mannequins in FIG. 8 and internal elements in FIGS. 8 and 9 depict environmental matter and form no part of the claimed design. The remaining broken lines represent stitching, and are part of the claimed design.

1 Claim, 3 Drawing Sheets



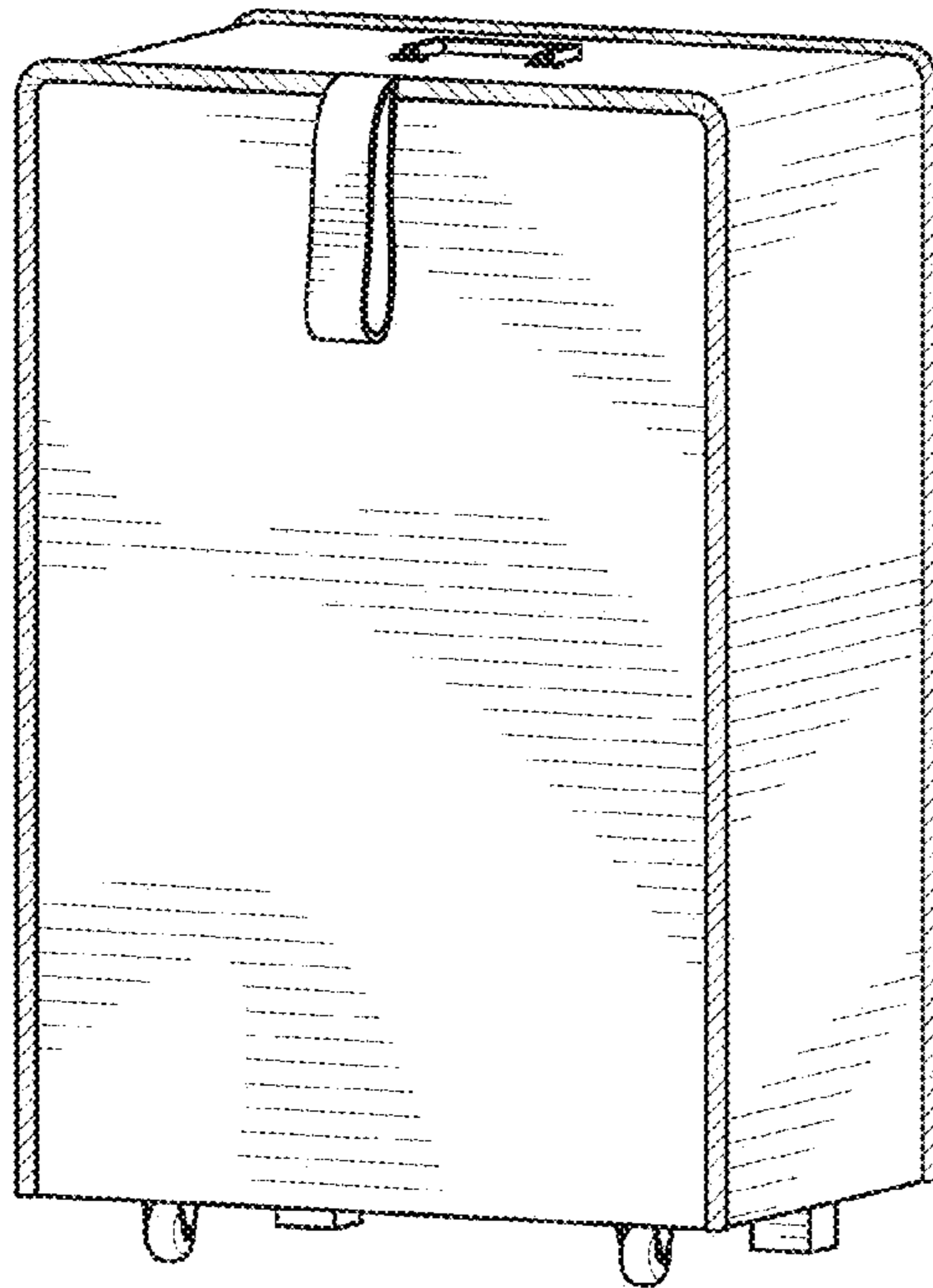


FIG. 1

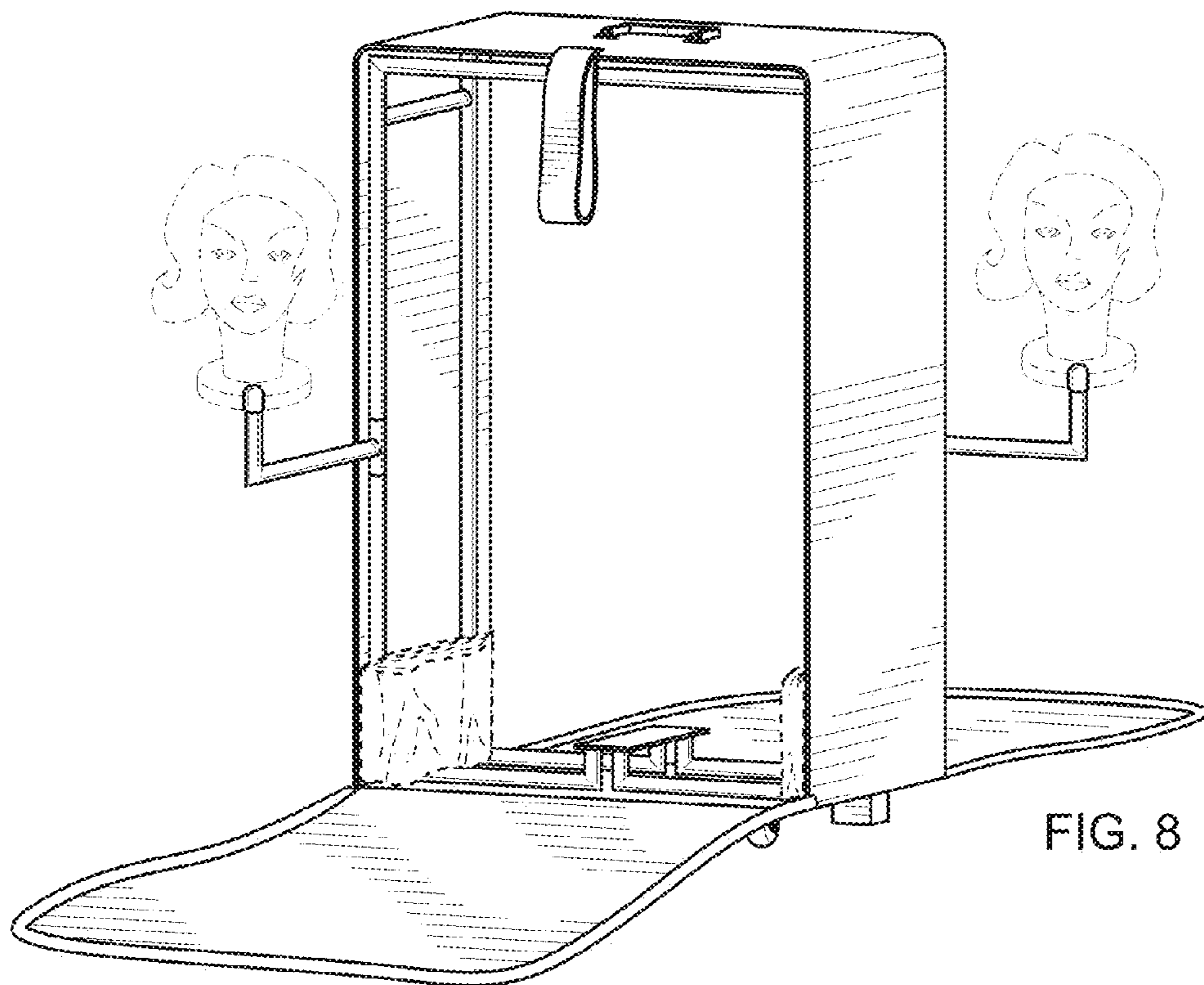


FIG. 8

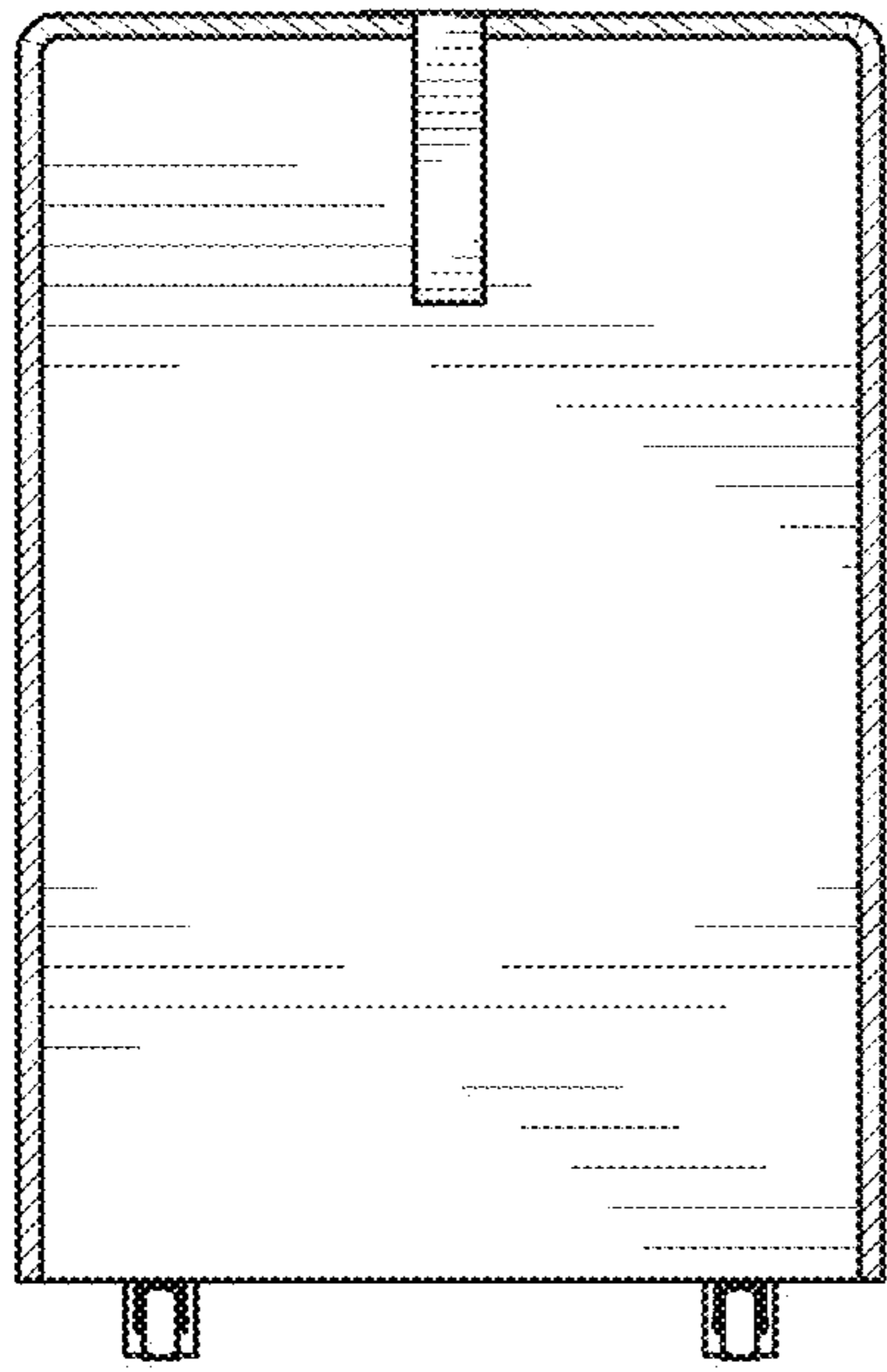


FIG. 2

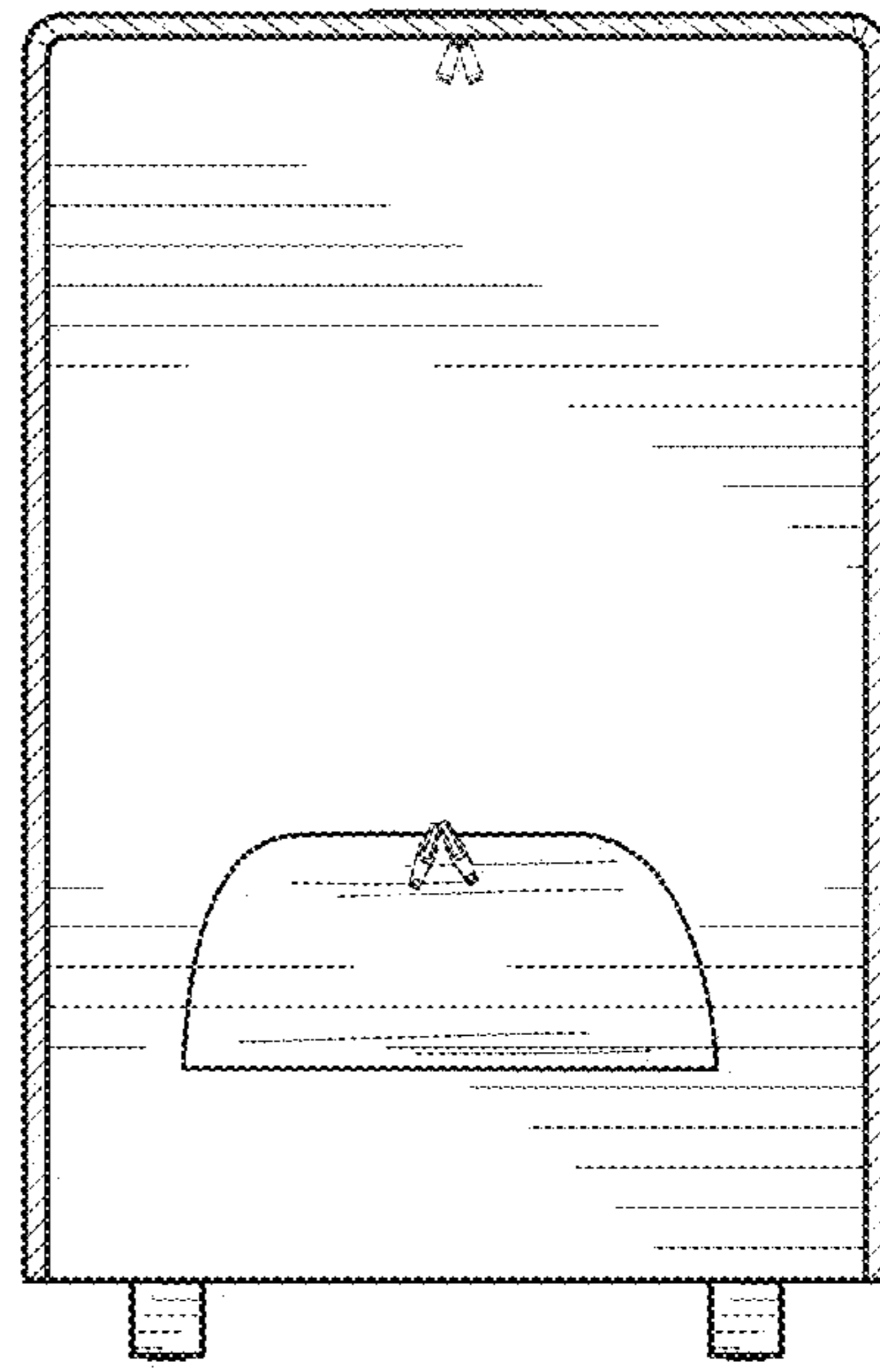


FIG. 3

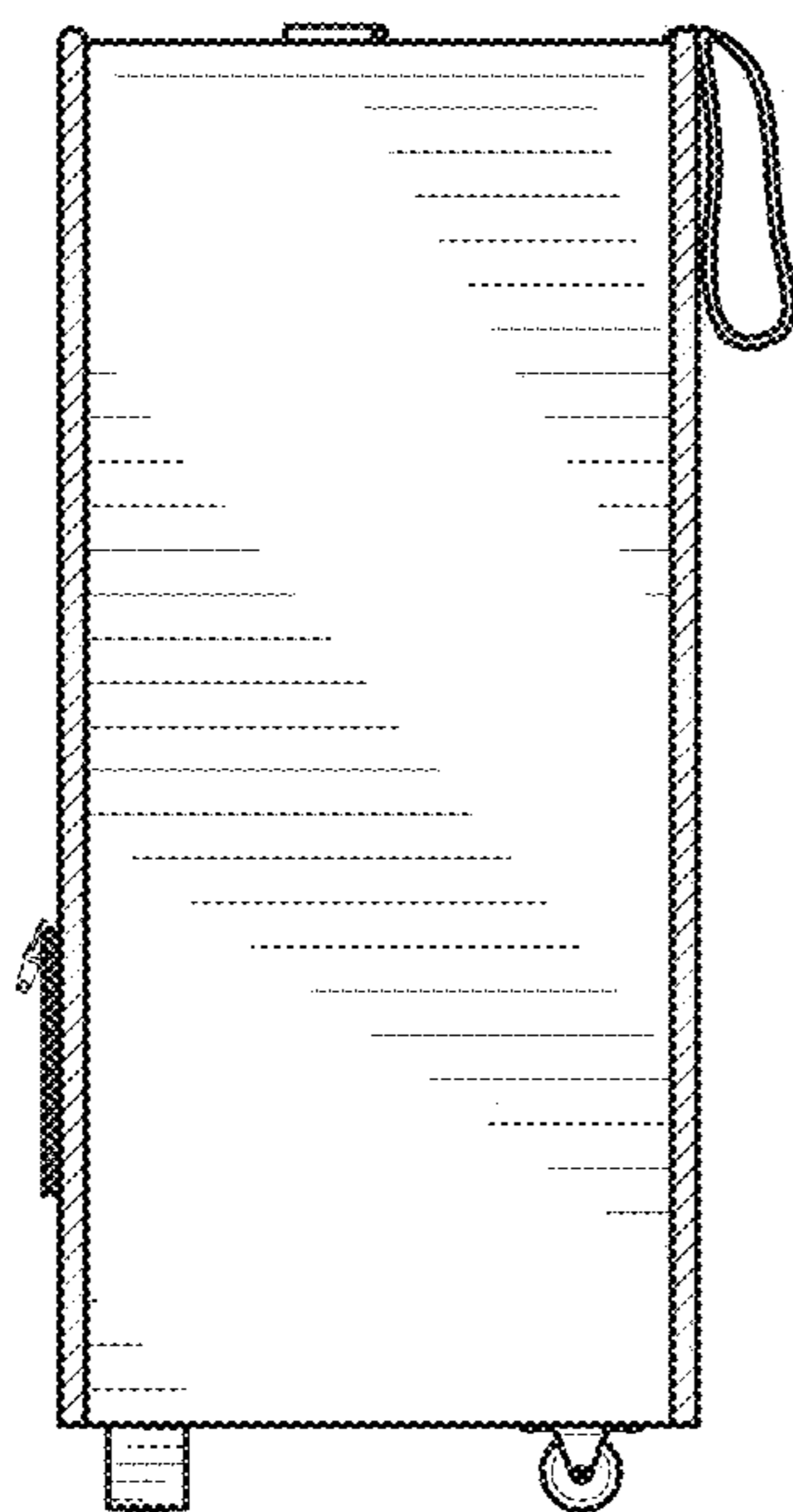


FIG. 4

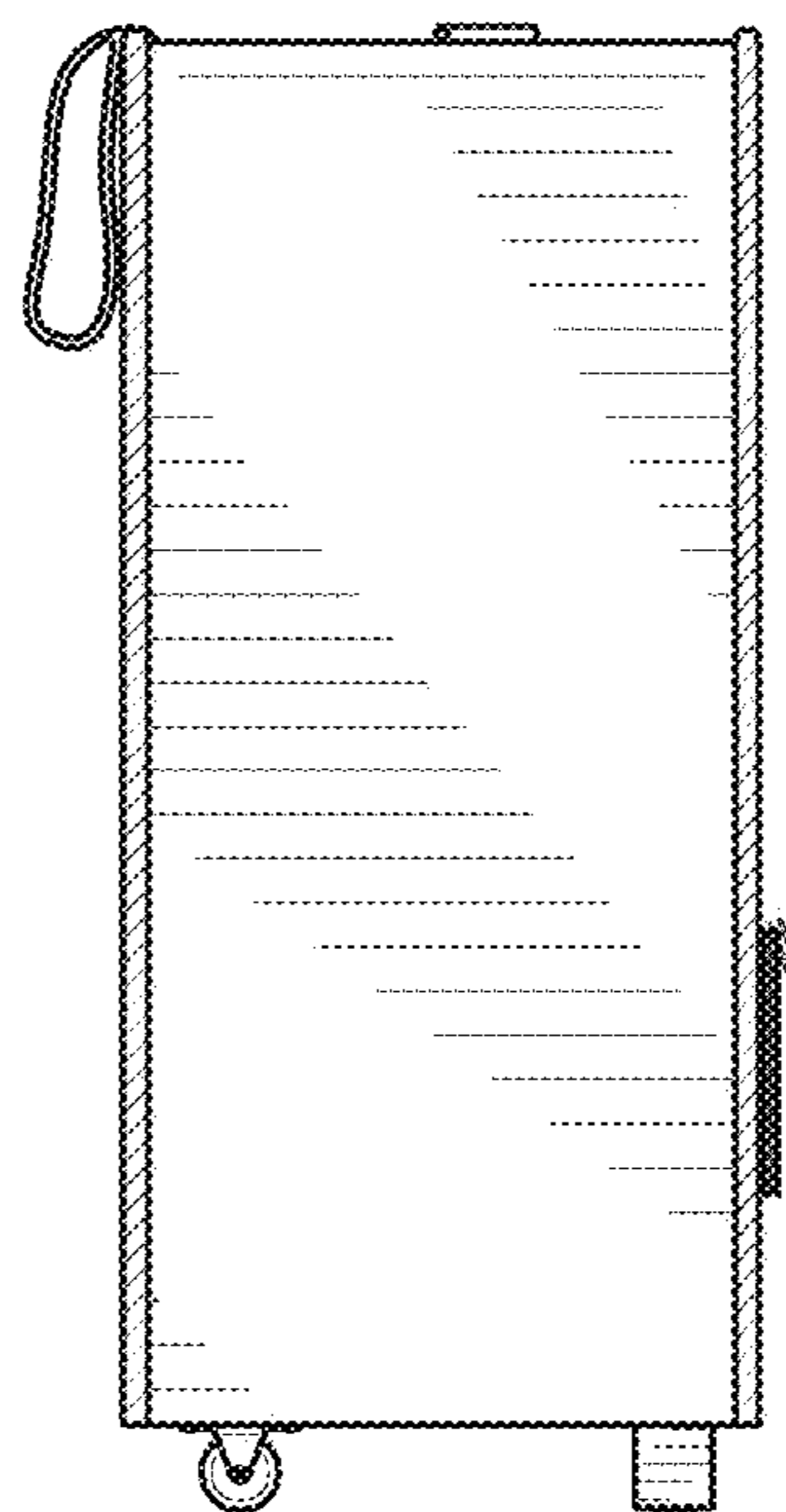


FIG. 5

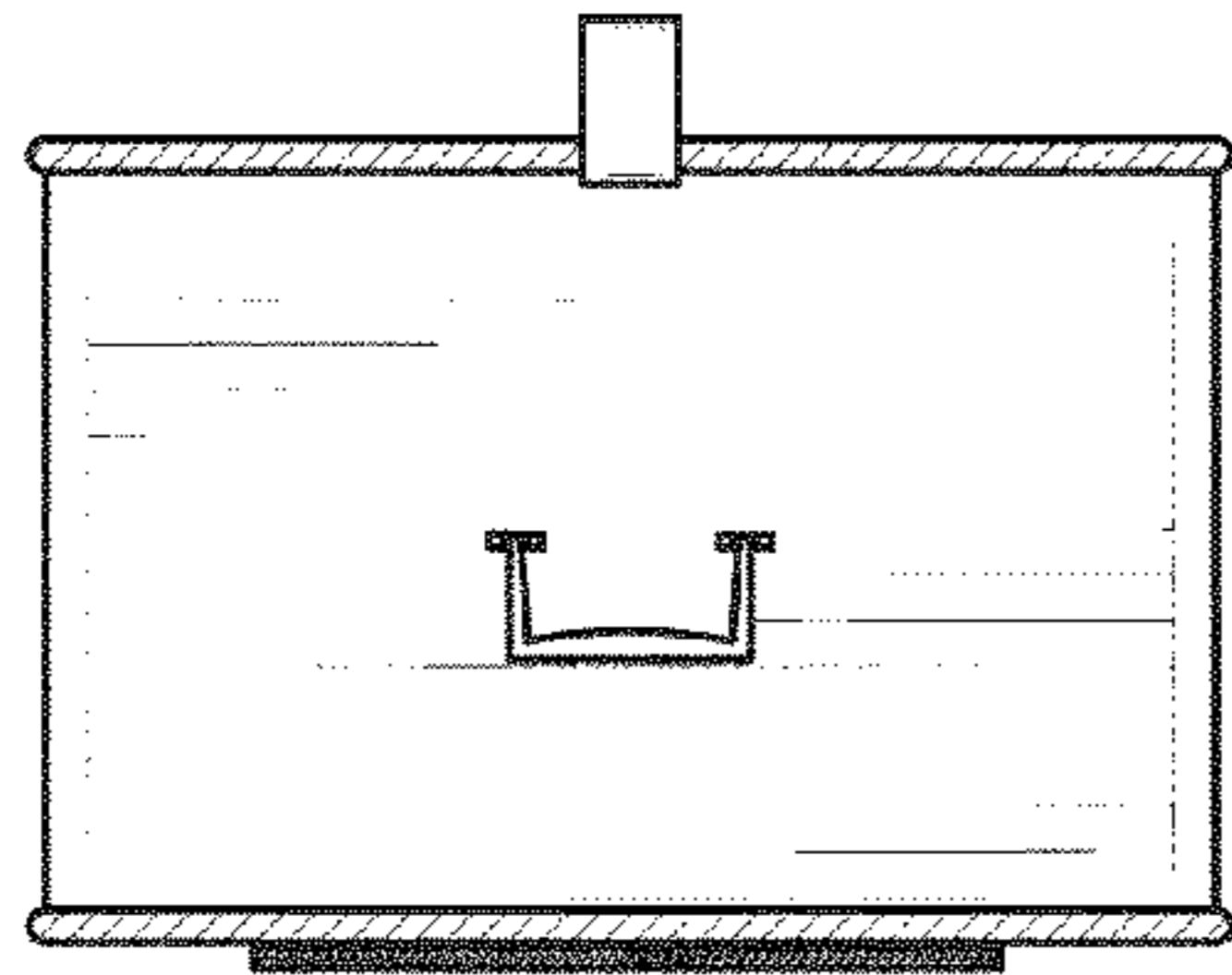


FIG. 6

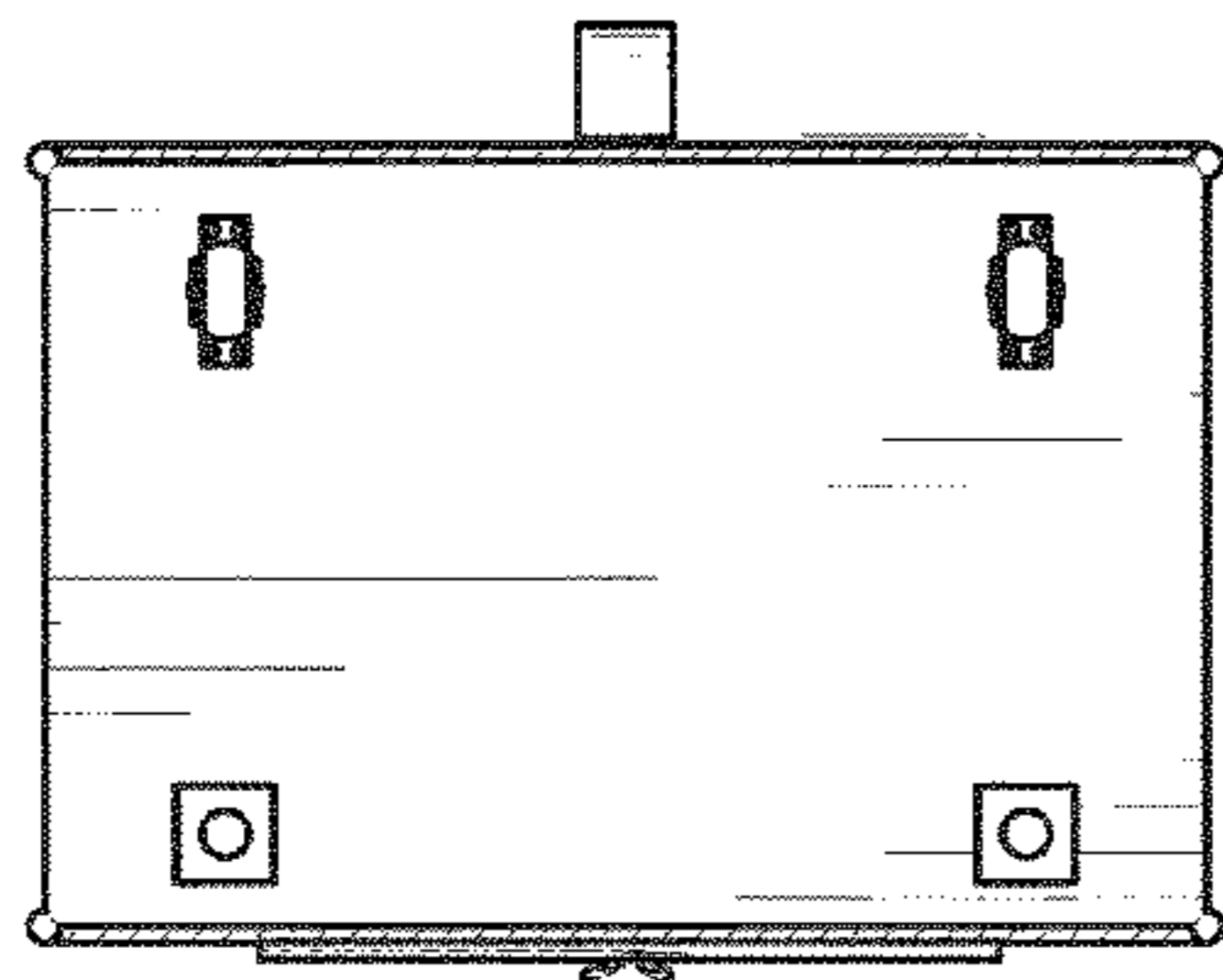


FIG. 7

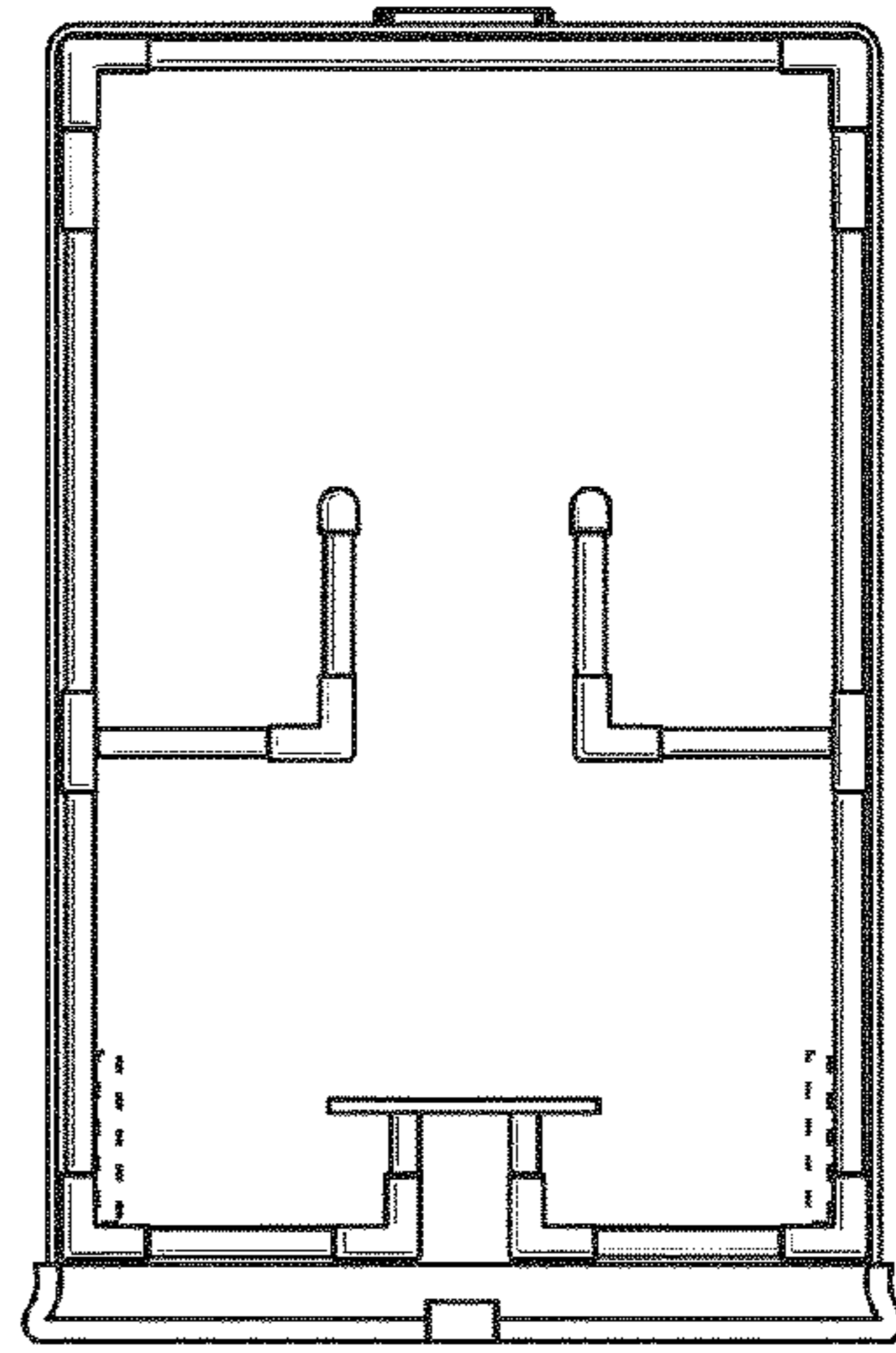


FIG. 9

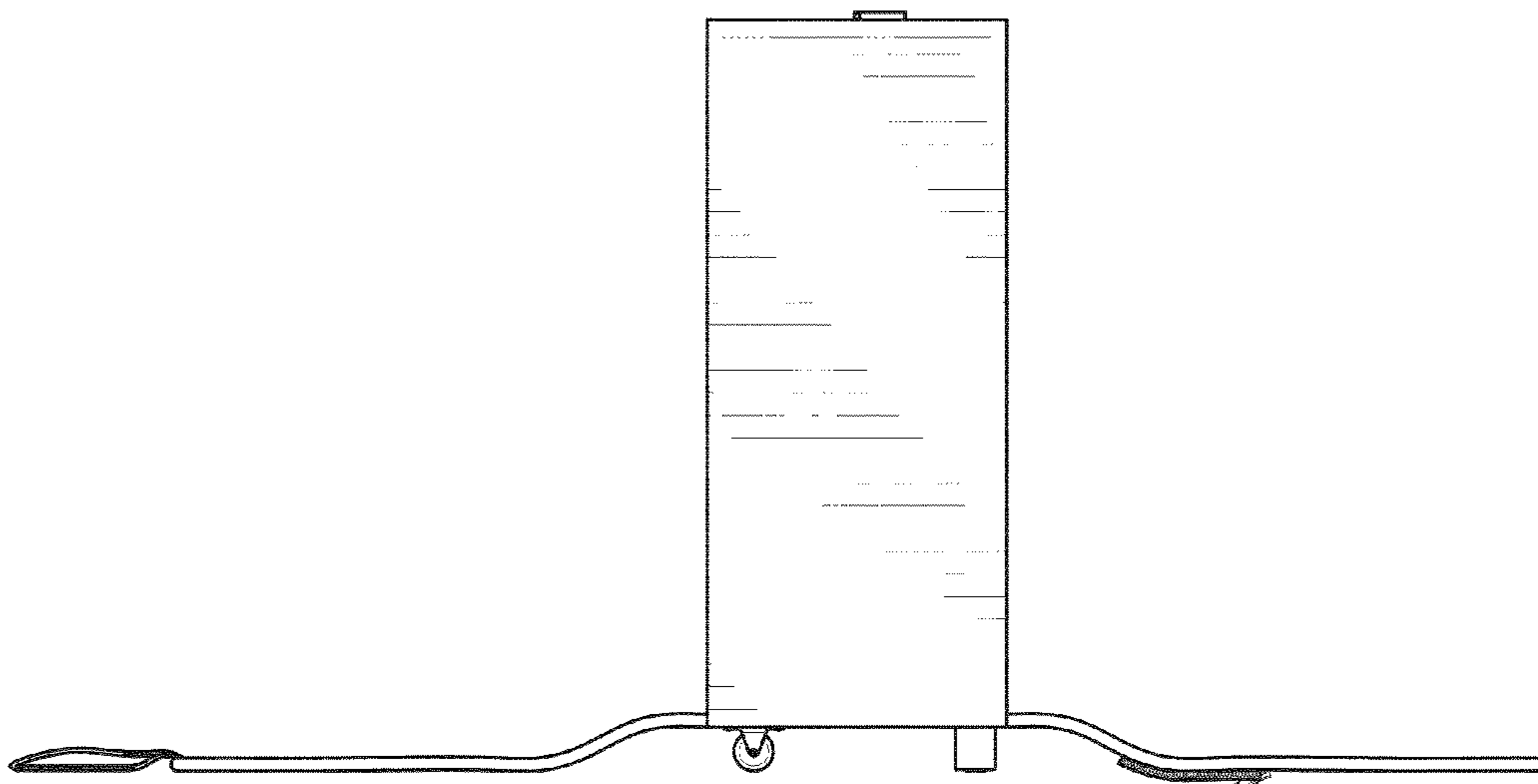


FIG. 10