



US00D677832S

(12) **United States Design Patent**  
**Fastuca**

(10) **Patent No.:** **US D677,832 S**  
(45) **Date of Patent:** **\*\* Mar. 12, 2013**

- (54) **CIGAR TRAVEL CASE**
- (75) Inventor: **Michael J. Fastuca**, Bethel Park, PA (US)
- (73) Assignee: **Michael J. Fastuca**, Bethel Park, PA (US)
- (\*\*) Term: **14 Years**
- (21) Appl. No.: **29/429,606**
- (22) Filed: **Aug. 14, 2012**
- (51) **LOC (9) Cl.** ..... **27-06**
- (52) **U.S. Cl.** ..... **D27/189**
- (58) **Field of Classification Search** ..... D27/106, D27/136, 133, 134, 135, 102, 103, 104, 105, D27/137, 161, 163, 160, 166, 167, 168, 181, D27/183, 162, 169, 180, 165, 164, 182, 184, D27/185, 186, 187, 188, 189, 190; 131/235.1, 131/241, 248, 231, 240.1, 236, 256, 175, 131/173; D9/432, 423; 248/230.8; 431/146, 431/254, 252, 277, 255, 153, 356  
See application file for complete search history.

D394,522	S	*	5/1998	Putnam	.....	D27/190
5,862,809	A	*	1/1999	Nicotra	.....	131/256
D406,388	S	*	3/1999	Putnam	.....	D27/190
D409,330	S	*	5/1999	Putnam	.....	D27/190
5,957,277	A	*	9/1999	Elliott	.....	206/205
5,957,380	A	*	9/1999	Fitterman et al.	.....	239/55
D428,195	S	*	7/2000	Knudsen	.....	D27/183
6,102,047	A	*	8/2000	Manderick	.....	131/255
D433,633	S	*	11/2000	La Fata	.....	D9/502
6,386,204	B1	*	5/2002	Kontos	.....	131/250
6,463,936	B1	*	10/2002	Hicks	.....	131/256
D488,961	S	*	4/2004	Moran	.....	D7/608
D515,916	S	*	2/2006	Bleuer	.....	D9/428
D522,689	S	*	6/2006	Bores et al.	.....	D27/136
D559,675	S	*	1/2008	Webb et al.	.....	D9/417
D592,046	S	*	5/2009	Myers et al.	.....	D9/418
D640,935	S	*	7/2011	Davies et al.	.....	D9/746
D670,858	S	*	11/2012	Fakhouri et al.	.....	D27/189
2004/0084055	A1	*	5/2004	Rebensdorf	.....	131/235.1
2007/0034216	A1	*	2/2007	Liu et al.	.....	131/256

\* cited by examiner

*Primary Examiner* — Kevin Rudzinski  
(74) *Attorney, Agent, or Firm* — The Webb Law Firm

(57) **CLAIM**  
The ornamental design for a cigar travel case, as shown and described.

**DESCRIPTION**

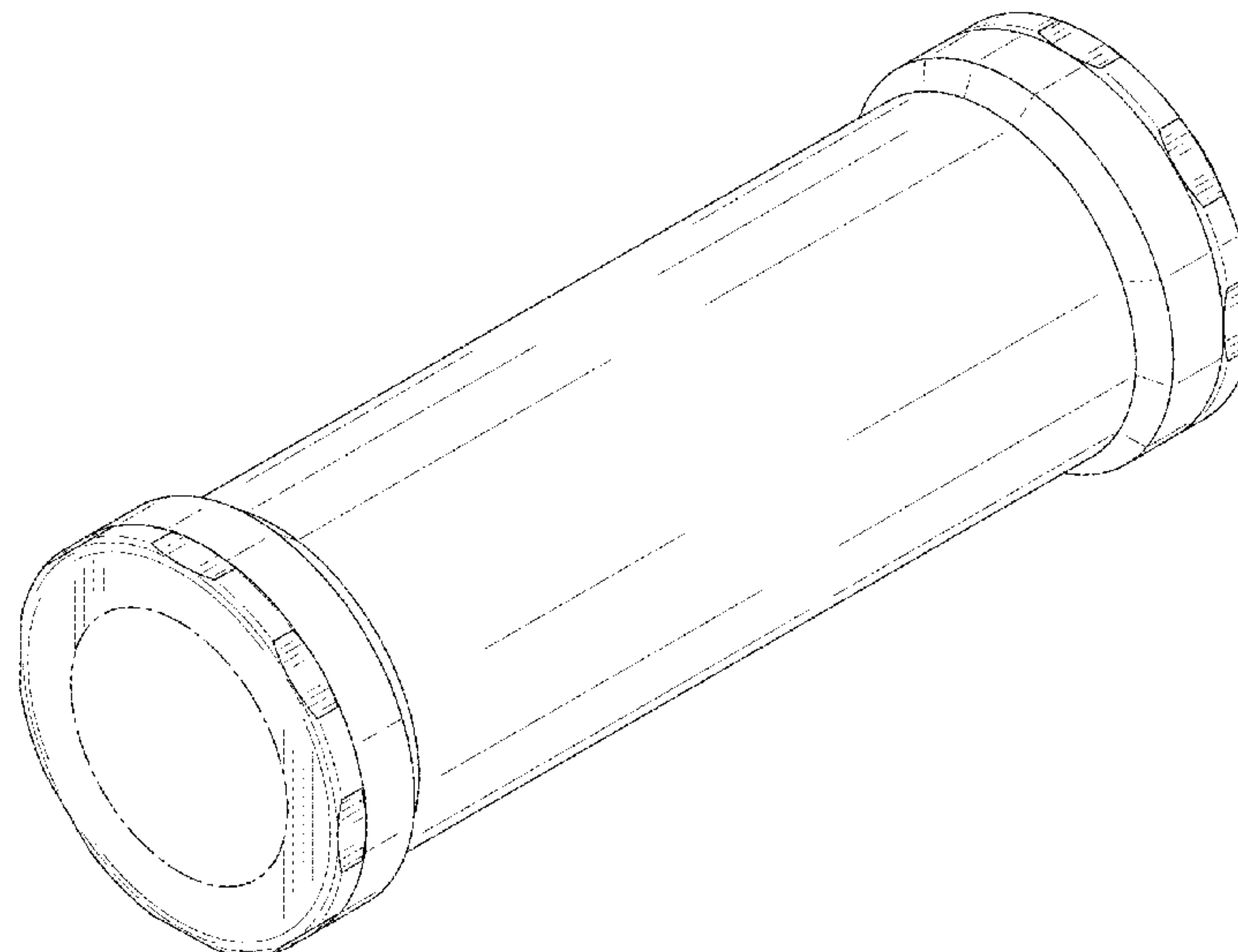
FIG. 1 is a perspective view of a cigar travel case in accordance with the present invention;  
FIG. 2 a top view of the cigar travel case of FIG. 1;  
FIG. 3 is a bottom view of the cigar travel case of FIG. 1;  
FIG. 4 is a rear view of the cigar travel case of FIG. 1; and,  
FIG. 5 is a front view of the cigar travel case of FIG. 1.  
The broken lines illustrating portions of the cigar travel case form no part of the claimed design.

**1 Claim, 3 Drawing Sheets**

(56) **References Cited**

U.S. PATENT DOCUMENTS

632,167	A	*	8/1899	Biesmeyer	.....	206/214
2,352,066	A	*	6/1944	Apfelbaum	.....	206/536
D153,759	S	*	5/1949	Blatt	.....	D9/689
3,346,135	A	*	10/1967	Haitsch	.....	215/227
D237,807	S	*	11/1975	Russell et al.	.....	D27/188
D260,843	S	*	9/1981	Laird et al.	.....	D7/608
D274,209	S	*	6/1984	Kikuchi	.....	D7/608
4,907,604	A	*	3/1990	Beloff	.....	131/256
D311,868	S	*	11/1990	Armstrong	.....	D9/453
5,011,009	A	*	4/1991	Scheurer	.....	206/270
D338,317	S	*	8/1993	Woodward	.....	D99/28
D360,829	S	*	8/1995	Leeds	.....	D9/773



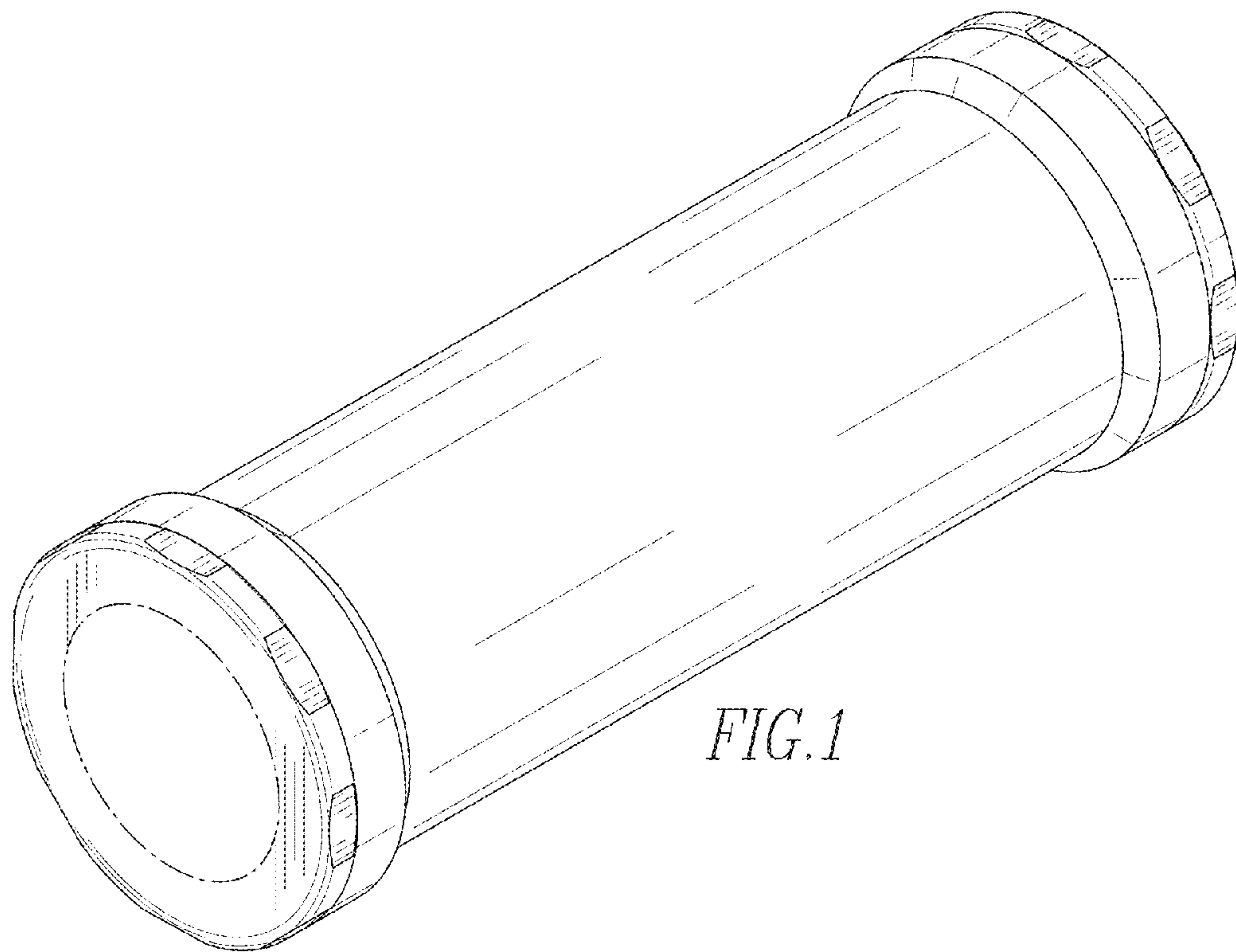
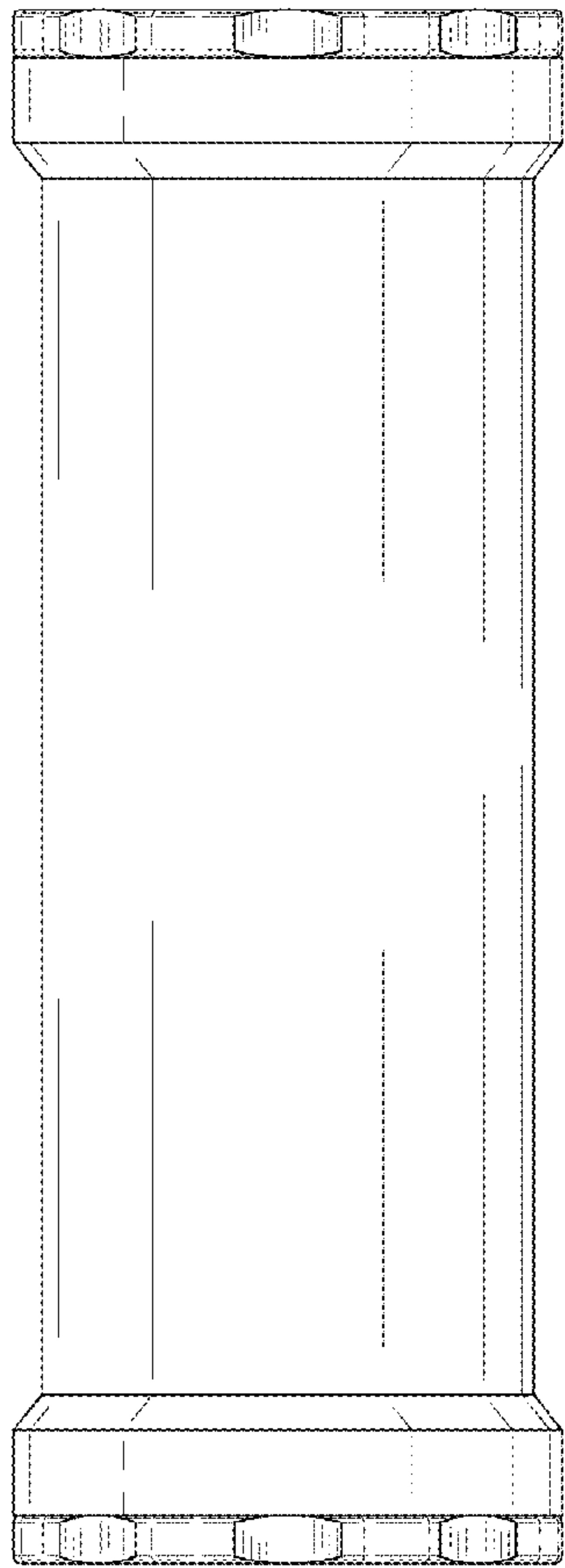
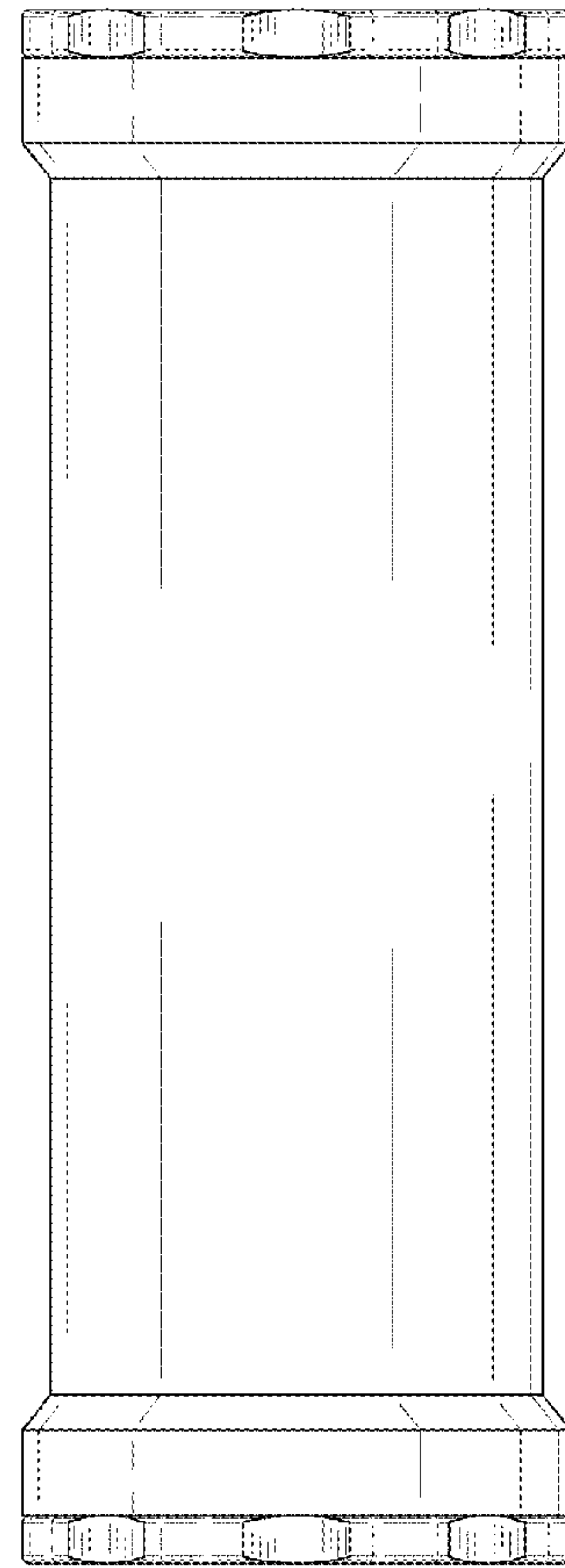


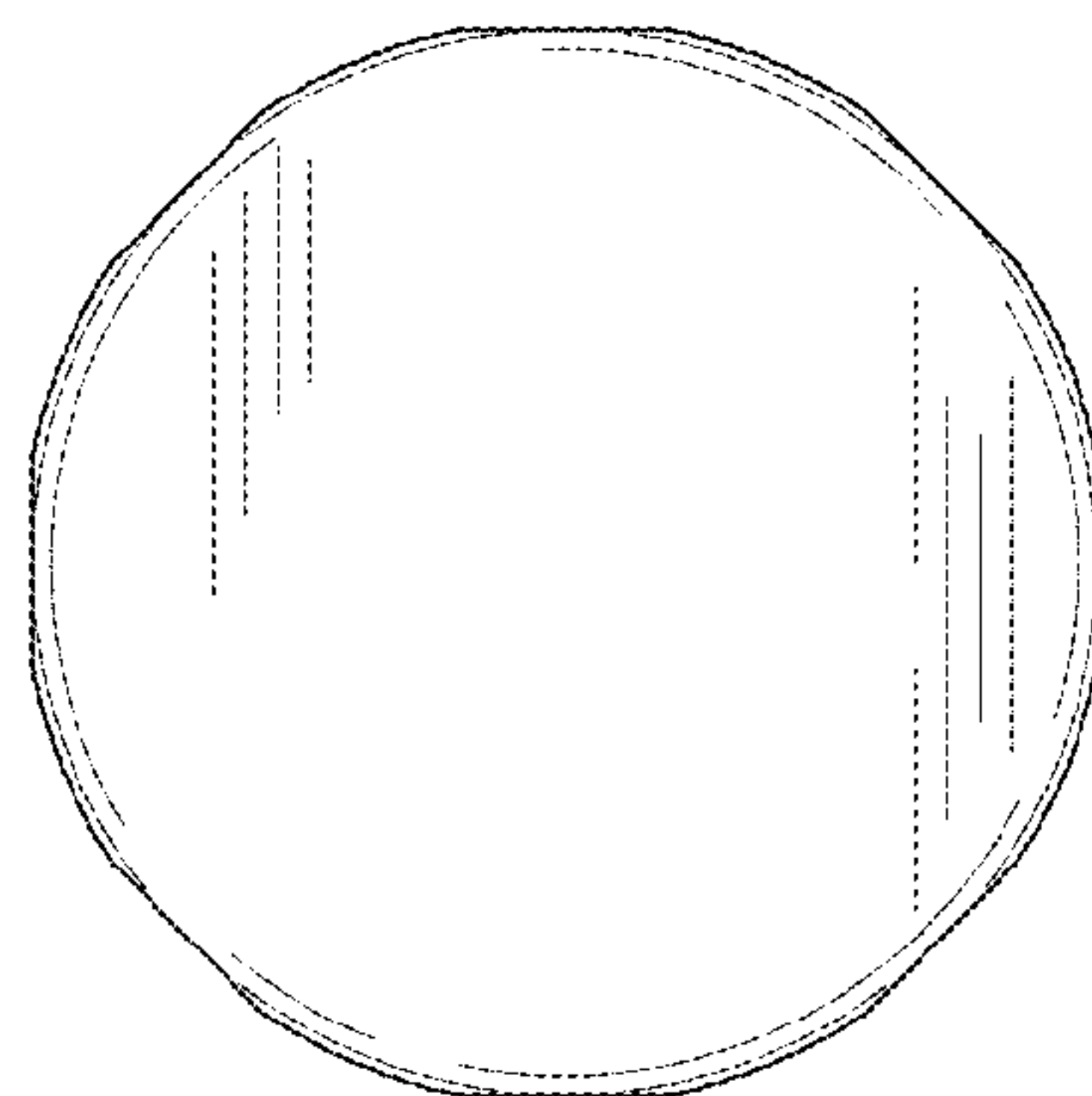
FIG. 1



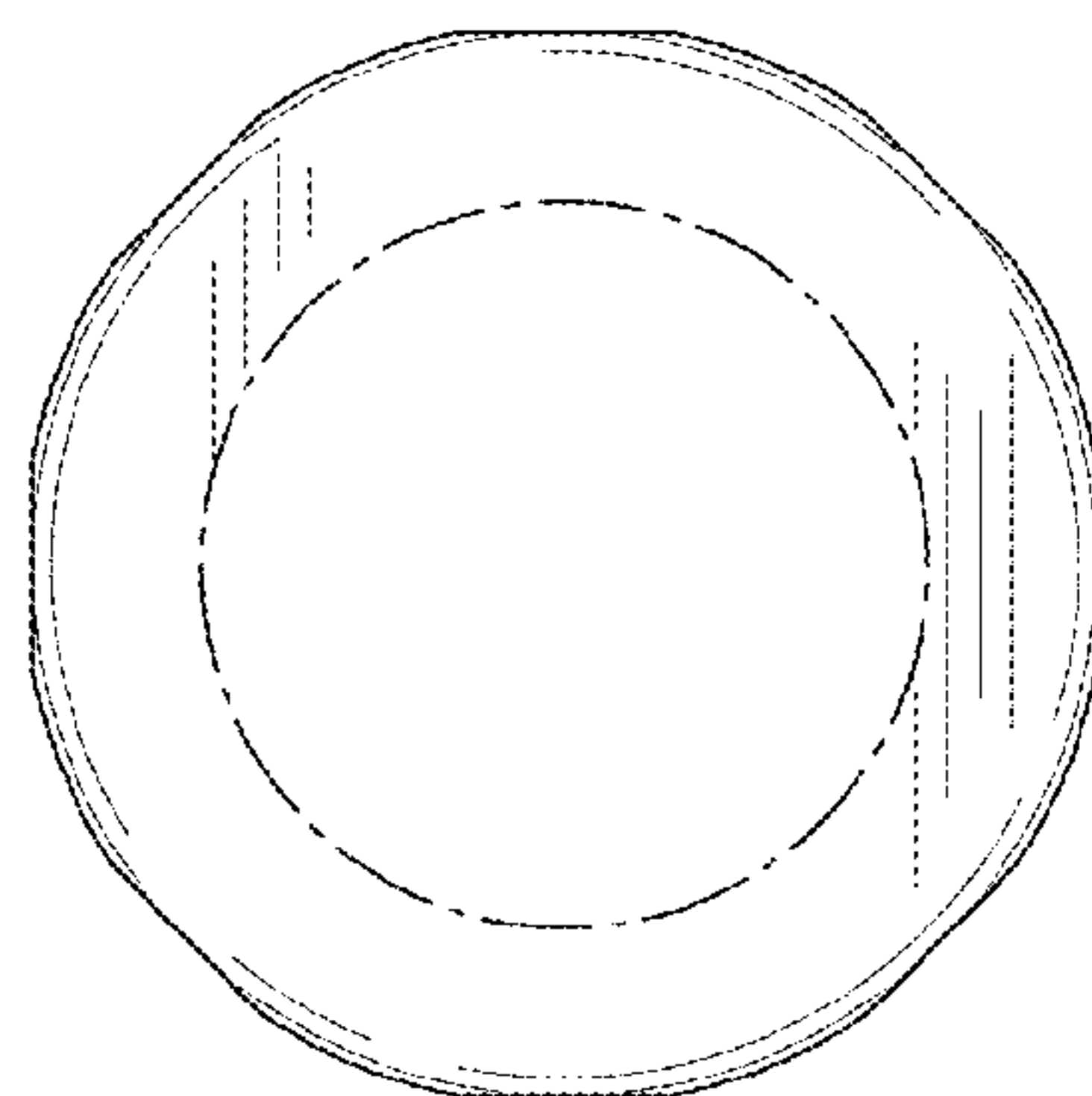
*FIG. 2*



*FIG. 3*



*FIG. 4*



*FIG. 5*