



US00D677831S

(12) **United States Design Patent**
Lin et al.

(10) **Patent No.:** **US D677,831 S**
(45) **Date of Patent:** **** Mar. 12, 2013**

- (54) **LED LENS**
- (71) Applicants: **Chu-Keng Lin**, Miao-Li (TW);
Sung-Hsiang Yang, Miao-Li (TW);
Wei-Chun Yeh, Miao-Li (TW)
- (72) Inventors: **Chu-Keng Lin**, Miao-Li (TW);
Sung-Hsiang Yang, Miao-Li (TW);
Wei-Chun Yeh, Miao-Li (TW)
- (73) Assignee: **Foxsemicon Integrated Technology, Inc.**, Chu-Nan, Miao-Li Hsien (TW)
- (**) Term: **14 Years**
- (21) Appl. No.: **29/433,452**
- (22) Filed: **Sep. 28, 2012**
- (51) **LOC (9) Cl.** **26-99**
- (52) **U.S. Cl.** **D26/120**
- (58) **Field of Classification Search** D26/142,
D26/118, 119, 113, 128, 129, 140, 141, 136,
D26/135, 145, 155, 154, 130, 63, 62, 64,
D26/65, 66, 67, 68, 69, 1, 2, 3, 88, 89, 24,
D26/25, 26, 72, 74, 75, 76, 78, 77, 82, 84,
D26/85, 93, 123, 124, 125; D13/179, 180;
362/393, 145, 396, 194, 195, 196, 362, 326,
362/149, 147, 146, 148, 234, 249.01–249.12,
362/294, 295, 373
See application file for complete search history.

(56) **References Cited**

U.S. PATENT DOCUMENTS

D118,717 S *	1/1940	Alm	D26/120
D367,719 S *	3/1996	Rasmusen	D26/28
D494,288 S *	8/2004	Matsui et al.	D26/2
6,942,360 B2 *	9/2005	Chou et al.	362/238
D529,203 S *	9/2006	Nagai	D26/1
D535,037 S *	1/2007	Kim et al.	D26/1
D541,700 S *	5/2007	Hart et al	D12/42

7,360,923 B2 *	4/2008	Weber-Rabsilber et al.	..	362/241
D597,502 S *	8/2009	Ogata et al.	D13/180
D603,811 S *	11/2009	Son	D13/180
D613,445 S *	4/2010	Beghelli	D26/74
D618,384 S *	6/2010	Chen et al.	D26/120
D624,889 S *	10/2010	Takahashi et al.	D13/180
D629,961 S *	12/2010	Little et al.	D26/120
D636,356 S *	4/2011	Yamada	D13/180
7,918,590 B1 *	4/2011	Li et al.	362/311.02
D638,146 S *	5/2011	Elwell	D26/1
D642,998 S *	8/2011	Lin et al.	D13/180
D647,245 S *	10/2011	Kim et al.	D26/120
8,104,930 B2 *	1/2012	Zhang et al.	362/311.02
D671,675 S *	11/2012	Komarov et al.	D26/120
2002/0067548 A1 *	6/2002	TerHovhannisian	359/627
2006/0087843 A1 *	4/2006	Setomoto et al.	362/249
2007/0023769 A1 *	2/2007	Nishimoto et al.	257/88
2010/0259151 A1 *	10/2010	Chen et al.	313/110

* cited by examiner

Primary Examiner — Kevin Rudzinski

(74) *Attorney, Agent, or Firm* — Altis Law Group, Inc.

(57) **CLAIM**

The ornamental design for an LED lens, as shown and described.

DESCRIPTION

FIG. 1 is a top, perspective view of an LED lens showing our new design.

FIG. 2 is a bottom, perspective view of the LED lens of FIG. 1.

FIG. 3 is a front elevational view of FIG. 1.

FIG. 4 is a rear elevational view of FIG. 1.

FIG. 5 is a left-side, elevational view of FIG. 1.

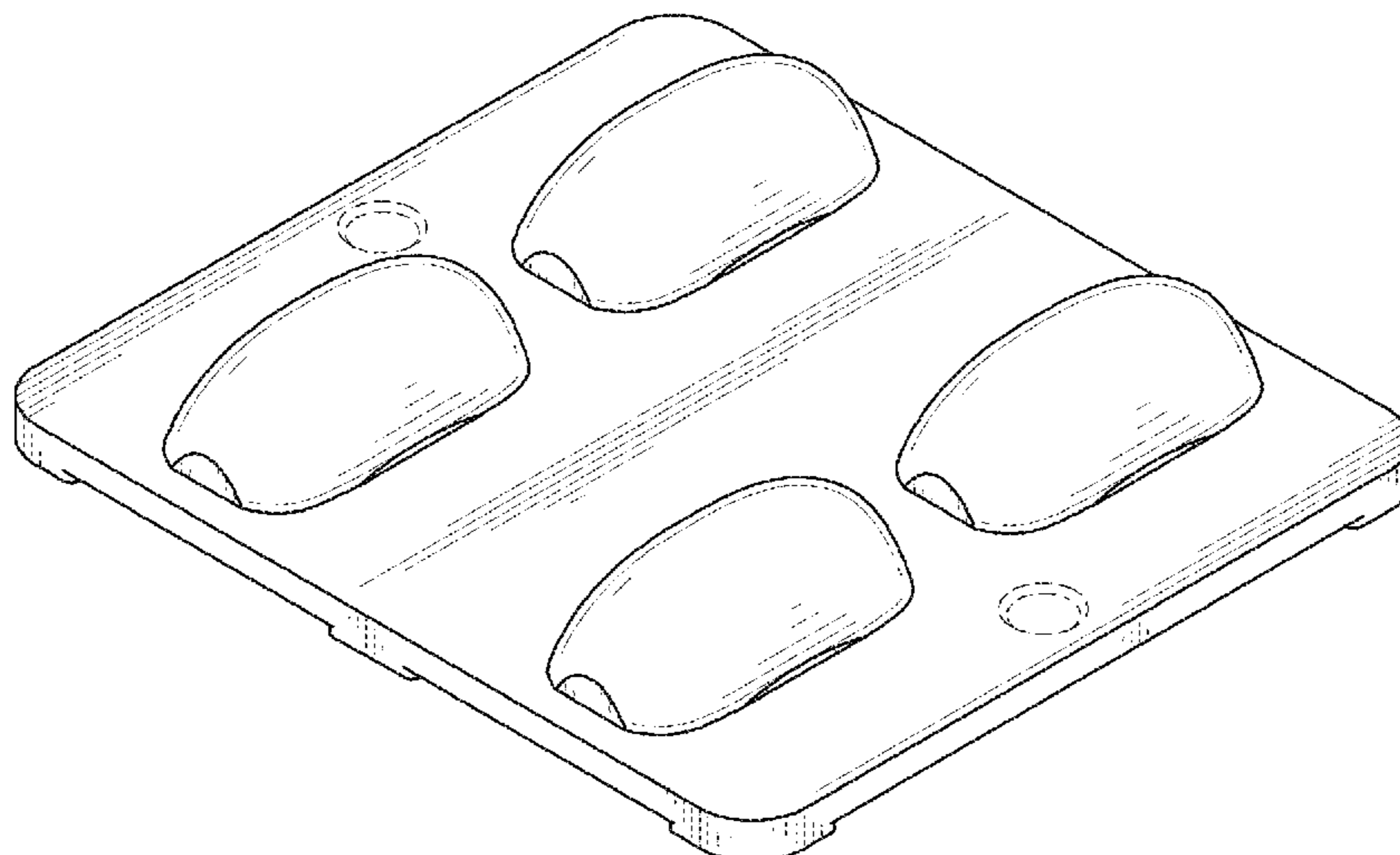
FIG. 6 is a right-side, elevational view of FIG. 1.

FIG. 7 is a top plan view of FIG. 1; and,

FIG. 8 is a bottom plan view of FIG. 1.

The broken lines in FIGS. 1, 2, 7 and 8 illustrate portions of the LED lens that form no part of the claimed design.

1 Claim, 8 Drawing Sheets



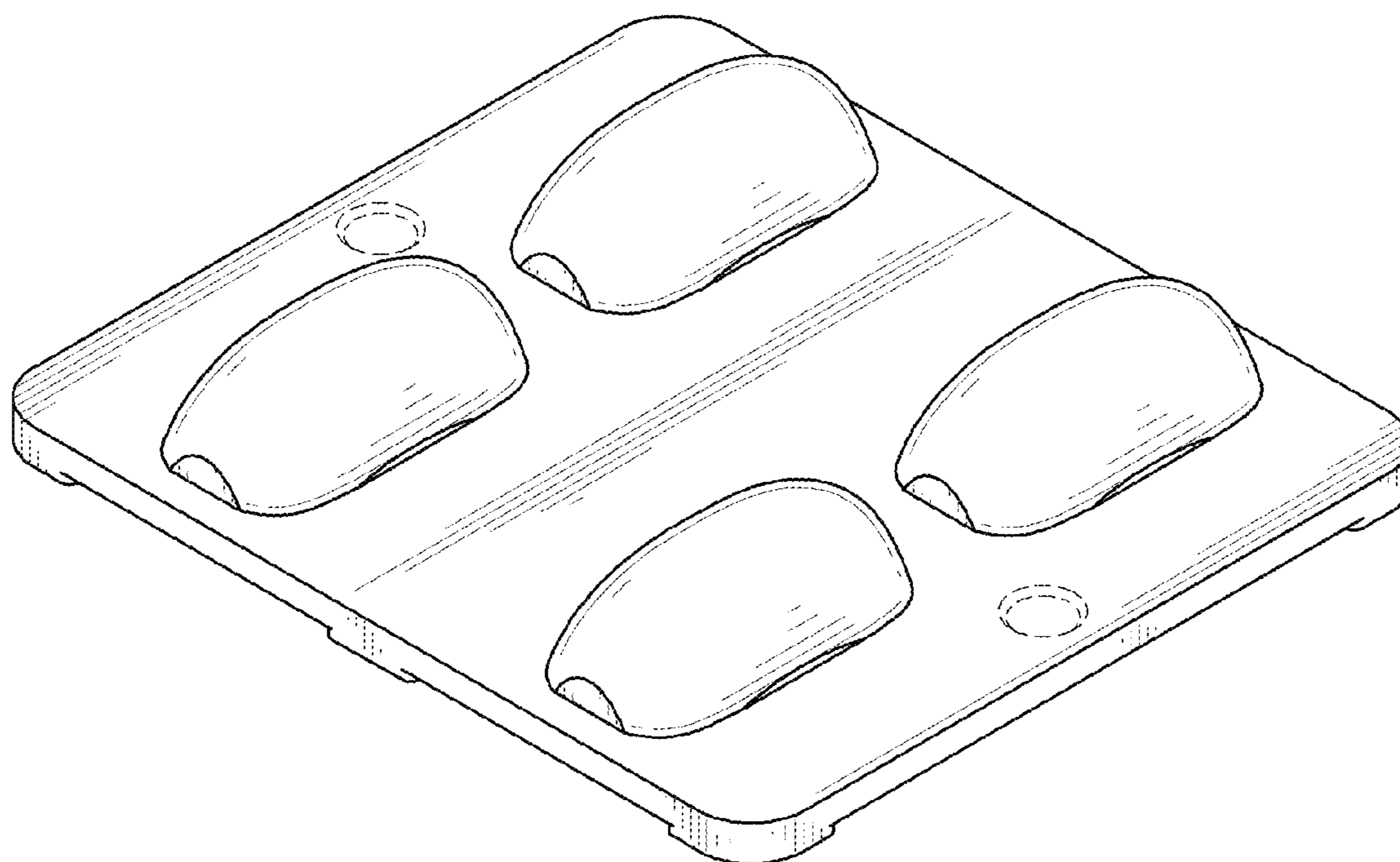


FIG. 1

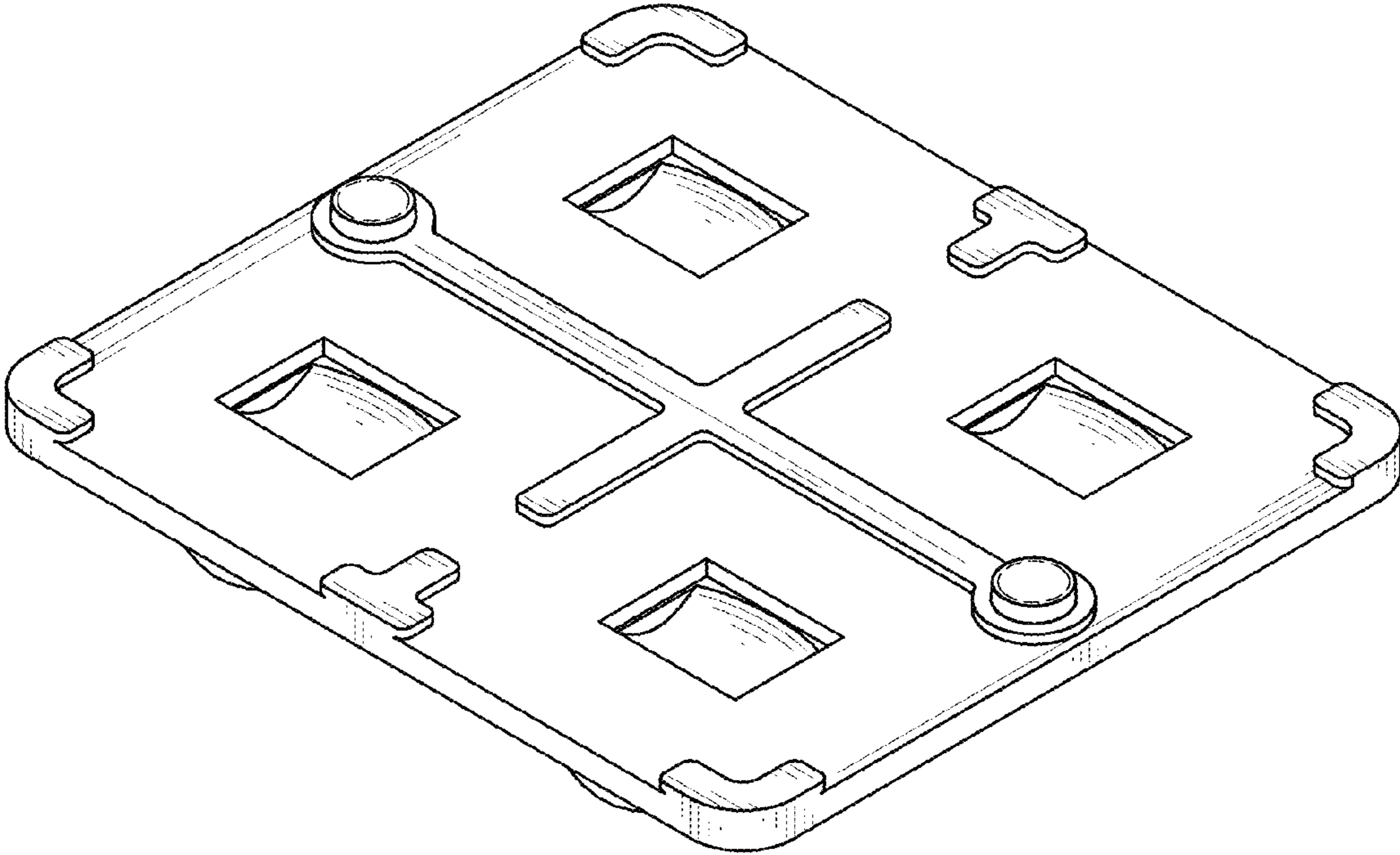


FIG. 2

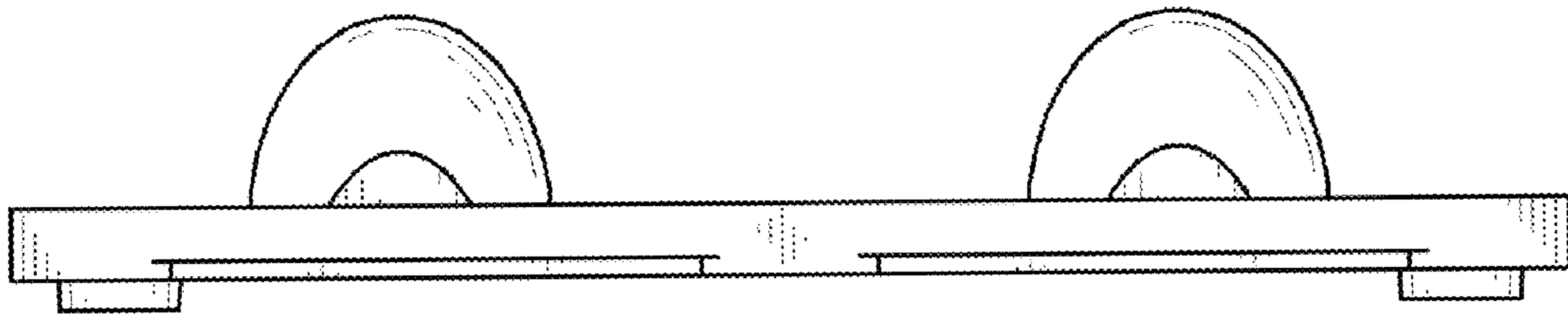


FIG. 3

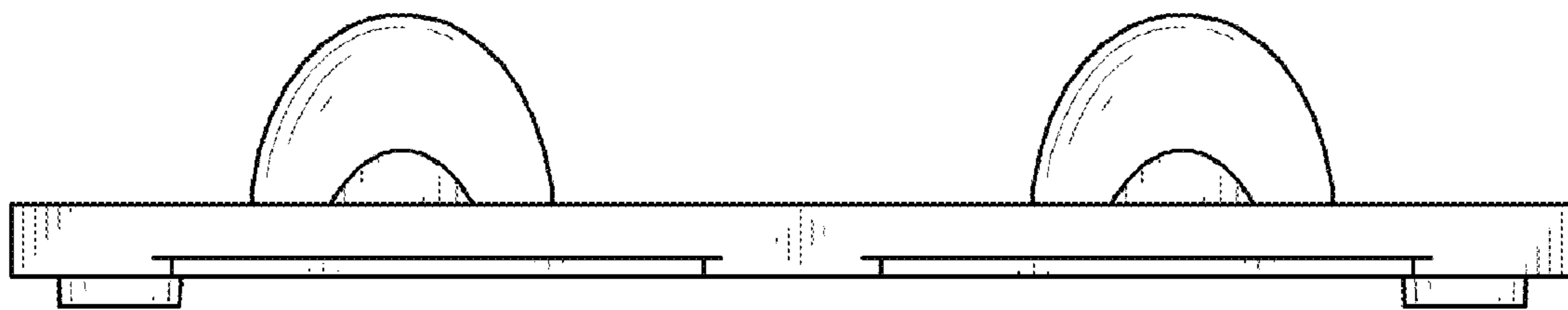


FIG. 4

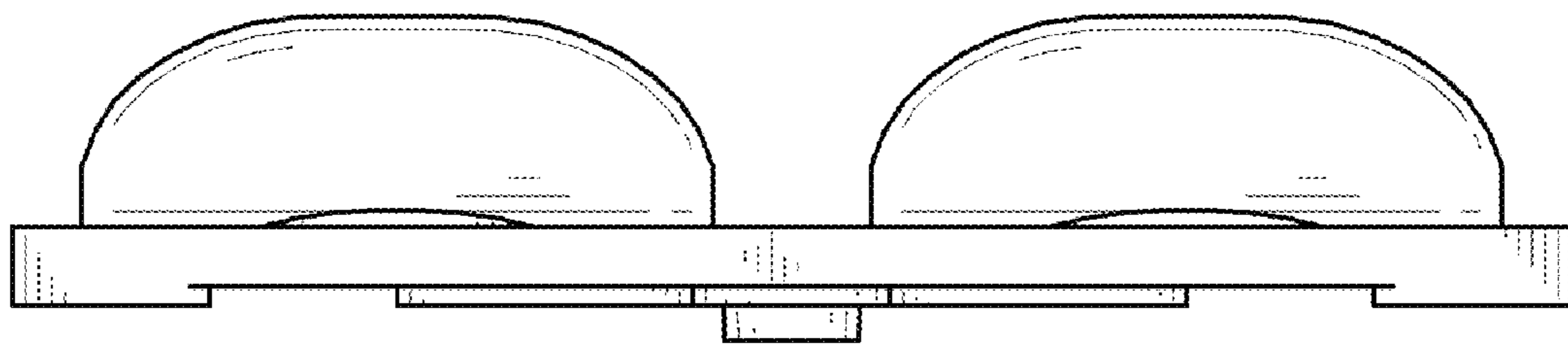


FIG. 5

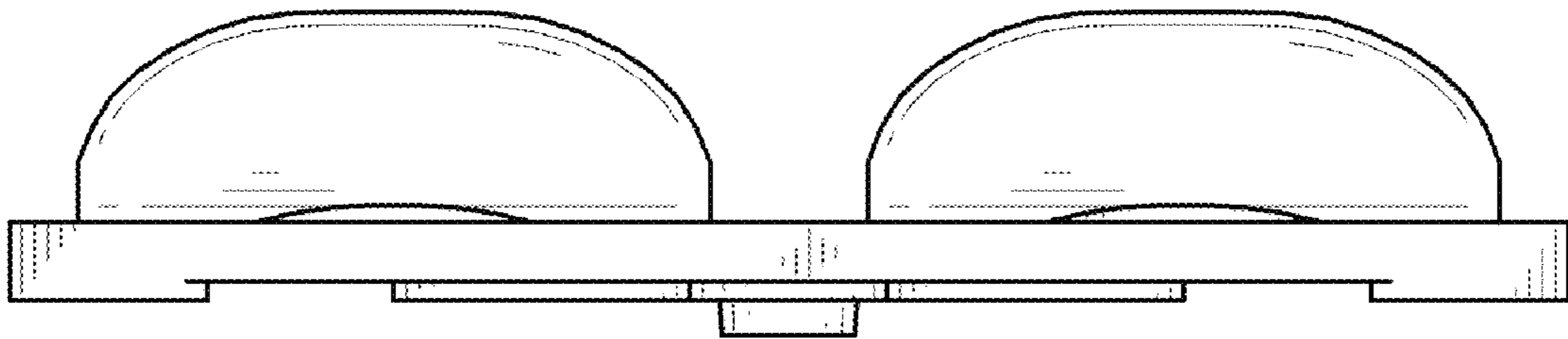


FIG. 6

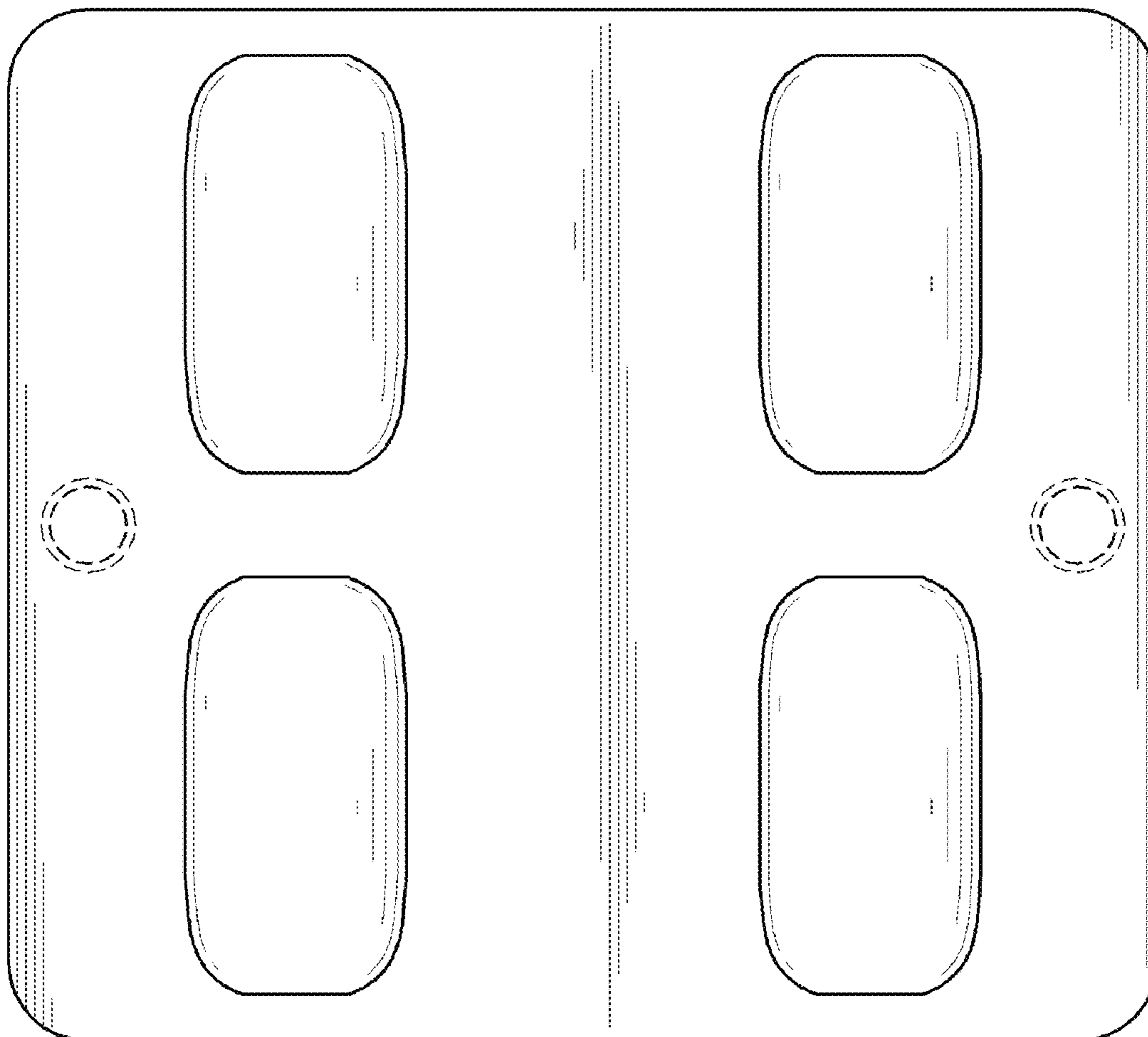


FIG. 7

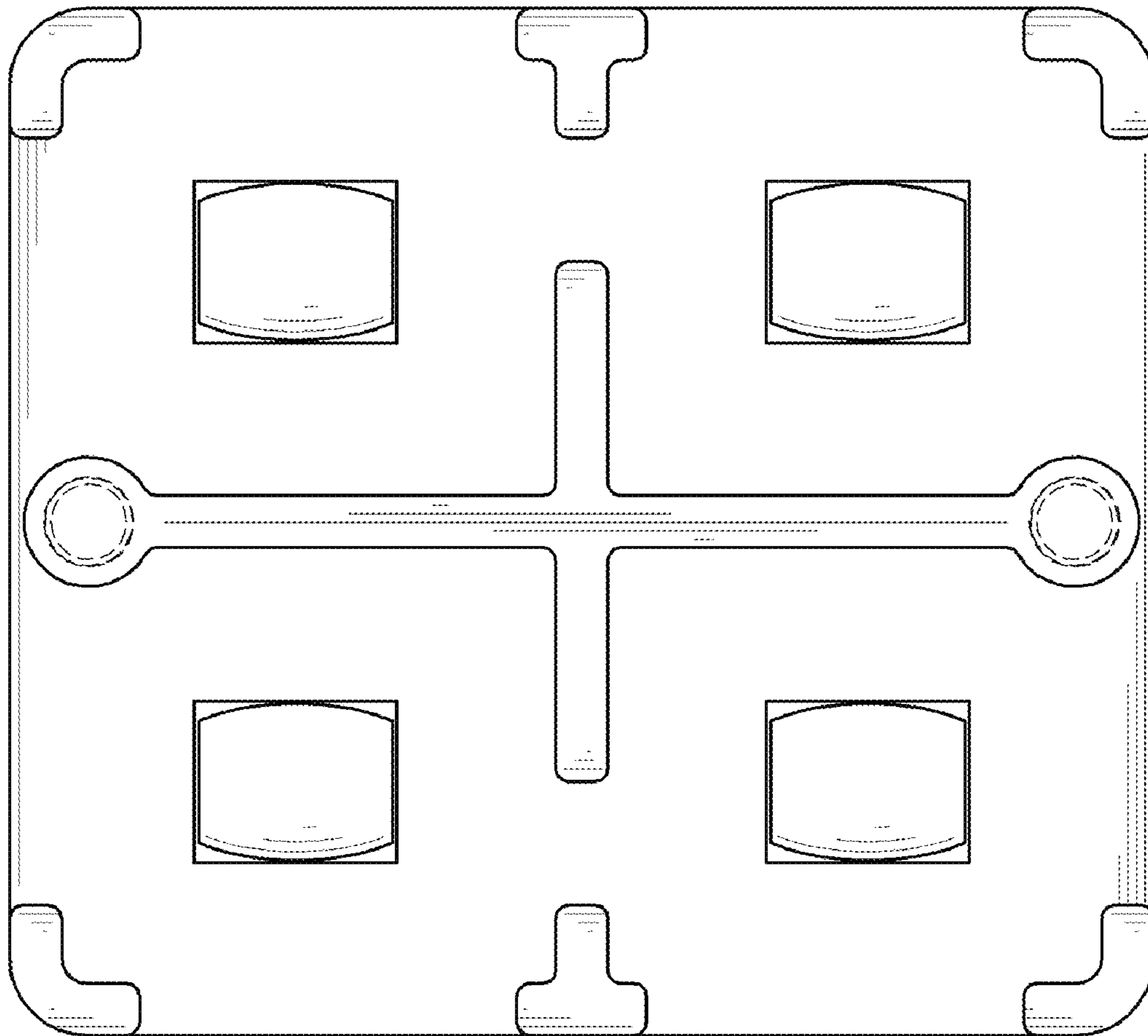


FIG. 8