



US00D677826S

(12) **United States Design Patent**
Bruneel

(10) **Patent No.:** **US D677,826 S**

(45) **Date of Patent:** **** Mar. 12, 2013**

(54) **PATIO LIGHT**

(76) Inventor: **Jean Julien Bruneel**, Kowloon (HK)

(**) Term: **14 Years**

(21) Appl. No.: **29/398,743**

(22) Filed: **Aug. 3, 2011**

(30) **Foreign Application Priority Data**

Apr. 20, 2011 (EM) 001 853 813

(51) **LOC (9) Cl.** **26-03**

(52) **U.S. Cl.** **D26/93**

(58) **Field of Classification Search** D26/1,
D26/24, 67, 93-94, 101, 104-110, 113, 118,
D26/11; 362/3, 153, 186, 217, 255, 257,
362/277, 317, 351, 353, 362, 363, 382, 431,
362/433, 458, 806

See application file for complete search history.

(56) **References Cited**

U.S. PATENT DOCUMENTS

D194,944 S *	4/1963	Frazier, Jr.	D26/11
D529,220 S *	9/2006	Izardel	D26/94
D563,594 S *	3/2008	Held	D26/118
D629,150 S *	12/2010	Douloubakas	D26/93
D650,511 S *	12/2011	Hine et al.	D26/93

* cited by examiner

Primary Examiner — Brian N Vinson

(74) *Attorney, Agent, or Firm* — George G. Wang; Bei & Ocean

(57) **CLAIM**

The ornamental design for a patio light, as shown and described.

DESCRIPTION

FIG. 1 is a perspective view of a patio light showing my new design in an extended position;

FIG. 2 is a perspective view thereof, in a compressed position;

FIG. 3 is a top plan view thereof, in an extended position, the bottom plan view being identical in appearance;

FIG. 4 is a side elevational view thereof in an extended position;

FIG. 5 is a top view plan view thereof, in a compressed position;

FIG. 6 is a bottom view thereof, in a compressed position; and,

FIG. 7 is a side elevational view thereof in a compressed position.

1 Claim, 7 Drawing Sheets

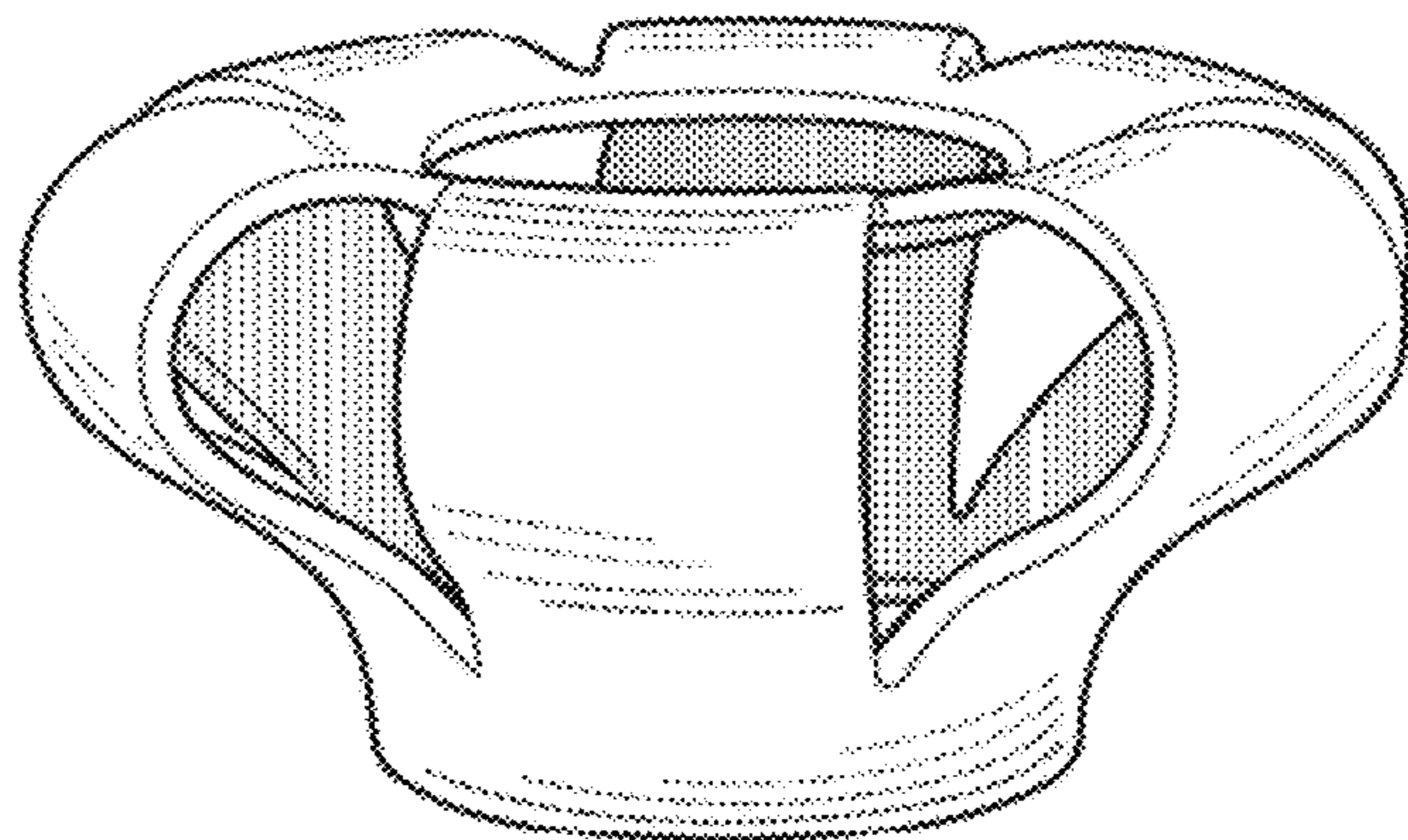
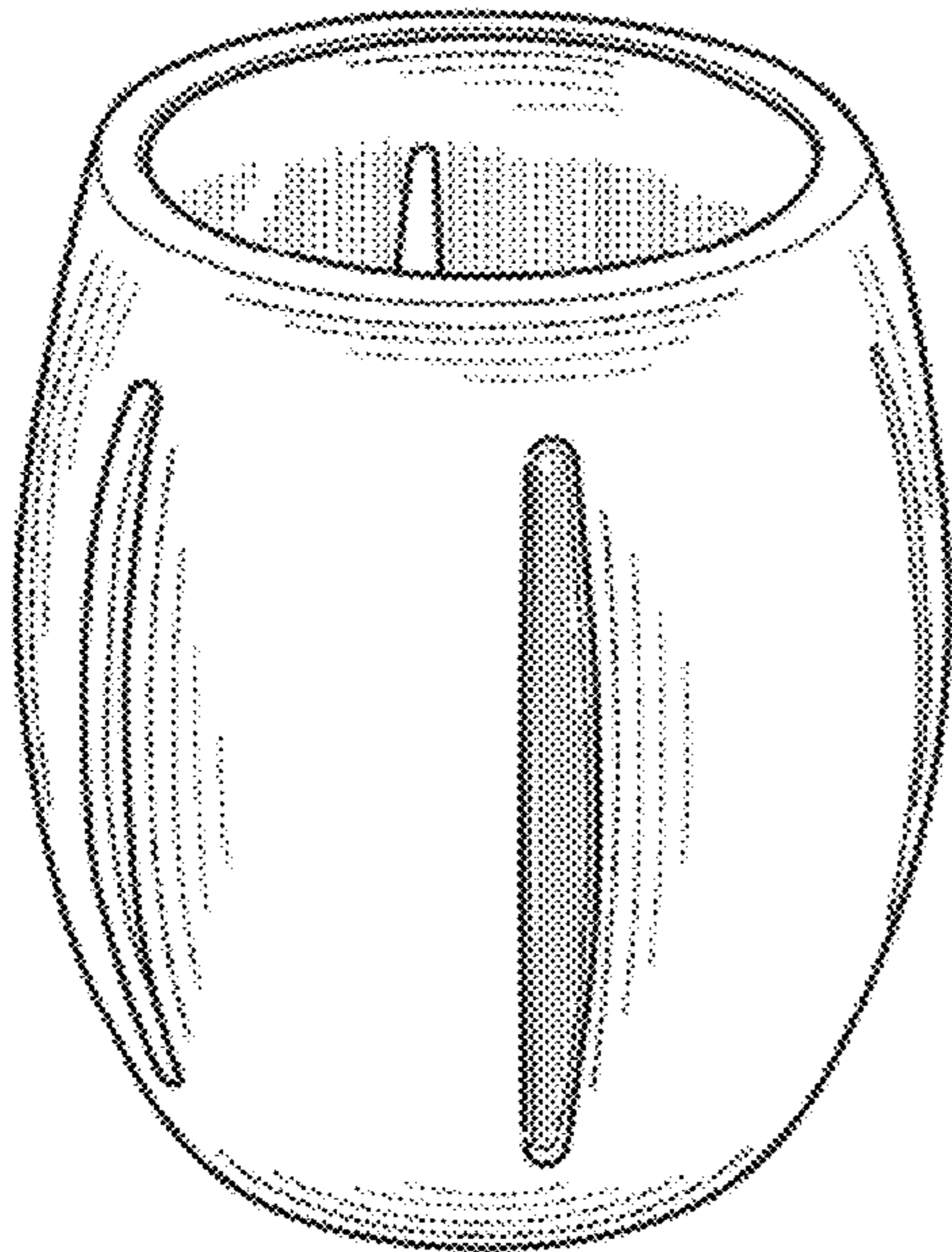


FIG. 1

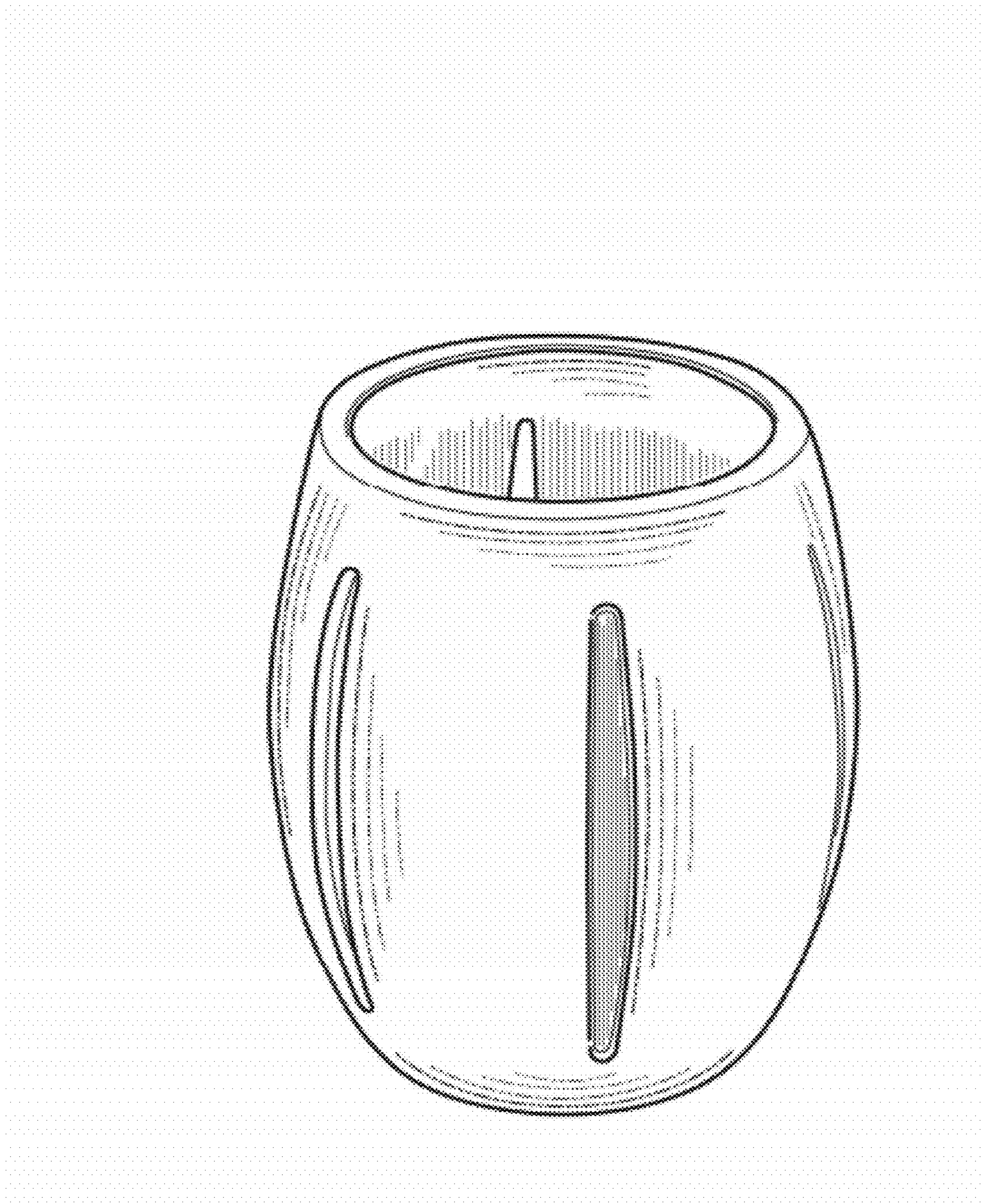


FIG. 2

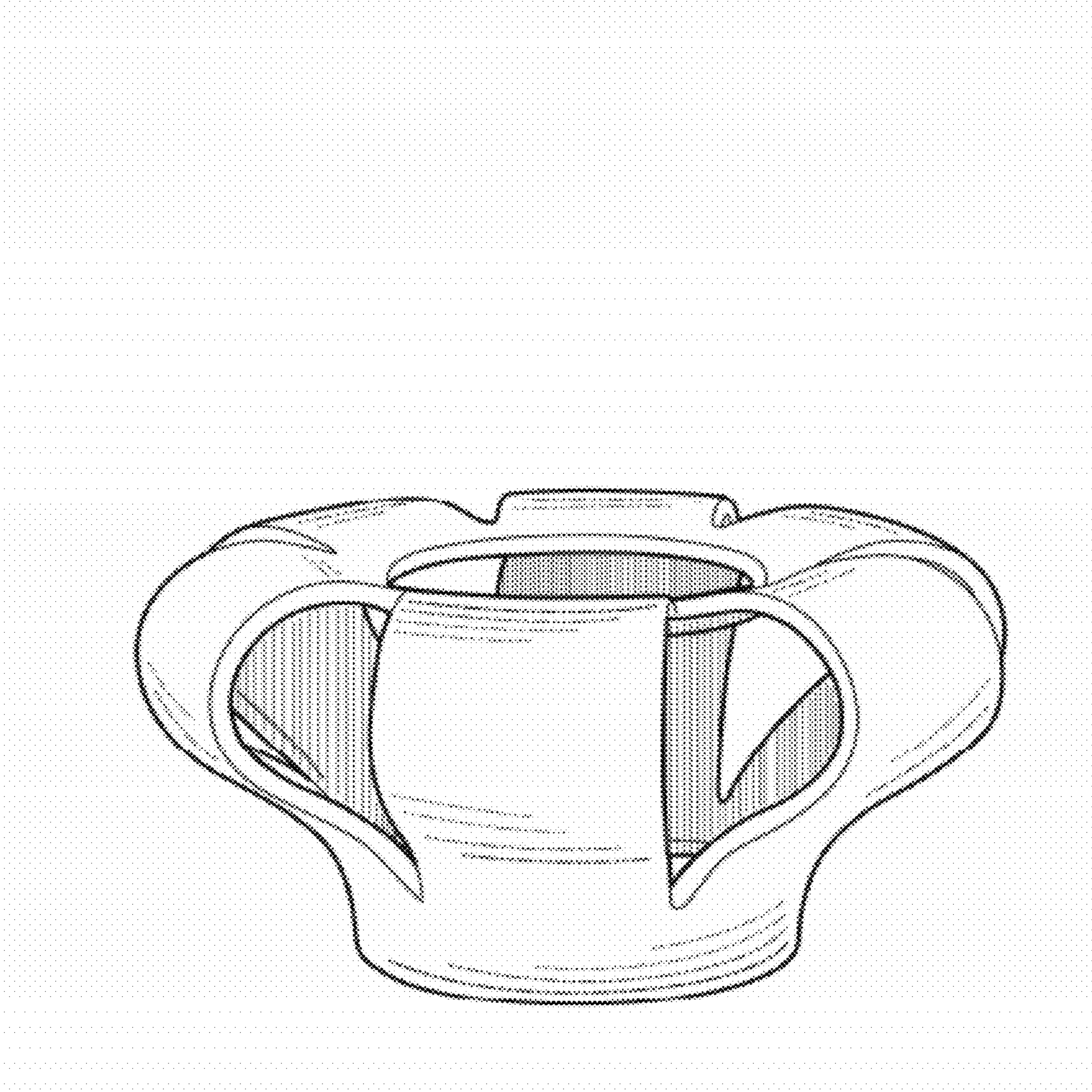


FIG. 3

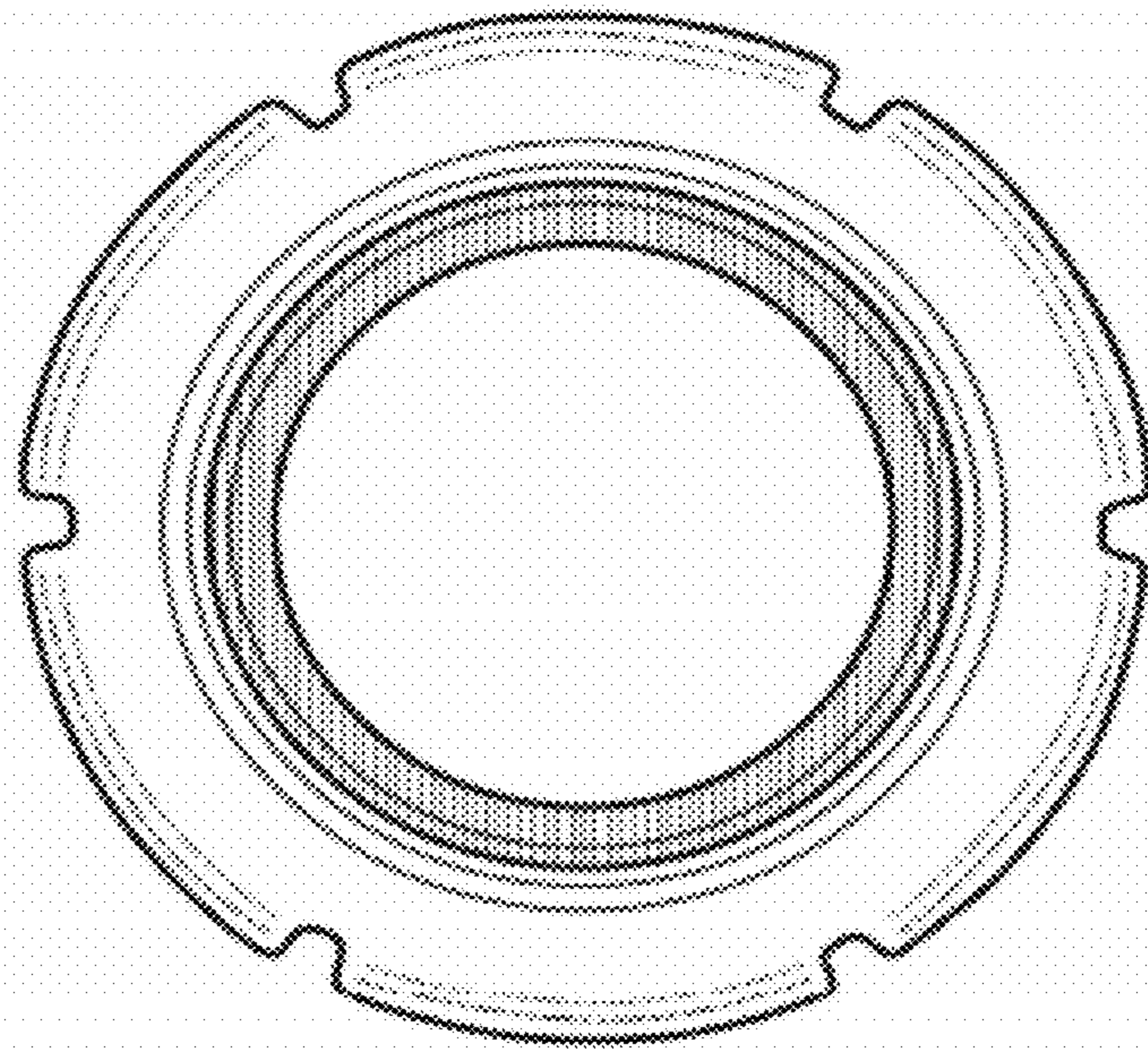


FIG. 4

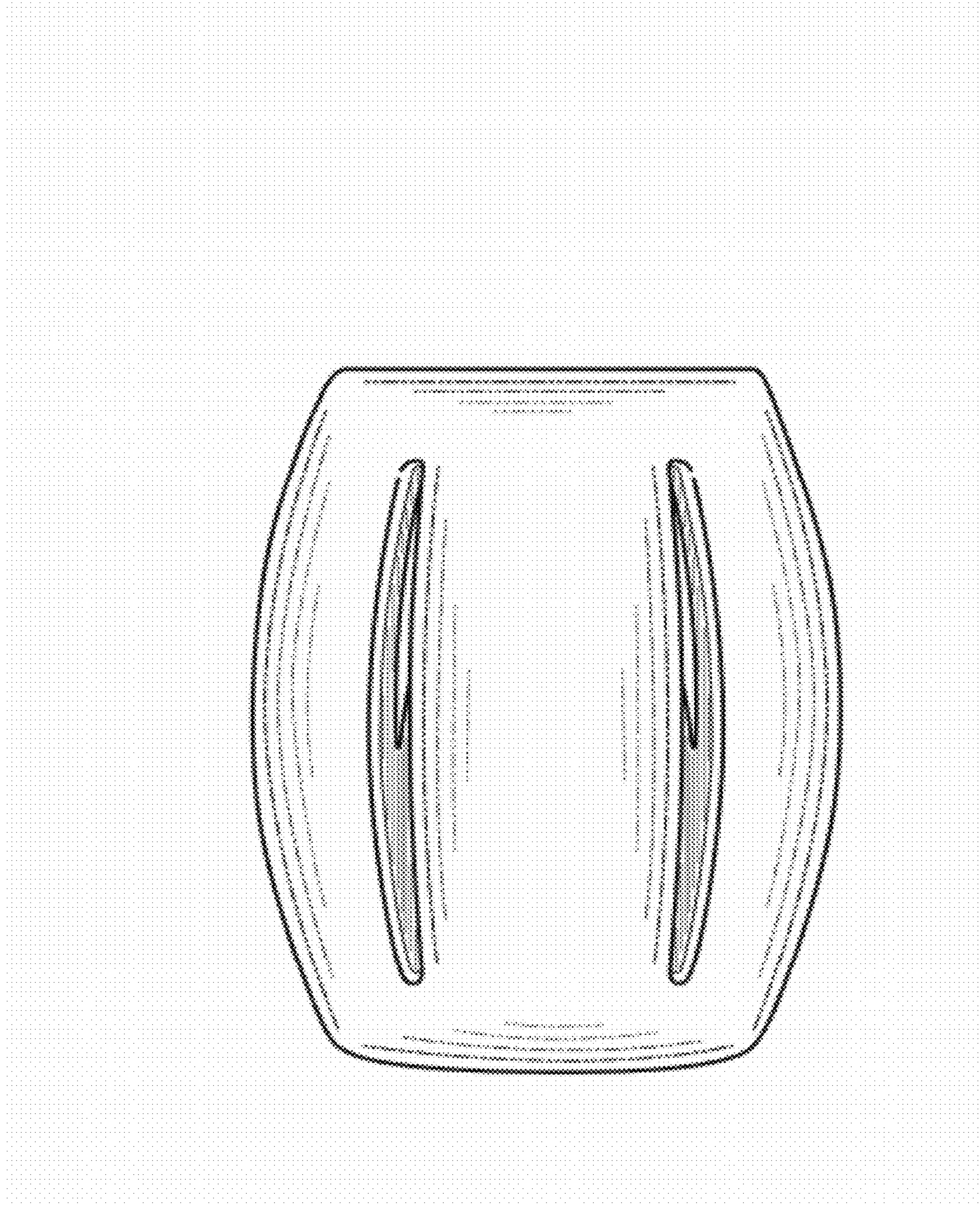


FIG. 5

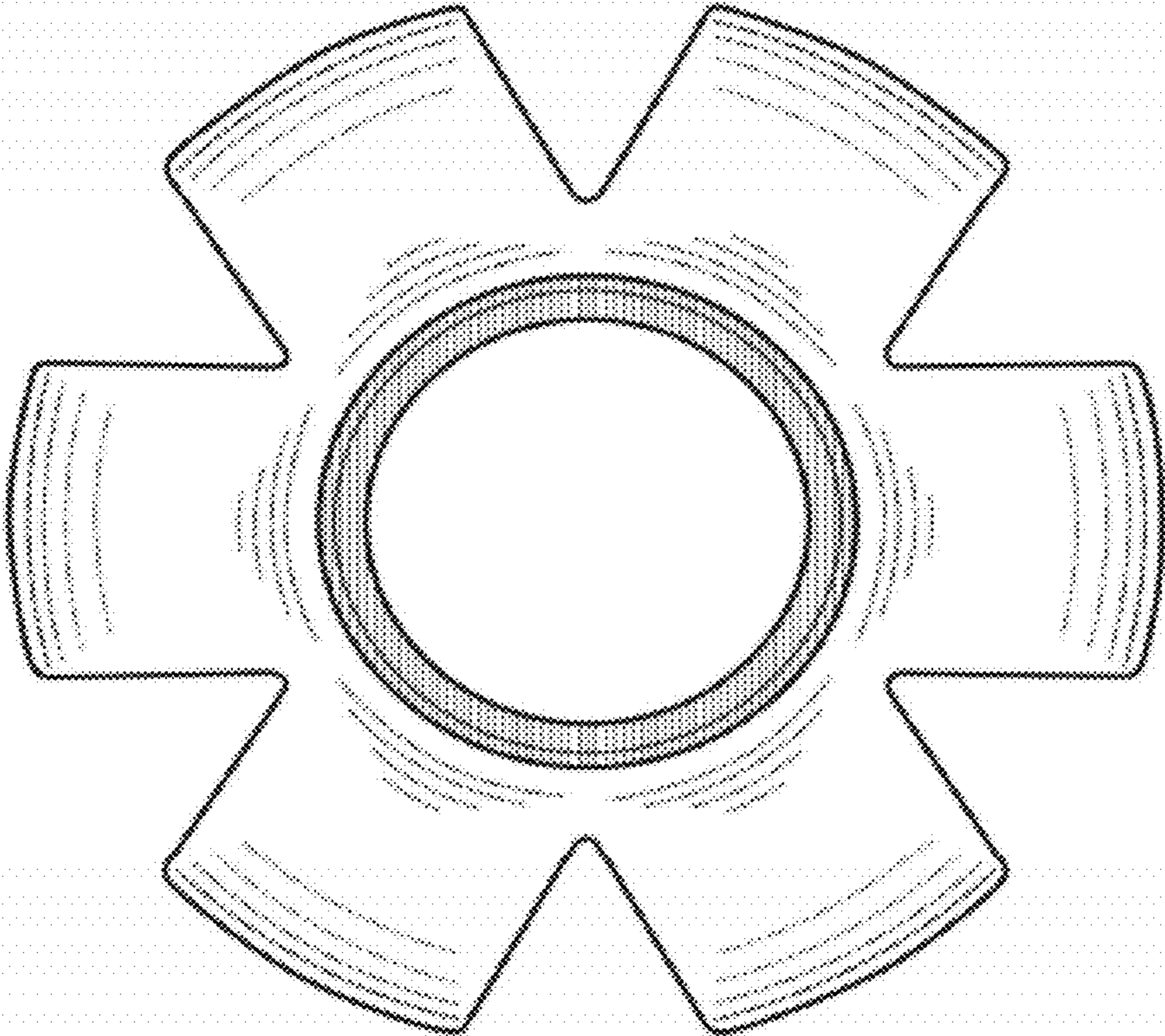


FIG. 6

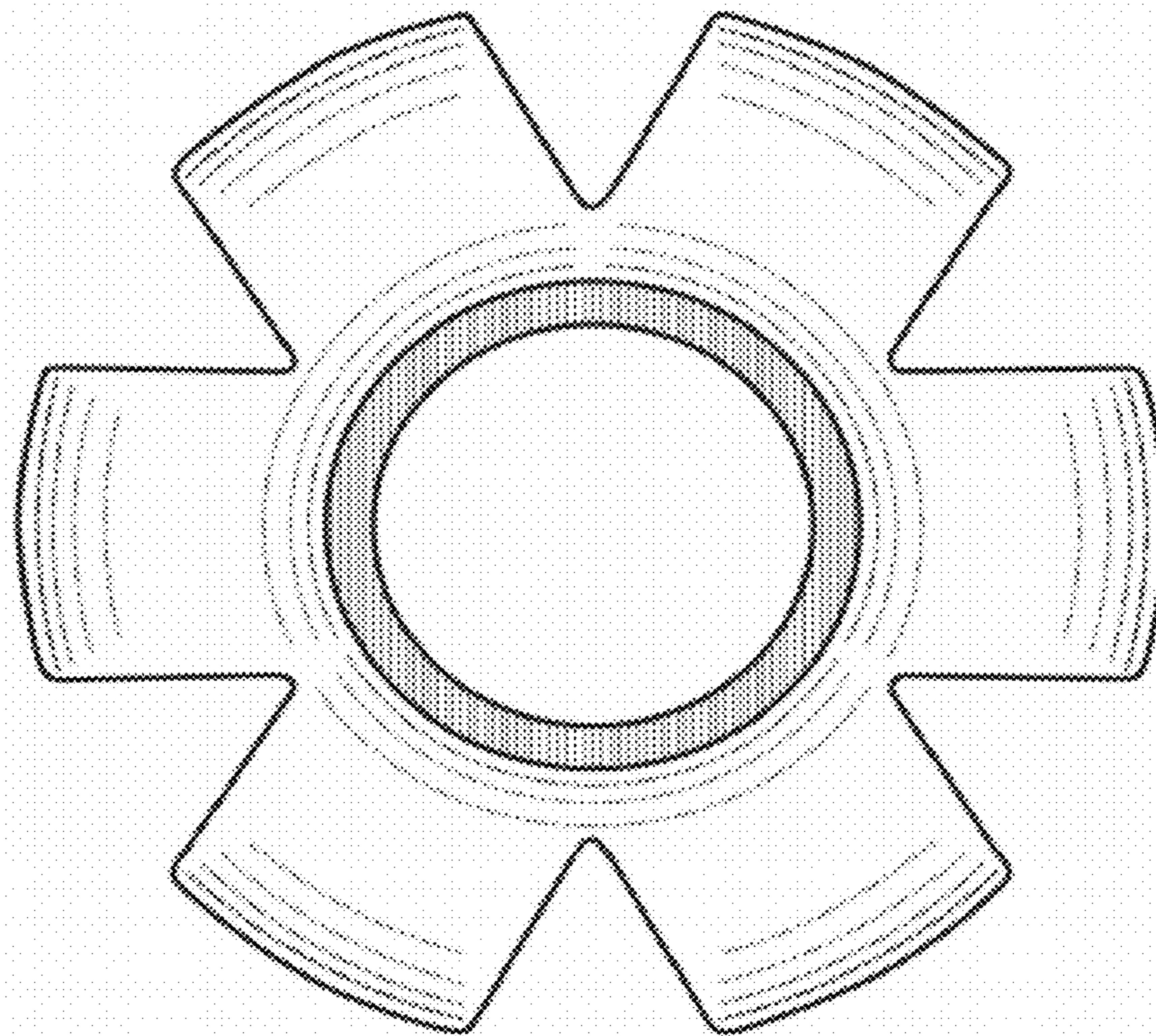


FIG. 7

