



US00D677825S

(12) **United States Design Patent**
Collins et al.

(10) **Patent No.:** **US D677,825 S**
(45) **Date of Patent:** **** Mar. 12, 2013**

(54) **LIGHT FIXTURE**

(75) Inventors: **Patrick A. Collins**, Conyers, GA (US); **Long D. Tran**, Austin, TX (US); **Daniel Edward Sicking**, Lawrenceville, GA (US); **Thomas Edward Harris**, Oxford, GA (US); **John T. Hickok**, Social Circle, GA (US); **Michael R. Miller**, Conyers, GA (US)

(73) Assignee: **ABL IP Holding LLC**, Conyers, GA (US)

(**) Term: **14 Years**

(21) Appl. No.: **29/430,048**

(22) Filed: **Aug. 21, 2012**

Related U.S. Application Data

(62) Division of application No. 29/404,713, filed on Oct. 25, 2011.

(51) **LOC (9) Cl.** **26-03**

(52) **U.S. Cl.** **D26/89; D26/86**

(58) **Field of Classification Search** D26/75-78, D26/80, 86, 87, 92; 362/133, 217.01, 217.02, 362/217.04, 217.05, 217.06, 217.07, 217.1, 362/218, 294, 373, 432

See application file for complete search history.

(56) **References Cited**

U.S. PATENT DOCUMENTS

D125,001 S 2/1941 Klingsick
D133,216 S 7/1942 Parlato
D134,531 S 12/1942 Kotcher
2,379,798 A 7/1945 Guth
D147,905 S 11/1947 Holmes

D186,329 S 10/1959 Guth, Jr.
D193,802 S 10/1962 Thomsen et al.
D202,648 S 10/1965 Myer et al.
3,247,368 A 4/1966 McHugh
D255,941 S 7/1980 Grant

(Continued)

Primary Examiner — Clare E Heflin

(74) *Attorney, Agent, or Firm* — Kilpatrick Townsend & Stockton LLP

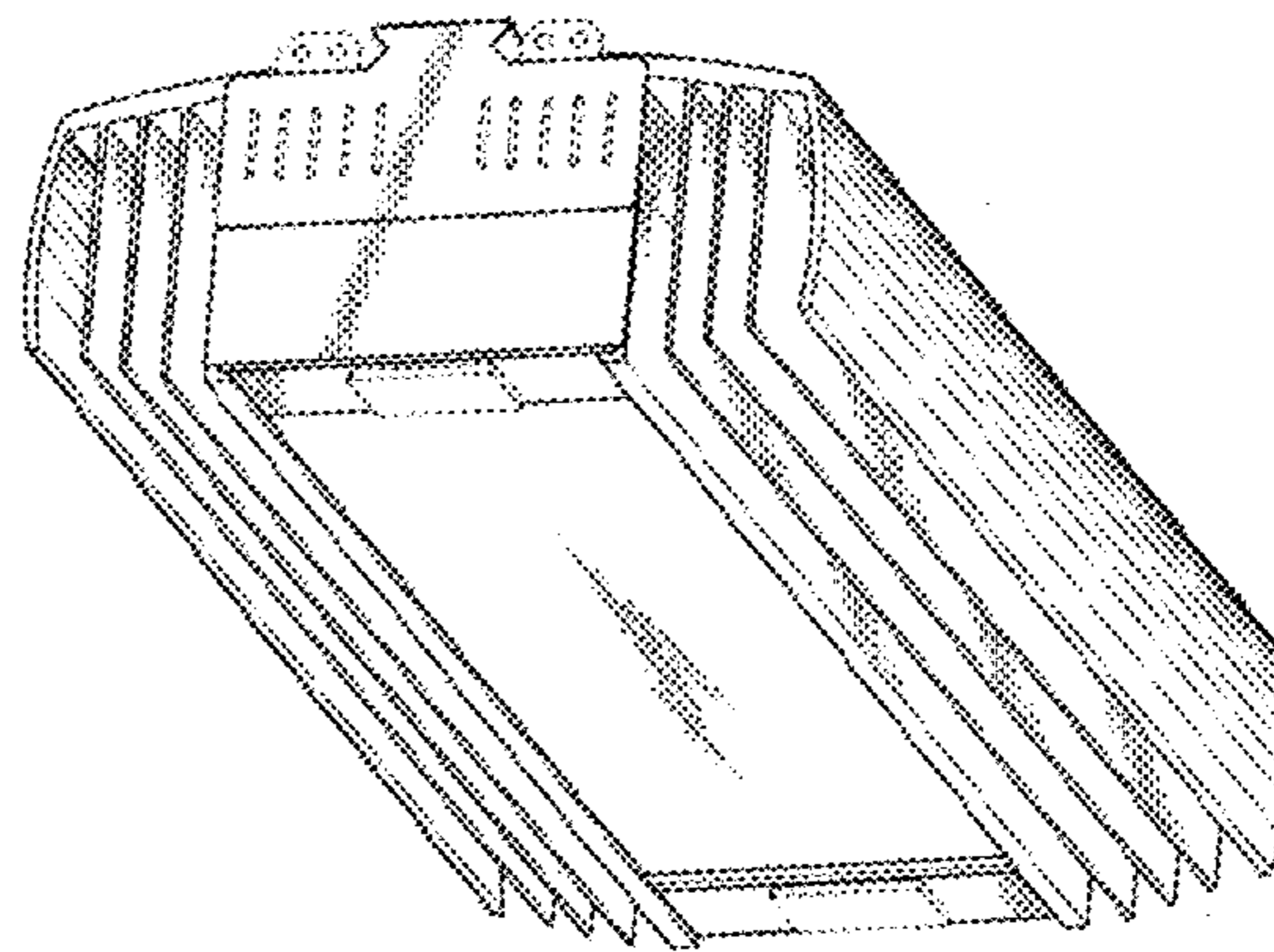
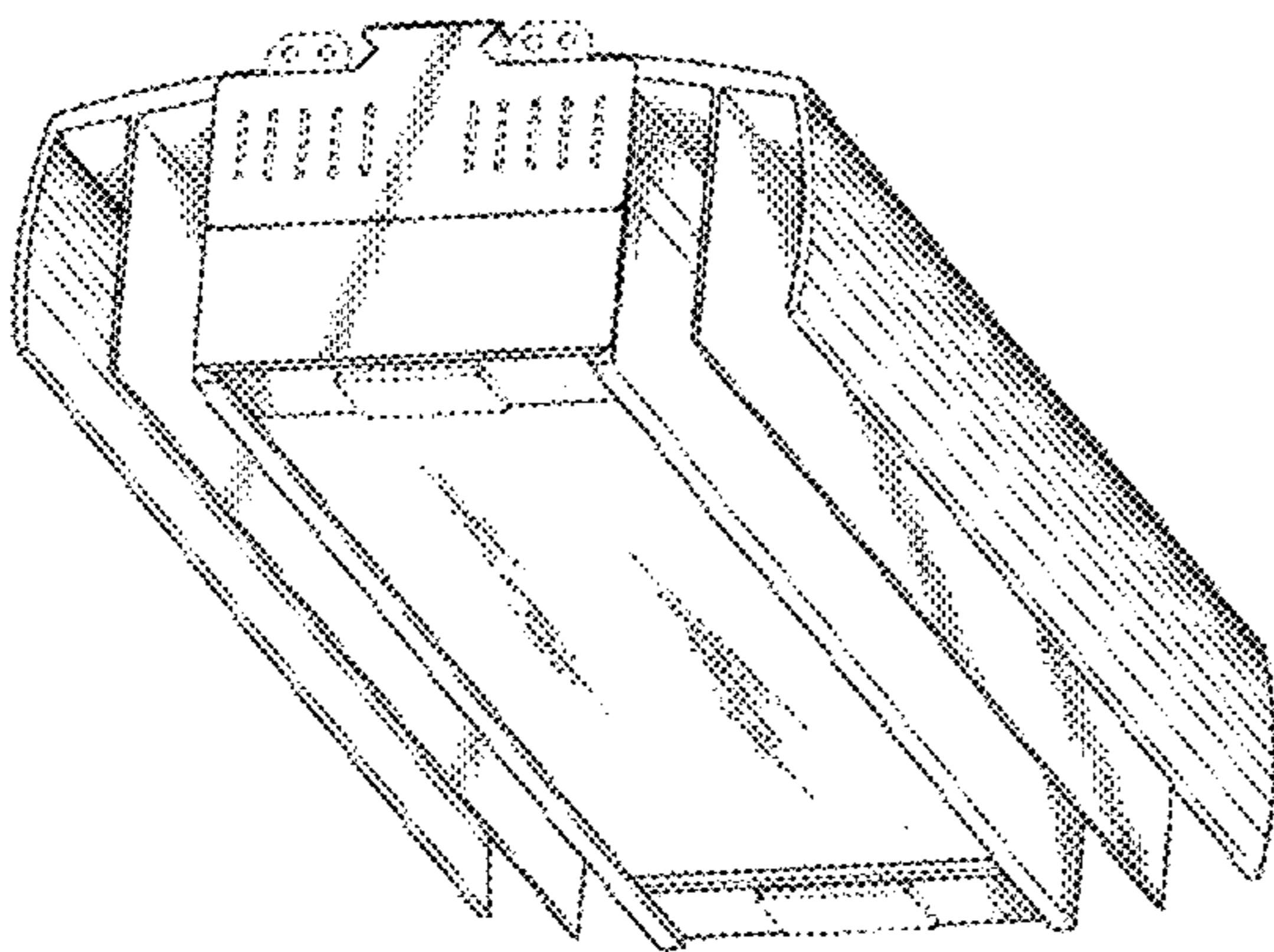
(57) **CLAIM**

The ornamental design for a light fixture, as shown and described.

DESCRIPTION

FIG. 1 is a perspective view of a light fixture.
FIG. 2 is a right side view of the light fixture of FIG. 1.
FIG. 3 is a left side view of the light fixture of FIG. 1.
FIG. 4 is a front end view of the light fixture of FIG. 1.
FIG. 5 is a rear end view of the light fixture of FIG. 1.
FIG. 6 is a bottom view of the light fixture of FIG. 1.
FIG. 7 is a perspective view of a light fixture.
FIG. 8 is a right side view of the light fixture of FIG. 7.
FIG. 9 is a left side view of the light fixture of FIG. 7.
FIG. 10 is a front end view of the light fixture of FIG. 7.
FIG. 11 is a rear end view of the light fixture of FIG. 7.
FIG. 12 is a bottom view of the light fixture of FIG. 7.
FIG. 13 is a perspective view of a light fixture.
FIG. 14 is a right side view of the light fixture of FIG. 13.
FIG. 15 is a left side view of the light fixture of FIG. 13.
FIG. 16 is a front end view of the light fixture of FIG. 13.
FIG. 17 is a rear end view of the light fixture of FIG. 13; and, FIG. 18 is a bottom view of the light fixture of FIG. 13.
Portions or features of the light fixture not shown in the drawings form no part of the claimed design. The broken lines in the drawings form no part of the claimed design.

1 Claim, 12 Drawing Sheets



US D677,825 S

Page 2

U.S. PATENT DOCUMENTS							
D257,644	S	12/1980	Gecchelin	7,011,428	B1	3/2006	Hand
4,499,529	A	2/1985	Figuroa	D545,485	S	6/2007	Hargreaves
D286,445	S	10/1986	Sink	D545,996	S	7/2007	Hargreaves
D294,648	S	3/1988	Platner	D550,391	S	9/2007	Cesaro
D294,737	S	3/1988	Platner	D558,382	S	12/2007	Cesaro
D294,738	S	3/1988	Platner	7,347,606	B1	3/2008	Patten
D311,589	S	10/1990	Benchimol et al.	D567,002	S	4/2008	Allsopp
5,132,885	A	7/1992	Hocheim et al.	D569,026	S	5/2008	Silver
D340,308	S	10/1993	Miranda	D590,099	S	4/2009	Maxik et al.
D357,090	S	4/1995	Hamrin	D604,446	S	11/2009	Fowler, Jr. et al.
D397,819	S	9/1998	Thorton, Jr.	7,677,768	B2	3/2010	Huang et al.
D430,339	S	8/2000	Reo	D616,138	S	5/2010	Lasthein et al.
D444,262	S	6/2001	Eberlein et al.	D621,989	S	8/2010	Proner
D459,014	S	6/2002	Chen	D632,006	S	2/2011	Verfuert et al.
D472,668	S	4/2003	Herst et al.	D636,524	S	4/2011	Lin
D494,307	S	8/2004	Yu et al.	D646,014	S	9/2011	Hsieh
D497,026	S	10/2004	Hand	D648,478	S	11/2011	Yu
D505,221	S	5/2005	Hetfield	D650,508	S	12/2011	Wassel et al.
D513,439	S	1/2006	Hetfield	2008/0080189	A1	4/2008	Wang
				2009/0251898	A1	10/2009	Kinnune et al.

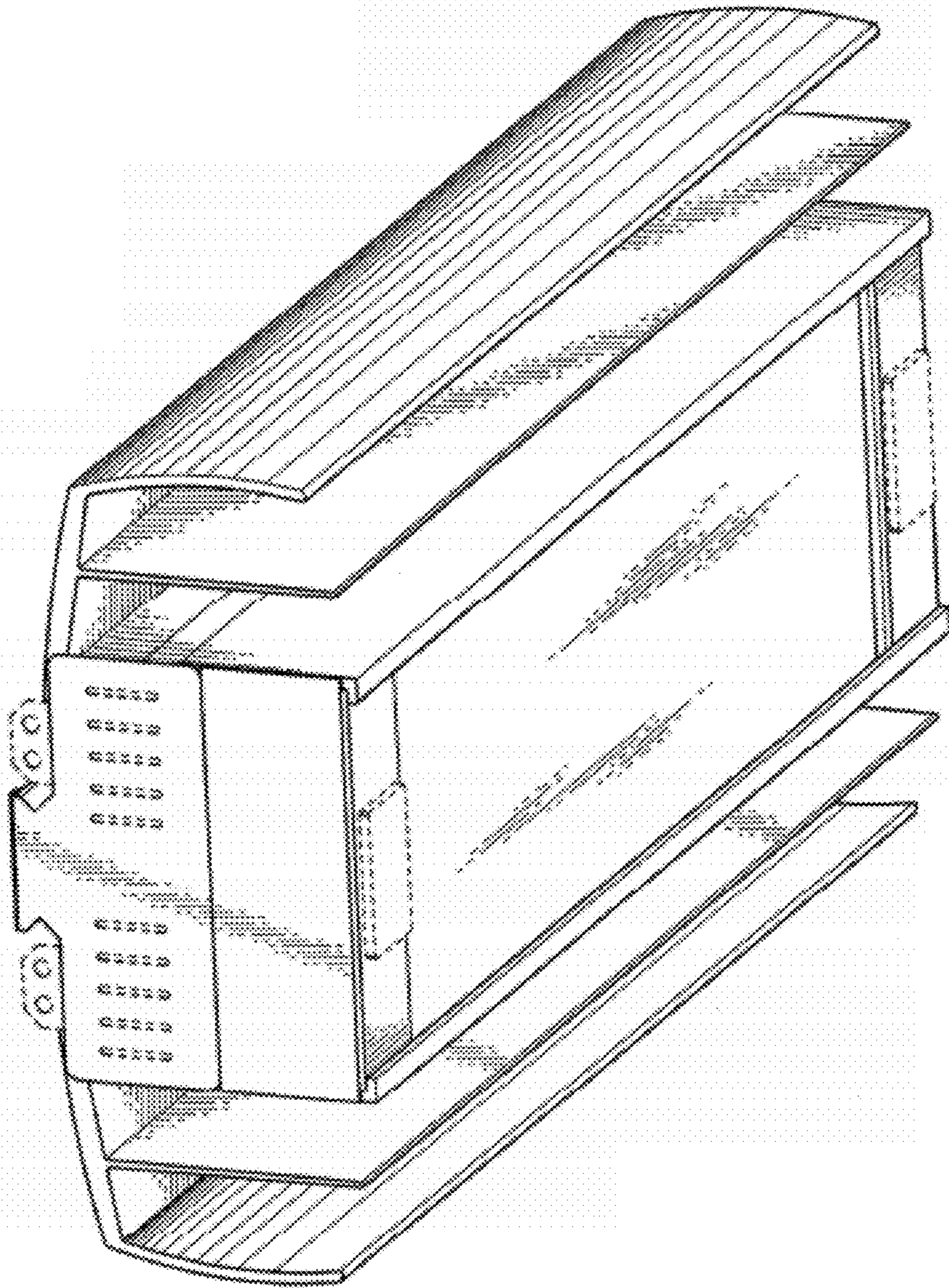


FIG. 1

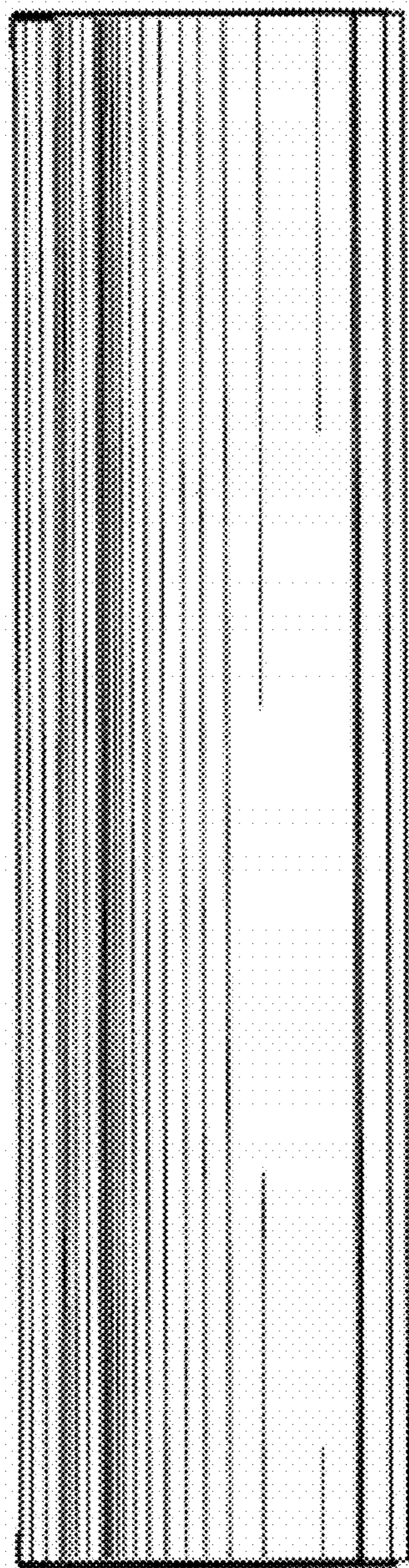


FIG. 2

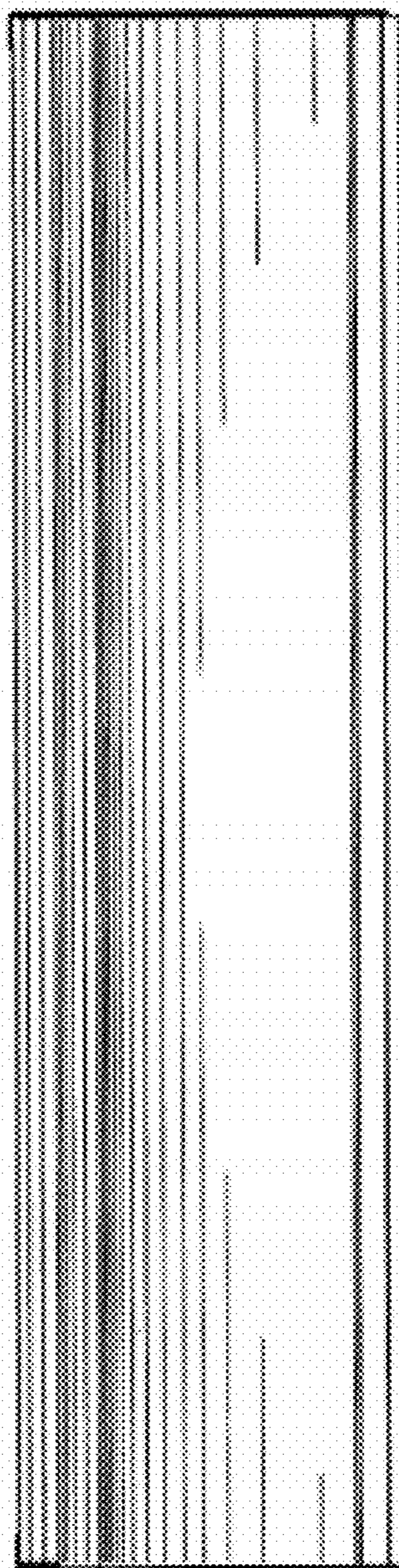


FIG. 3

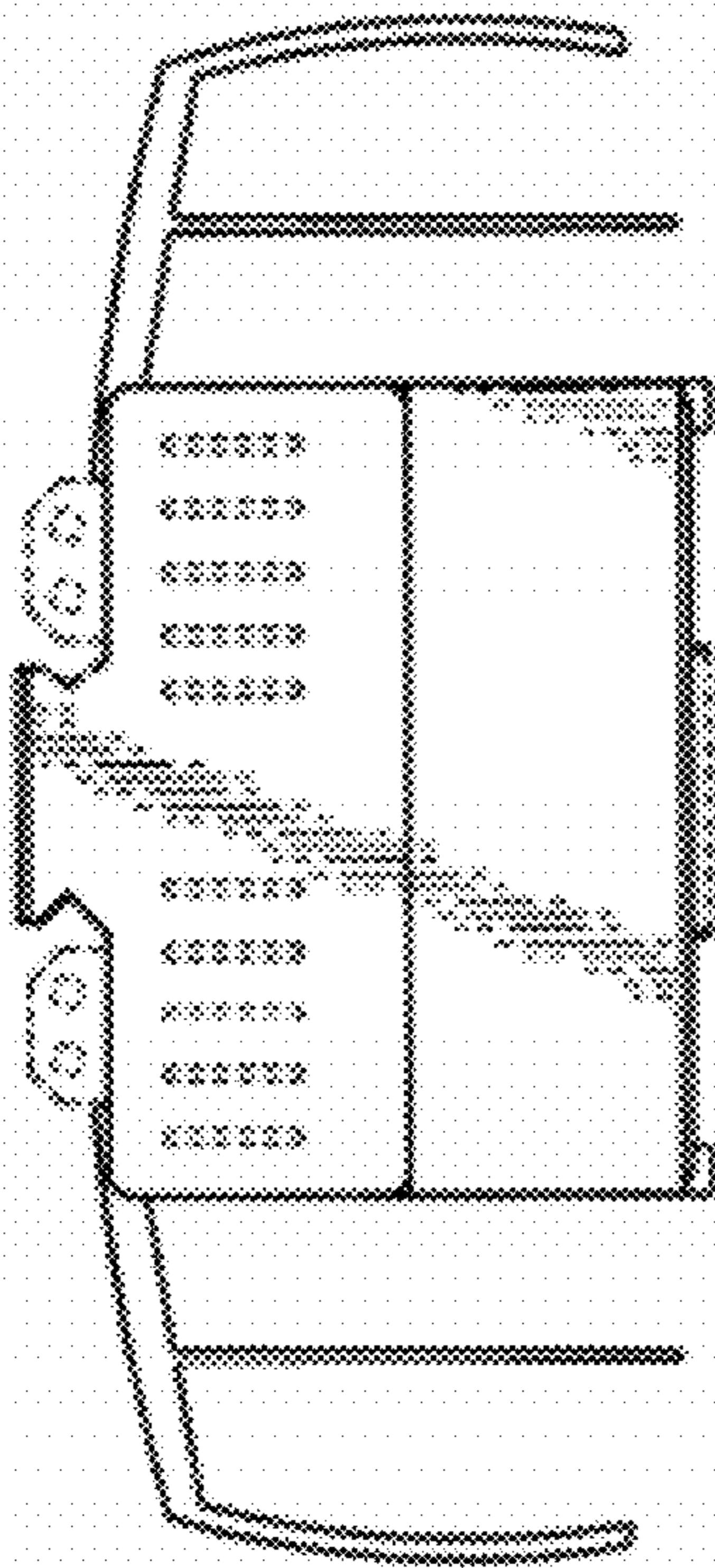


FIG. 4

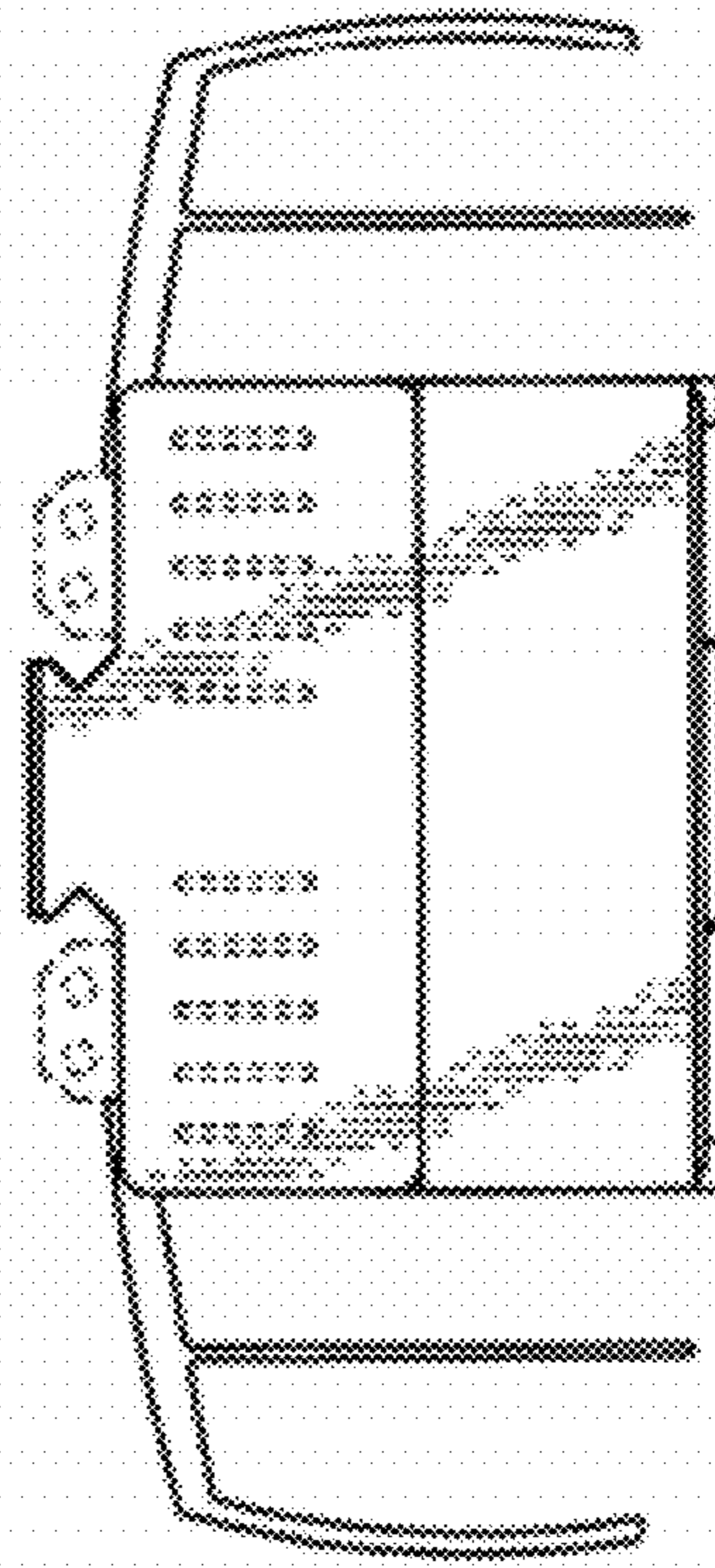


FIG. 5

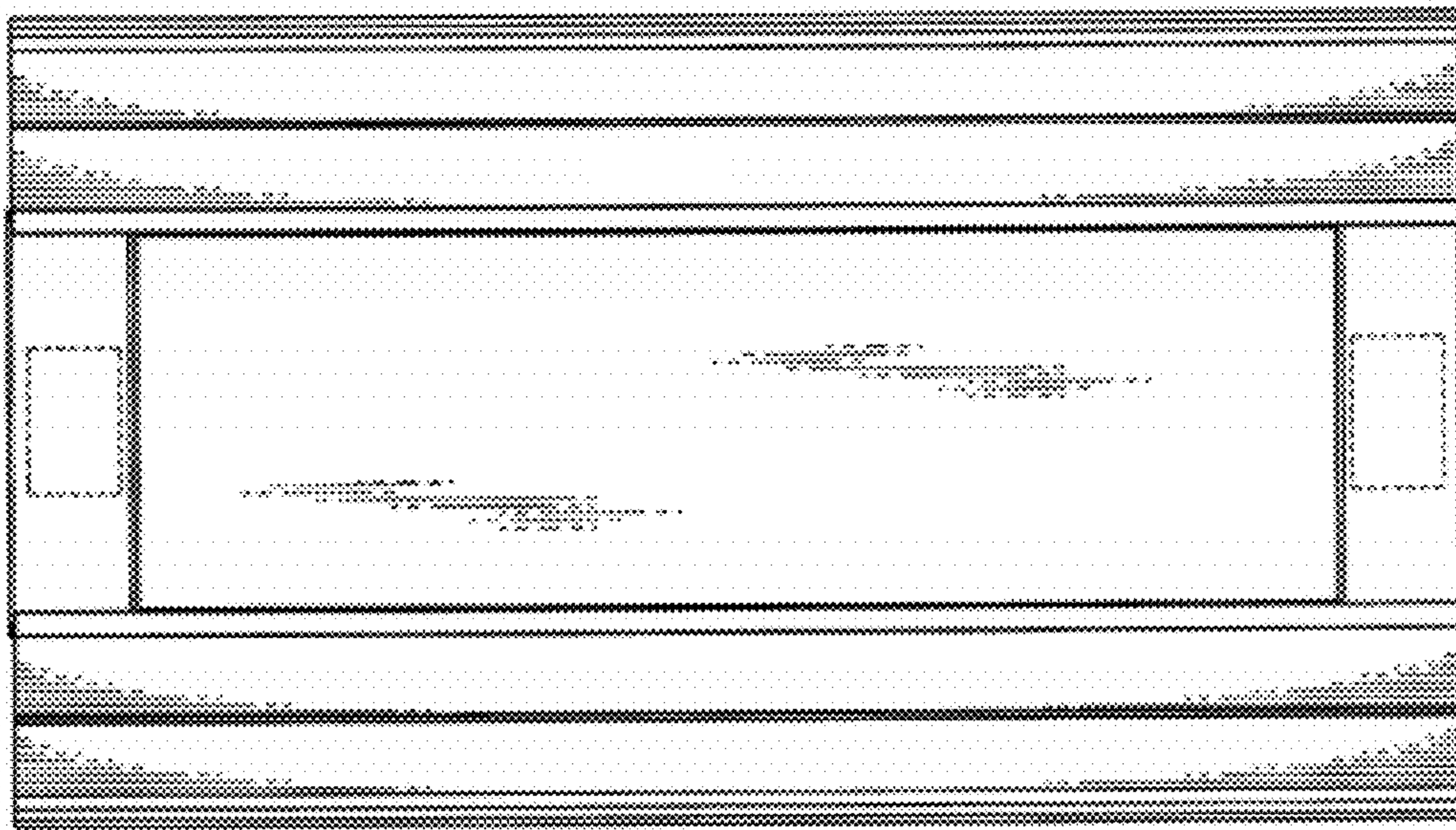


FIG. 6

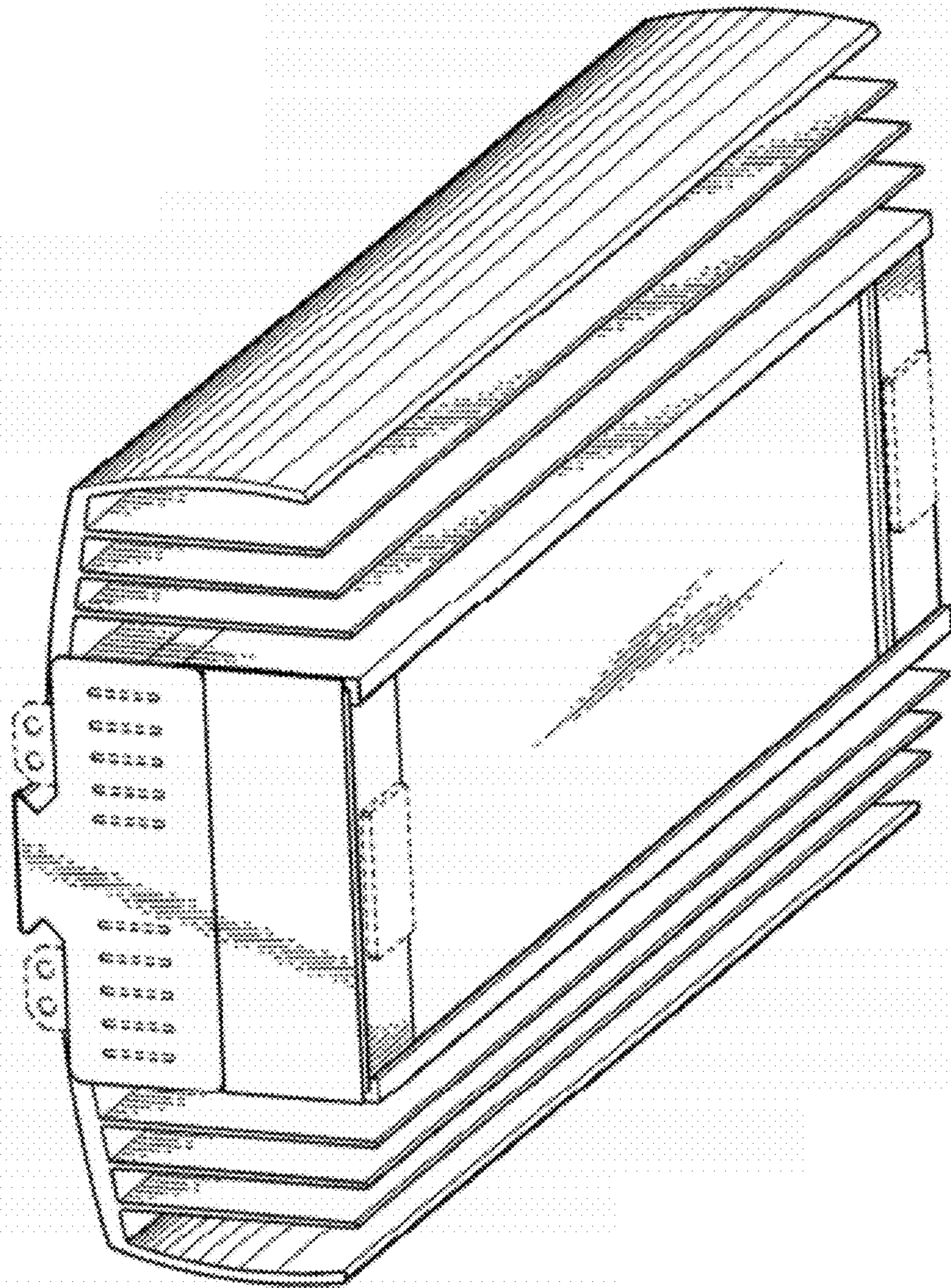


FIG. 7

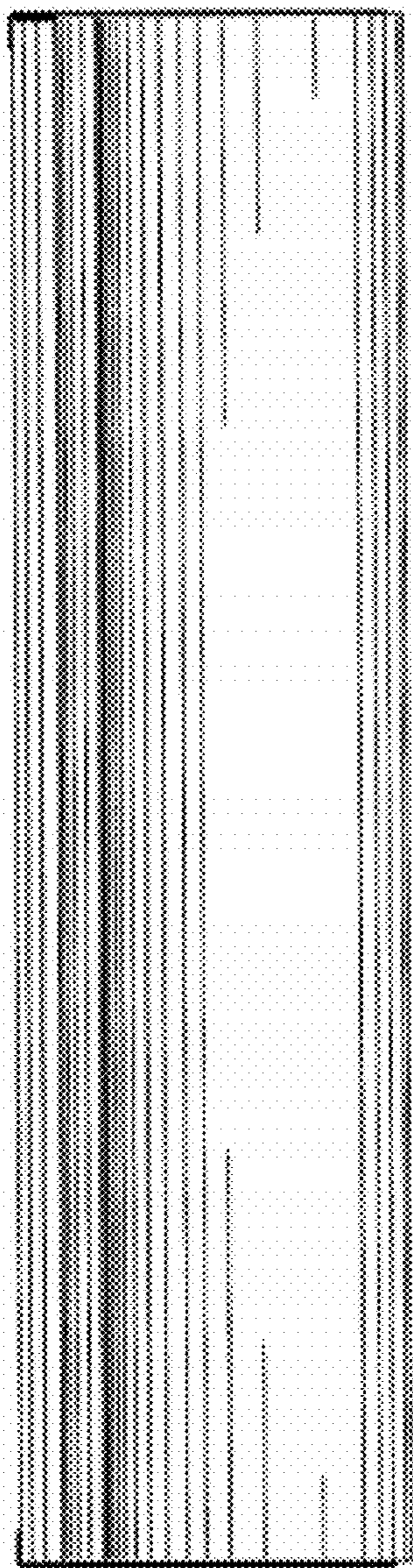


FIG. 8

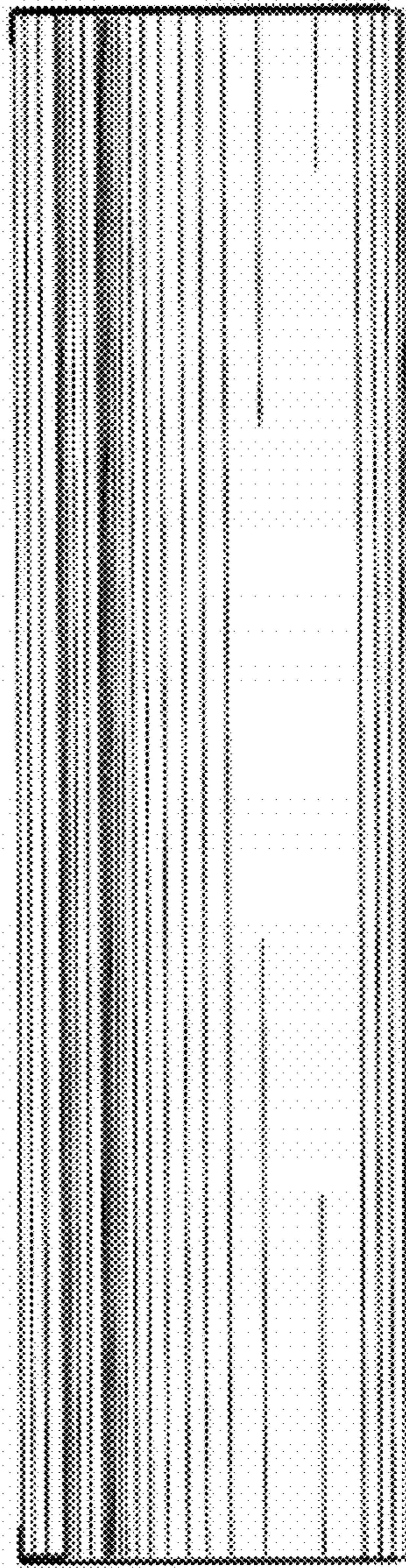


FIG. 9

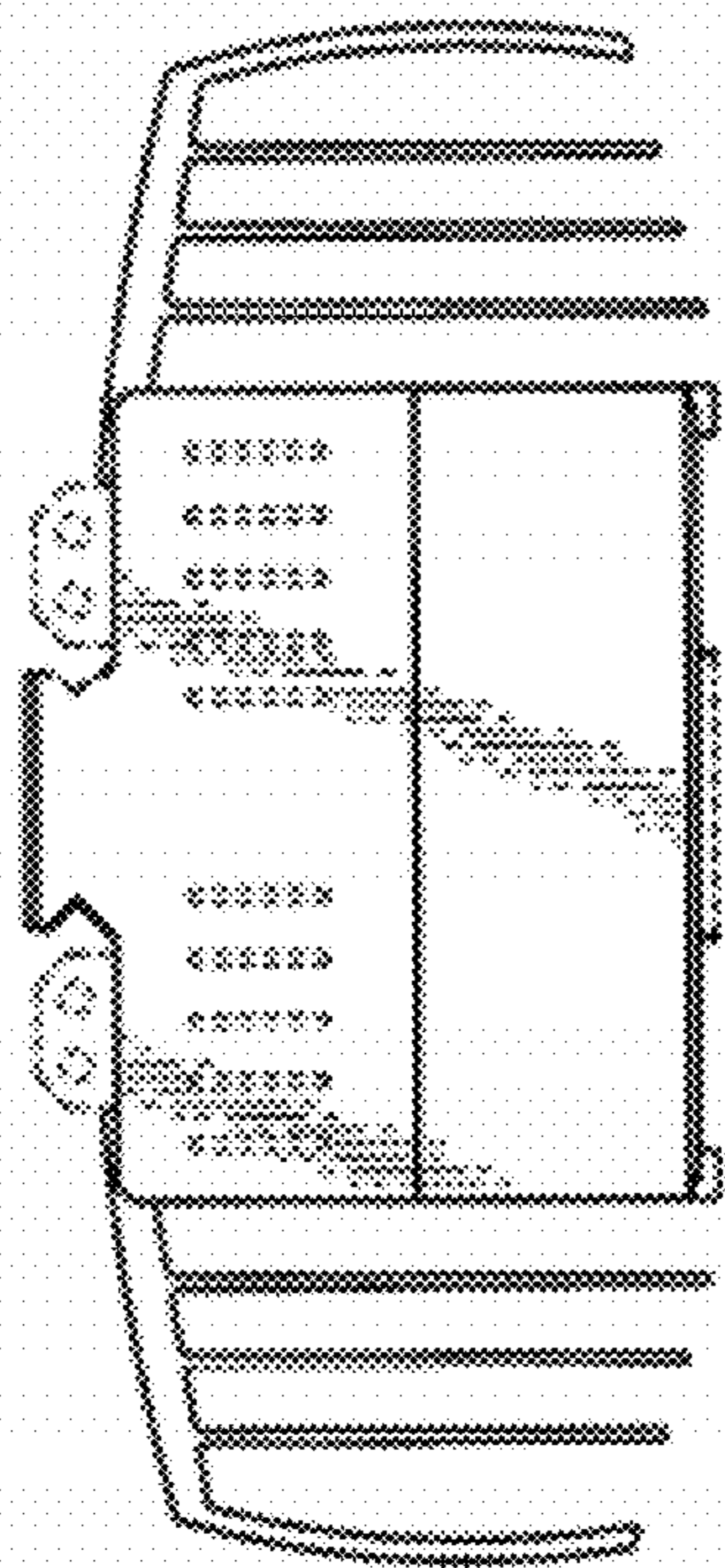


FIG. 10

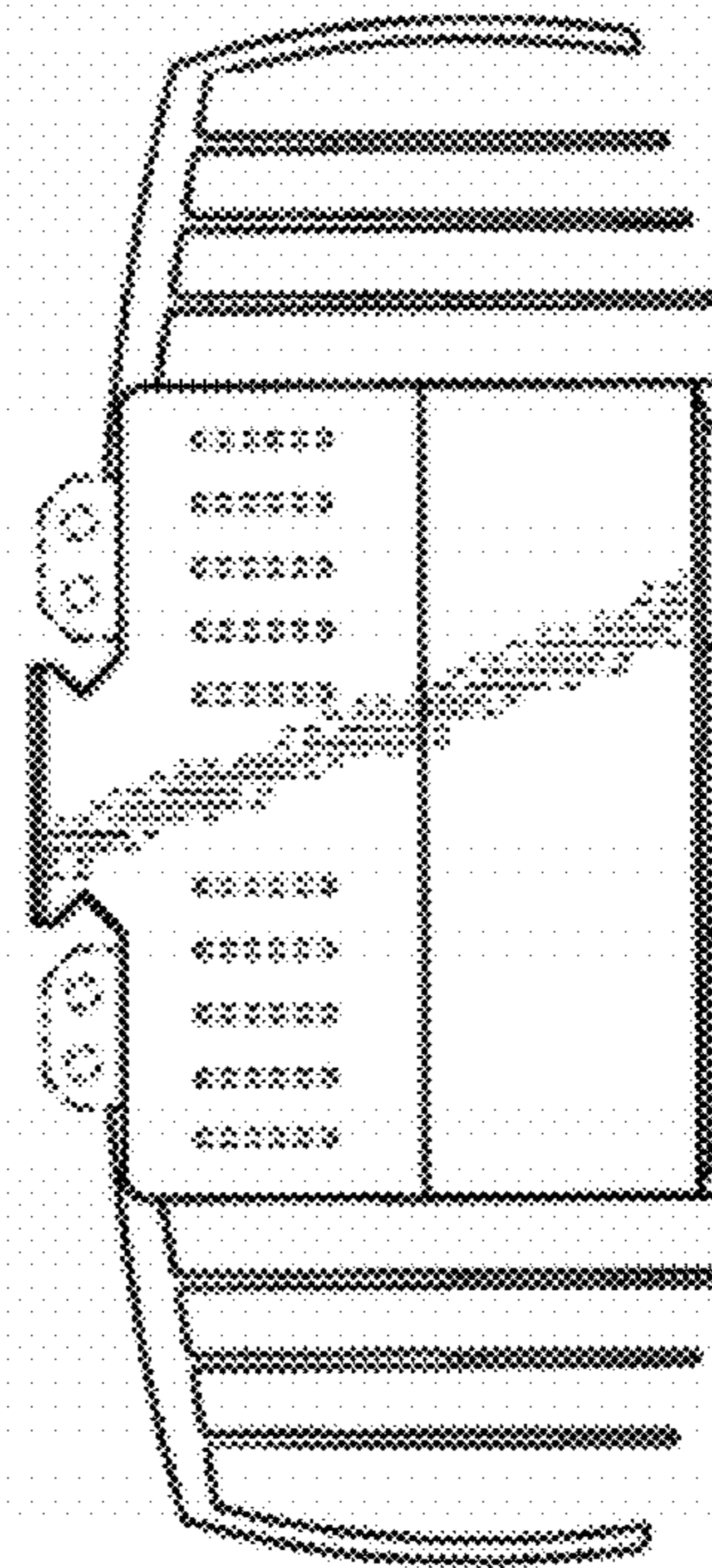


FIG. 11

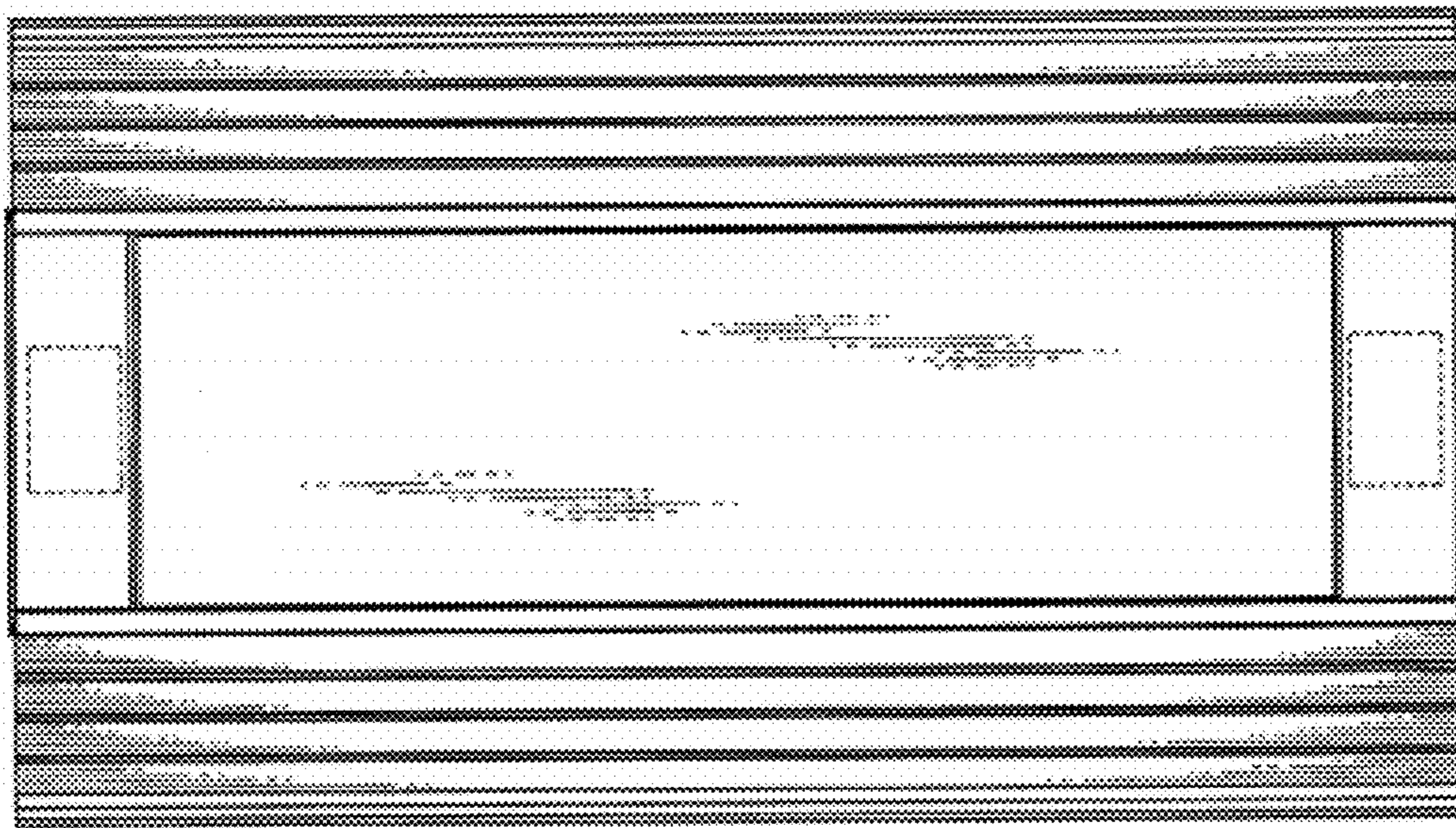


FIG. 12

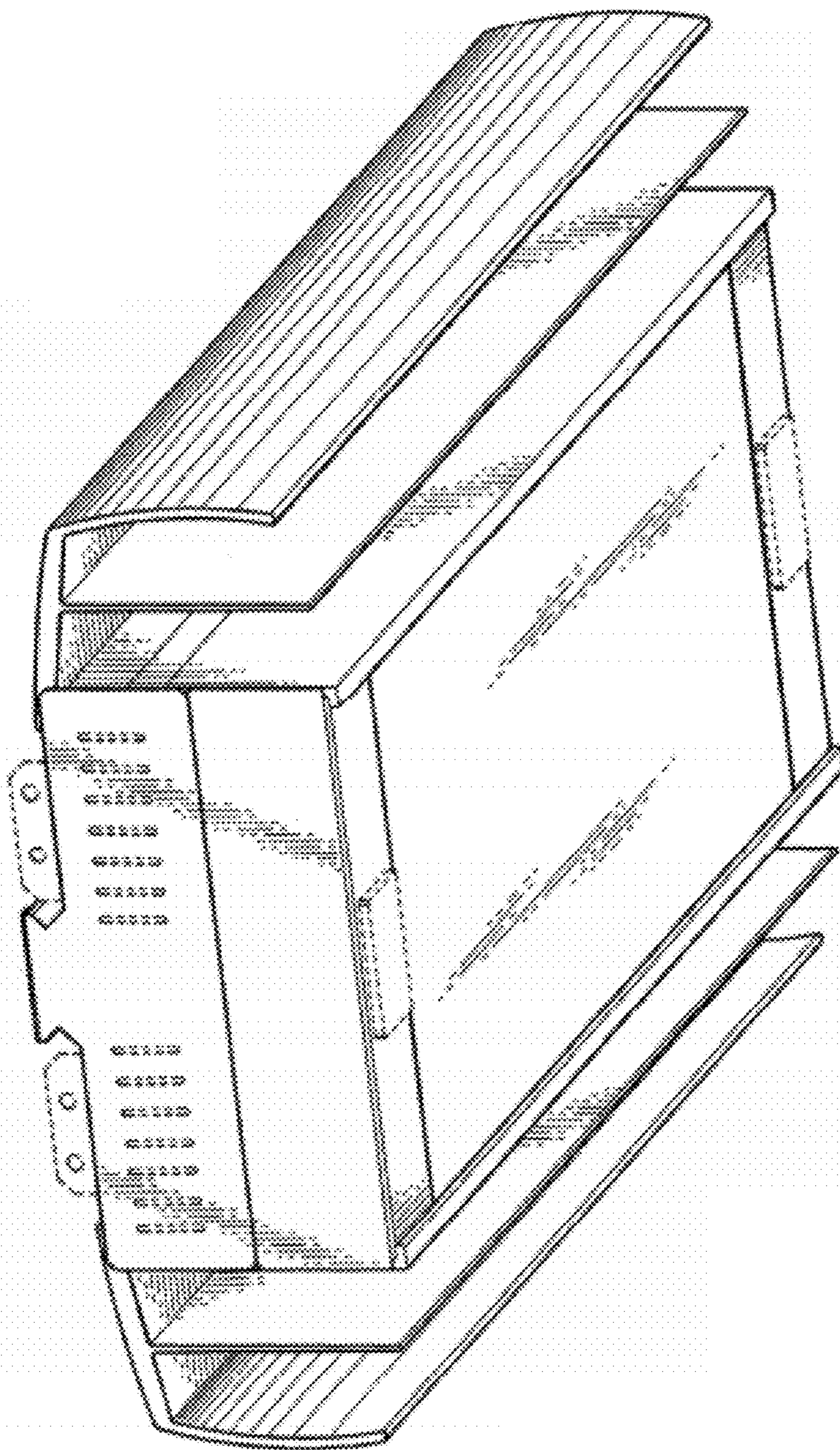


FIG. 13

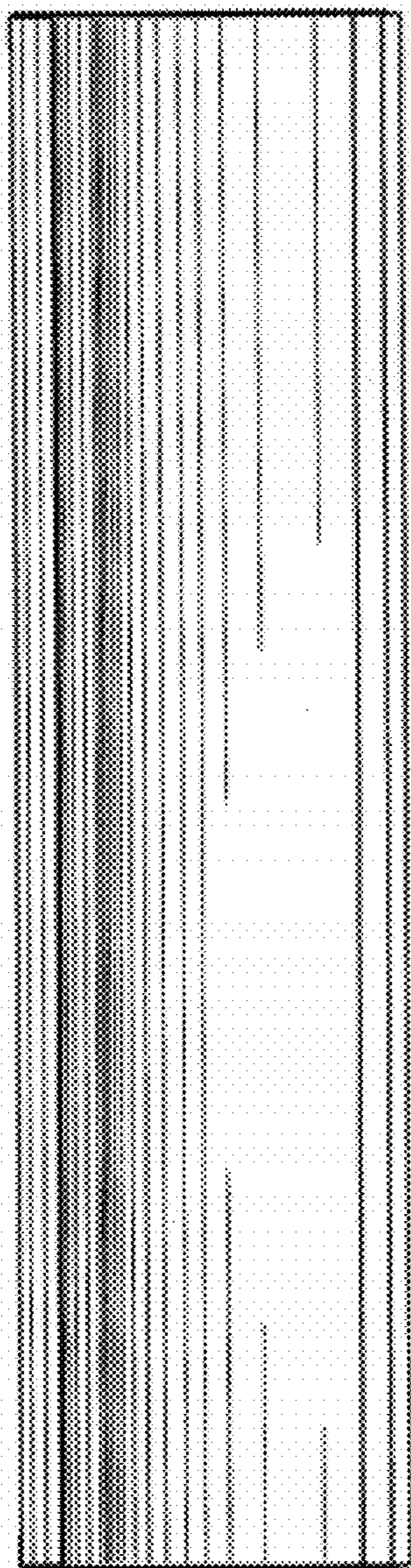


FIG. 14

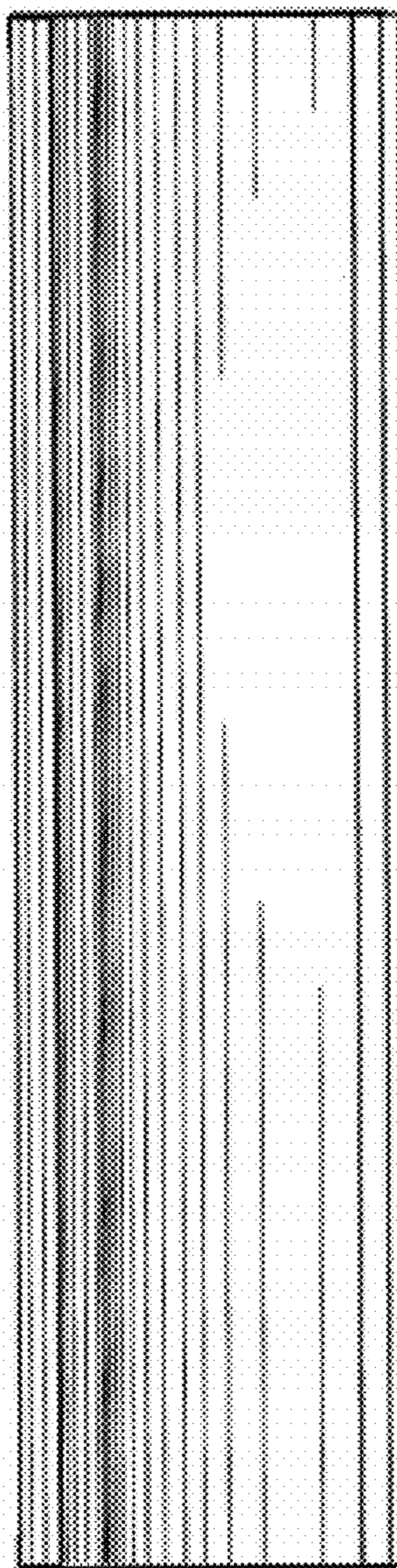


FIG. 15

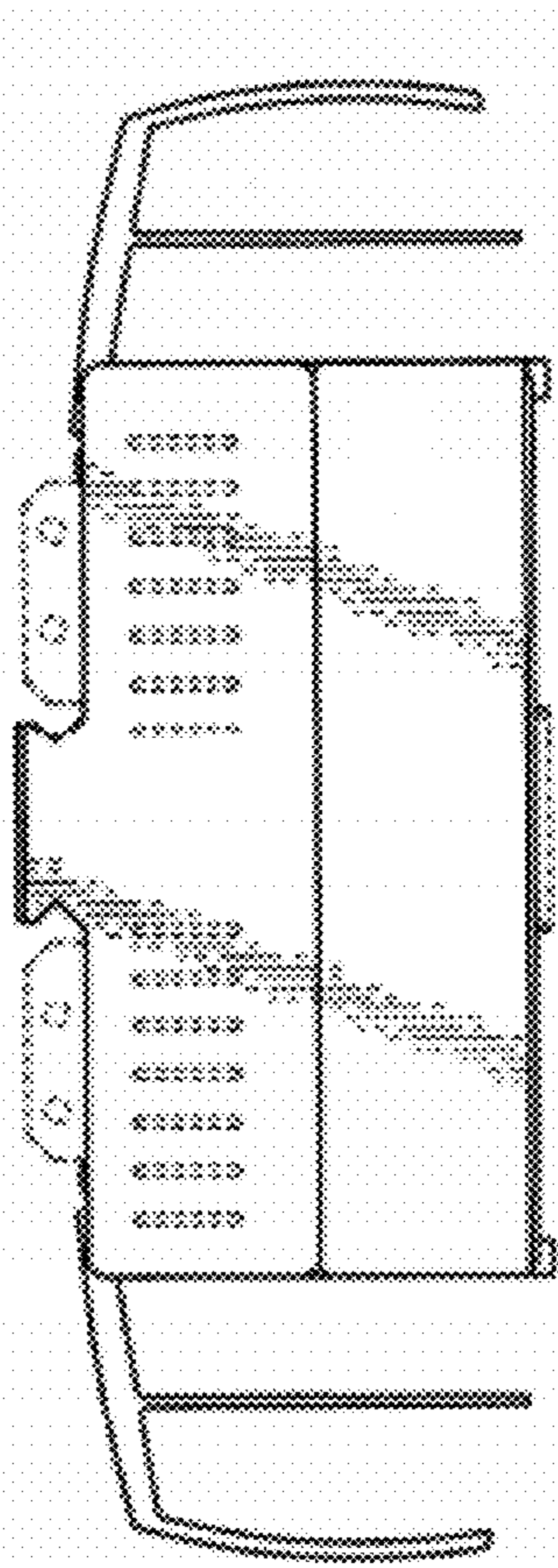


FIG. 16

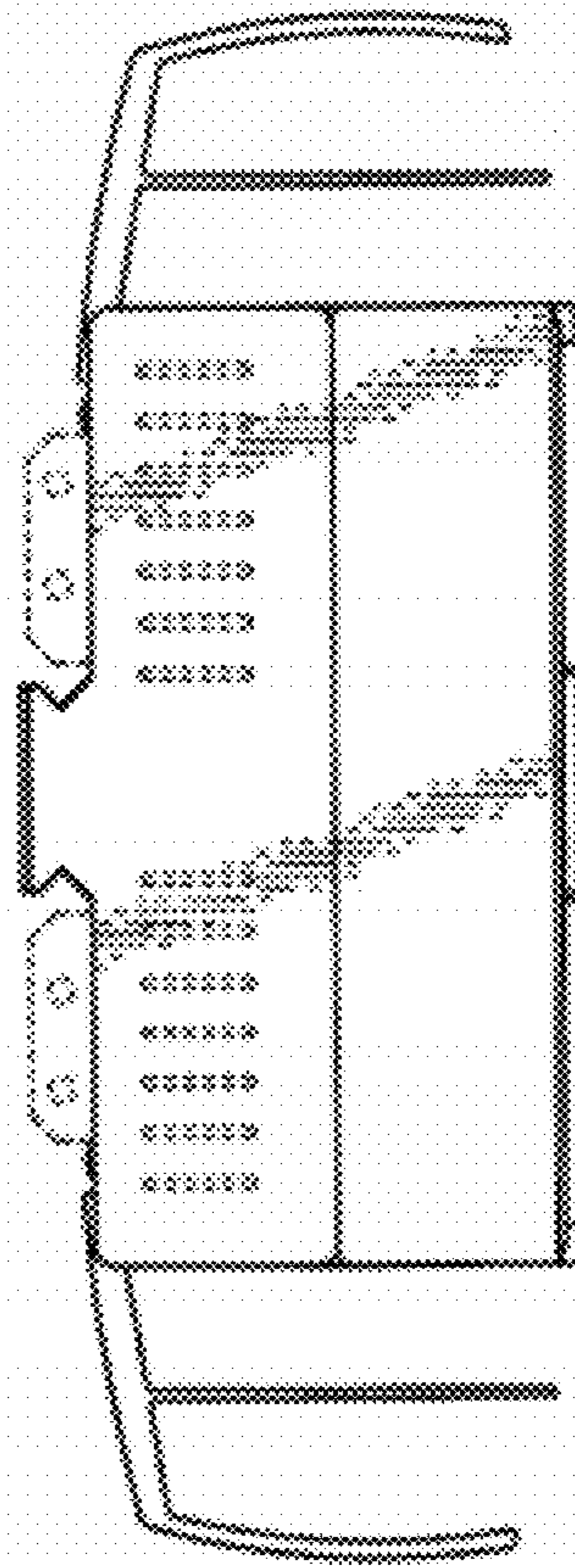


FIG. 17

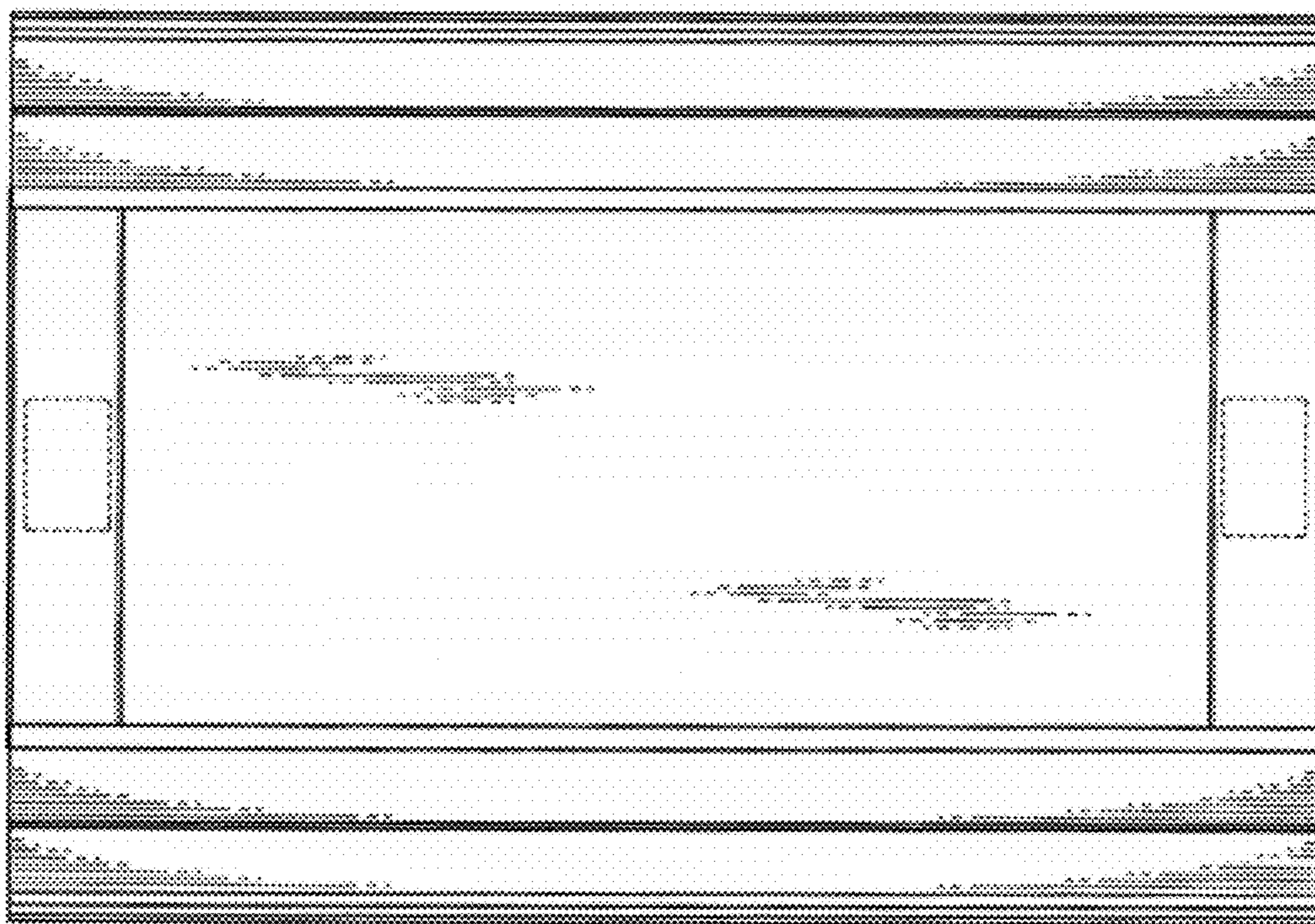


FIG. 18