



US00D677820S

(12) **United States Design Patent**
Mayfield, III et al.

(10) **Patent No.:** **US D677,820 S**
(45) **Date of Patent:** **** Mar. 12, 2013**

(54) **LIGHT FIXTURE**

(75) Inventors: **John T. Mayfield, III**, Loganville, GA (US); **Craig Eugene Marquardt**, Covington, GA (US); **Januk Swarup Aggarwal**, Atlanta, GA (US); **Forrest Starnes McCanness**, Oxford, GA (US); **David Richard Ranieri**, Bogart, GA (US); **Xin Zhang**, Atlanta, GA (US)

(73) Assignee: **ABL IP Holding LLC**, Conyers, GA (US)

(**) Term: **14 Years**

(21) Appl. No.: **29/420,117**

(22) Filed: **May 4, 2012**

(51) **LOC (9) Cl.** **26-05**

(52) **U.S. Cl.** **D26/74**

(58) **Field of Classification Search** D26/74, D26/72, 75, 76, 77, 78, 79, 113, 118, 120, D26/122, 138, 141; 362/482, 145, 147, 148, 362/150, 151, 152, 153, 153.1, 218, 217.02, 362/217.03, 217.05, 217.07, 217.08, 217.09, 362/217.1, 217.11, 217.14, 217.15, 342, 362/346, 347, 364, 365, 366, 800, 260, 279, 362/280, 290, 291, 292, 294, 296.01, 297, 362/298, 299, 300, 301, 310, 296.07, 311.02, 362/311.01, 311.09

See application file for complete search history.

(56) **References Cited**

U.S. PATENT DOCUMENTS

D195,012 S	4/1963	Hoyle	
D364,478 S	11/1995	Pesau	
D374,301 S	* 10/1996	Kleffman D26/76
D386,804 S	* 11/1997	Engel D26/74
D397,819 S	9/1998	Thornton, Jr.	
D399,586 S	10/1998	Ranieri et al.	
D407,473 S	3/1999	Wimbock	
D413,402 S	8/1999	Ranieri et al.	
5,988,829 A	11/1999	Holder	
5,988,836 A	11/1999	Swarens	

D477,891 S	7/2003	Fritze et al.	
D496,121 S	9/2004	Santoro	
D544,992 S	* 6/2007	Mayfield et al. D26/118
D556,358 S	11/2007	Santoro	
D561,930 S	* 2/2008	Hukle et al. D26/120

OTHER PUBLICATIONS

“Simply Inspired,” Philips Ledalite, 2012 (28 Pages).

* cited by examiner

Primary Examiner — Angela J Lee

(74) *Attorney, Agent, or Firm* — Kilpatrick Townsend & Stockton LLP

(57) **CLAIM**

The ornamental design for a light fixture, as shown and described.

DESCRIPTION

FIG. 1 is a bottom perspective view of an embodiment of a light fixture.

FIG. 2 is a bottom plan view of the light fixture of FIG. 1.

FIG. 3 is a right side elevation view of the light fixture of FIG. 1, it being understood that the left side elevation view is identical to the right side elevation view.

FIG. 4 is a front elevation view of the light fixture of FIG. 1, it being understood that the rear elevation view is identical to the front elevation view.

FIG. 5 is a bottom perspective view of another embodiment of a light fixture.

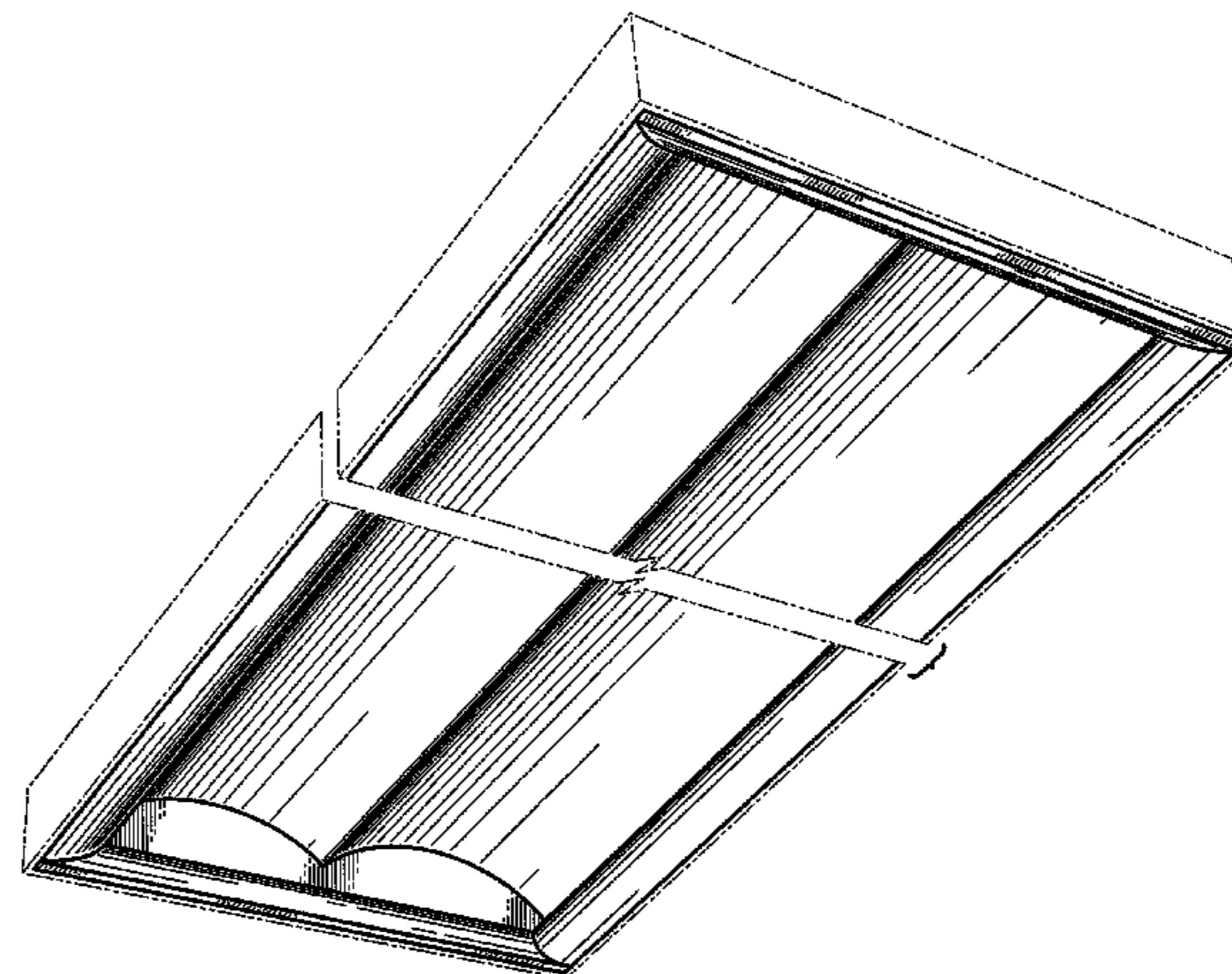
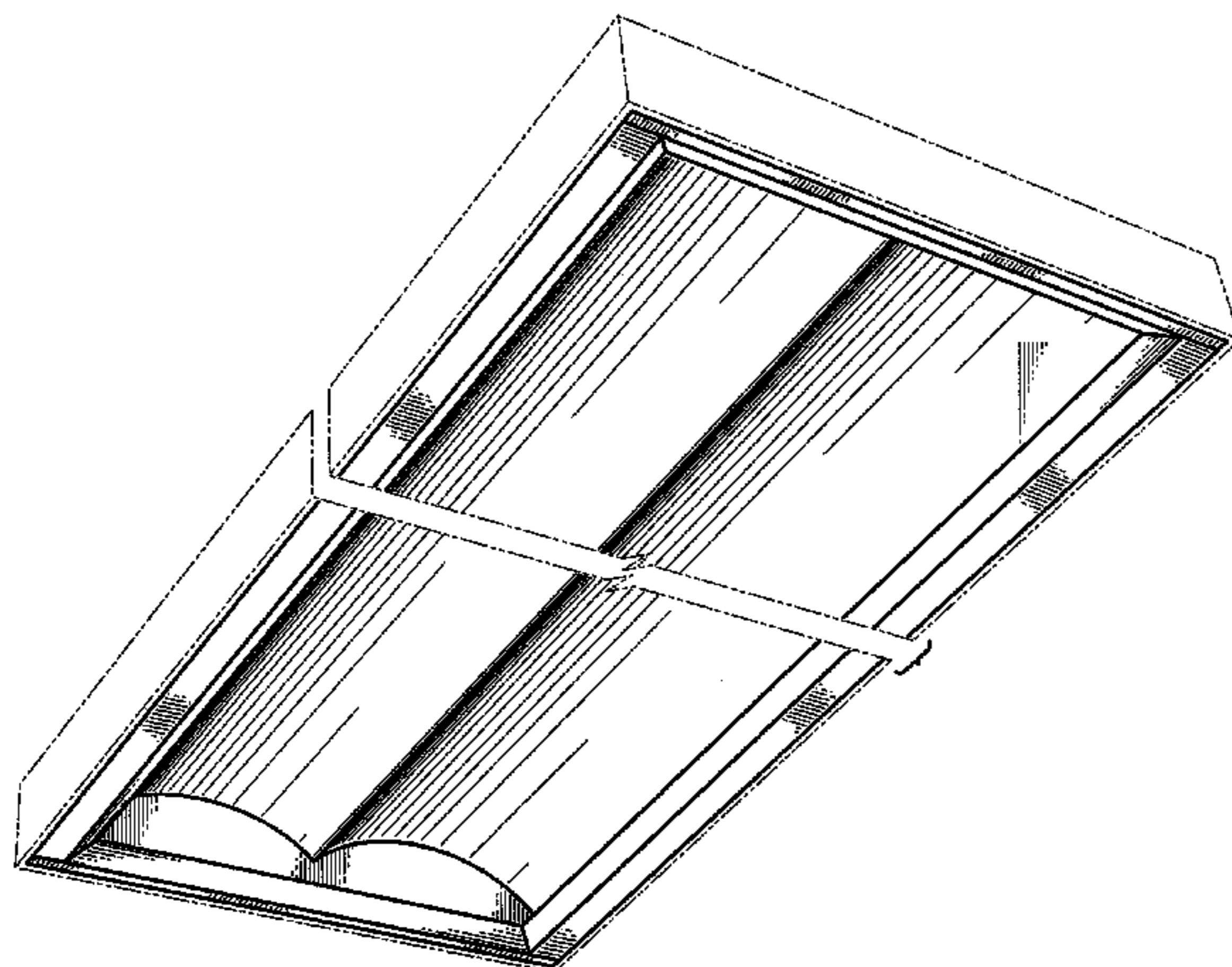
FIG. 6 is a bottom plan view of the light fixture of FIG. 5.

FIG. 7 is a right side elevation view of the light fixture of FIG. 5, it being understood that the left side elevation view is identical to the right side elevation view; and,

FIG. 8 is a front elevation view of the light fixture of FIG. 5, it being understood that the rear elevation view is identical to the front elevation view.

Portions or features of the light fixture not shown in the drawings form no part of the claimed design. The broken lines in the drawings form no part of the claimed design.

1 Claim, 4 Drawing Sheets



US D677,820 S

Page 2

U.S. PATENT DOCUMENTS					
D572,858 S	7/2008	Santoro	D614,792 S *	4/2010	Fabbri et al. D26/74
D579,598 S	10/2008	Santoro	D632,832 S *	2/2011	Lown et al. D26/120
D593,246 S *	5/2009	Fowler et al. D26/76	D653,376 S *	1/2012	Kong et al. D26/76
D595,006 S	6/2009	Santoro	D665,119 S *	8/2012	Bryant D26/122
D602,625 S	10/2009	Santoro	D667,584 S *	9/2012	Beghelli D26/75
			2008/0019126 A1 *	1/2008	Straton et al. 362/218
			2011/0286214 A1 *	11/2011	Quinlan et al. 362/235

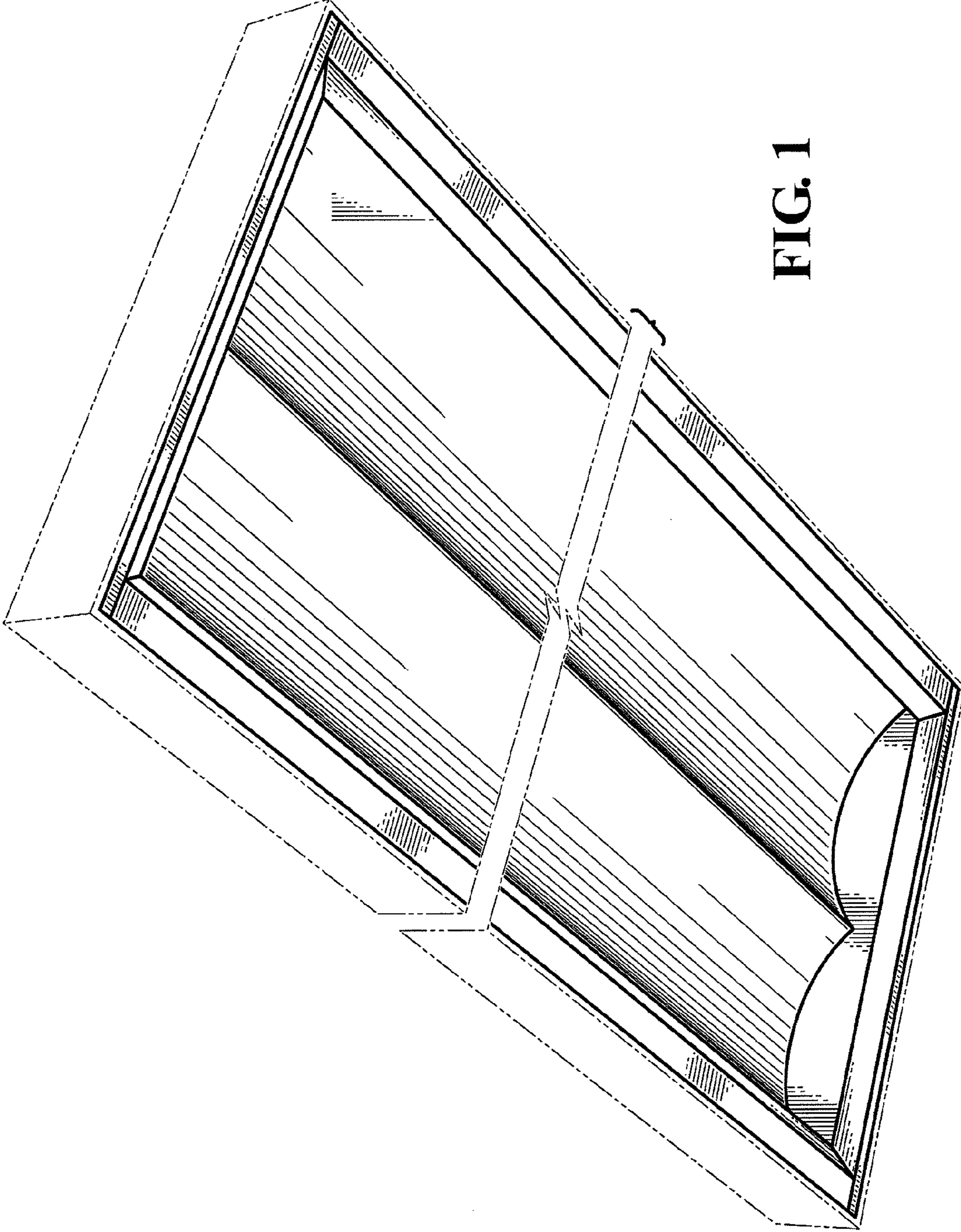


FIG. 1

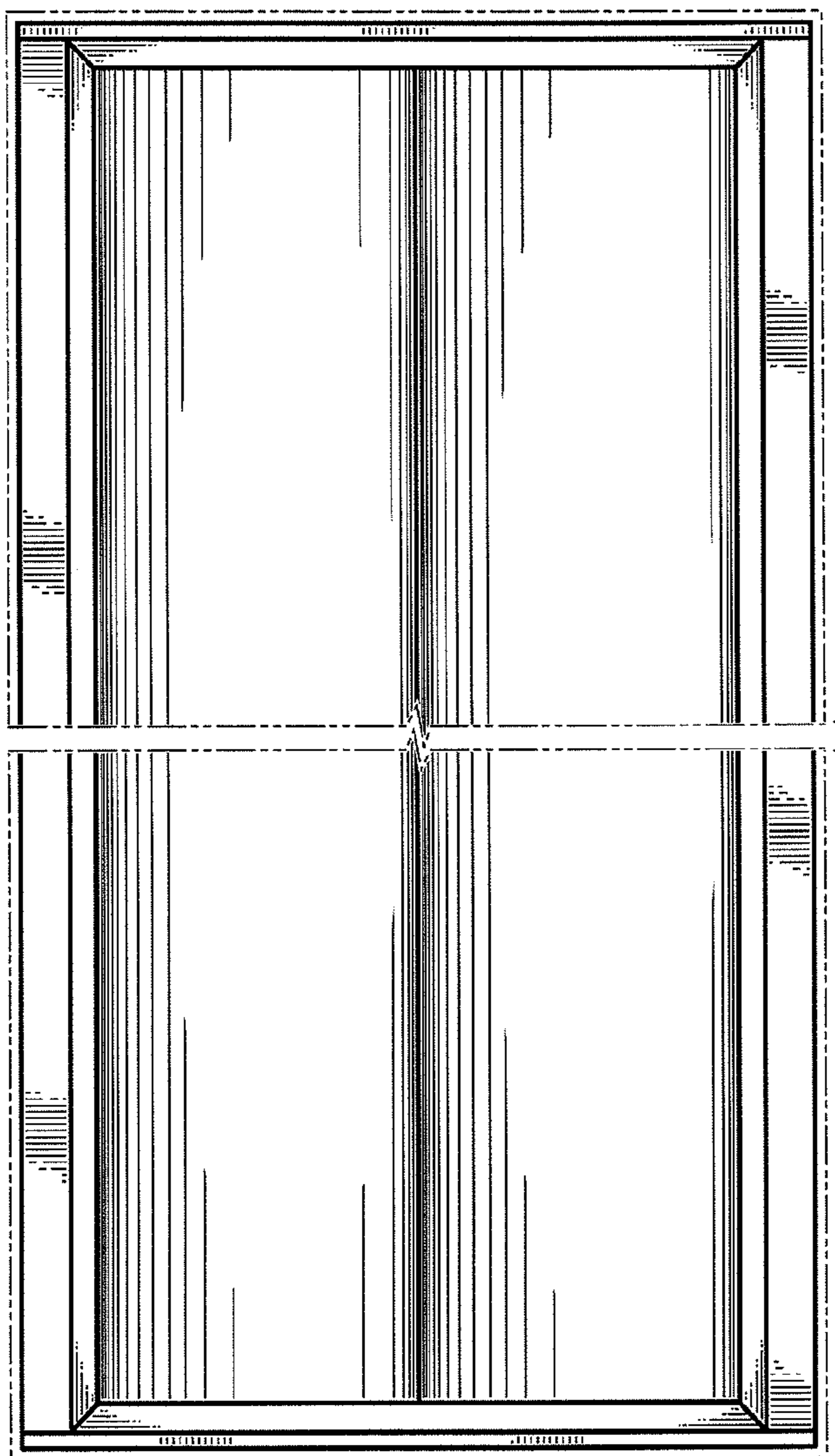


FIG. 2

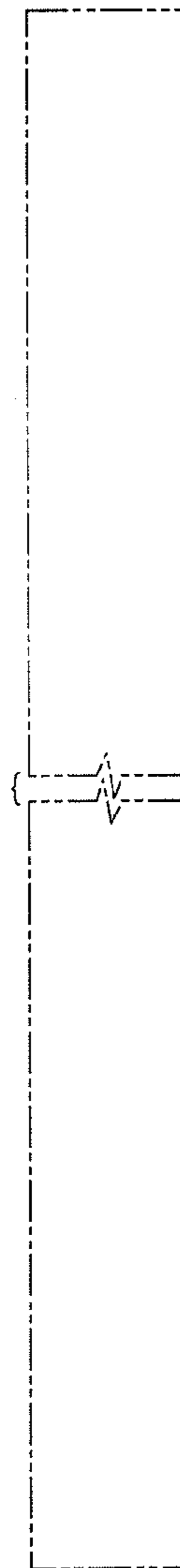


FIG. 3

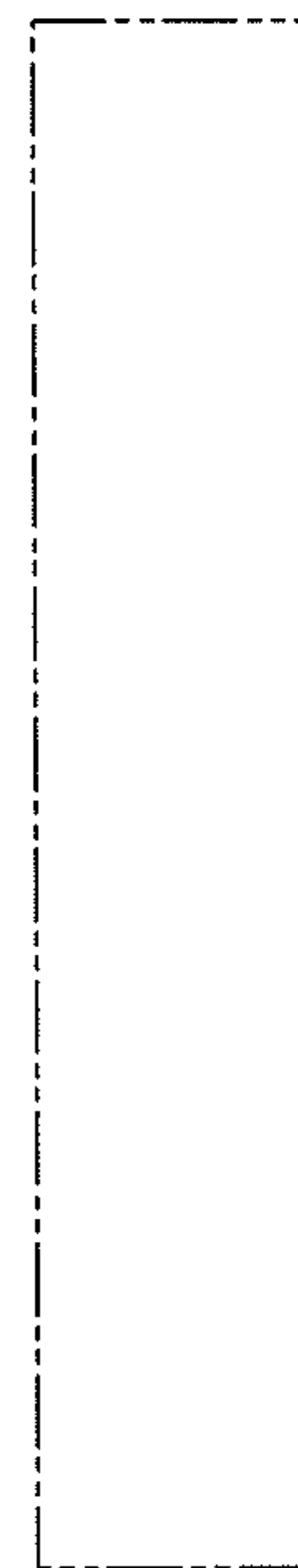


FIG. 4

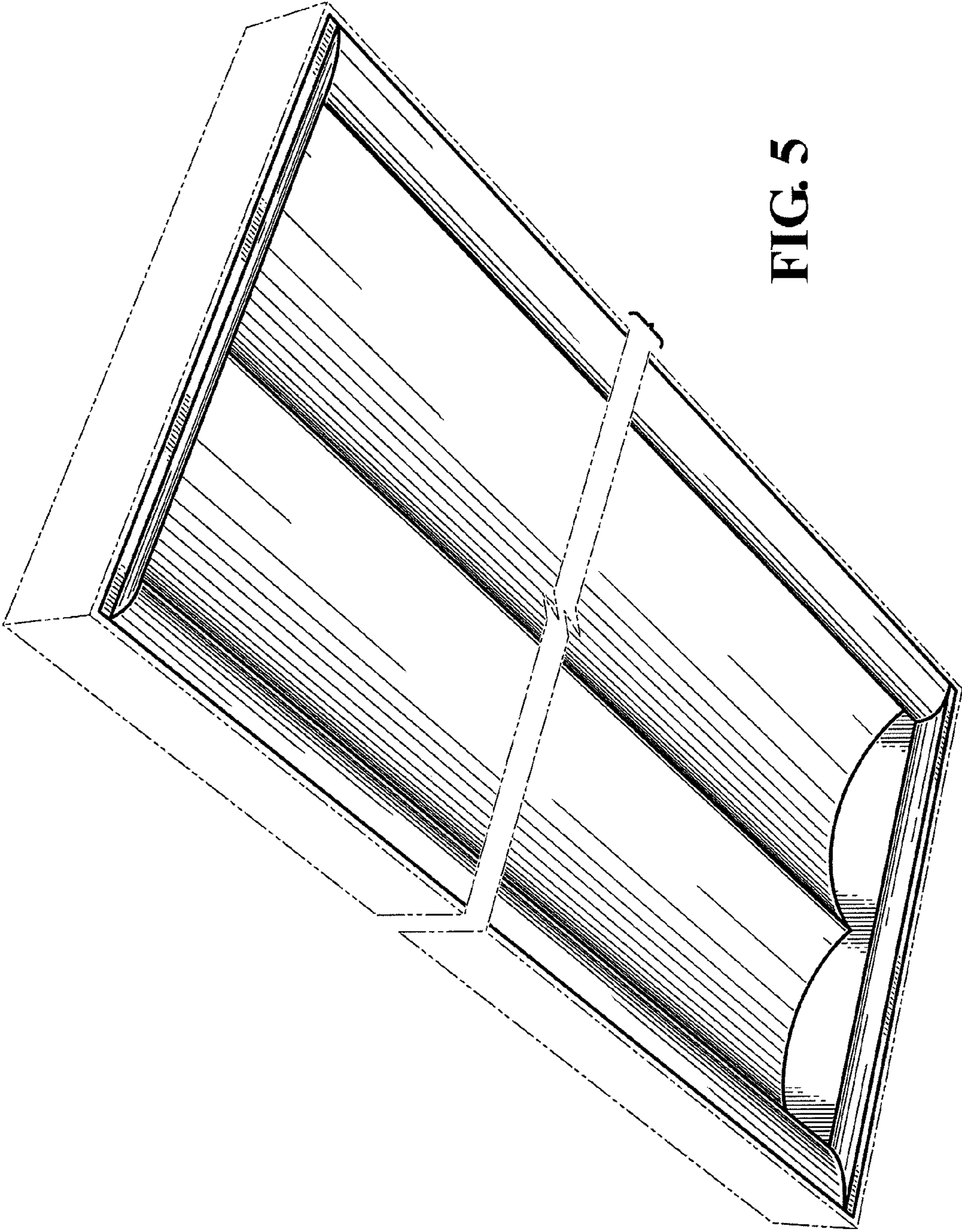


FIG. 5

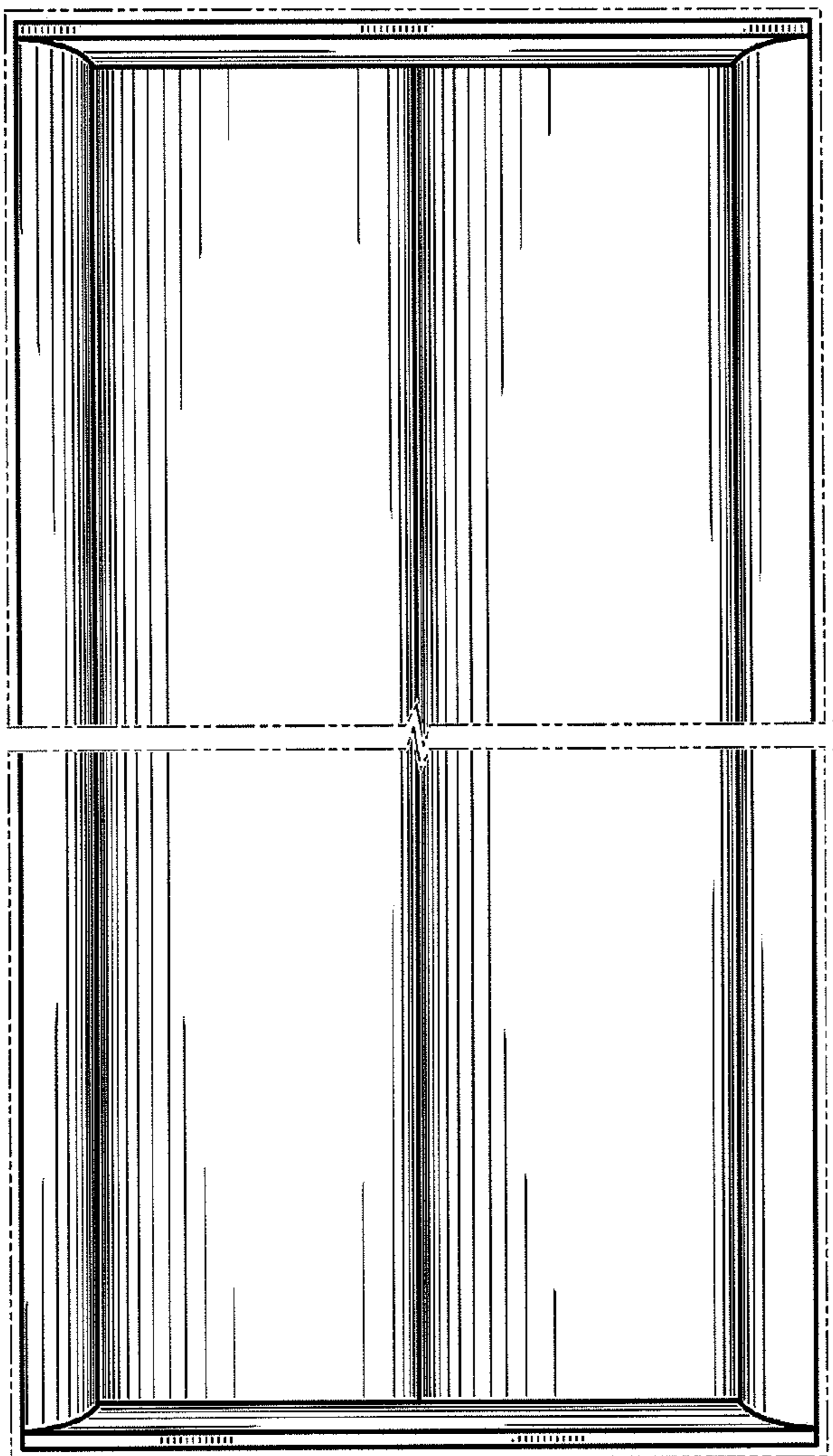


FIG. 6

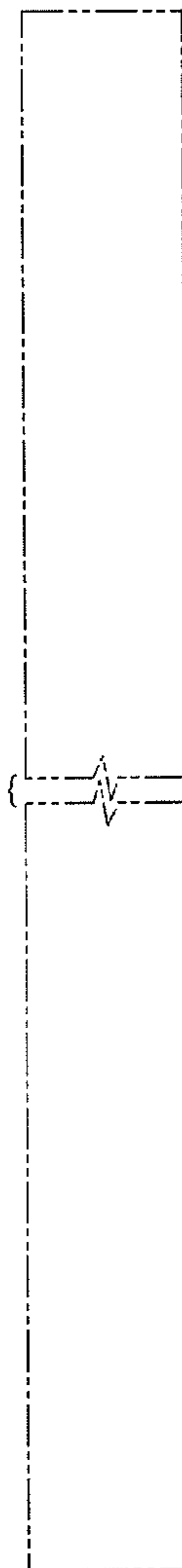


FIG. 7



FIG. 8