



US00D677818S

(12) **United States Design Patent**
Steele et al.

(10) **Patent No.:** **US D677,818 S**
(45) **Date of Patent:** **** Mar. 12, 2013**

(54) **LIGHT FIXTURE**

(75) Inventors: **Jon Steele**, Aliso Viejo, CA (US);
Richard Schuler, Long Beach, CA (US)

(73) Assignee: **Prudential Lighting Corporation**, Los Angeles, CA (US)

(**) Term: **14 Years**

(21) Appl. No.: **29/403,928**

(22) Filed: **Oct. 12, 2011**

(51) **LOC (9) Cl.** **26-05**

(52) **U.S. Cl.** **D26/74**

(58) **Field of Classification Search** D26/74,
D26/72, 75, 76, 77, 78, 79, 113, 118, 120,
D26/122, 138, 141; 362/482, 145, 147, 148,
362/150, 151, 152, 153, 153.1, 218, 217.02,
362/217.03, 217.05, 217.07, 217.08, 217.09,
362/217.1, 217.11, 217.14, 217.15, 342,
362/346, 347, 364, 365, 366, 800, 260, 279,
362/280, 290, 291, 292, 294, 296.01, 297,
362/298, 299, 300, 301, 310, 296.07, 311.02,
362/311.01, 311.09

See application file for complete search history.

(56) **References Cited**

U.S. PATENT DOCUMENTS

D195,012 S *	4/1963	Hoyla	D23/388
D201,544 S *	7/1965	Brooks	D25/56
D407,473 S *	3/1999	Wimbock	D23/328
D413,402 S *	8/1999	Ranieri et al.	D26/74
D496,121 S *	9/2004	Santoro	D26/74
D553,781 S *	10/2007	Pickard et al.	D26/74
D561,930 S *	2/2008	Hukle et al.	D26/120
D579,598 S *	10/2008	Santoro	D26/76
7,510,305 B2 *	3/2009	Straton et al.	362/294
D644,374 S *	8/2011	Ferrier	D26/118
D663,467 S *	7/2012	Apetauer et al.	D26/74
D664,699 S *	7/2012	Nakahira et al.	D26/74
D667,157 S *	9/2012	Ferguson et al.	D26/76

OTHER PUBLICATIONS

Lithonia Lighting, catalog ordering pages showing product information photos, Sheet #: 2RT5-2x2 VRL-140, 2004 Acuity Brands Lighting, Inc., Rev. Apr. 21, 2008, 2 pages.

2'x2' *SoftTrace*, pages showing product information and photos, 0167. 2-AR, Philips Day-Brite, Day-Brite Lighting, Dec. 2009, 4 pages.

(Continued)

Primary Examiner — Angela J Lee

(74) *Attorney, Agent, or Firm* — Christie, Parker & Hale, LLP

(57) **CLAIM**

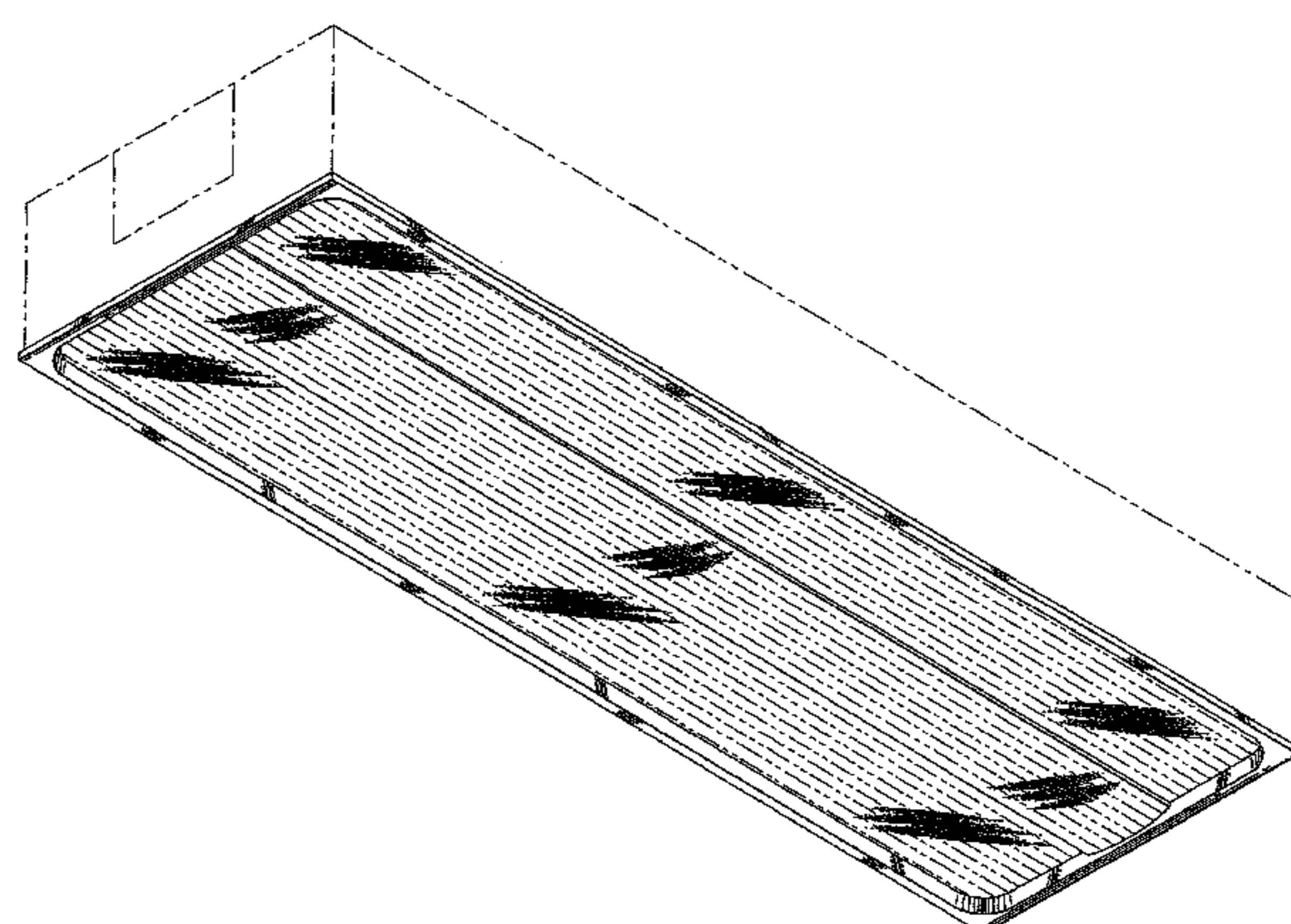
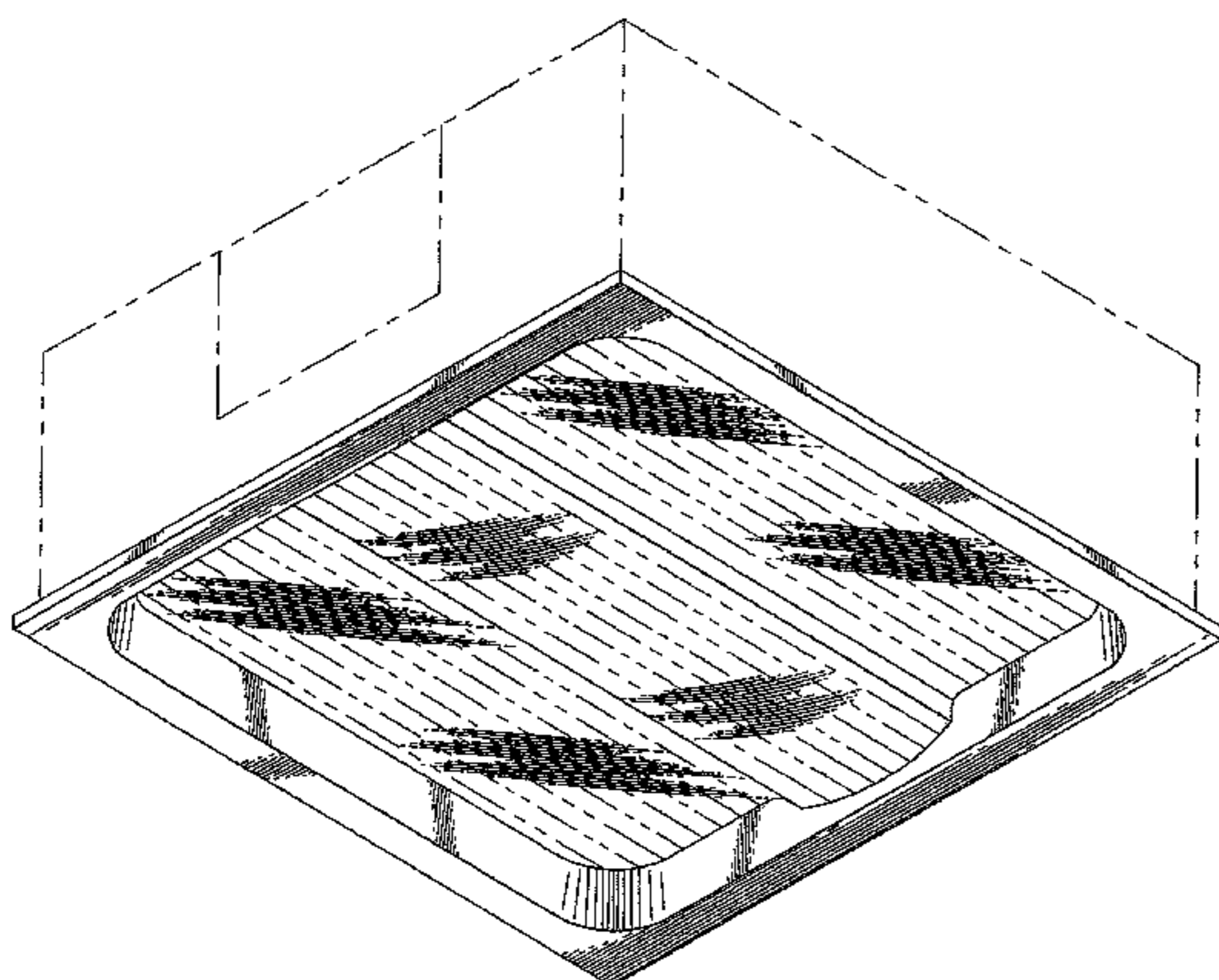
The ornamental design for light fixture, as shown and described.

DESCRIPTION

FIG. 1 is a perspective view of a first embodiment of our new light fixture design;
FIG. 2 is a plan view of the first embodiment of our new light fixture design;
FIG. 3 is a perspective view of a second embodiment of our new light fixture design;
FIG. 4 is a plan view of the second embodiment of our new light fixture design;
FIG. 5 is a perspective view of a third embodiment of our new light fixture design;
FIG. 6 is a plan view of the third embodiment of our new light fixture design;
FIG. 7 is a perspective view of the fourth embodiment of our new light fixture design;
FIG. 8 is a plan view of the fourth embodiment of our new light fixture design;
FIG. 9 is a perspective view of the fifth embodiment of our new light fixture design;
FIG. 10 is a plan view of the fifth embodiment of our new light fixture design;
FIG. 11 is a perspective view of the sixth embodiment of our new light fixture design; and,
FIG. 12 is a plan view of the sixth embodiment of our new light fixture design.

The broken lines are for illustrative purposes only and form no part of the claimed design.

1 Claim, 12 Drawing Sheets



OTHER PUBLICATIONS

Cooper Lighting—Metalux, pages showing product information and photos, Cooper Lighting, Jun. 2010, ADF051721, 2 pages.

ConverJ 2x4, pages showing product information and photos, Pinnacle Architectural Lighting, Sep. 2009, 2 pages.

equation 2x2, pages showing product features and photos, Focal Point, www.focalpointlights.com, 4 pages.

The High Performance Recessed (HPR) Collection, brochure detailing product features, Finelite Better Lighting, 24 pages.

Jacqueline Series, pages showing product features and photos, Picasso Lighting Industries, LLC, 2010, 2 pages.

Litewave, brochure showing product features and photos, Litecontrol, 2010, 4 pages.

Zumtobel—Mellow Light V, catalog brochure pages showing product features and photos, Zumtobel, 34 pages.

Corelite, catalog pages showing product features and photos, Cooper Lighting, www.cooperlighting.com, printed on Dec. 10, 2009, 3 pages.

Ledalite—Voice™ with MesoOptics, brochure detailing product features. Philips Group 2010, 18 pages.

* cited by examiner

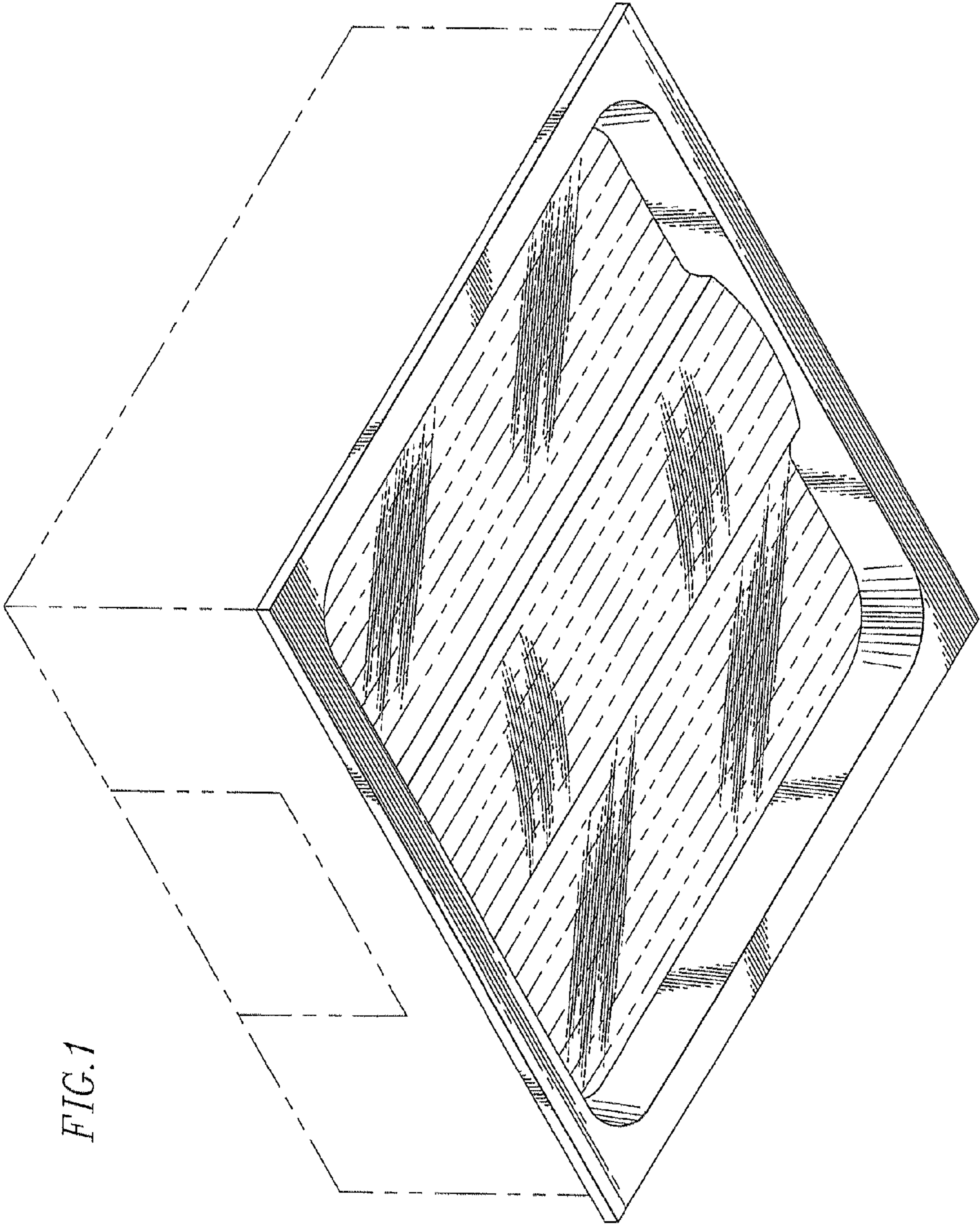


FIG. 1

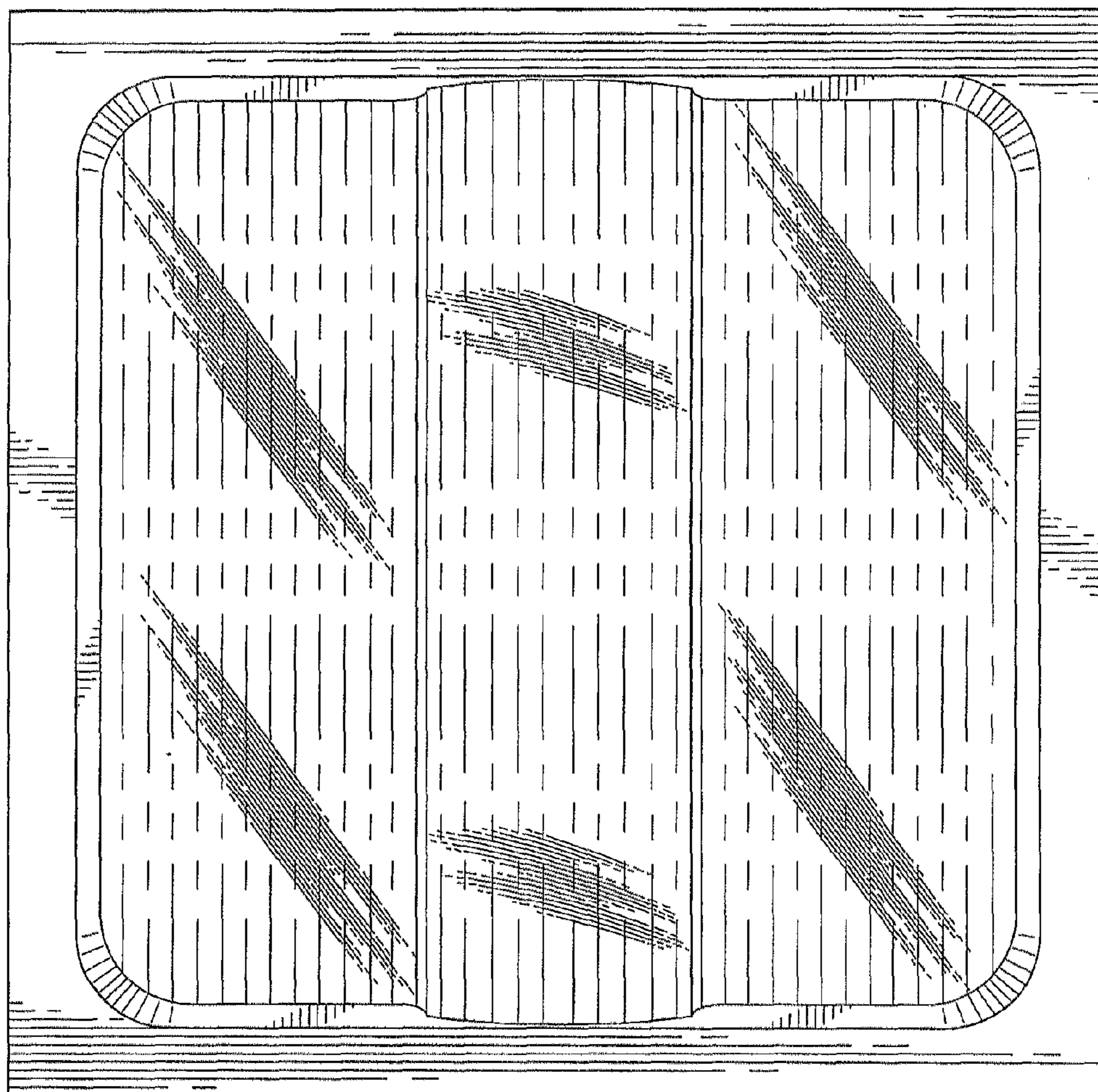


FIG. 2

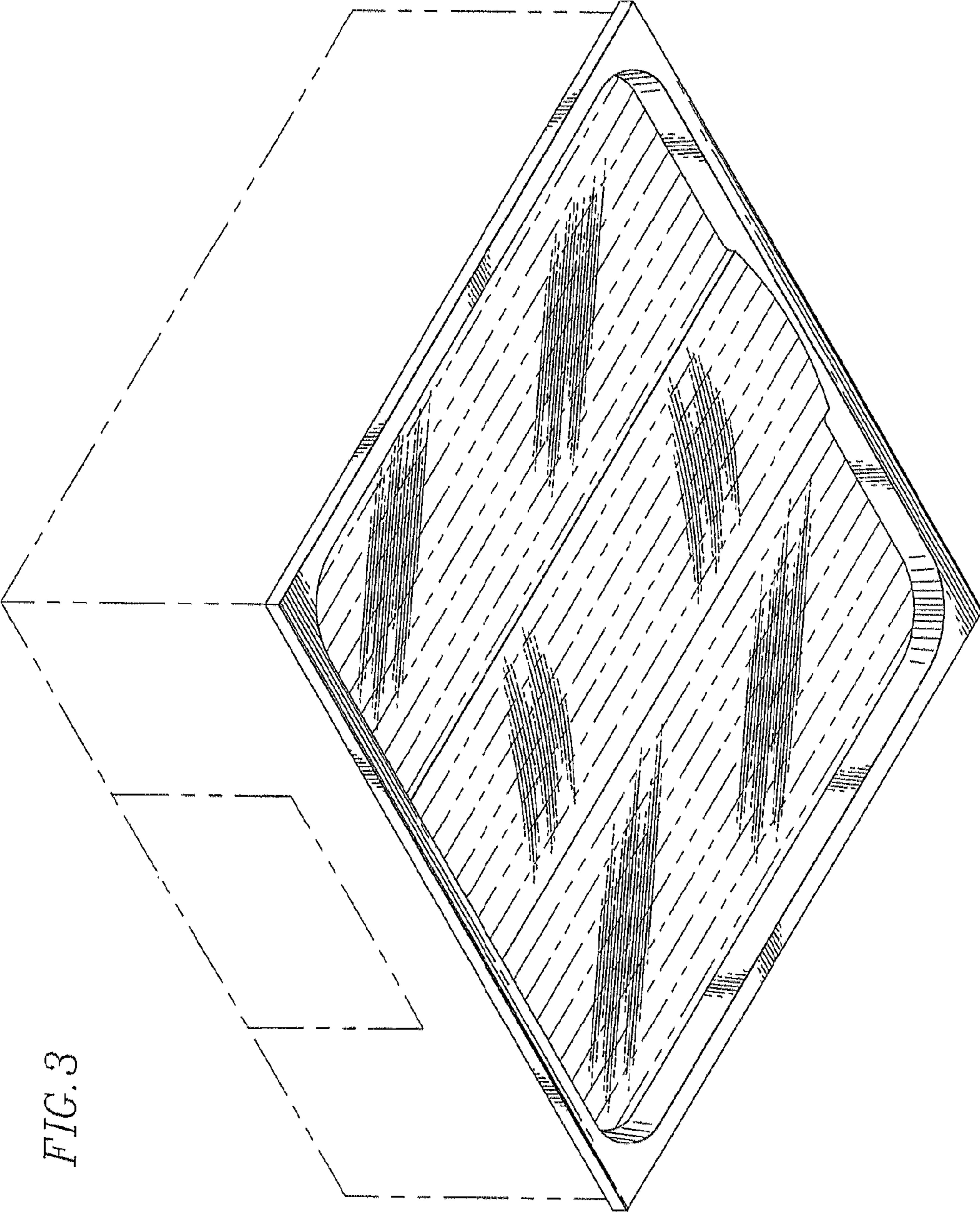


FIG. 3

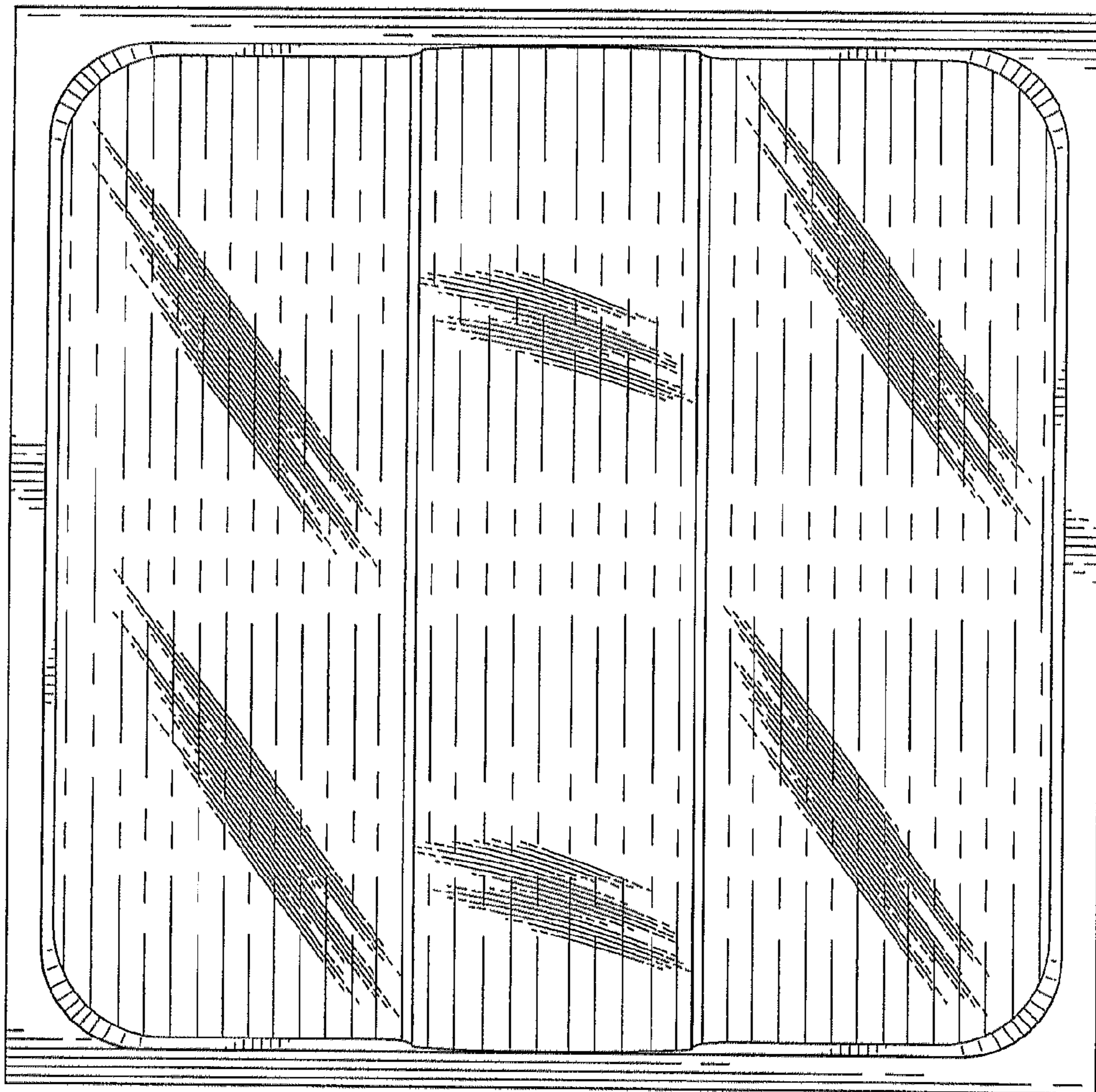


FIG. 4

FIG. 5

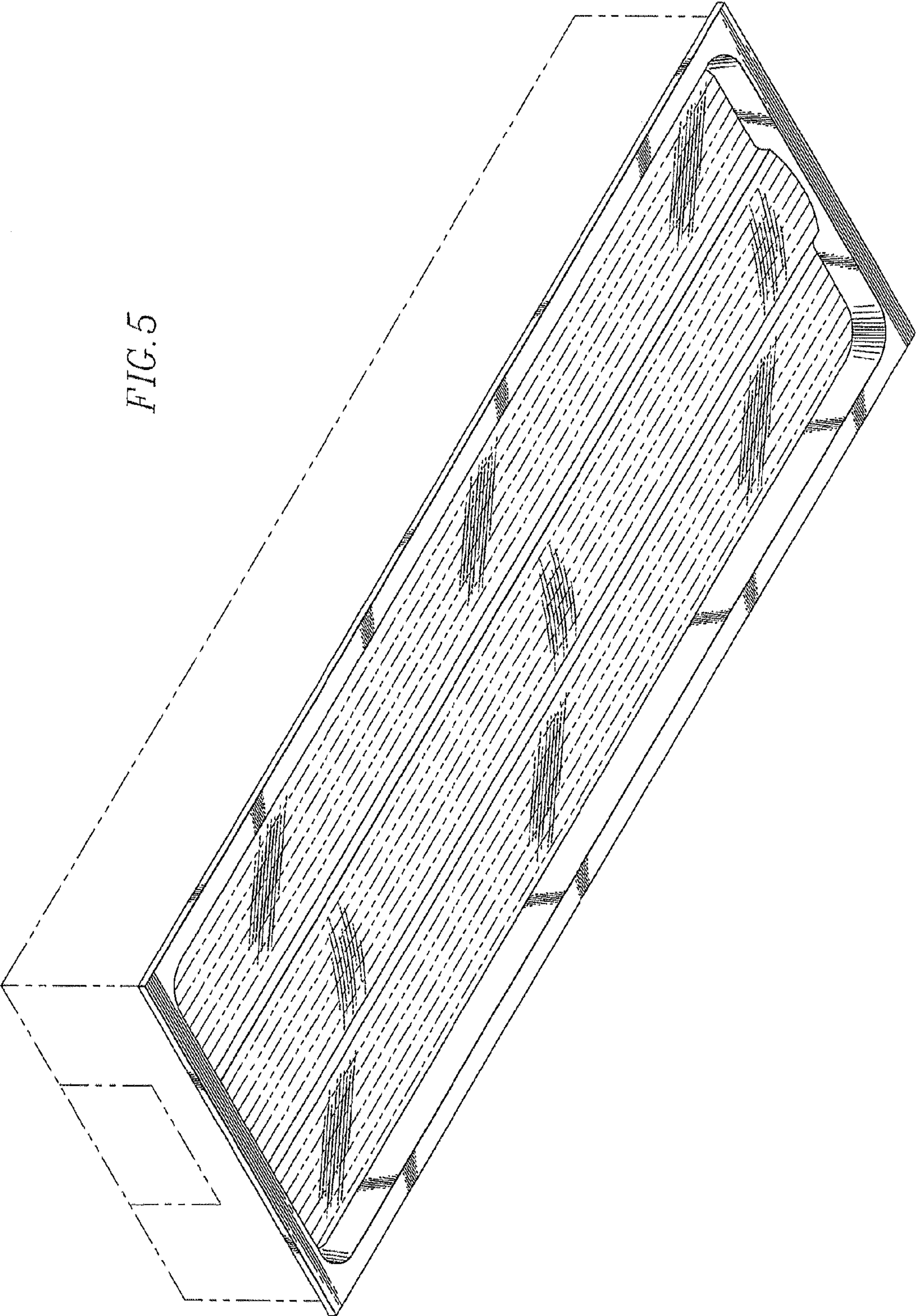


FIG. 6

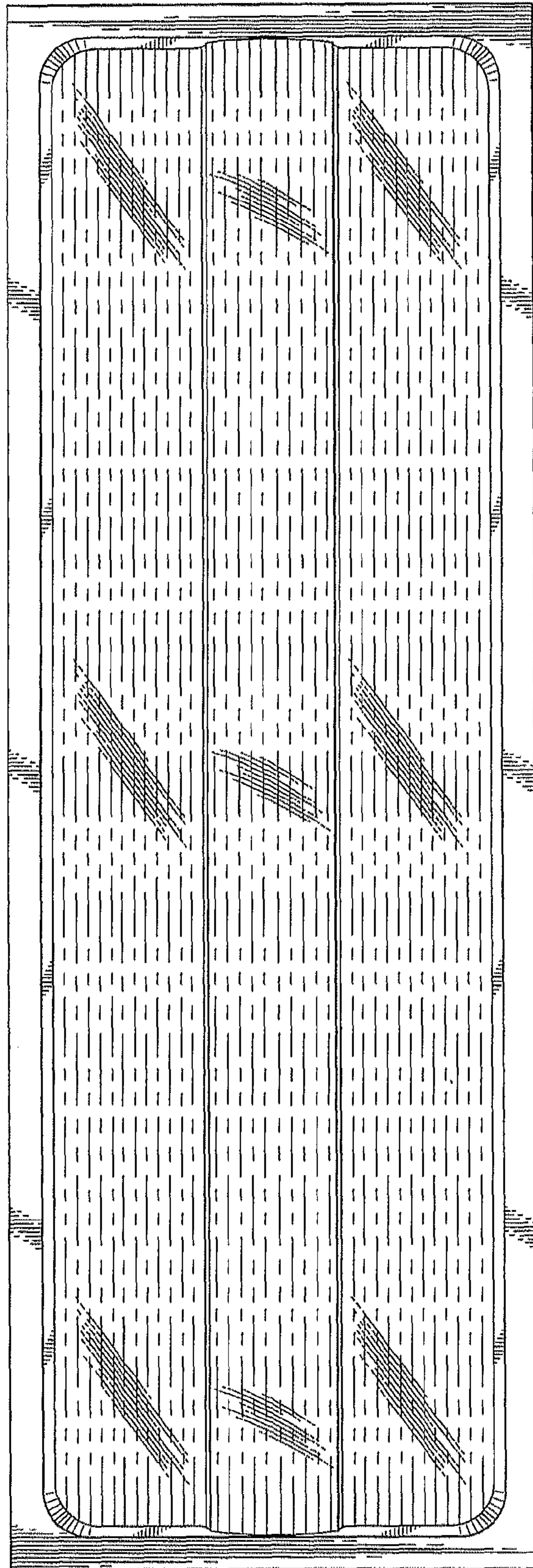


FIG. 7

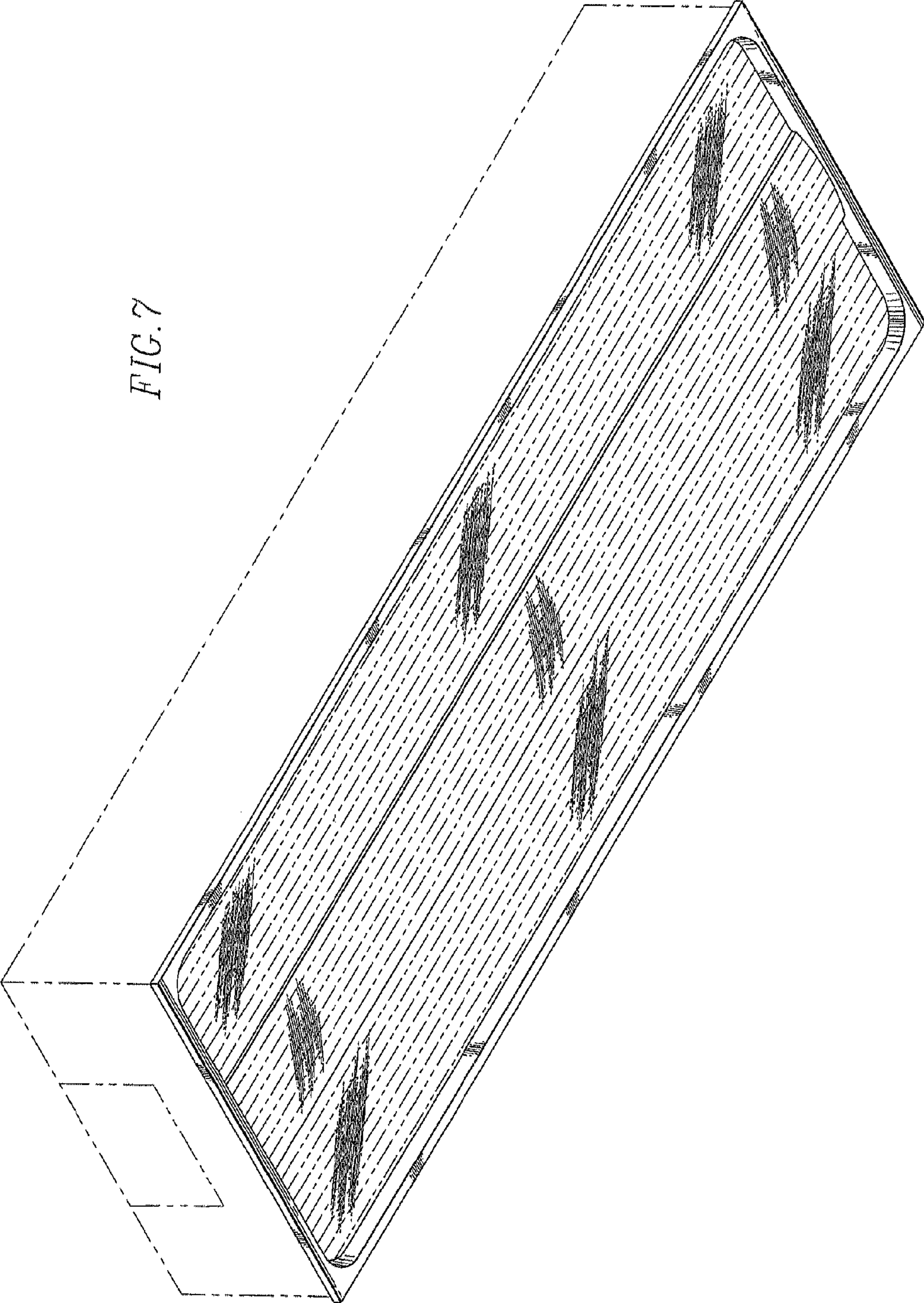


FIG. 8

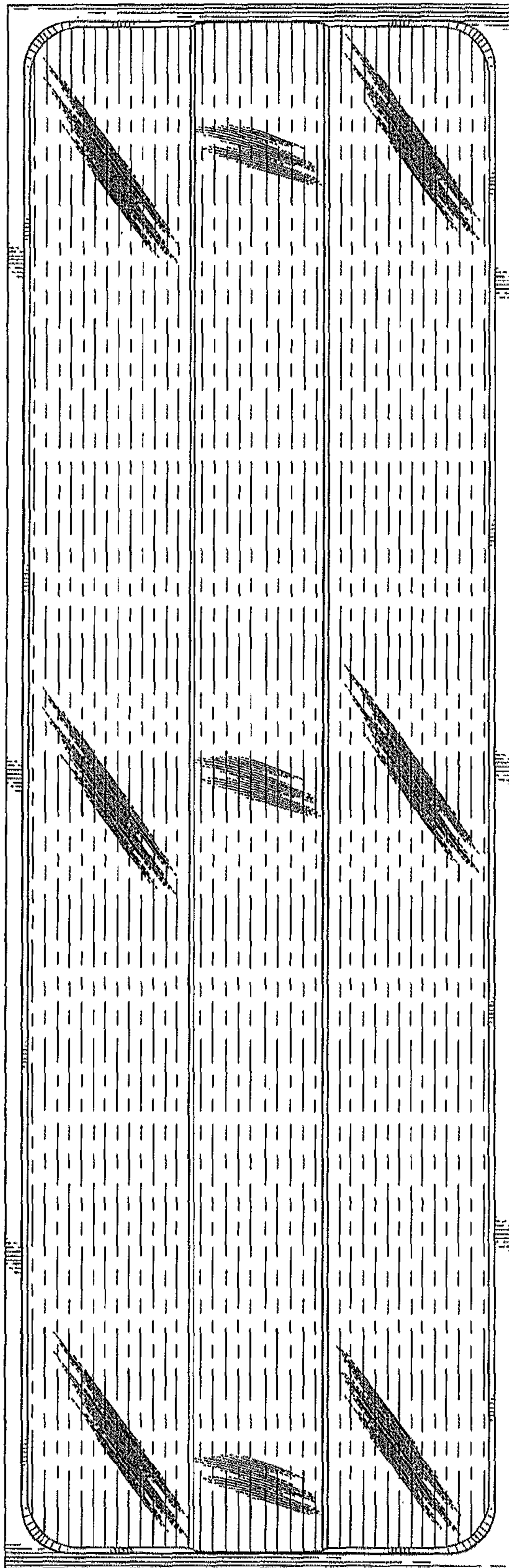


FIG. 9

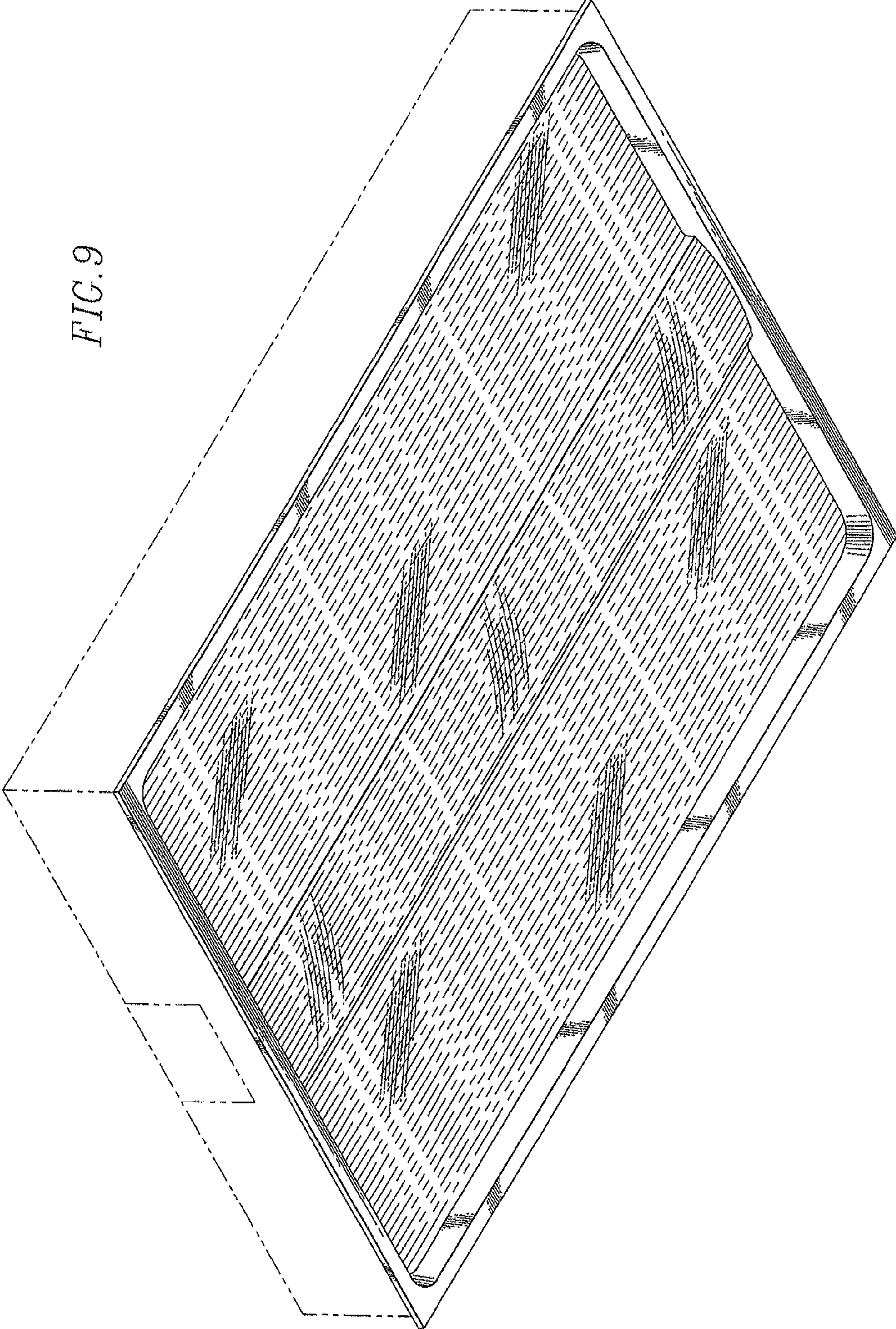


FIG. 10

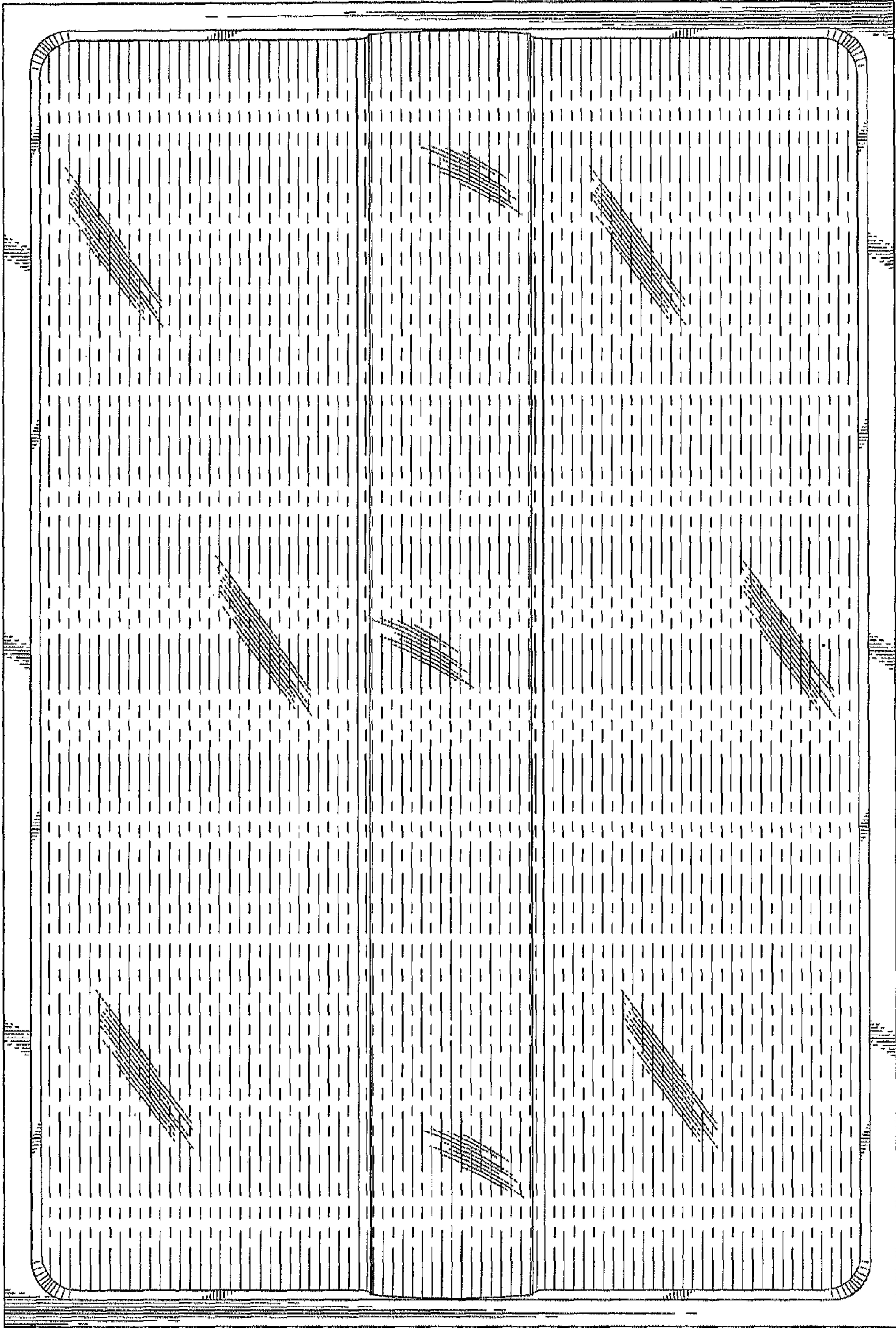


FIG. 11

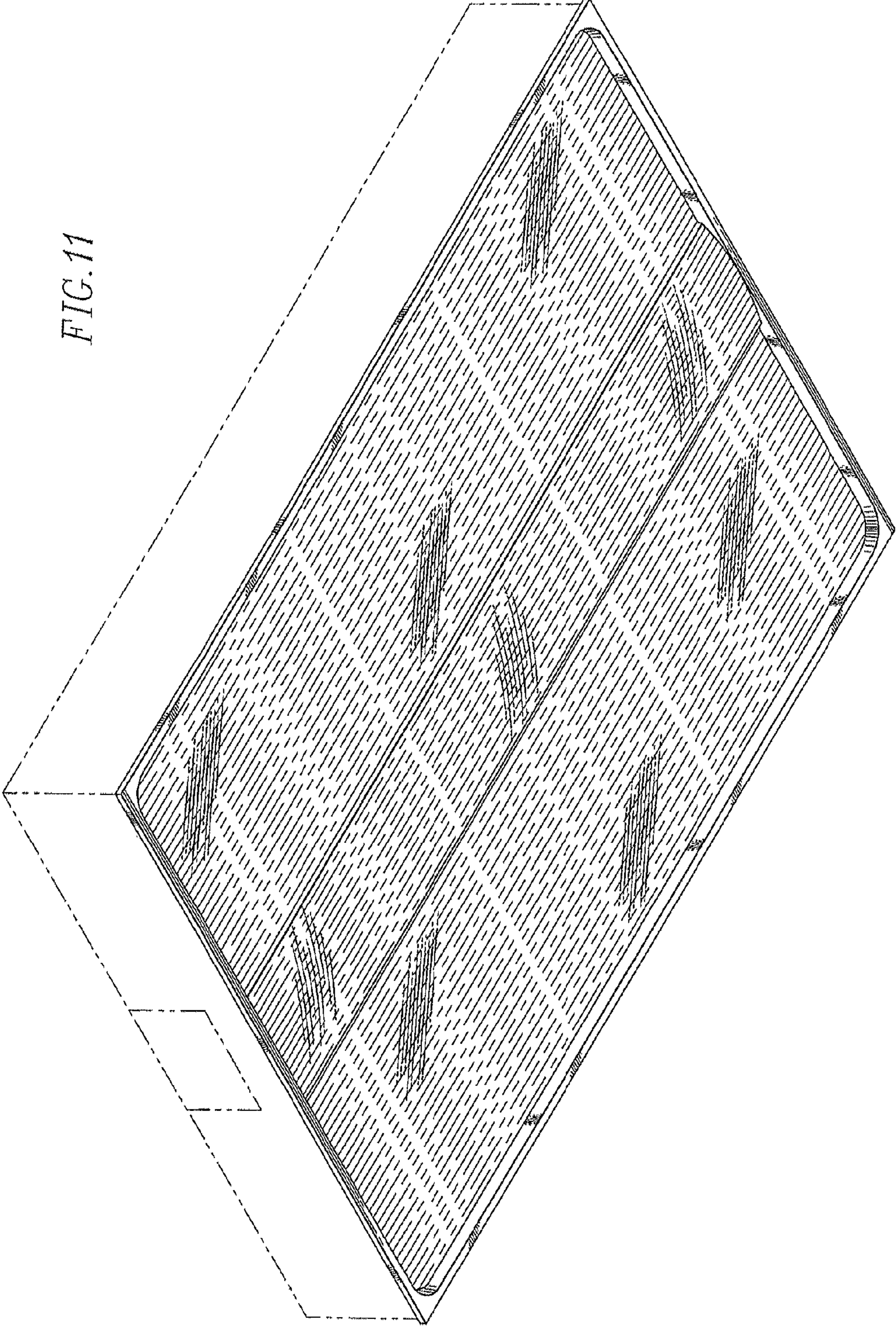


FIG. 12

