

US00D677814S

(12) **United States Design Patent**
Tada

(10) **Patent No.:** **US D677,814 S**
(45) **Date of Patent:** **** Mar. 12, 2013**

(54) **FRONT COMBINATION LAMP FOR AN AUTOMOBILE**

D549,857 S * 8/2007 Lin D26/28
D556,349 S * 11/2007 Golden et al. D26/28
D561,358 S * 2/2008 Tachibana D26/28

(75) Inventor: **Horoyuki Tada**, Nagoya (JP)

OTHER PUBLICATIONS

(73) Assignee: **Toyota Jidosha Kabushiki Kaisha**,
Toyota-shi, Aichi-ken (JP)

Catalogue of Toyota Voxy; Voxy; Mfg.: Toyota; Publisher: Toyota Jidosha Kabushiki Kaisha 2004.

Catalogue of Toyota Vellfire; Vellfire; Mfg.: Toyota; Publisher: Toyota Jidosha Kabushiki Kaisha 2002.

(**) Term: **14 Years**

* cited by examiner

(21) Appl. No.: **29/424,129**

Primary Examiner — Marcus Jackson

(22) Filed: **Jun. 7, 2012**

(74) *Attorney, Agent, or Firm* — Finnegan, Henderson, Farabow, Garrett & Dunner, LLP

(30) **Foreign Application Priority Data**

(57) **CLAIM**

Mar. 9, 2012 (JP) 2012-005415

The ornamental design for the front combination lamp for an automobile, as shown and described.

(51) **LOC (9) Cl.** **26-06**

DESCRIPTION

(52) **U.S. Cl.** **D26/28**

(58) **Field of Classification Search** D26/28-36;
362/459-468, 475-478, 485-487

FIG. 1 is a perspective view of a front combination lamp for an automobile showing my new design;
FIG. 2 is a front view thereof;
FIG. 3 is a rear view thereof;
FIG. 4 is a left side elevation view thereof;
FIG. 5 is a right side elevation view thereof;
FIG. 6 is a top plan view thereof; and,
FIG. 7 is a bottom view thereof.

See application file for complete search history.

My design includes a mirror image of the embodiment depicted.

(56) **References Cited**

U.S. PATENT DOCUMENTS

D528,681 S * 9/2006 Nakahara D26/28
D528,685 S * 9/2006 Yoshida D26/28
D544,114 S * 6/2007 Ohta D26/28
D544,614 S * 6/2007 Markefka D26/28

1 Claim, 4 Drawing Sheets



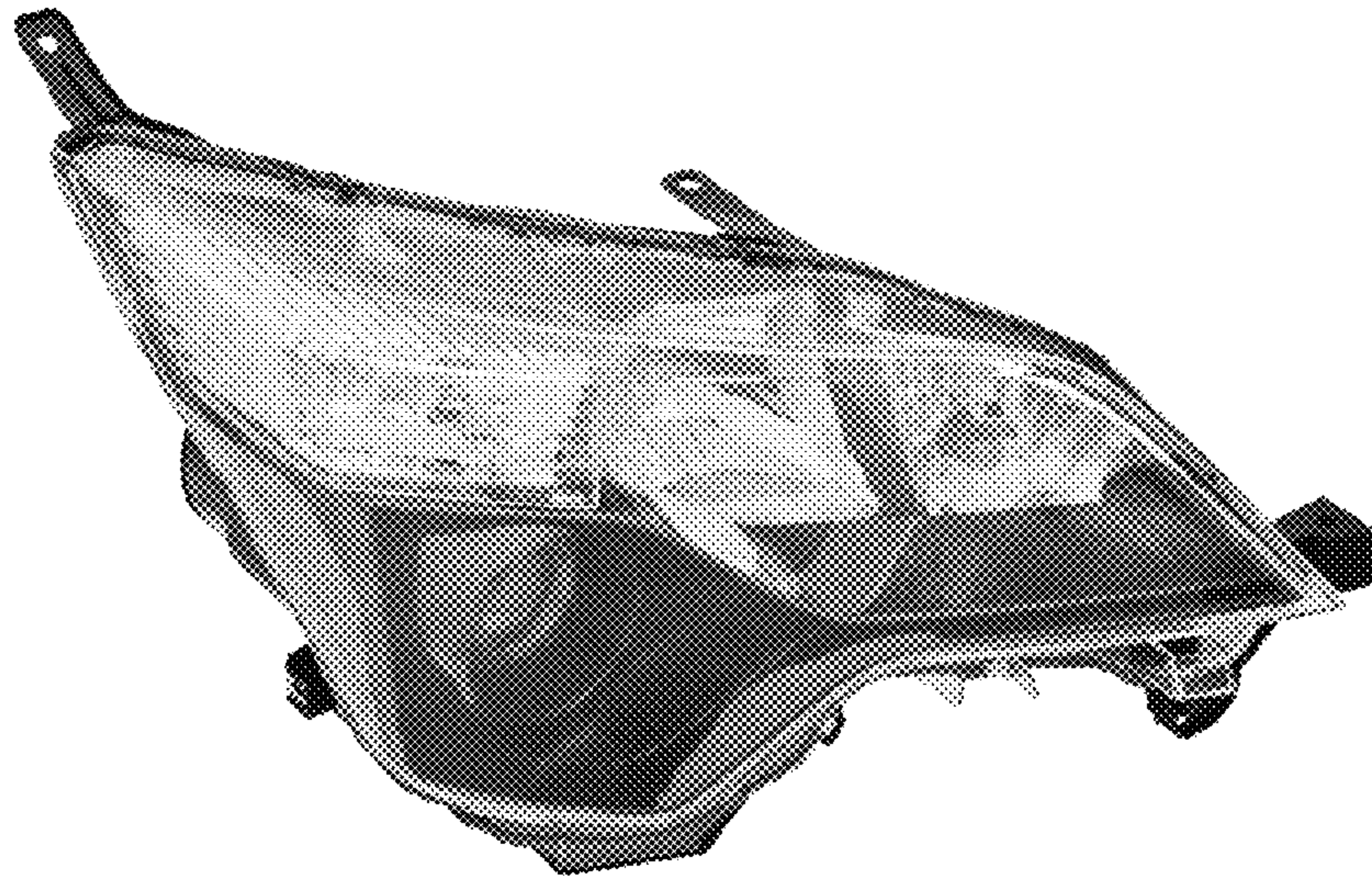


FIG. 1

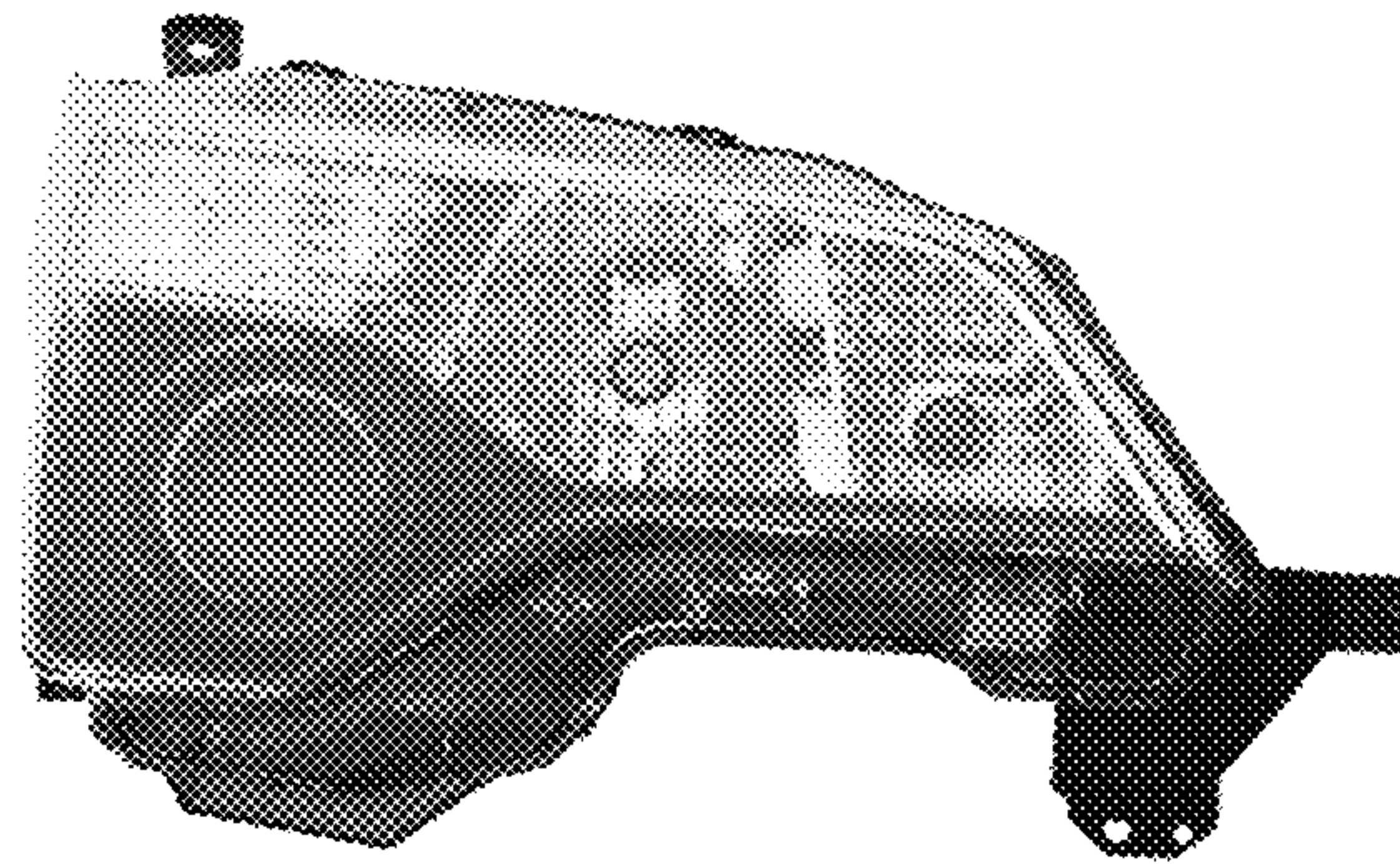


FIG. 2

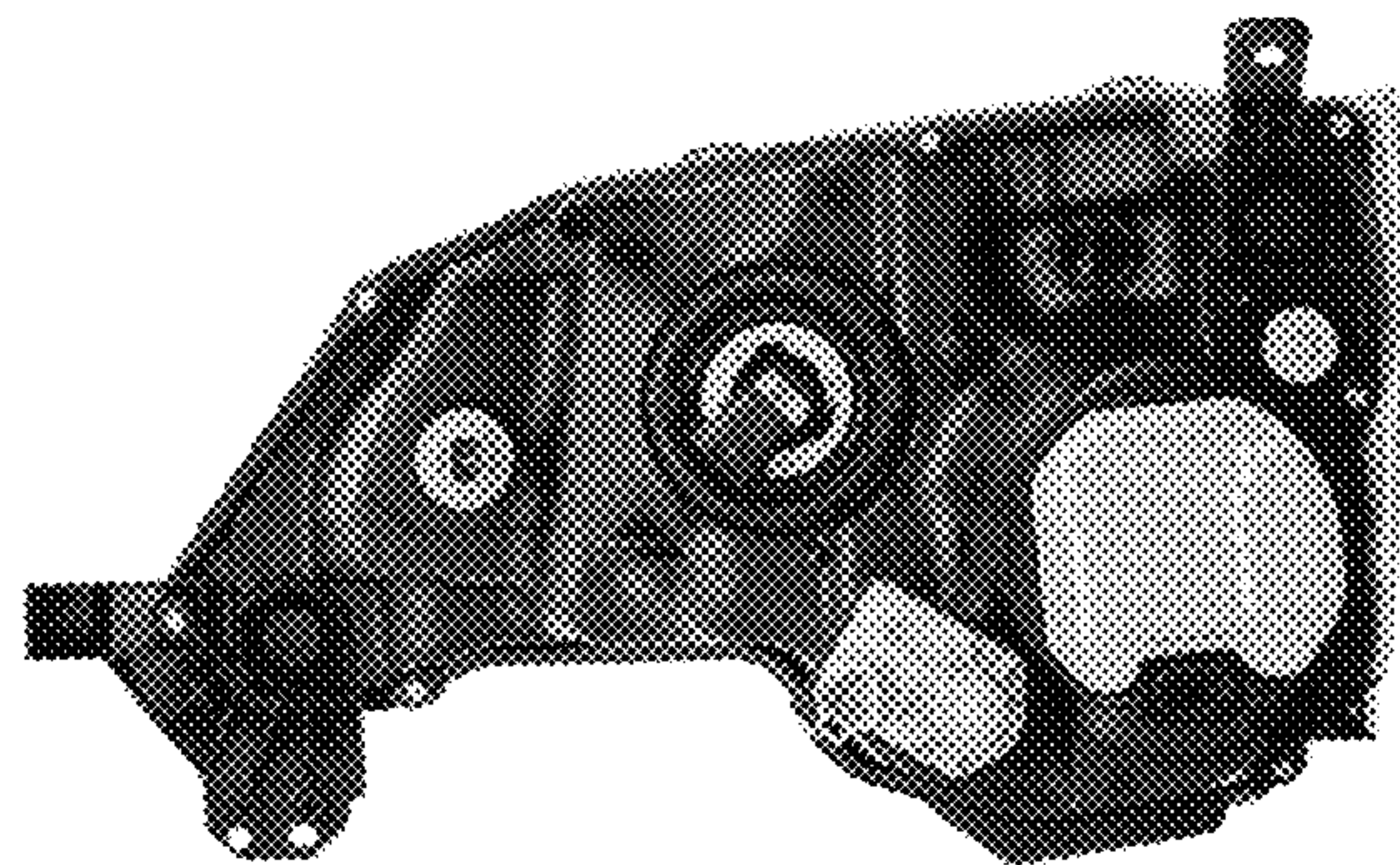


FIG. 3

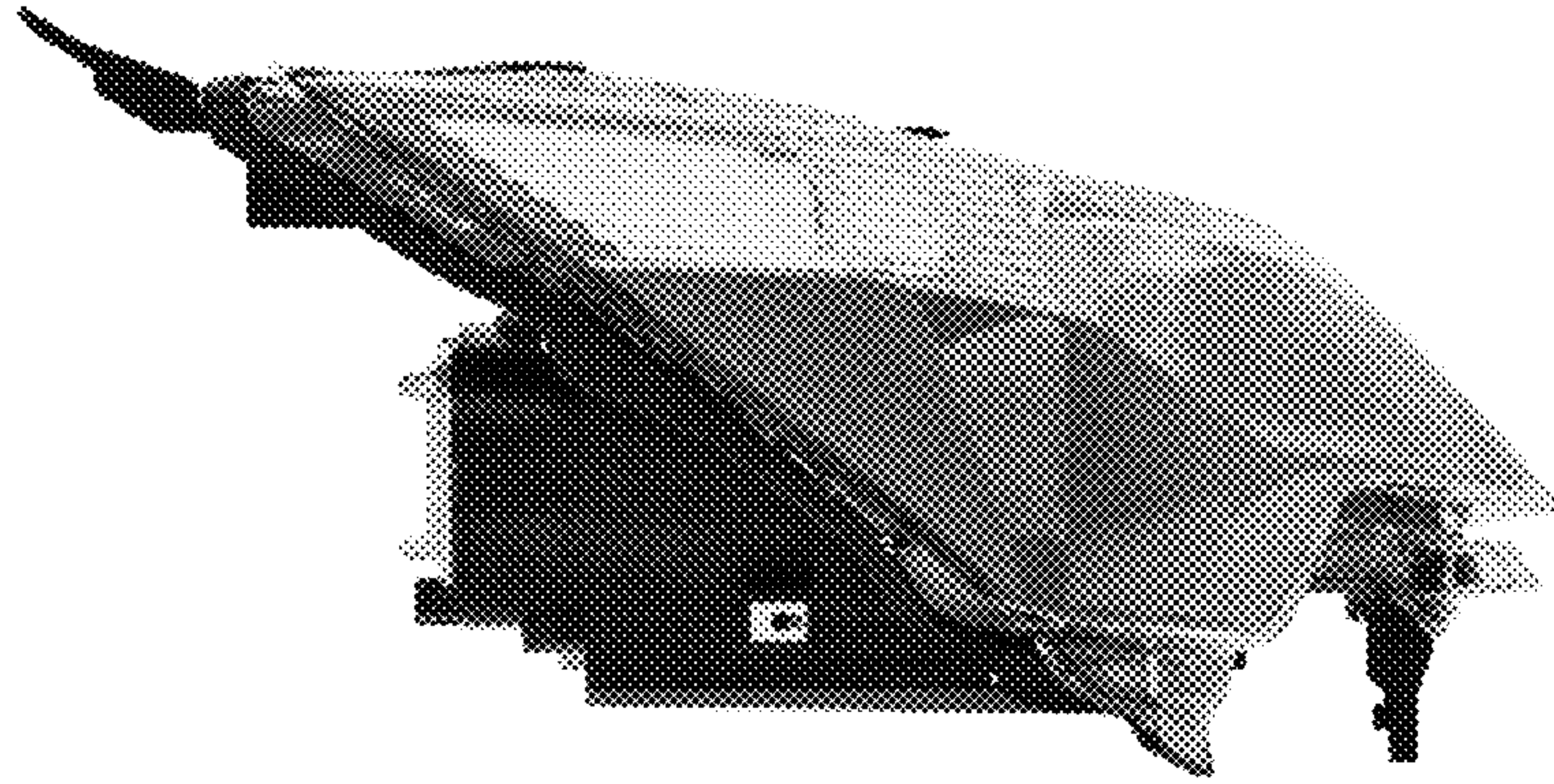


FIG. 4

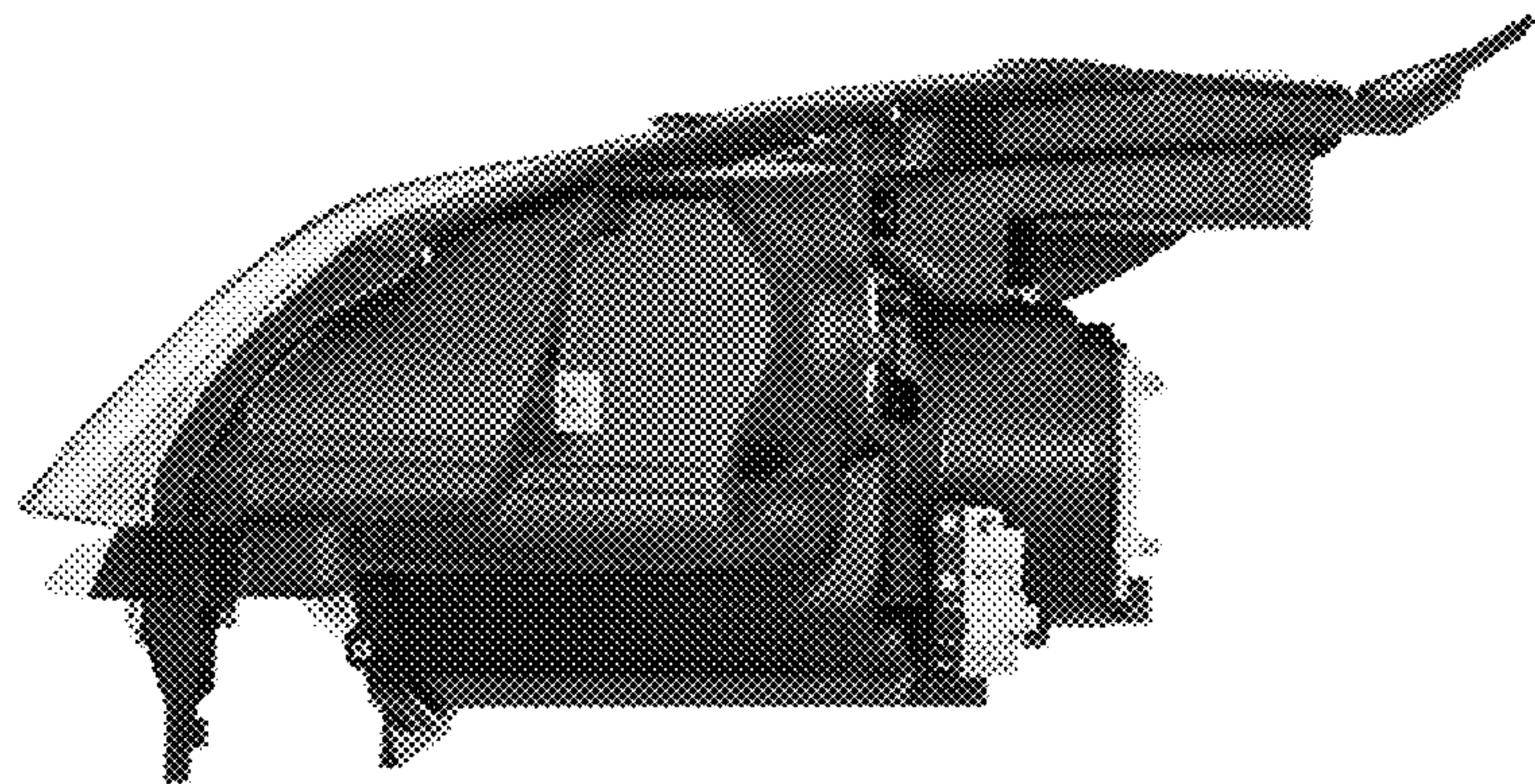


FIG. 5

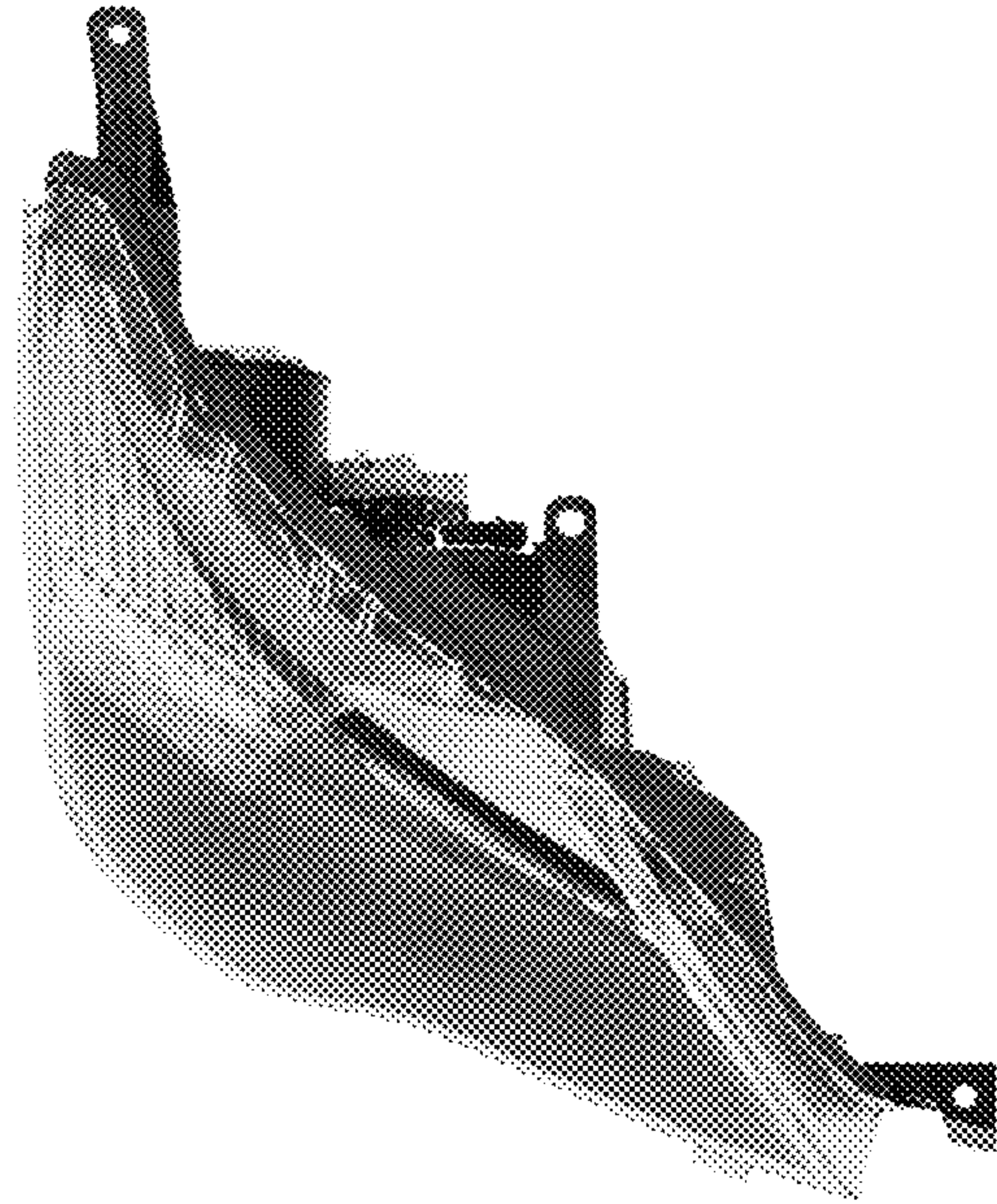


FIG. 6

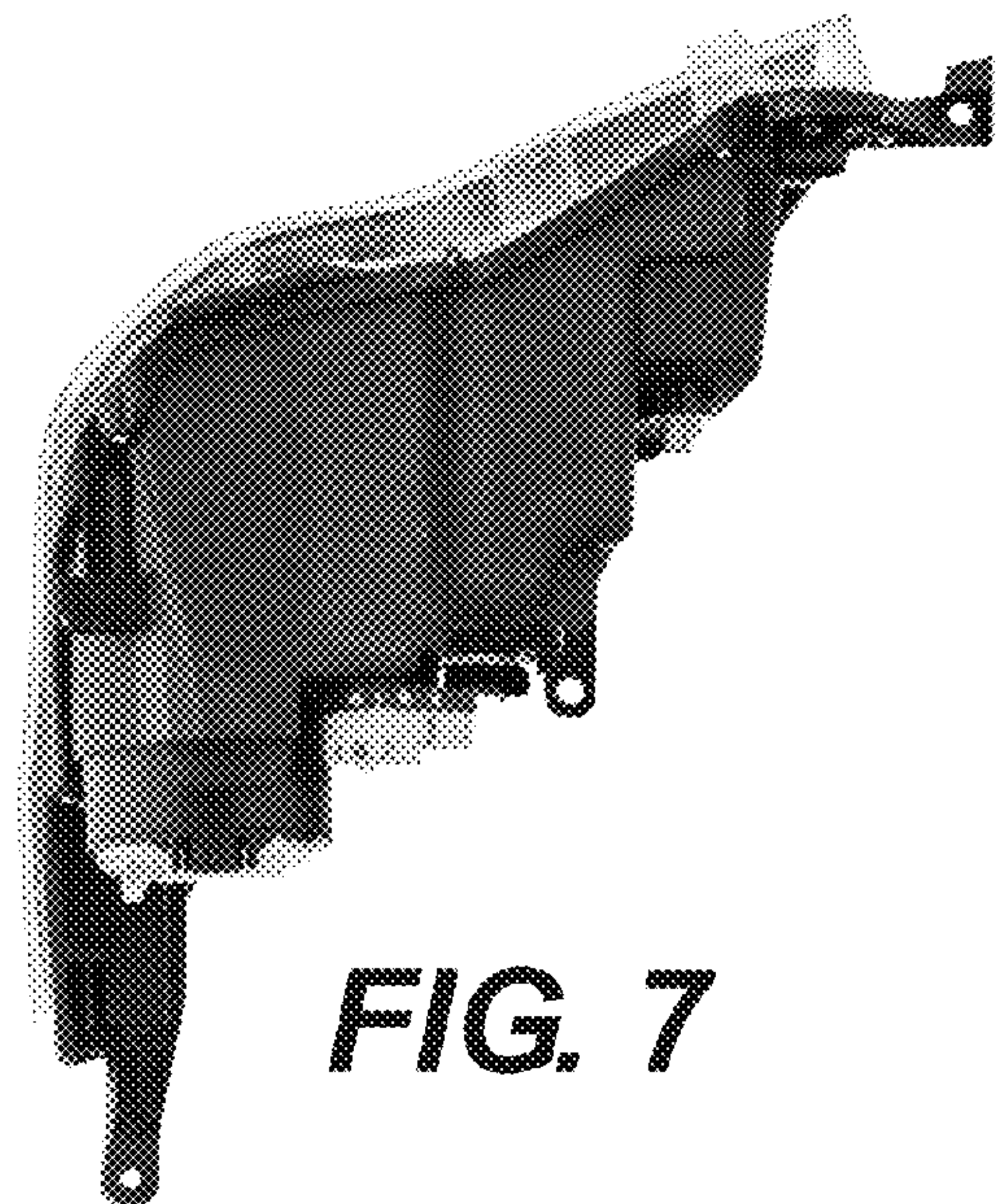


FIG. 7

UNITED STATES PATENT AND TRADEMARK OFFICE
CERTIFICATE OF CORRECTION

PATENT NO. : D677,814 S
APPLICATION NO. : 29/424129
DATED : March 12, 2013
INVENTOR(S) : Hiroyuki Tada

Page 1 of 1

It is certified that error appears in the above-identified patent and that said Letters Patent is hereby corrected as shown below:

Title page, item (75) Inventor: "Horoyuki Tada, Nagoya (JP)" should be --Hiroyuki Tada, Nagoya (JP)--

Signed and Sealed this
Thirtieth Day of April, 2013



Teresa Stanek Rea
Acting Director of the United States Patent and Trademark Office