



US00D677811S

(12) **United States Design Patent**
Maxik et al.

(10) **Patent No.:** **US D677,811 S**
(45) **Date of Patent:** **** Mar. 12, 2013**

(54) **WALL MOUNTABLE LIGHT FIXTURE**

(75) Inventors: **Fredric S. Maxik**, Indialantic, FL (US);
David E. Bartine, Cocoa, FL (US);
Mark Andrew Oostdyk, Cape
Canaveral, FL (US); **Addy S. Widjaja**,
Palm Bay, FL (US)

(73) Assignee: **Lighting Science Group Corporation**,
Satellite Beach, FL (US)

(**) Term: **14 Years**

(21) Appl. No.: **29/420,197**

(22) Filed: **May 6, 2012**

(51) **LOC (9) Cl.** **26-05**

(52) **U.S. Cl.** **D26/26**

(58) **Field of Classification Search** D26/26,
D26/125, 118, 24, 72, 85, 37; D23/366,
D23/367, 369; 362/640, 641, 642, 643, 644,
362/651, 657, 658, 659

See application file for complete search history.

(56) **References Cited**

U.S. PATENT DOCUMENTS

D270,095 S *	8/1983	Palmer	D26/26
D287,408 S *	12/1986	Gaines	D26/26
D294,180 S *	2/1988	Johnson et al.	D26/93
D342,581 S *	12/1993	Reynolds	D26/26
D393,912 S *	4/1998	Yuen	D26/26
D409,317 S *	5/1999	Yuen	D26/26
D444,248 S *	6/2001	Boessel	D26/26
D449,700 S *	10/2001	Liu et al.	D26/26
D457,974 S *	5/2002	Piegras et al.	D26/26
D524,457 S *	7/2006	Chan	D26/26

D536,805 S *	2/2007	Yuen	D26/26
D642,709 S *	8/2011	Kang	D26/26
D645,175 S *	9/2011	Stolte et al.	D26/26

* cited by examiner

Primary Examiner — Angela J Lee

(74) *Attorney, Agent, or Firm* — Mark R. Malek, Esq.; Zies
Widerman & Malek

(57) **CLAIM**

The ornamental design of a wall mountable light fixture, as
shown and described.

DESCRIPTION

FIG. 1 is a front perspective view of a wall mountable light
fixture according to the present invention.

FIG. 2 is a rear perspective view of the wall mountable light
fixture illustrated in FIG. 1.

FIG. 3 is a rear elevation view of the wall mountable light
fixture illustrated in FIG. 1.

FIG. 4 is a front elevation view of the wall mountable light
fixture illustrated in FIG. 1.

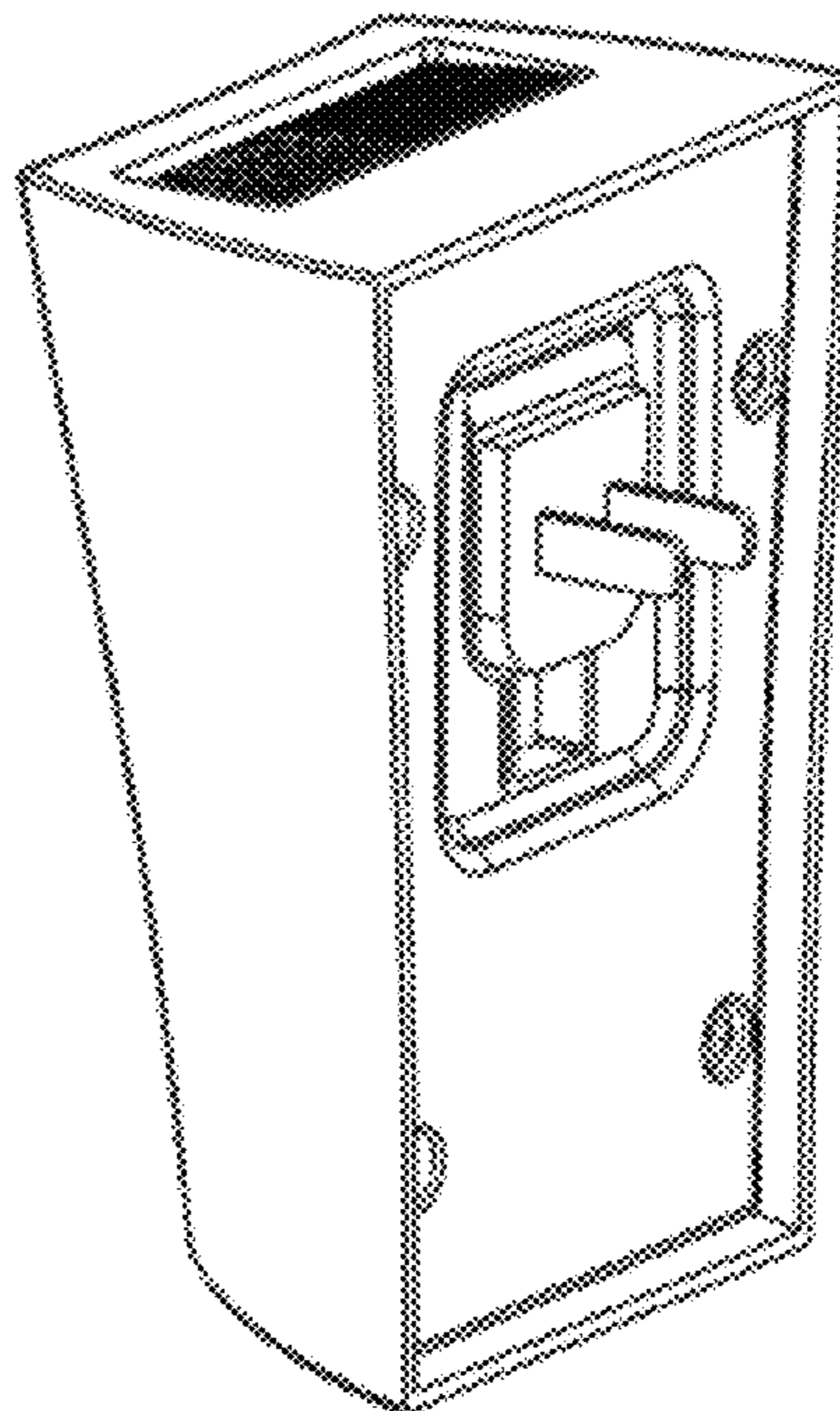
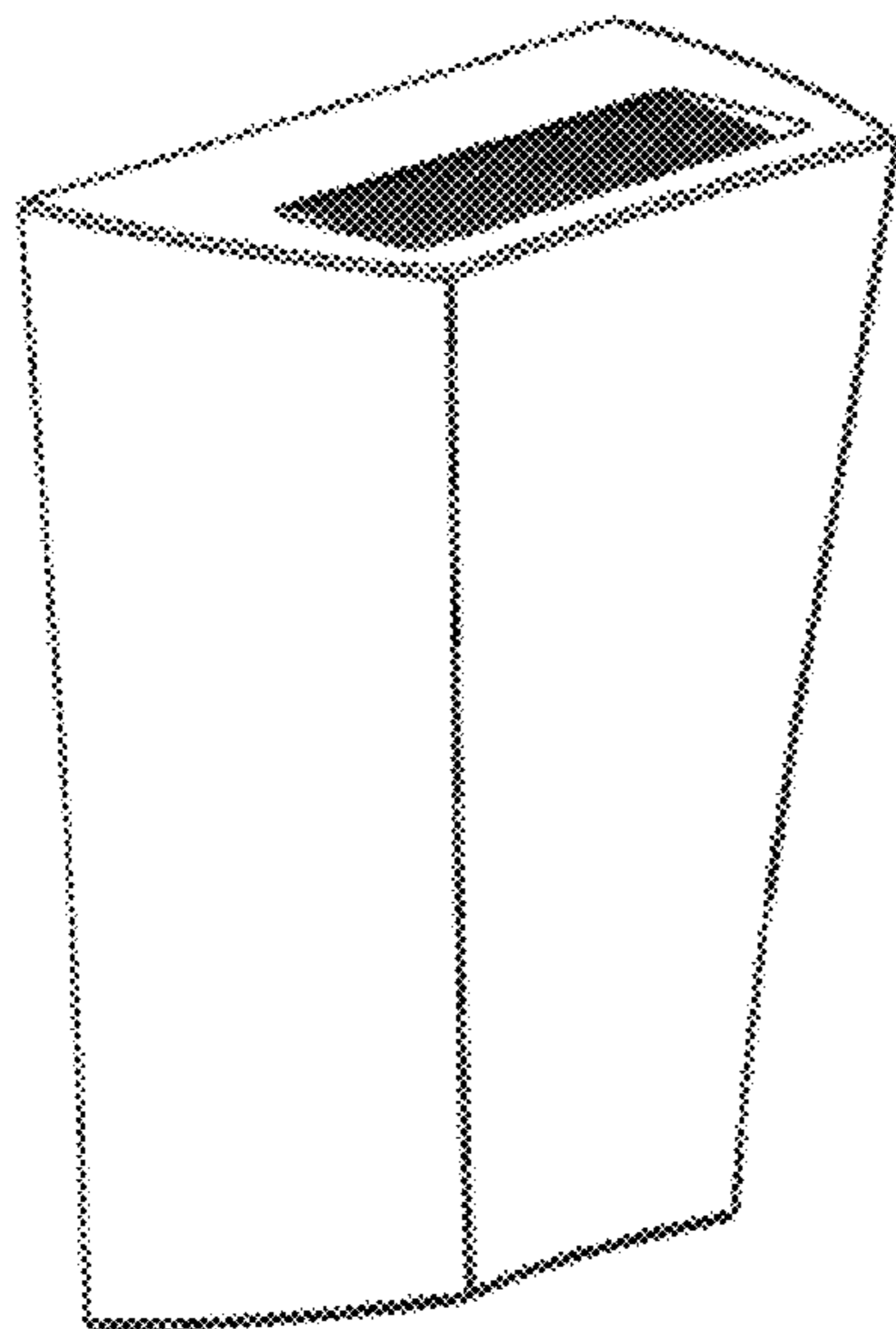
FIG. 5 is a left side elevation view of the wall mountable light
fixture illustrated in FIG. 1.

FIG. 6 is a right side elevation view of the wall mountable
light fixture illustrated in FIG. 1.

FIG. 7 is a bottom plan view of the wall mountable light
fixture illustrated in FIG. 1; and,

FIG. 8 is a top plan view of the wall mountable light fixture
illustrated in FIG. 1.

1 Claim, 4 Drawing Sheets



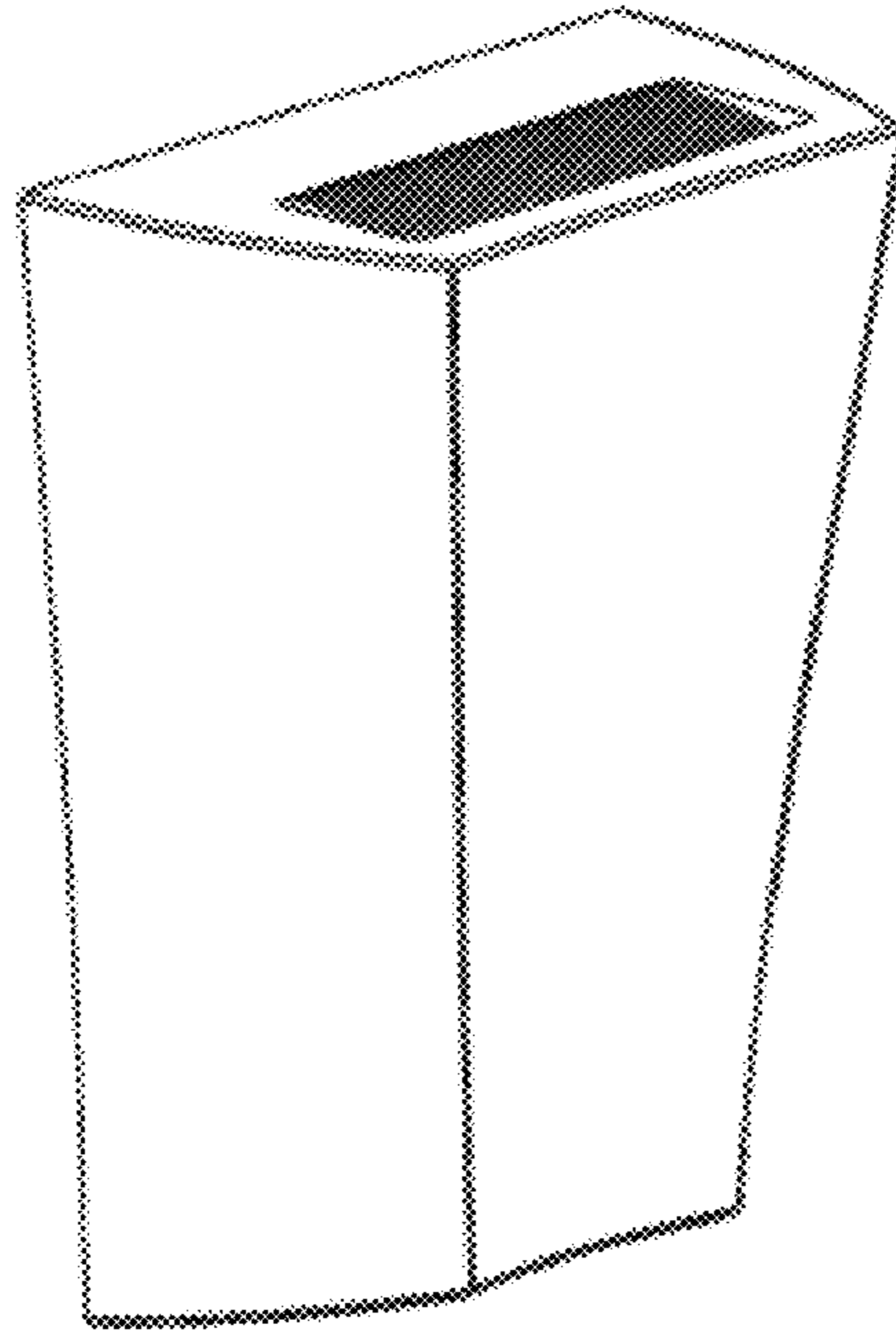


FIG. 1

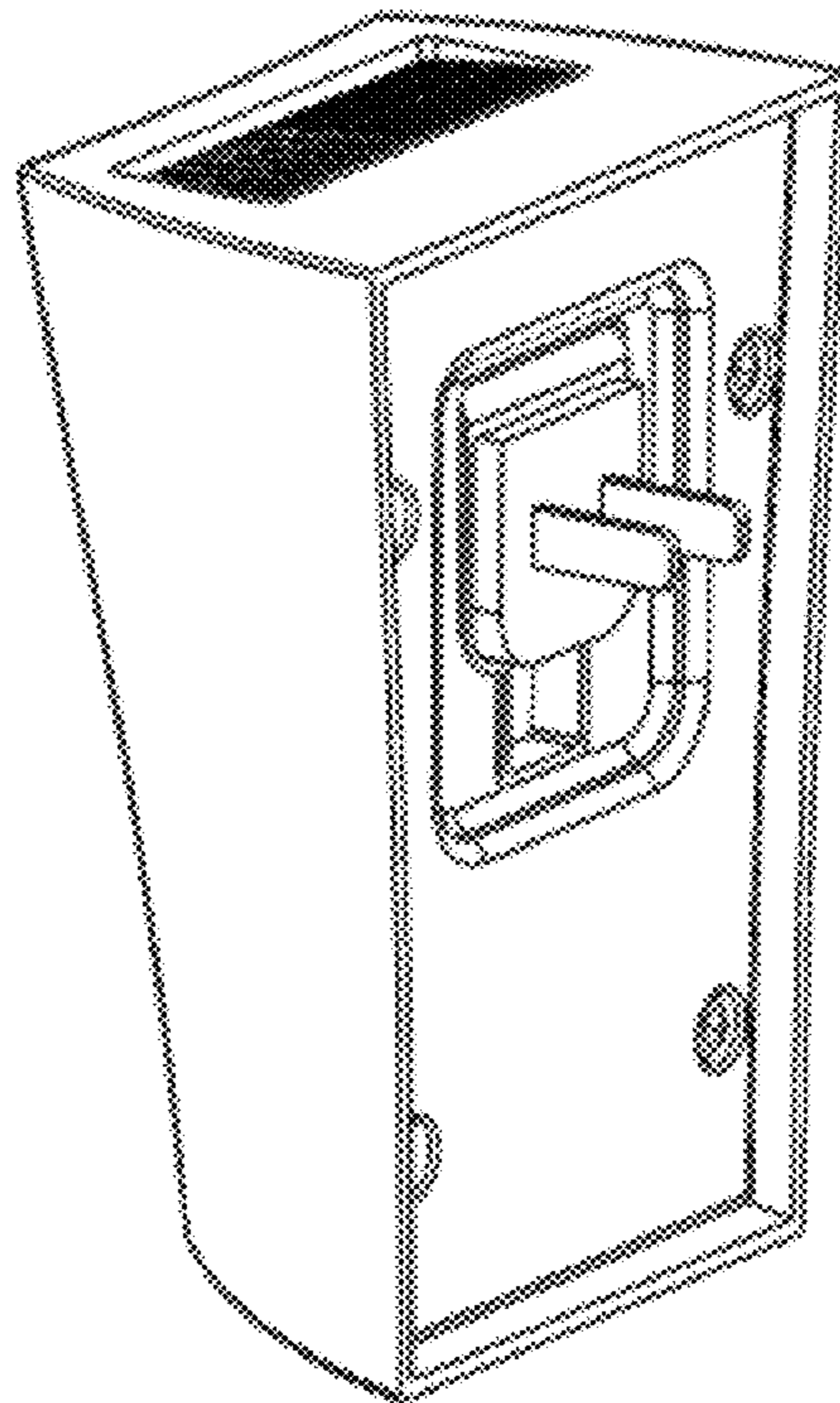


FIG. 2

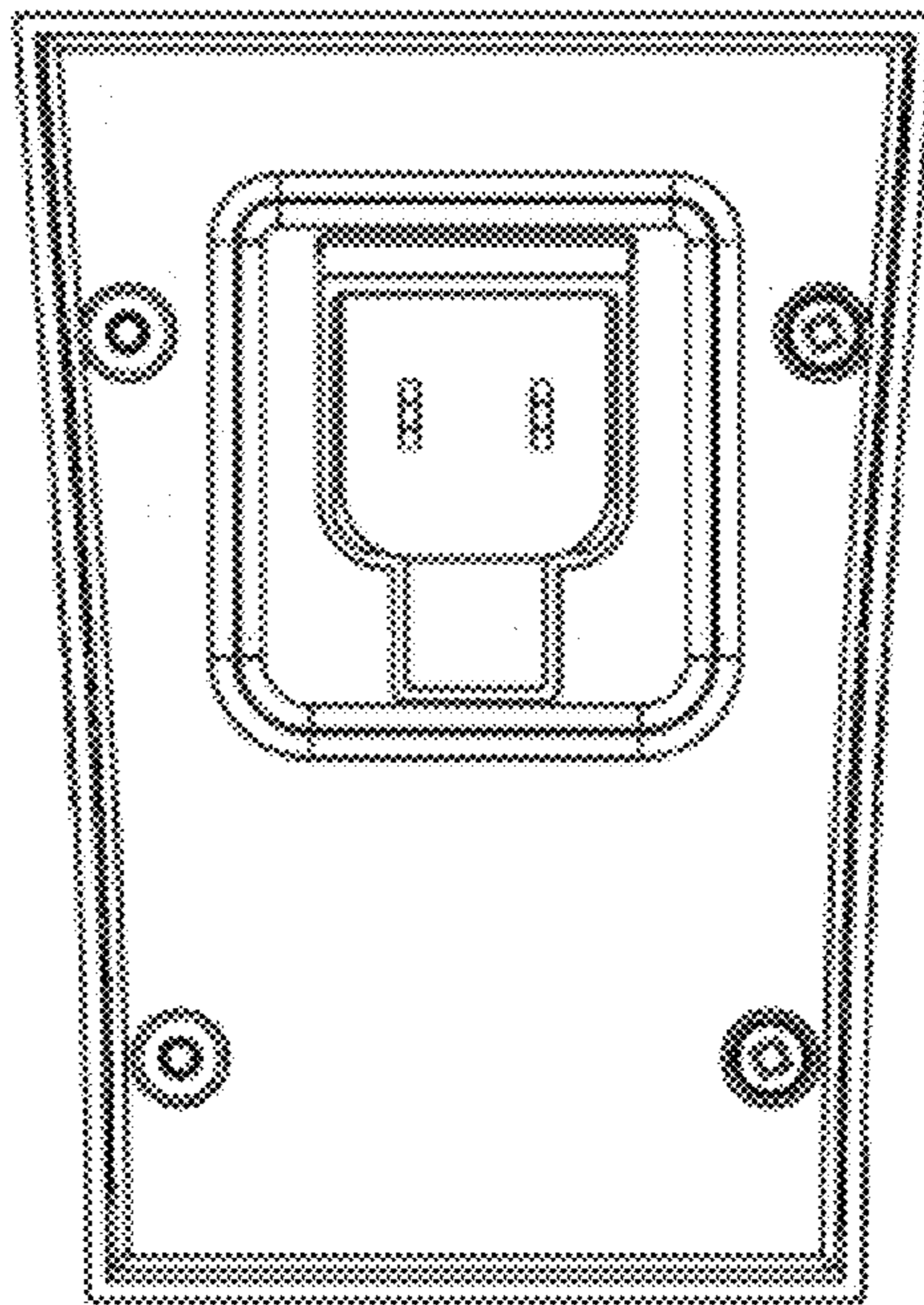


FIG. 3

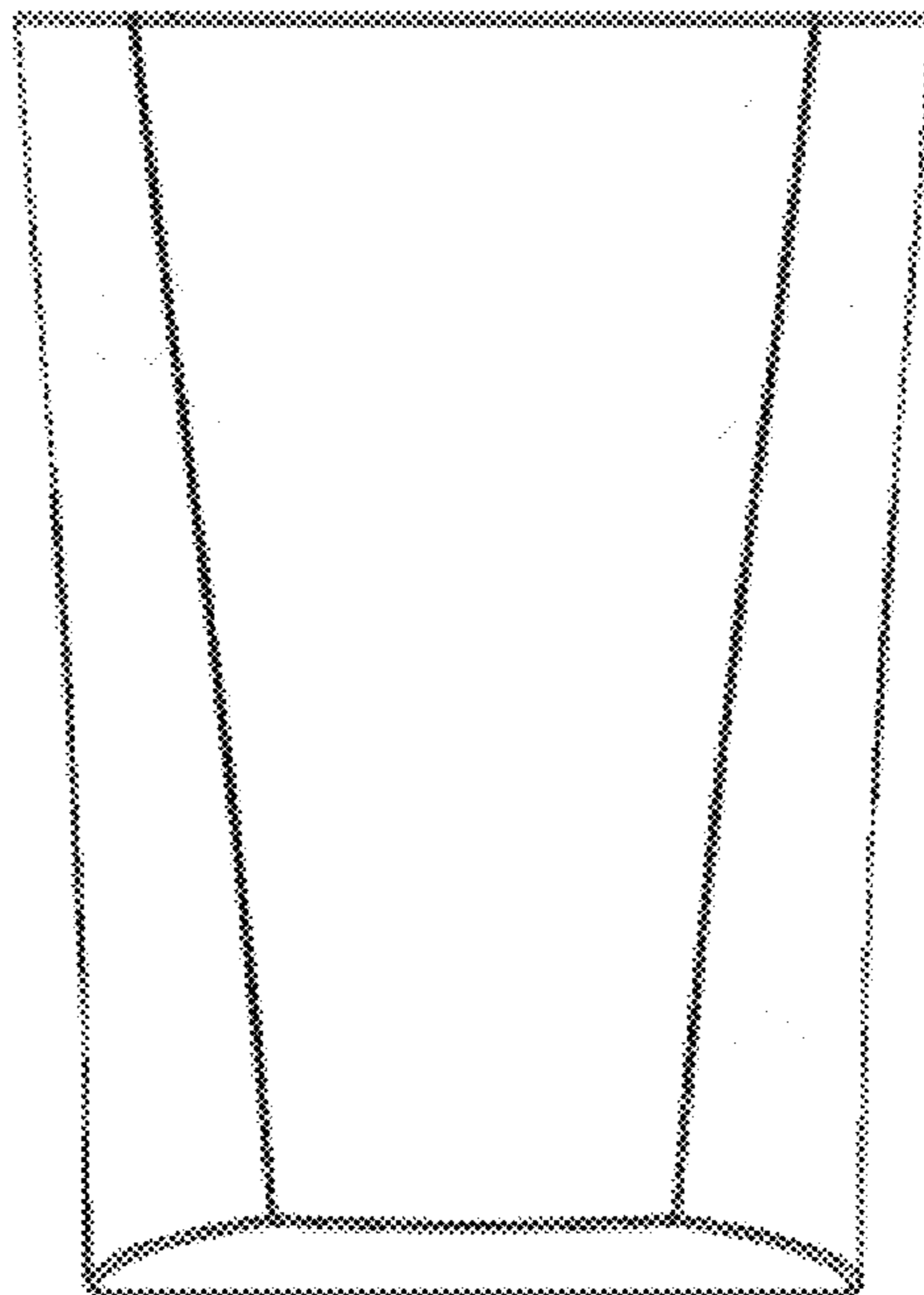


FIG. 4

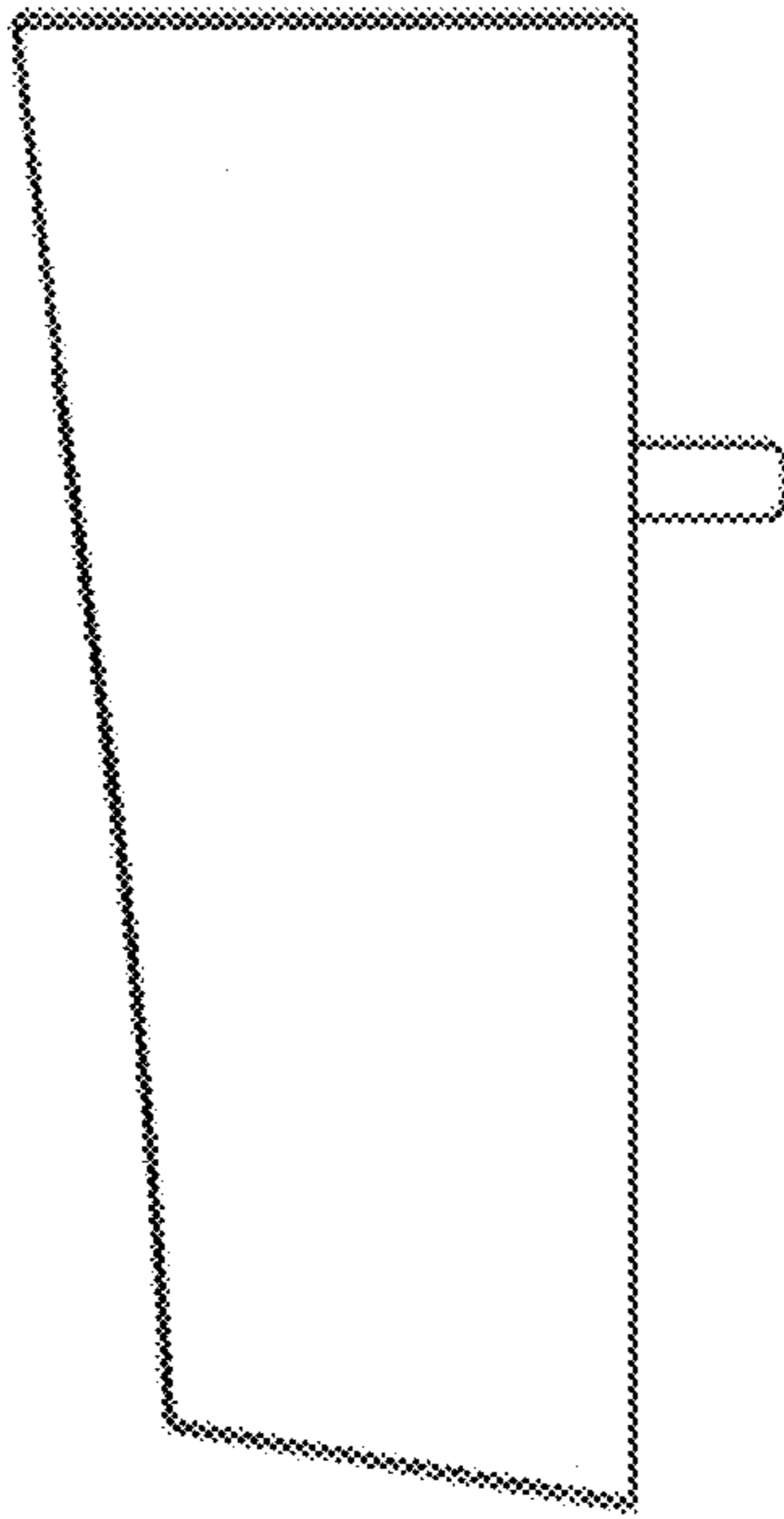


FIG. 5

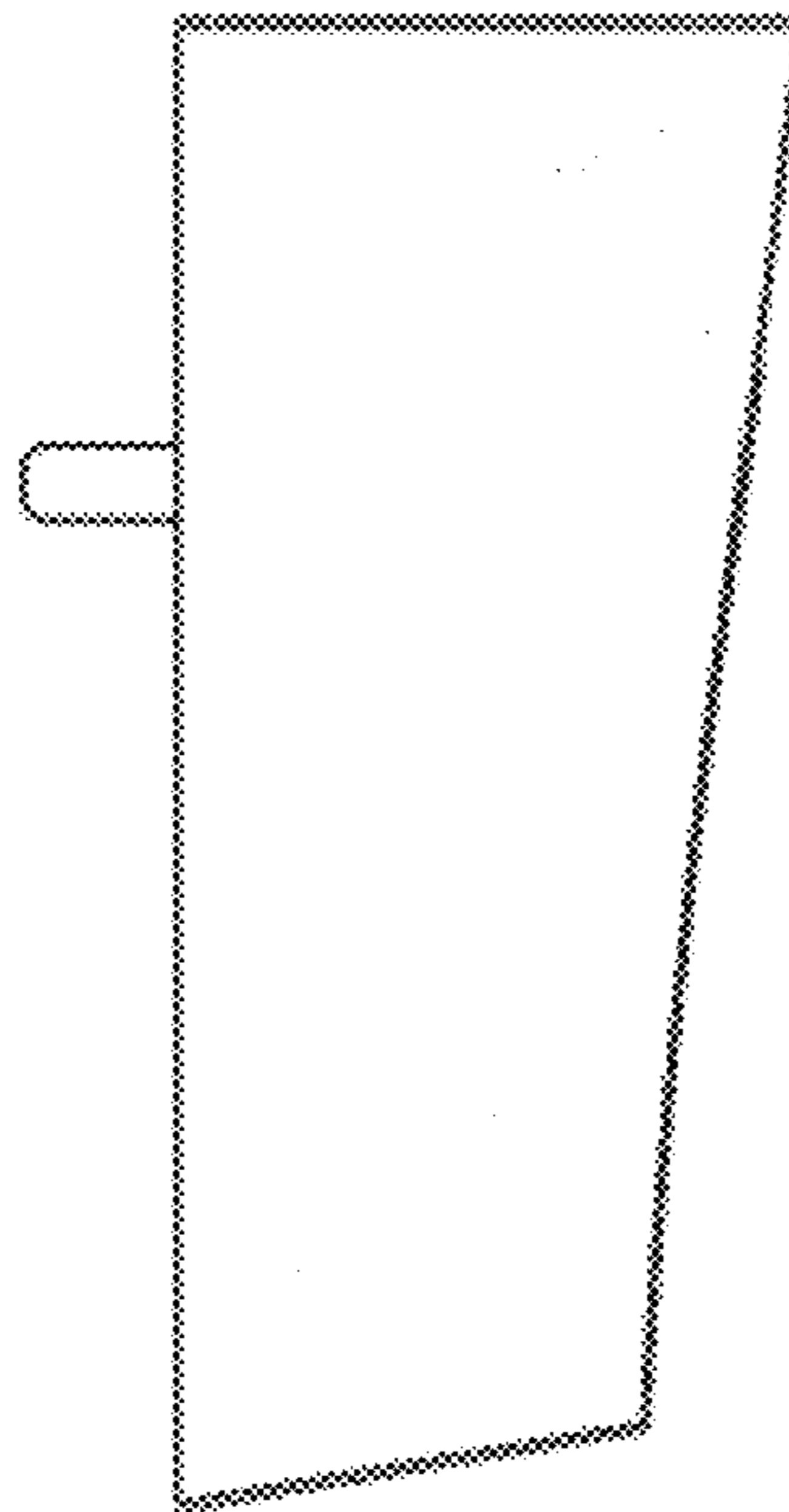


FIG. 6

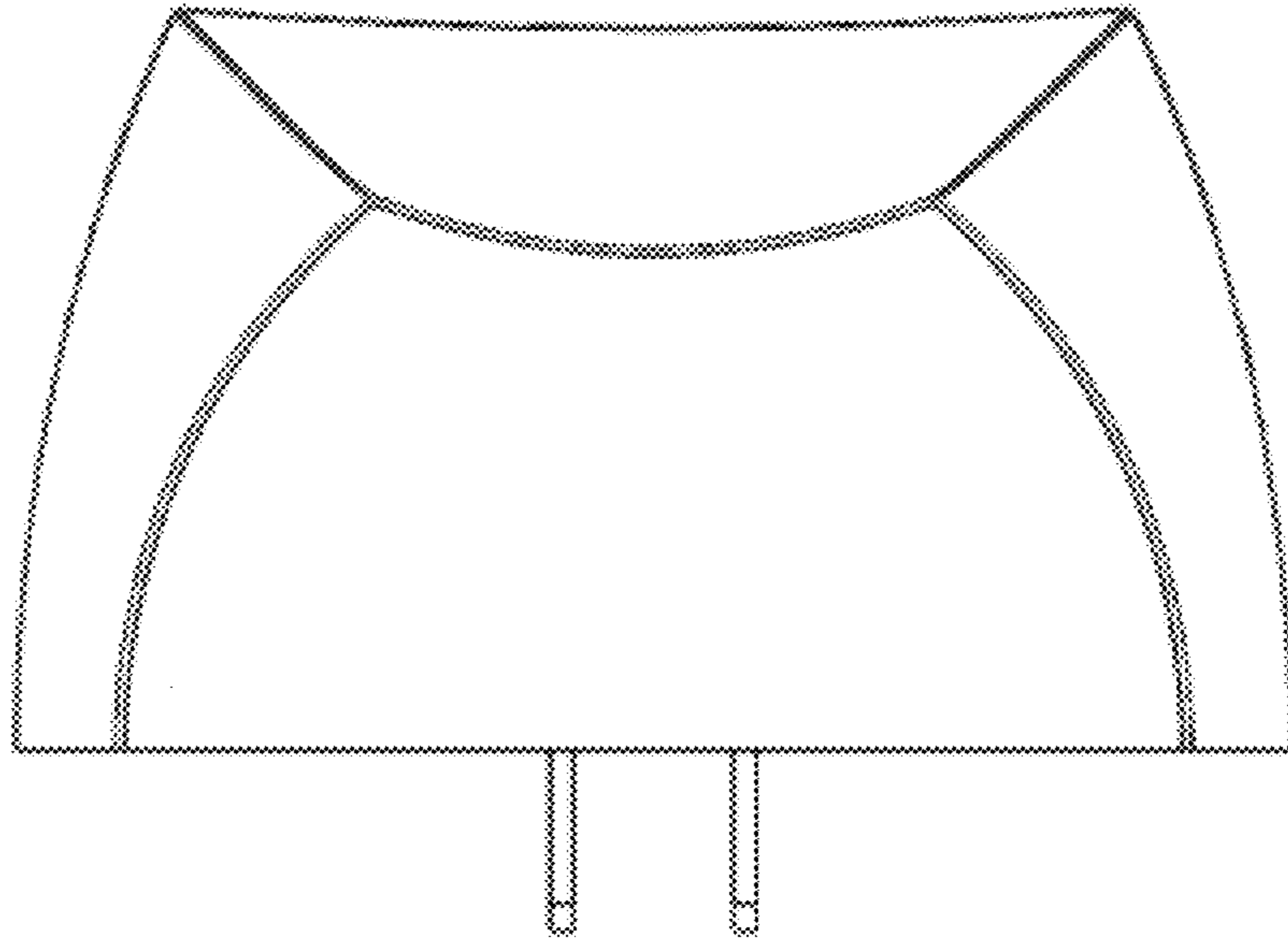


FIG. 7

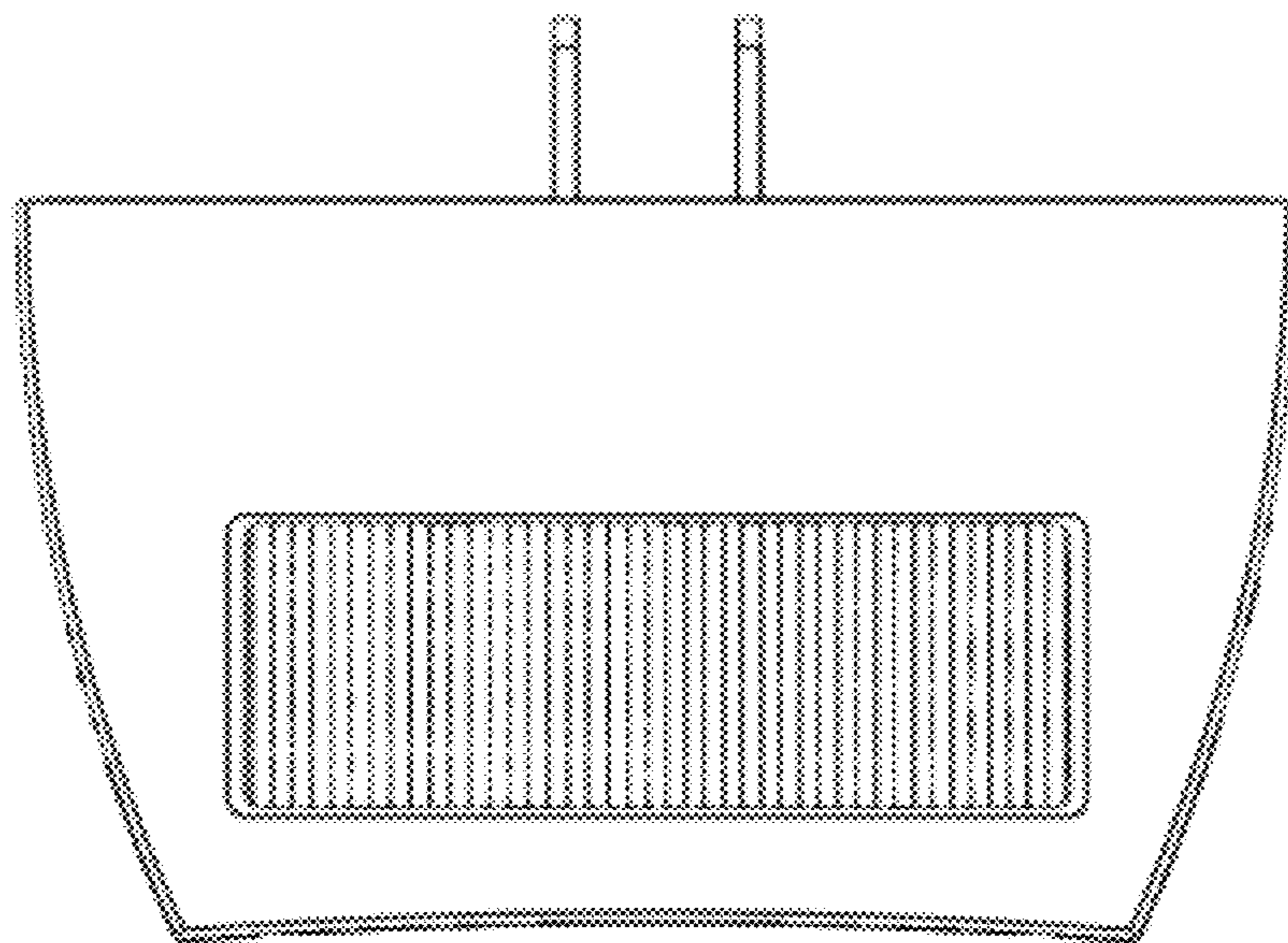


FIG. 8