



US00D677810S

(12) **United States Design Patent**
Shen et al.

(10) **Patent No.:** **US D677,810 S**
(45) **Date of Patent:** **** Mar. 12, 2013**

(54) **LED LAMP**

(75) Inventors: **Jinxiang Shen, Jiaying (CN); Fang Chen, Jiaying (CN)**

(73) Assignee: **Zhejiang Shengui Lighting Co., Ltd., Jiaying (CN)**

(**) Term: **14 Years**

(21) Appl. No.: **29/427,449**

(22) Filed: **Jul. 18, 2012**

(51) **LOC (9) Cl.** **26-04**

(52) **U.S. Cl.** **D26/2**

(58) **Field of Classification Search** D26/1-4;
313/313, 315, 316, 317, 318, 493; 315/52,
315/53, 56, 57, 58

See application file for complete search history.

(56) **References Cited**

U.S. PATENT DOCUMENTS

D532,532 S * 11/2006 Maxik D26/2
D535,038 S * 1/2007 Egawa et al. D26/2

D553,266 S * 10/2007 Maxik D26/2
D566,300 S * 4/2008 Lo D26/2
D584,838 S * 1/2009 To et al. D26/2
D593,223 S * 5/2009 Komar D26/2
D646,802 S * 10/2011 Guohui D26/2

* cited by examiner

Primary Examiner — Marcus Jackson

(74) *Attorney, Agent, or Firm* — Wang Law Firm, Inc.; Li K. Wang; Stephen Hsu

(57) **CLAIM**

The ornamental design for an LED lamp, as shown and described.

DESCRIPTION

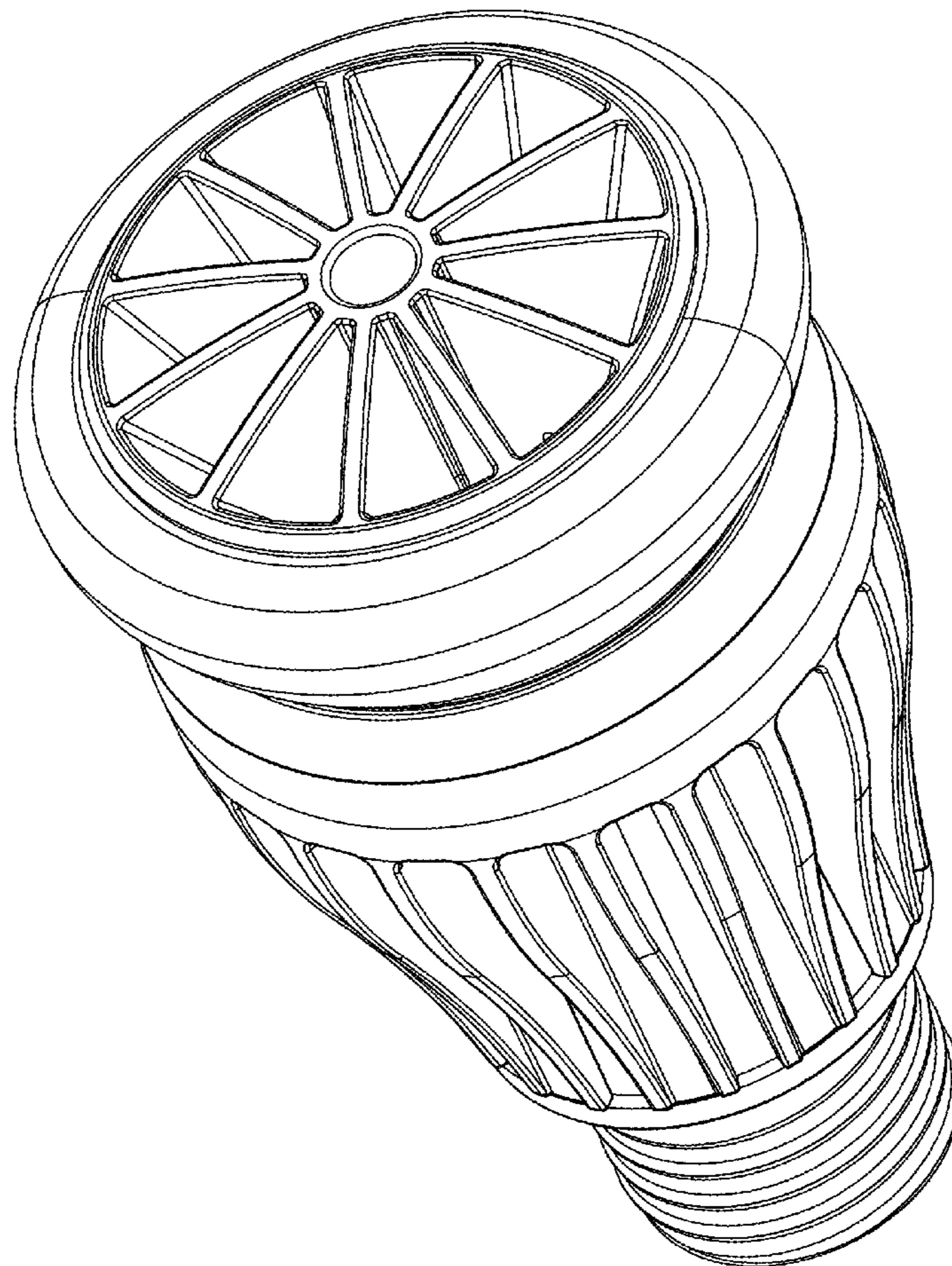
FIG. 1 is a bottom view of an LED lamp showing our new design;

FIG. 2 is a side view thereof;

FIG. 3 is a top view thereof; and,

FIG. 4 is a perspective view thereof.

1 Claim, 4 Drawing Sheets



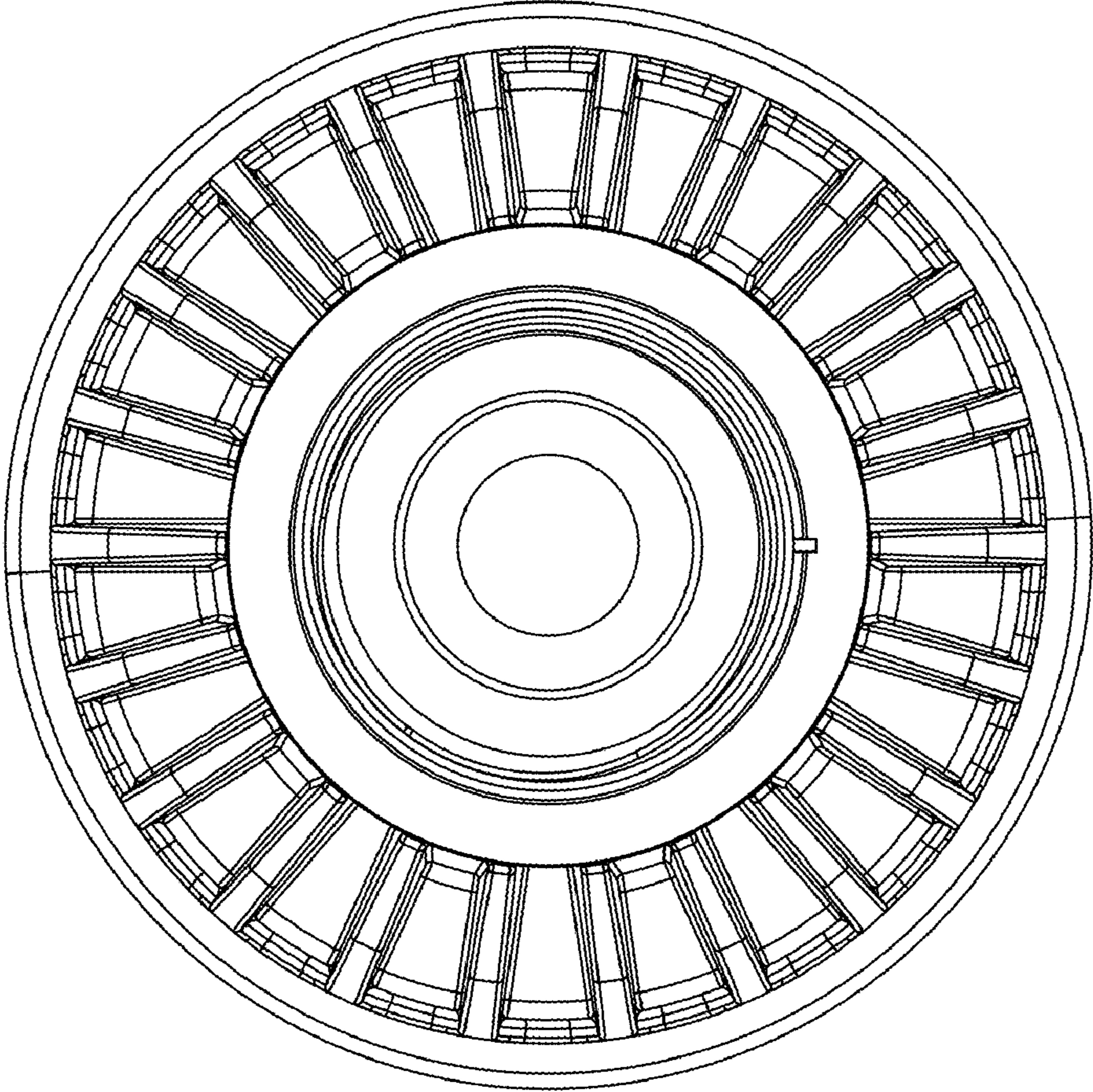


FIG. 1

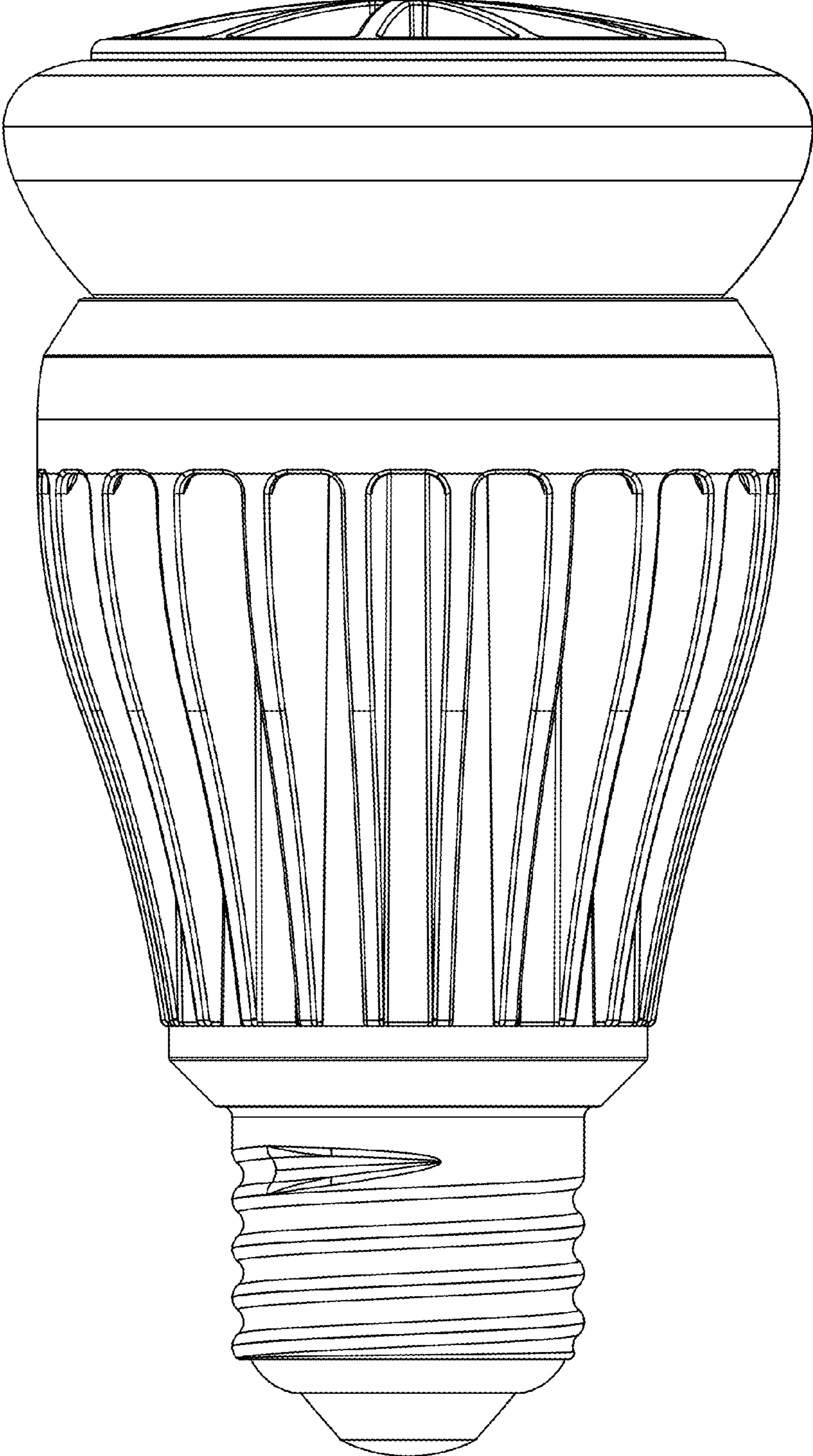


FIG. 2

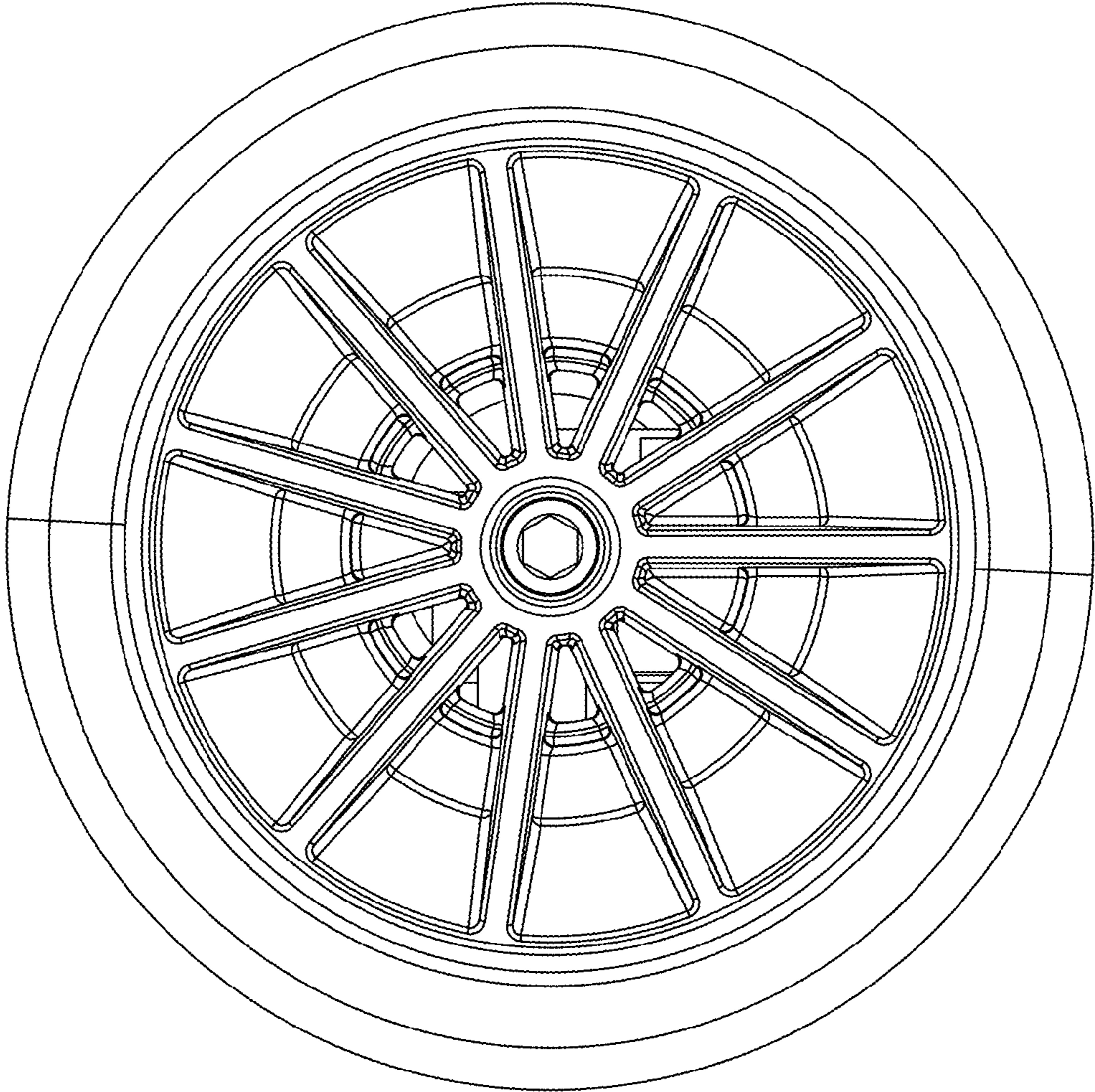


FIG. 3

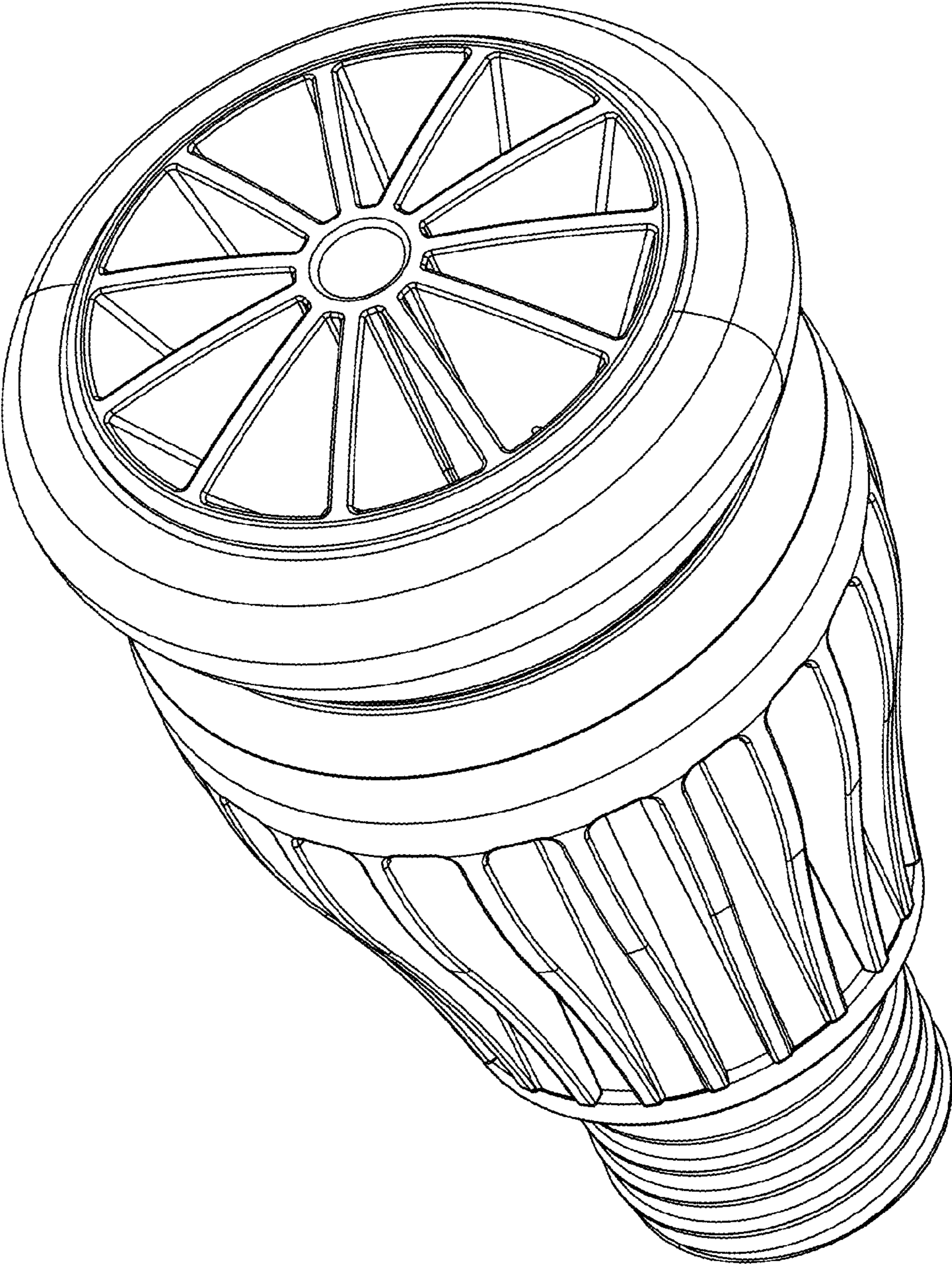


FIG. 4