



US00D677809S

(12) **United States Design Patent**  
**Watanabe et al.**

(10) **Patent No.:** **US D677,809 S**  
(45) **Date of Patent:** **\*\* Mar. 12, 2013**

(54) **LIGHT EMITTING DIODE LAMP**  
(75) Inventors: **Hiroyuki Watanabe**, Osaka (JP);  
**Hisanori Kawasaki**, Osaka (JP);  
**Hidemitsu Watanabe**, Osaka (JP)

D586,928 S \* 2/2009 Liu et al. .... D26/2  
D590,523 S \* 4/2009 Takahashi ..... D26/2  
D600,368 S \* 9/2009 Bertram et al. .... D26/2  
D616,574 S \* 5/2010 Chen et al. .... D26/2

\* cited by examiner

(73) Assignee: **APS Japan Co., Ltd.**, Osaka-shi (JP)

*Primary Examiner* — Marcus Jackson

(\*\*) Term: **14 Years**

(74) *Attorney, Agent, or Firm* — Kratz, Quintos & Hanson, LLP

(21) Appl. No.: **29/425,541**

(57) **CLAIM**

(22) Filed: **Jun. 25, 2012**

The ornamental design for a light emitting diode lamp, as shown and described.

(30) **Foreign Application Priority Data**

**DESCRIPTION**

Dec. 28, 2011 (JP) ..... 2011-030519

(51) **LOC (9) Cl.** ..... **26-04**

(52) **U.S. Cl.** ..... **D26/2**

(58) **Field of Classification Search** ..... D26/1-4;  
313/313, 315, 316, 317, 318, 493; 315/52,  
315/53, 56, 57, 58

See application file for complete search history.

FIG. 1 is a perspective view of the light emitting diode lamp showing our new design;  
FIG. 2 is a front view thereof;  
FIG. 3 is a back view thereof;  
FIG. 4 is a right side view thereof;  
FIG. 5 is a left side view thereof;  
FIG. 6 is a plan view thereof;  
FIG. 7 is a bottom view thereof; and,  
FIG. 8 is a cross-sectional view thereof taken along line 8-8 of FIG. 6.

(56) **References Cited**

**U.S. PATENT DOCUMENTS**

D531,741 S \* 11/2006 Takahashi ..... D26/2  
D553,267 S \* 10/2007 Yuen ..... D26/2

**1 Claim, 8 Drawing Sheets**

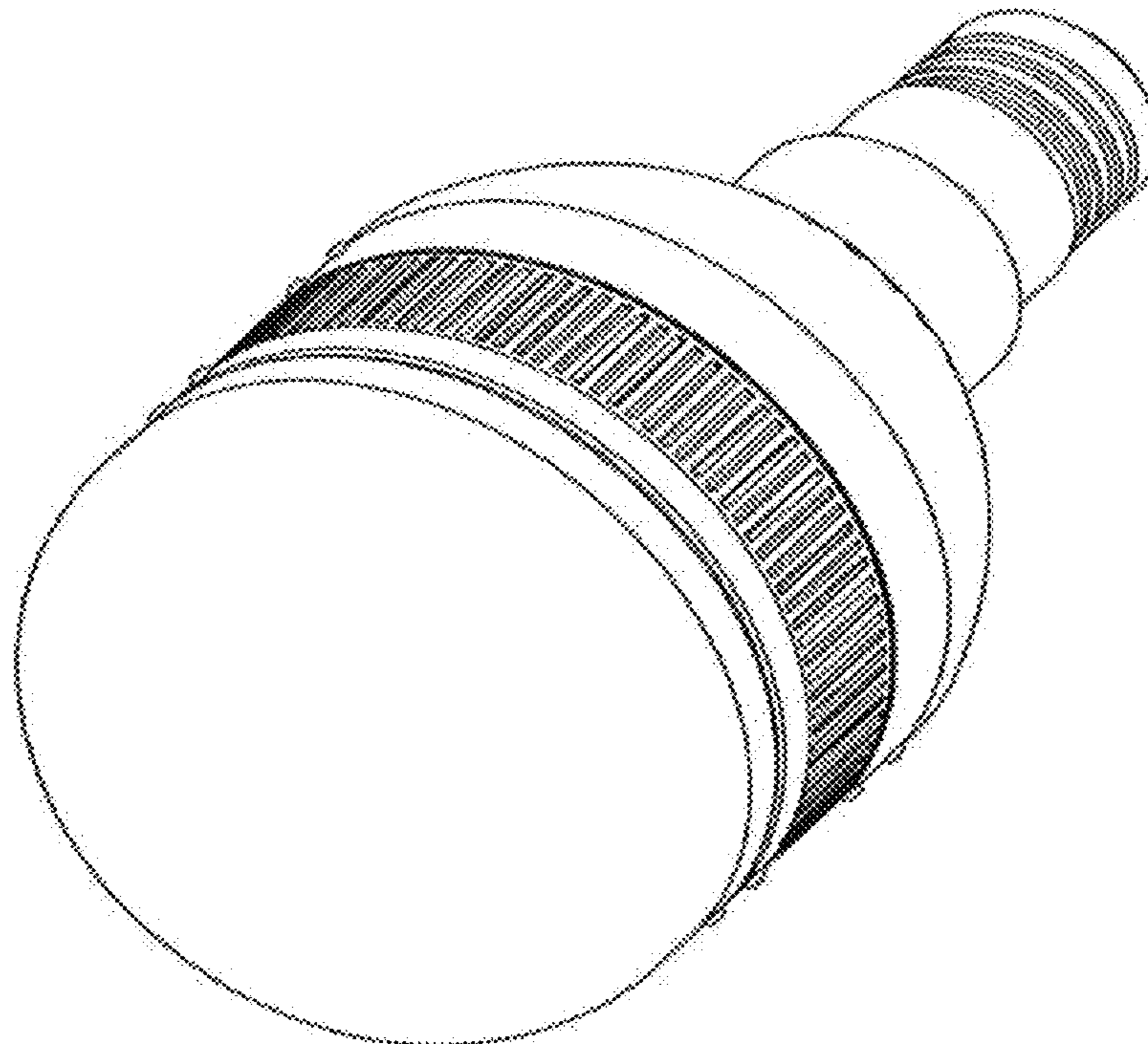


FIG. 1

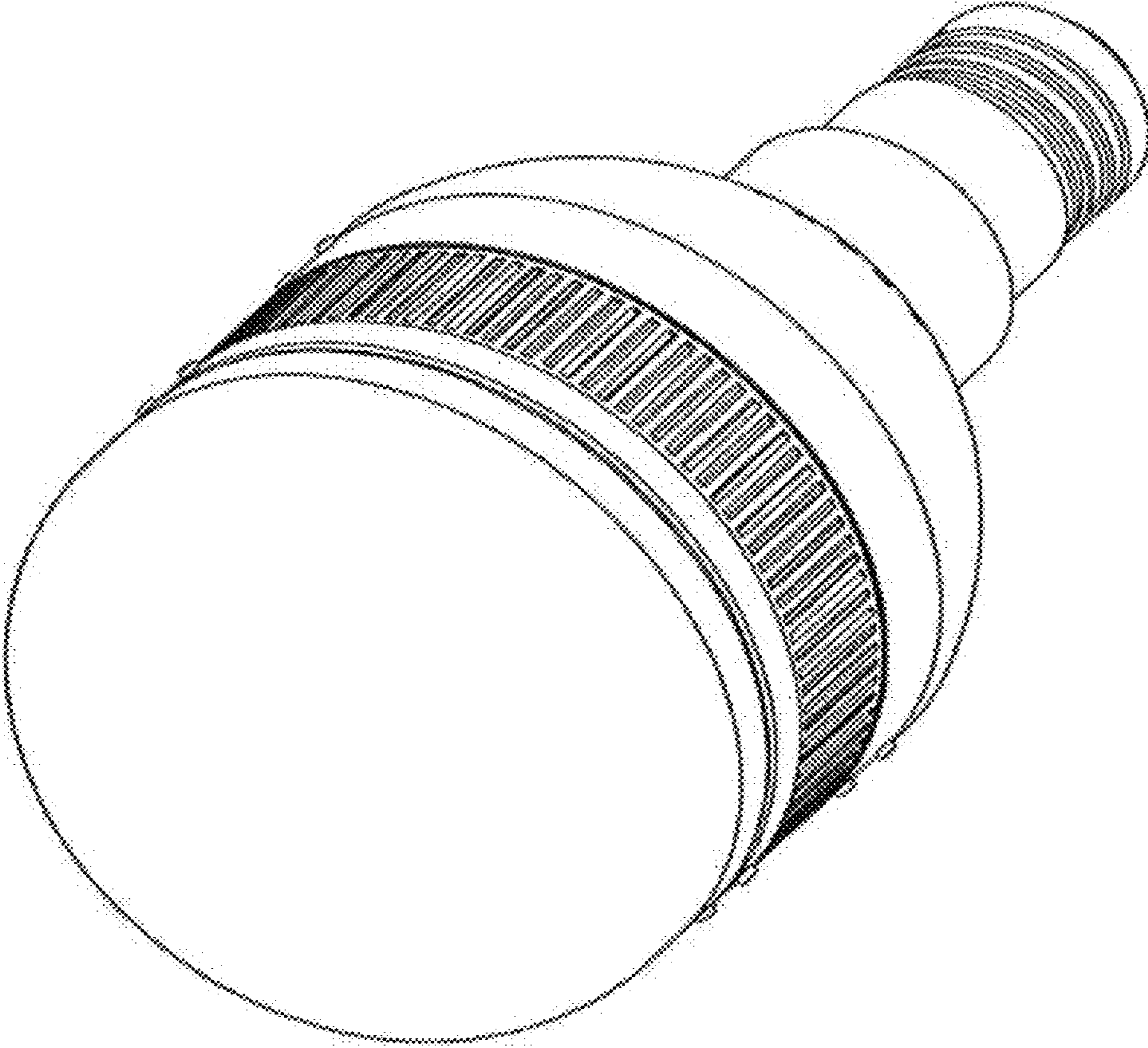


FIG. 2

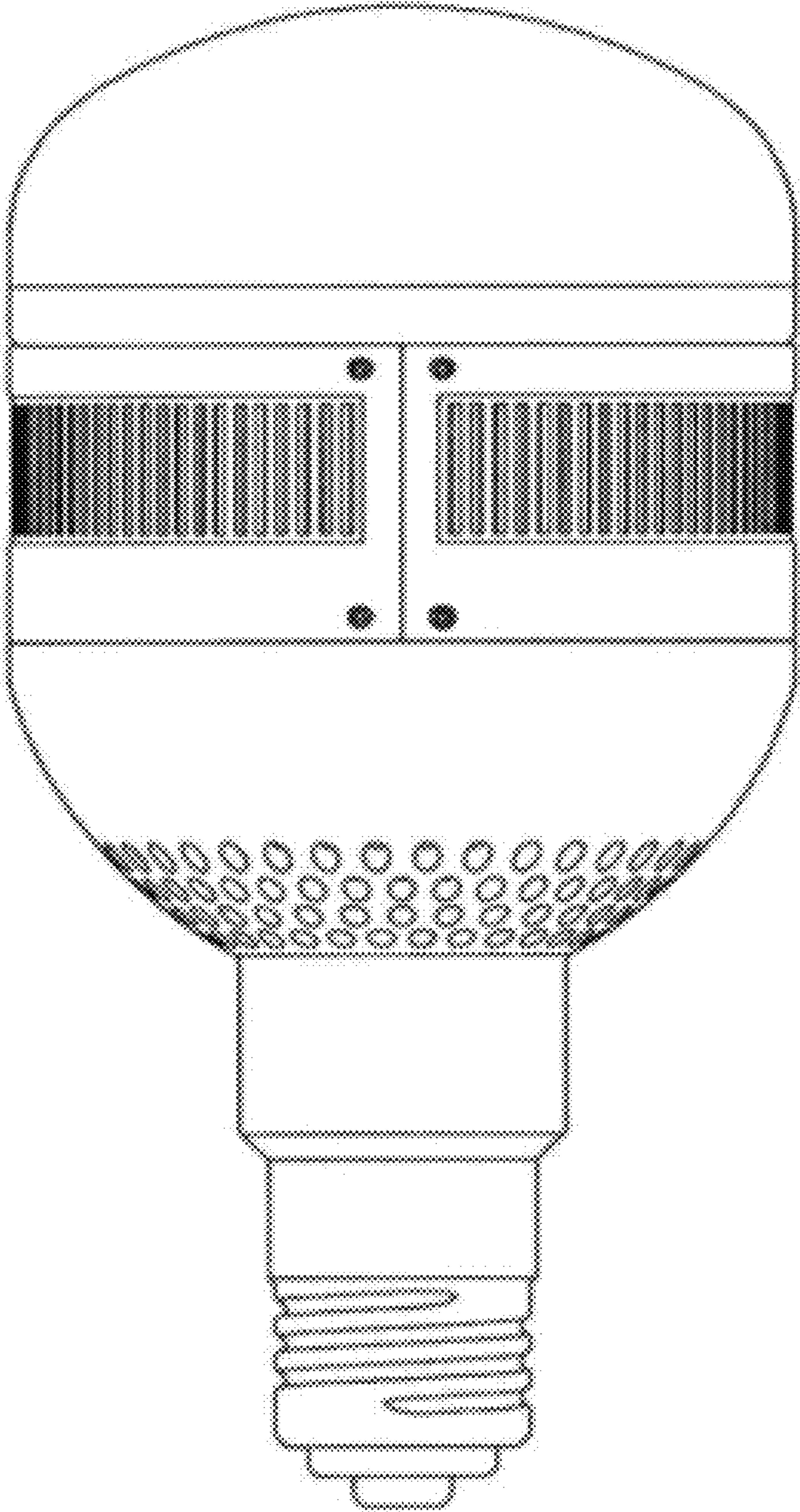


FIG. 3

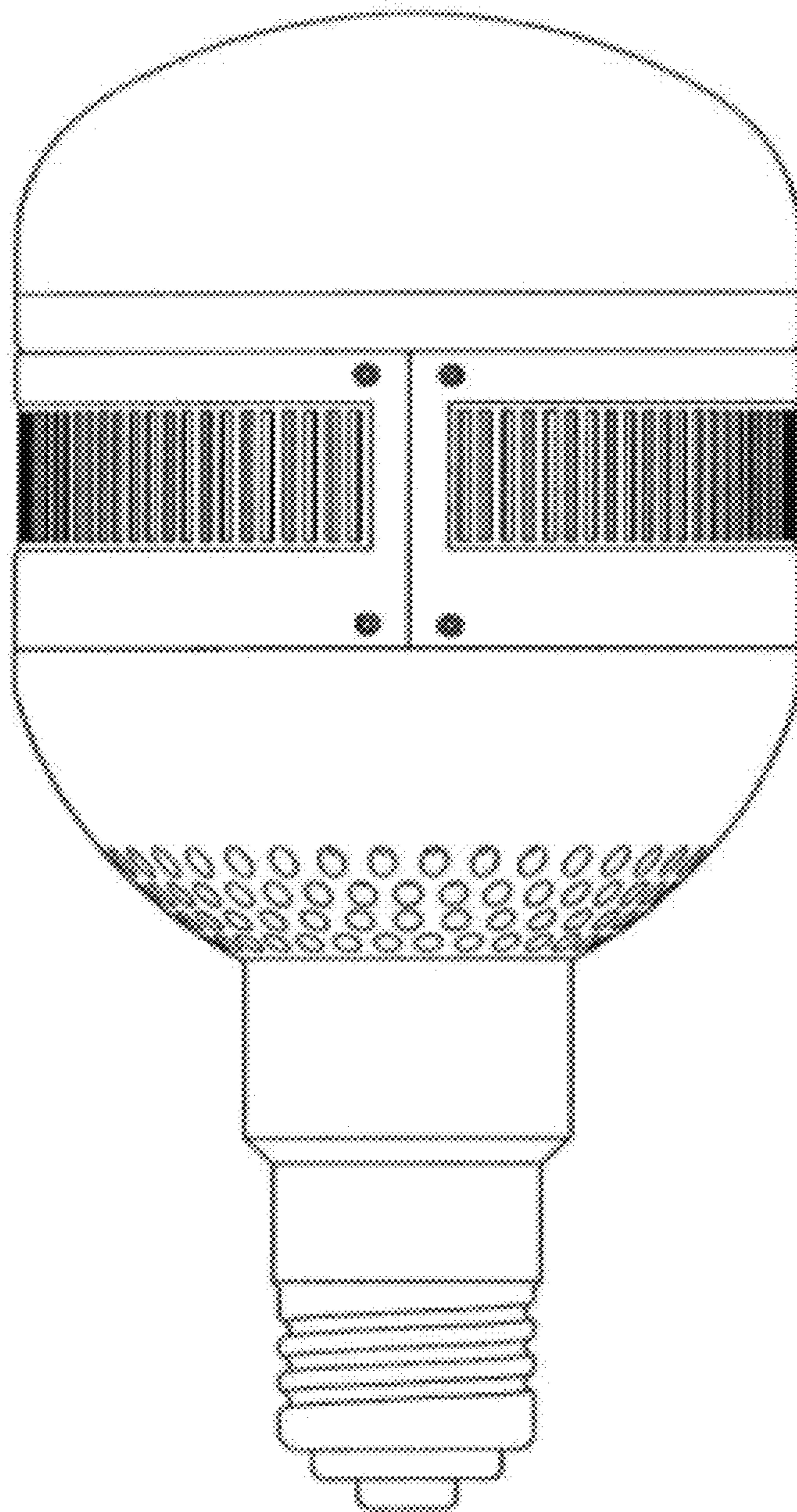


FIG. 4

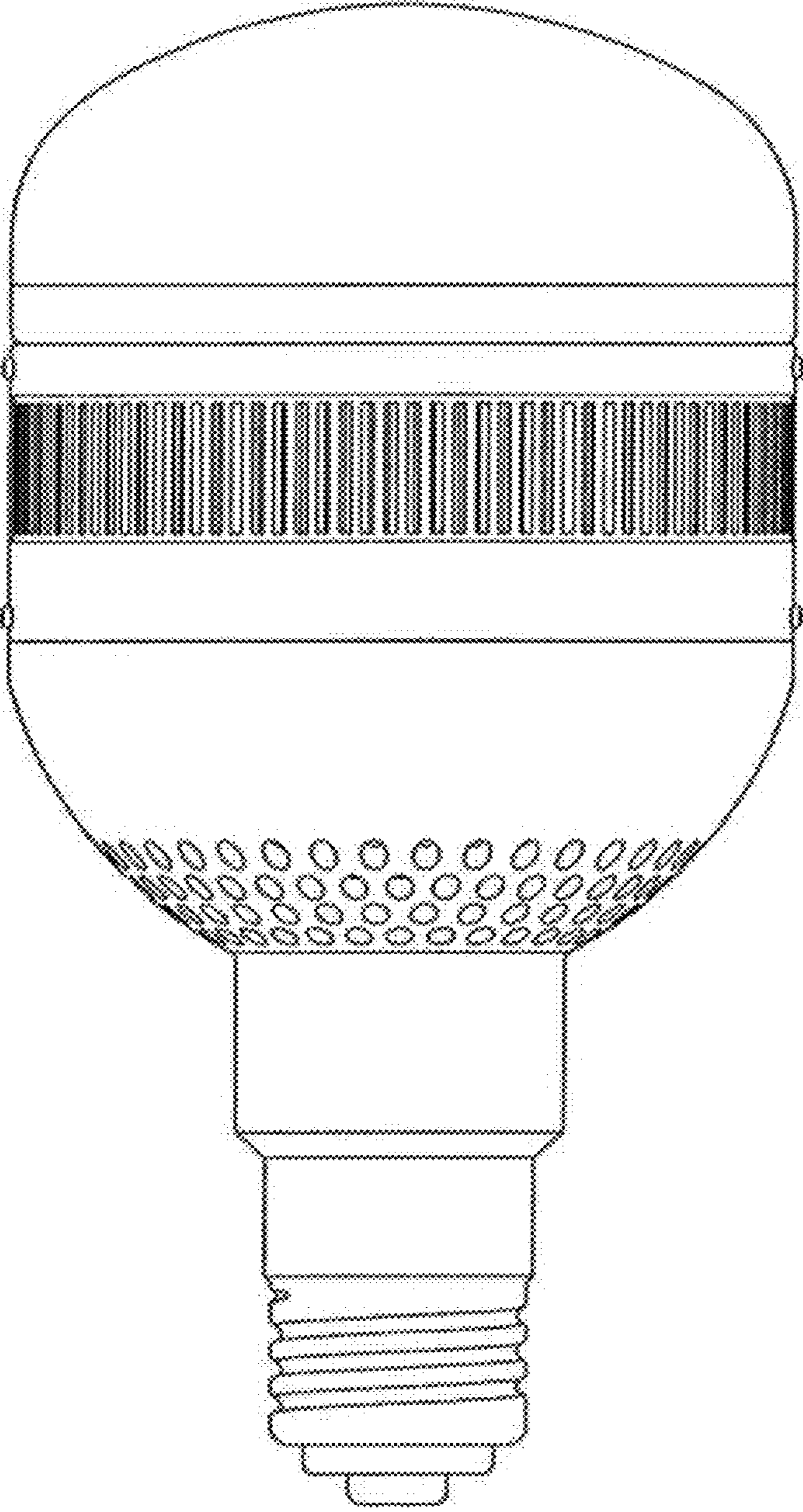


FIG. 5

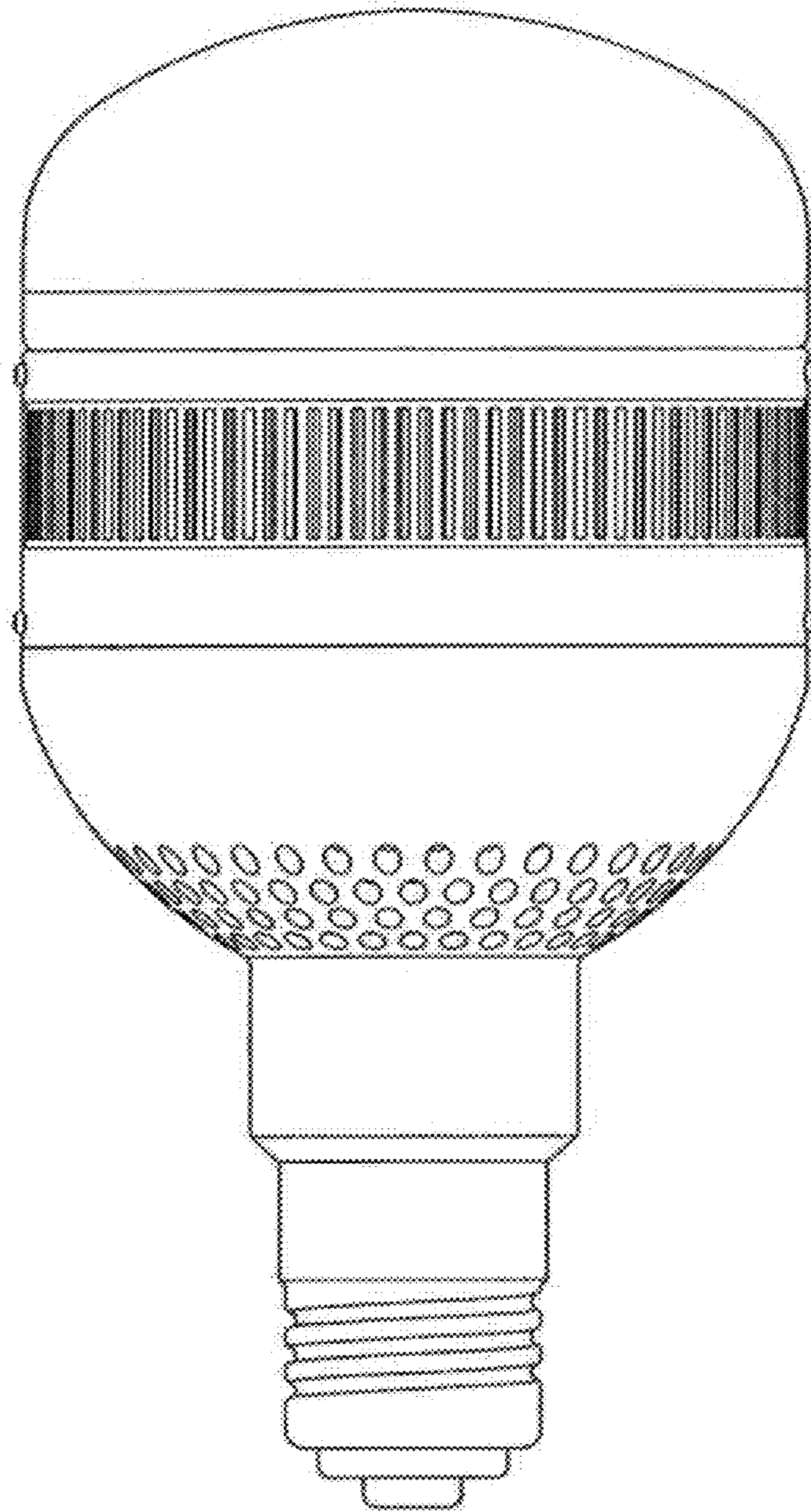


FIG. 6

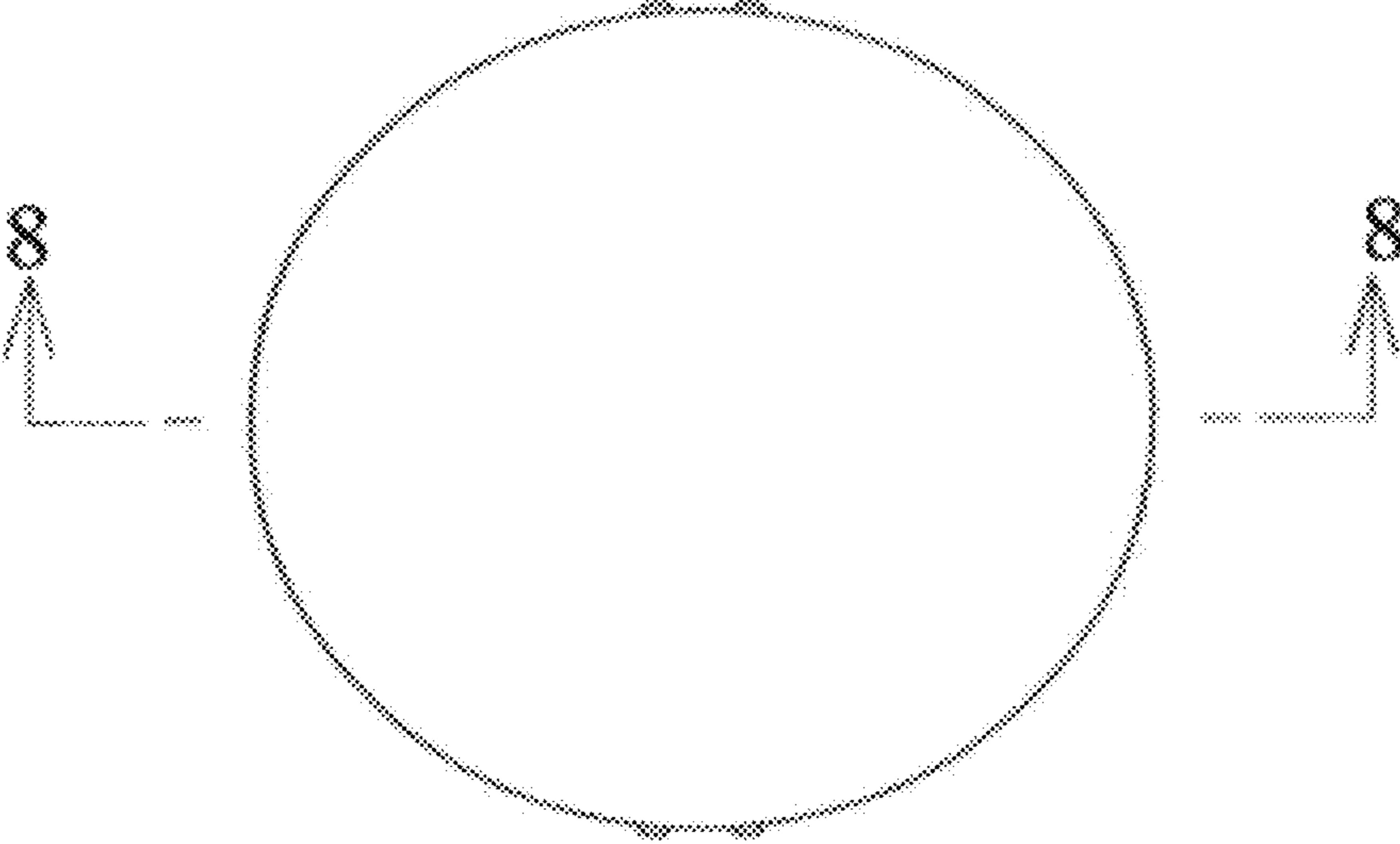


FIG. 7

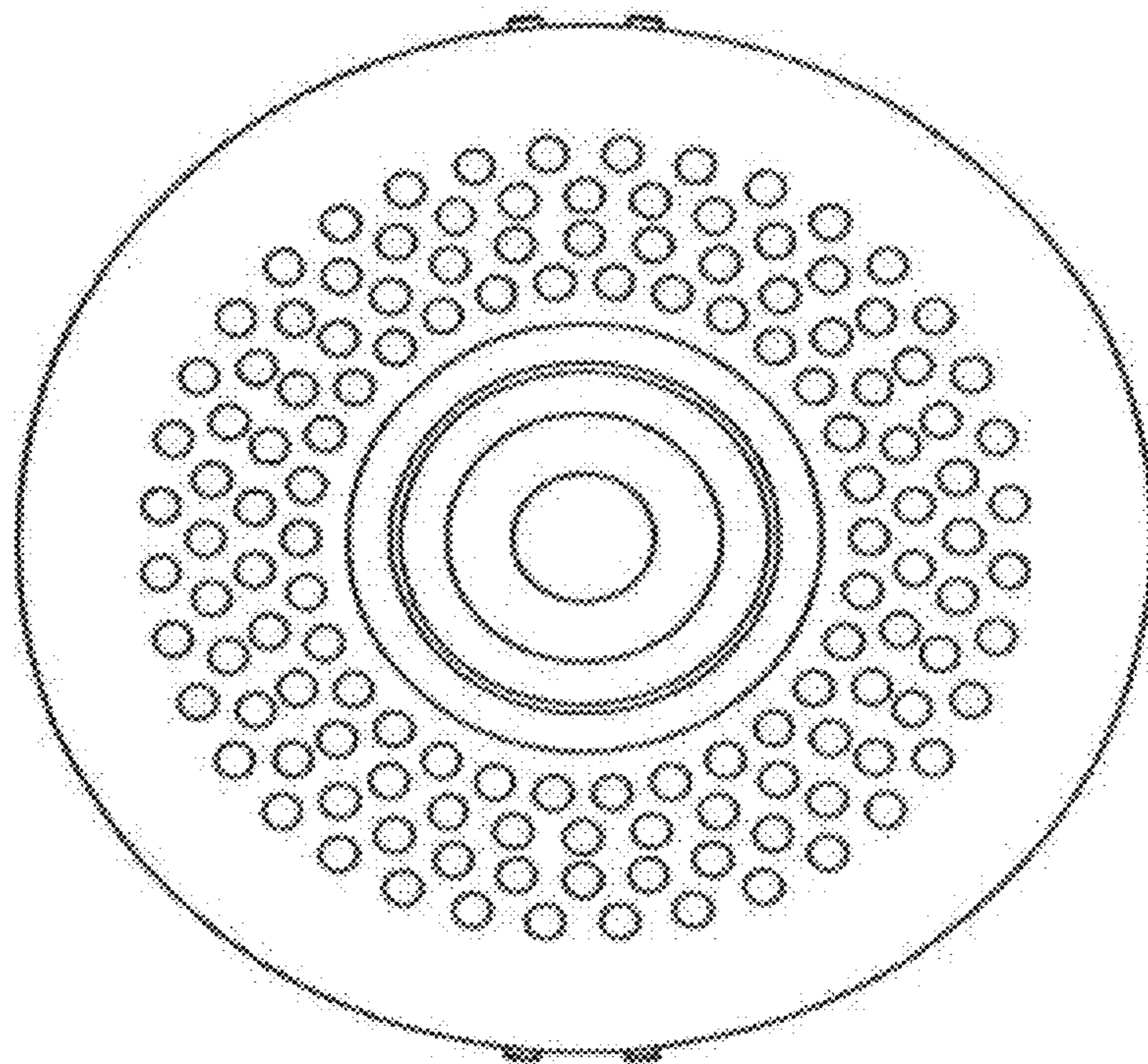




FIG. 8

