



US00D677808S

(12) **United States Design Patent**  
**Maxik et al.**

(10) **Patent No.:** **US D677,808 S**  
(45) **Date of Patent:** **\*\* Mar. 12, 2013**

(54) **LUMINAIRE**

(75) Inventors: **Fredric S. Maxik**, Indialantic, FL (US);  
**Mark Andrew Oostdky**, Cape  
Canaveral, FL (US); **Robert R. Soler**,  
Cocoa Beach, FL (US); **Addy S.**  
**Widjaja**, Palm Bay, FL (US)

(73) Assignee: **Lighting Science Group Corporation**,  
Satellite Beach, FL (US)

(\*\*) Term: **14 Years**

(21) Appl. No.: **29/420,171**

(22) Filed: **May 4, 2012**

(51) **LOC (9) Cl.** ..... **26-04**

(52) **U.S. Cl.** ..... **D26/2**

(58) **Field of Classification Search** ..... D26/1-4;  
313/313, 315, 316, 317, 318, 493; 315/52,  
315/53, 56, 57, 58

See application file for complete search history.

(56) **References Cited**

U.S. PATENT DOCUMENTS

D508,575 S \* 8/2005 Buschmann et al. .... D26/2  
D528,227 S \* 9/2006 Chou et al. .... D26/2

D531,741 S \* 11/2006 Takahashi ..... D26/2  
D534,665 S \* 1/2007 Egawa et al. .... D26/2  
D538,953 S \* 3/2007 Mama ..... D26/2  
D615,220 S \* 5/2010 Crane et al. .... D26/2  
D651,327 S \* 12/2011 Hsiao et al. .... D26/2

\* cited by examiner

*Primary Examiner* — Marcus Jackson

(74) *Attorney, Agent, or Firm* — Mark R. Malek, Esq.; Zies  
Widerman & Malek

(57) **CLAIM**

The ornamental design for a luminaire, as shown and  
described.

**DESCRIPTION**

FIG. 1 is a perspective view of a luminaire according to the  
present invention.

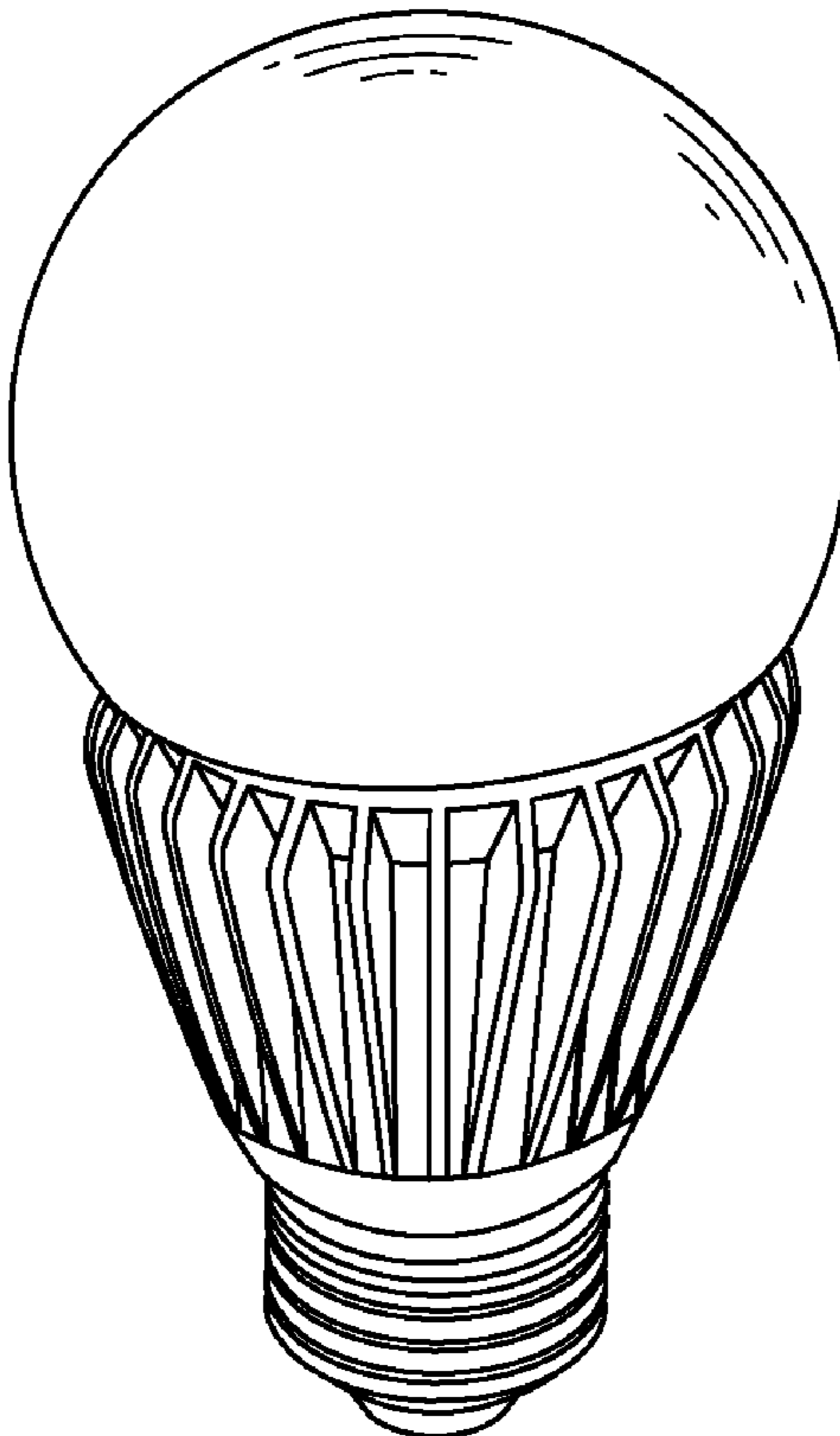
FIG. 2 is a side elevation view of the luminaire illustrated in  
FIG. 1.

FIG. 3 is a top plan view of the luminaire illustrated in FIG. 1.

FIG. 4 is a bottom plan view of the luminaire illustrated in  
FIG. 1; and,

FIG. 5 is an exploded perspective view of the luminaire illus-  
trated in FIG. 1.

**1 Claim, 3 Drawing Sheets**



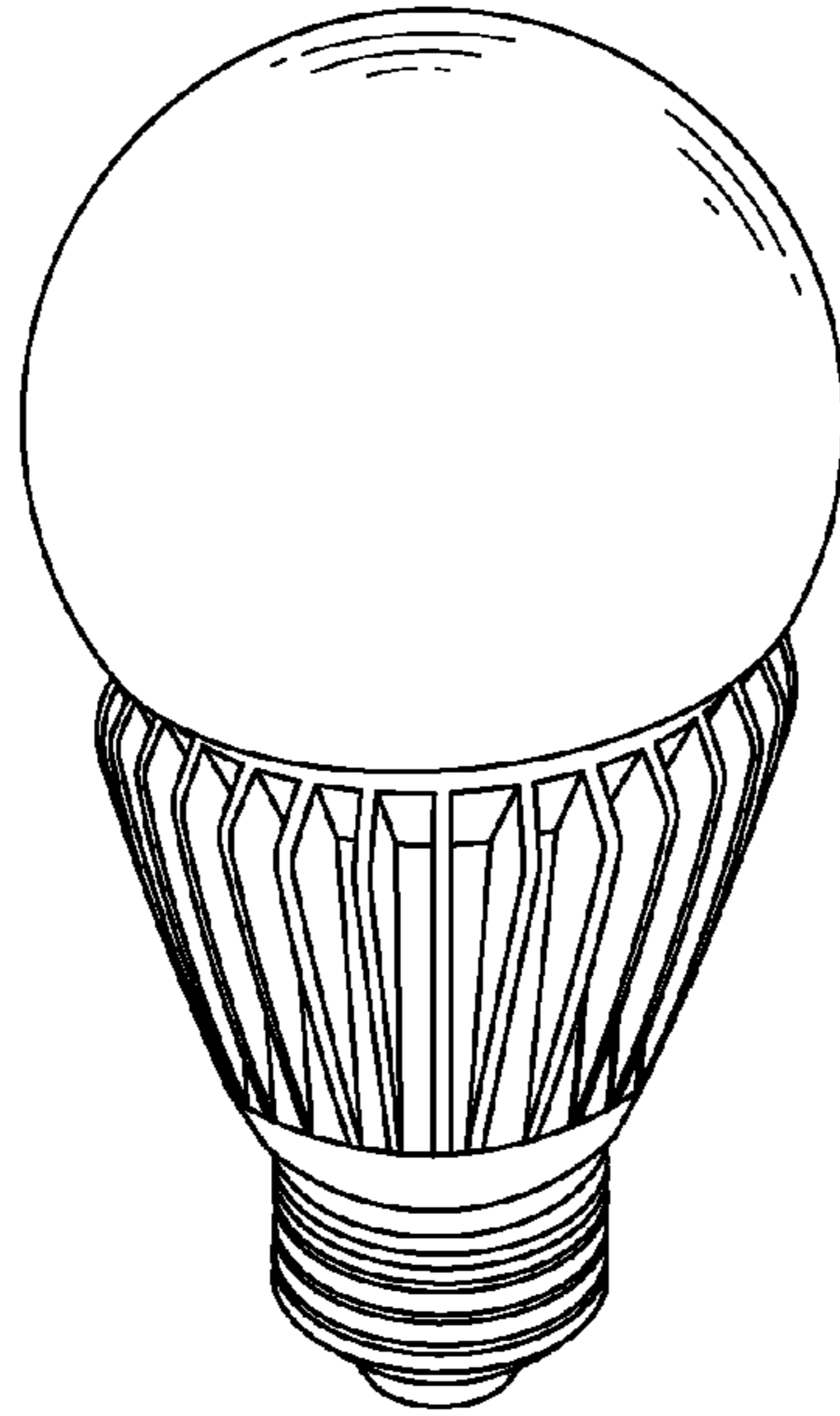


Fig. 1

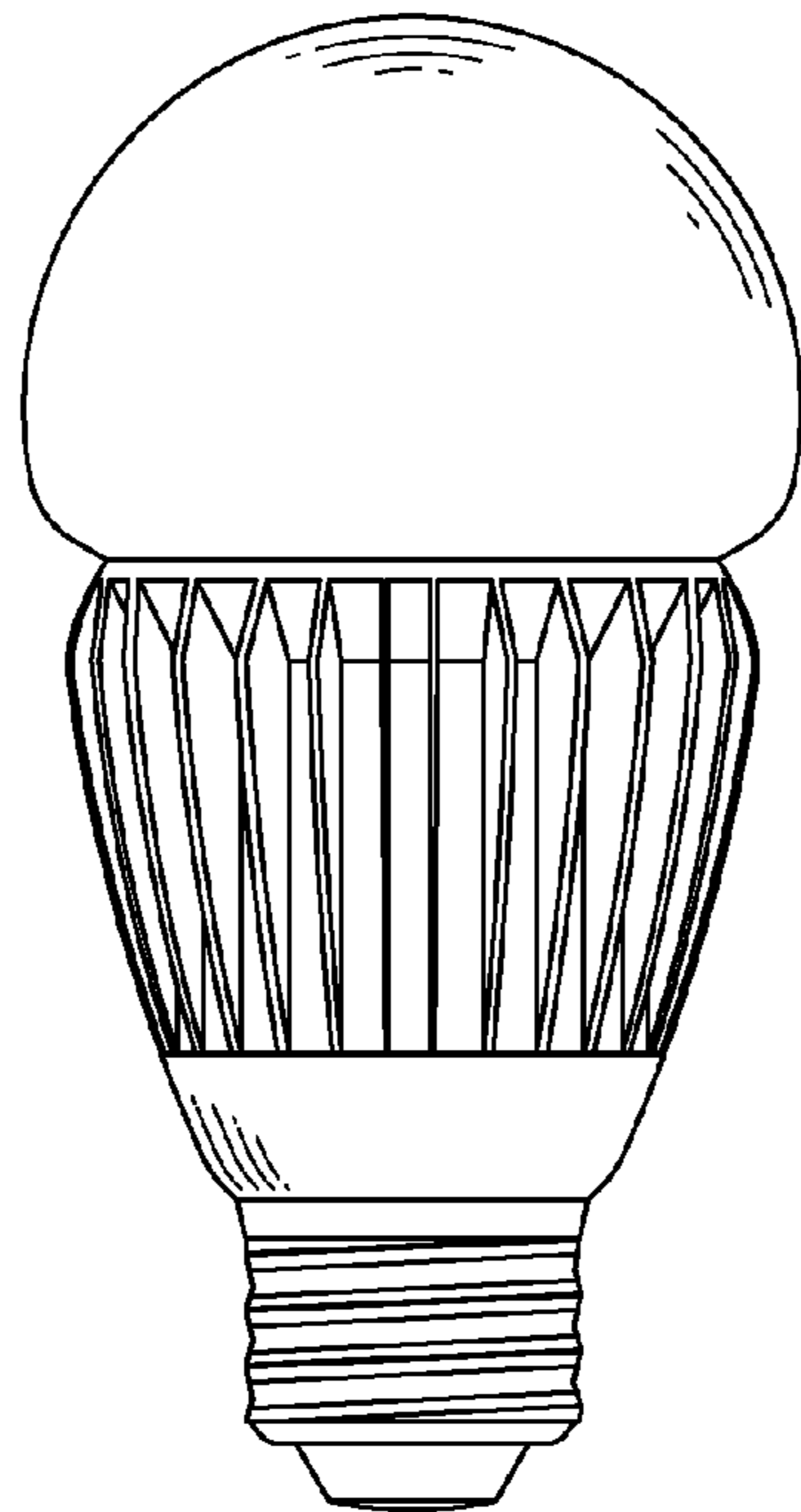


Fig. 2

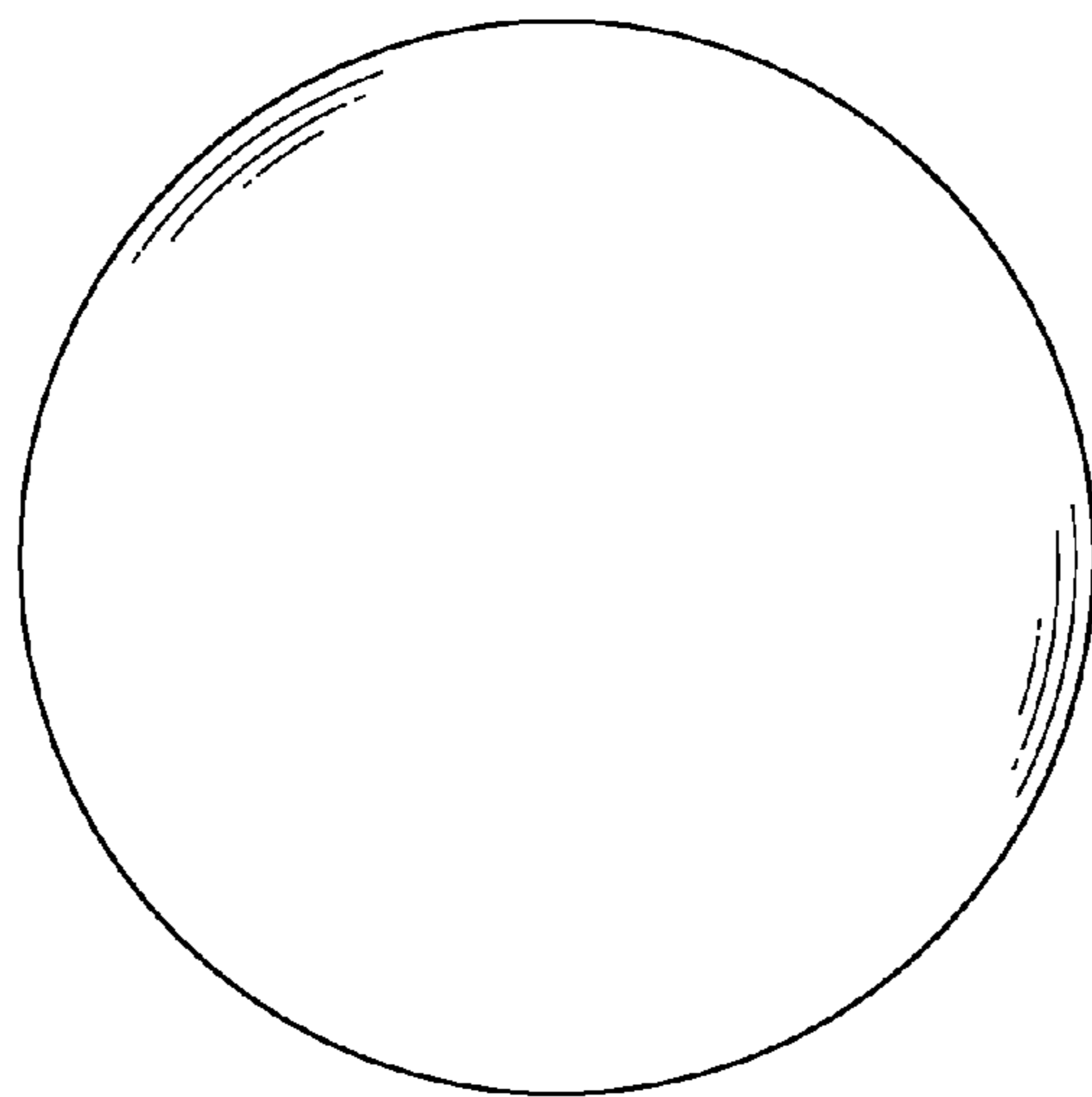


Fig. 3

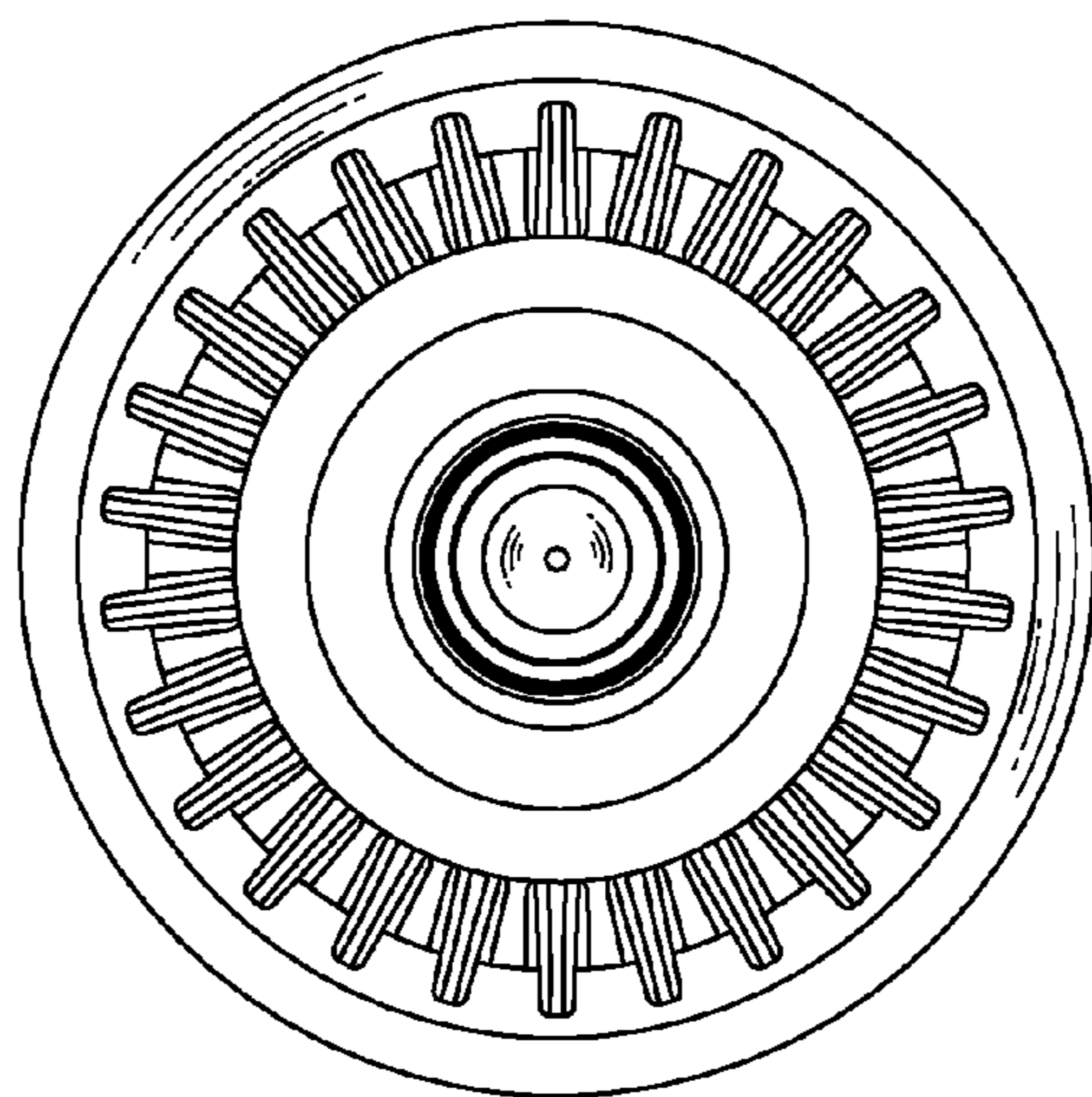


Fig. 4

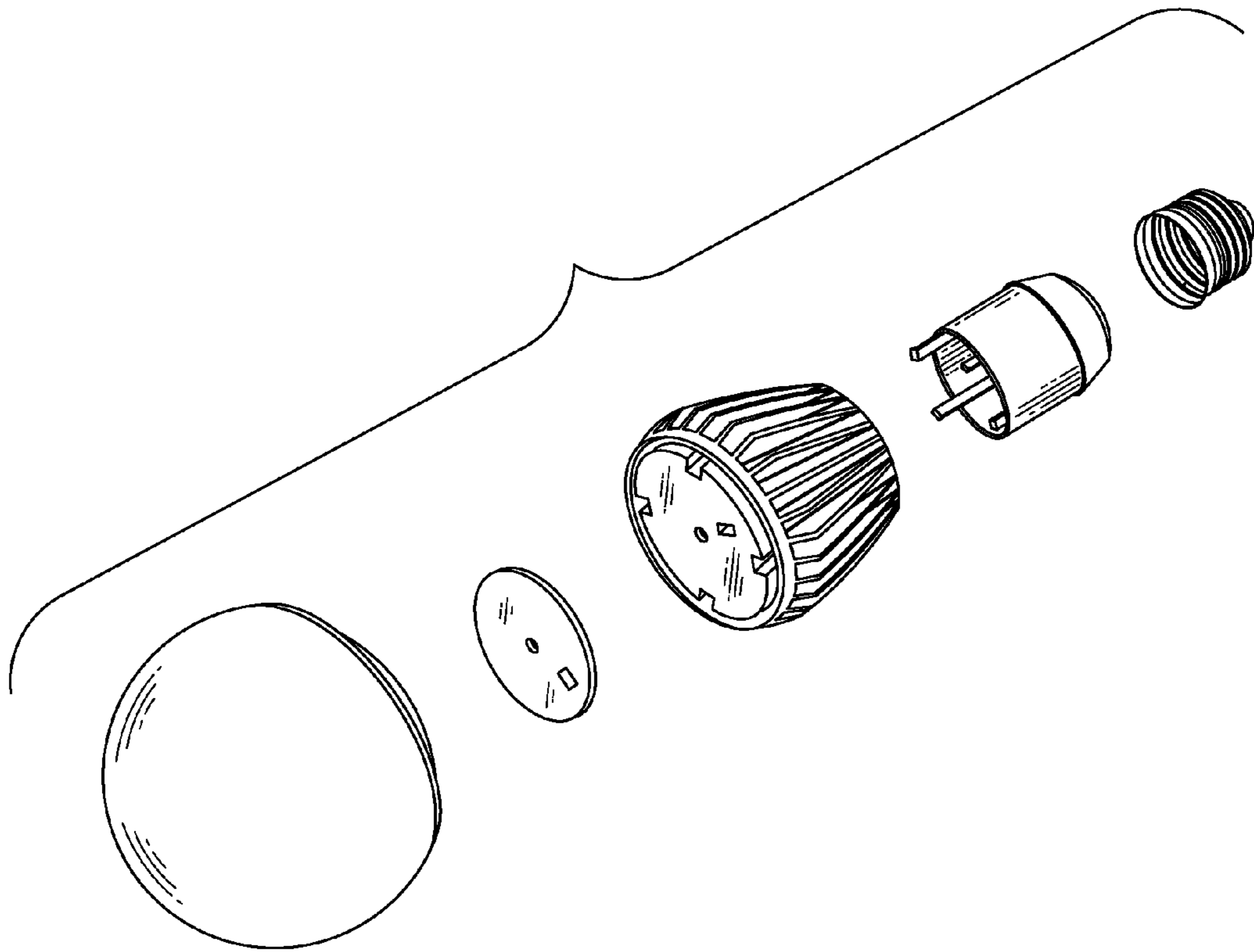


Fig. 5