



US00D677807S

(12) **United States Design Patent**  
**Holland et al.**

(10) **Patent No.:** **US D677,807 S**  
(45) **Date of Patent:** **\*\* Mar. 12, 2013**

(54) **LUMINAIRE WITH MEDIAL ENCLOSURE  
AND HEAT SINK**

(75) Inventors: **Eric Holland**, Indian Harbour Beach, FL  
(US); **Mark P. Boomgaarden**, Satellite  
Beach, FL (US); **Rick LeClair**,  
Melbourne, FL (US)

(73) Assignee: **Lighting Science Group Corporation**,  
Satellite Beach, FL (US)

(\*\*) Term: **14 Years**

(21) Appl. No.: **29/419,312**

(22) Filed: **Apr. 26, 2012**

(51) **LOC (9) Cl.** ..... **26-04**

(52) **U.S. Cl.** ..... **D26/2**

(58) **Field of Classification Search** ..... D26/1-4;  
313/313, 315, 316, 317, 318, 493; 315/52,  
315/53, 56, 57, 58

See application file for complete search history.

(56) **References Cited**

U.S. PATENT DOCUMENTS

D508,575	S	*	8/2005	Buschmann et al.	.....	D26/2
D626,667	S	*	11/2010	Jonsson et al.	.....	D26/2
D627,087	S	*	11/2010	Jonsson et al.	.....	D26/2
D645,993	S	*	9/2011	Wang	.....	D26/2
D651,327	S	*	12/2011	Hsiao et al.	.....	D26/2

\* cited by examiner

*Primary Examiner* — Marcus Jackson

(74) *Attorney, Agent, or Firm* — Mark R. Malek, Esq.; Zies  
Widerman & Malek

(57) **CLAIM**

The ornamental design for a luminaire with medial enclosure  
and heat sink, as shown and described.

**DESCRIPTION**

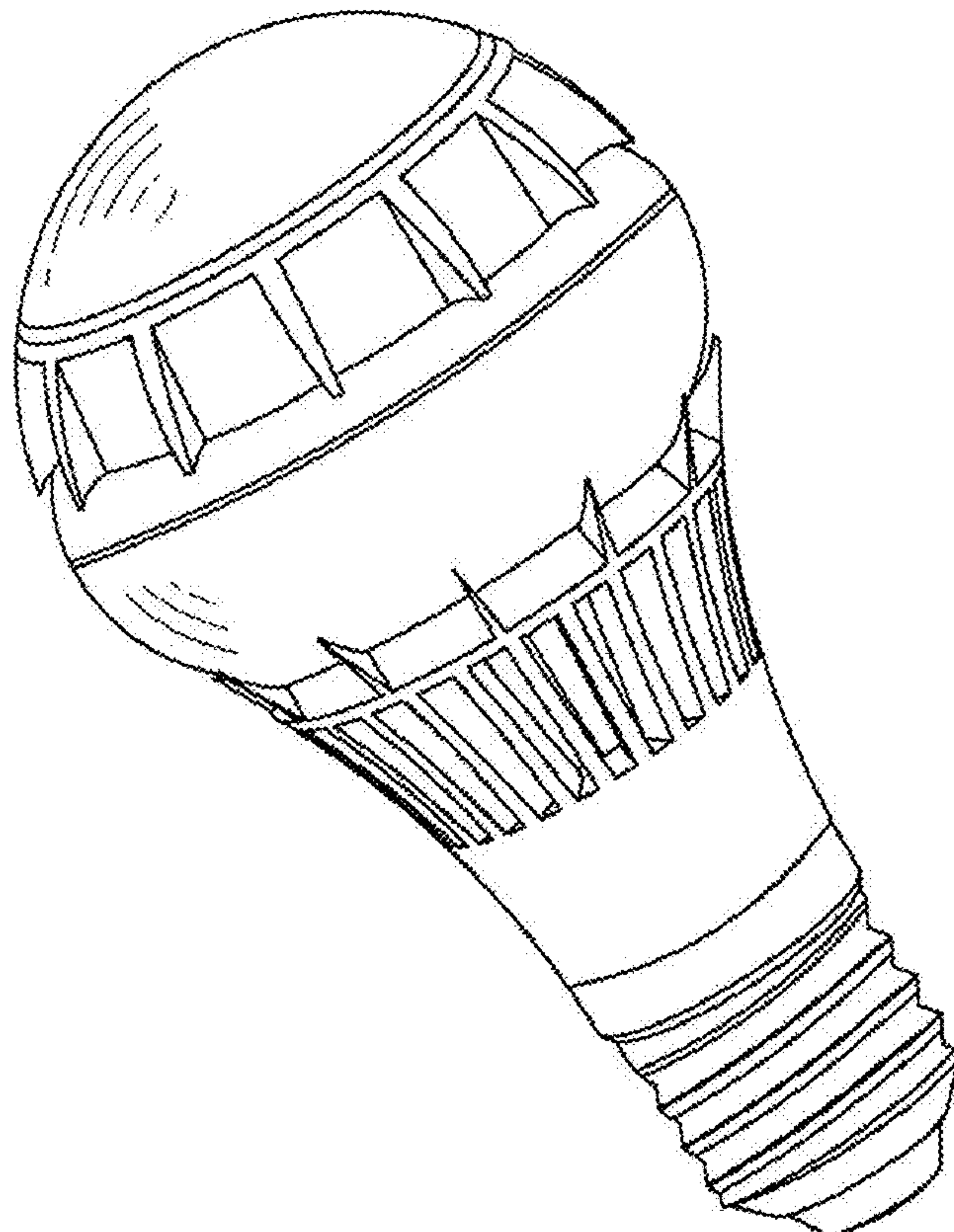
FIG. 1 is a perspective view of a luminaire having a medially  
disposed enclosure and a heat sink according to the present  
invention.

FIG. 2 is an elevation view of the luminaire illustrated in FIG.  
1.

FIG. 3 is a top plan view of the luminaire illustrated in FIG. 1;  
and,

FIG. 4 is a bottom plan view of the luminaire illustrated in  
FIG. 1.

**1 Claim, 2 Drawing Sheets**



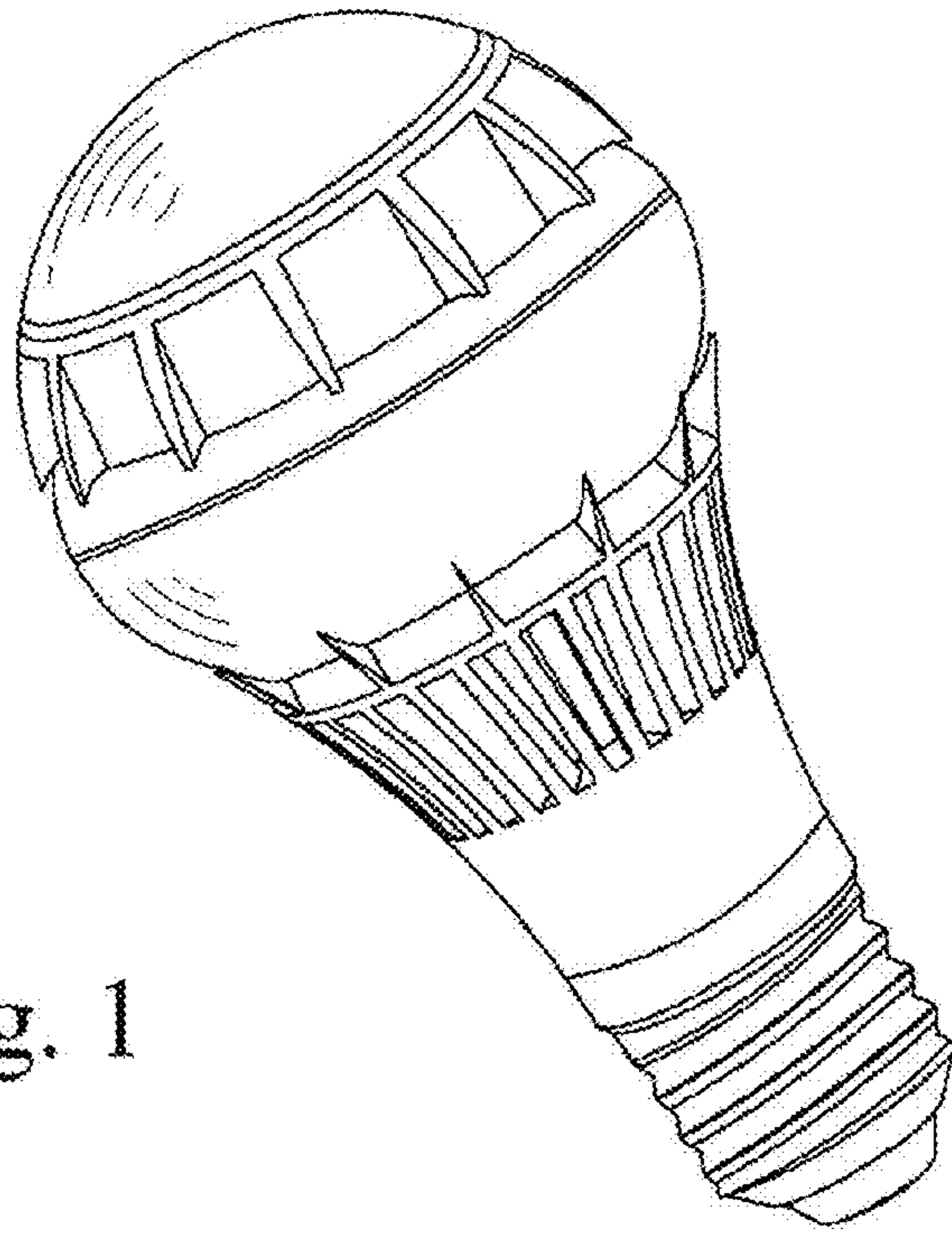


Fig. 1

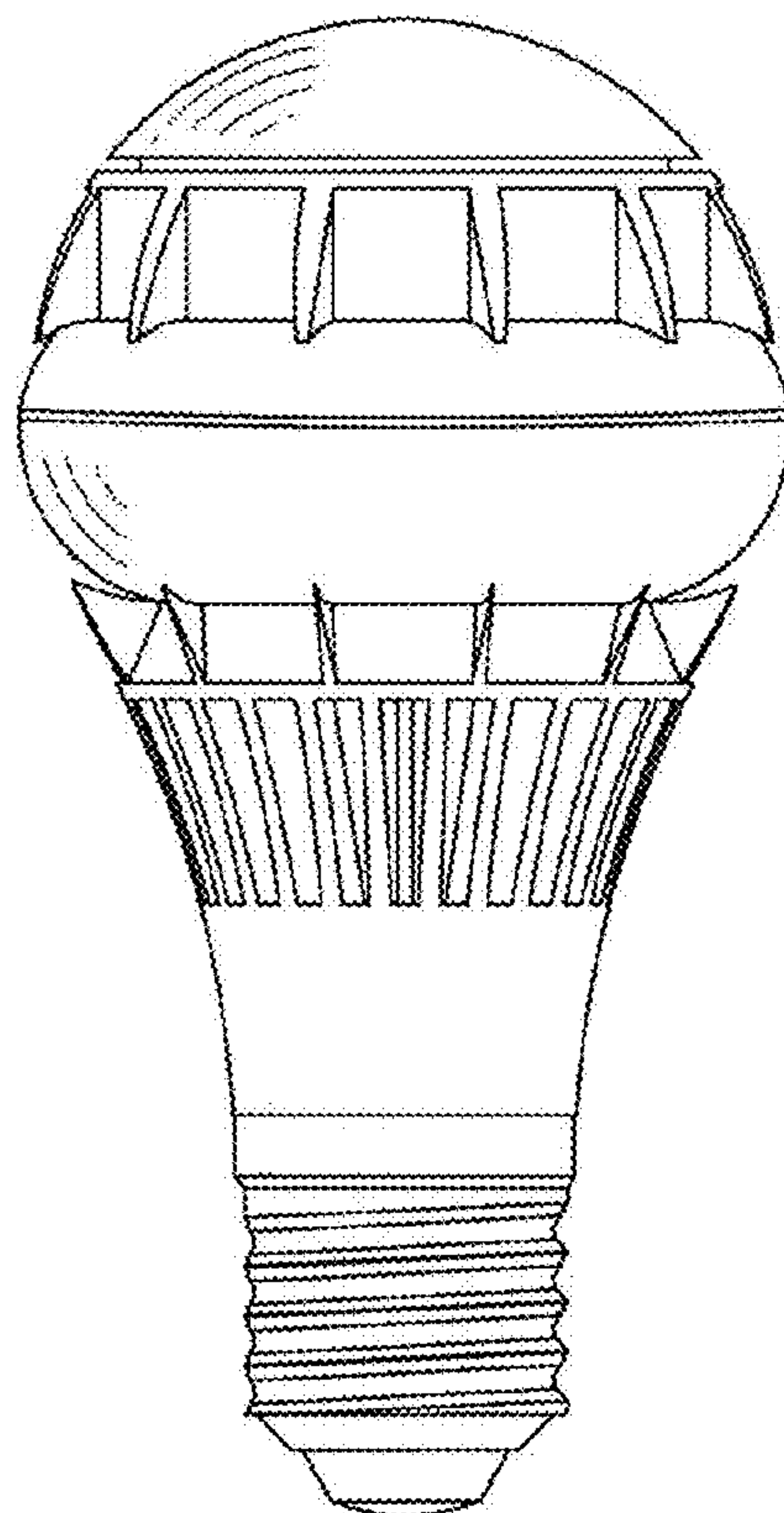


Fig. 2

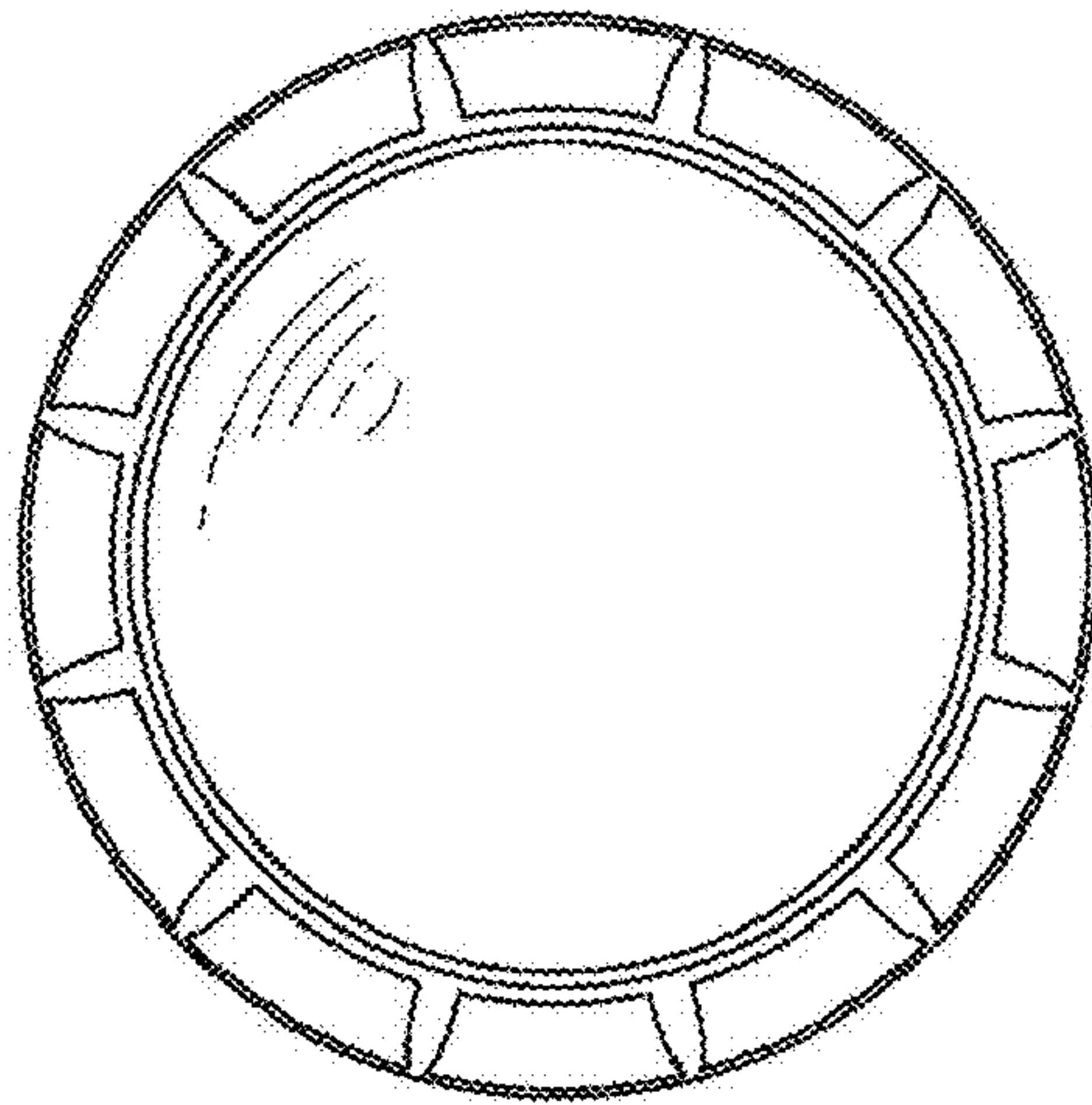


Fig. 3

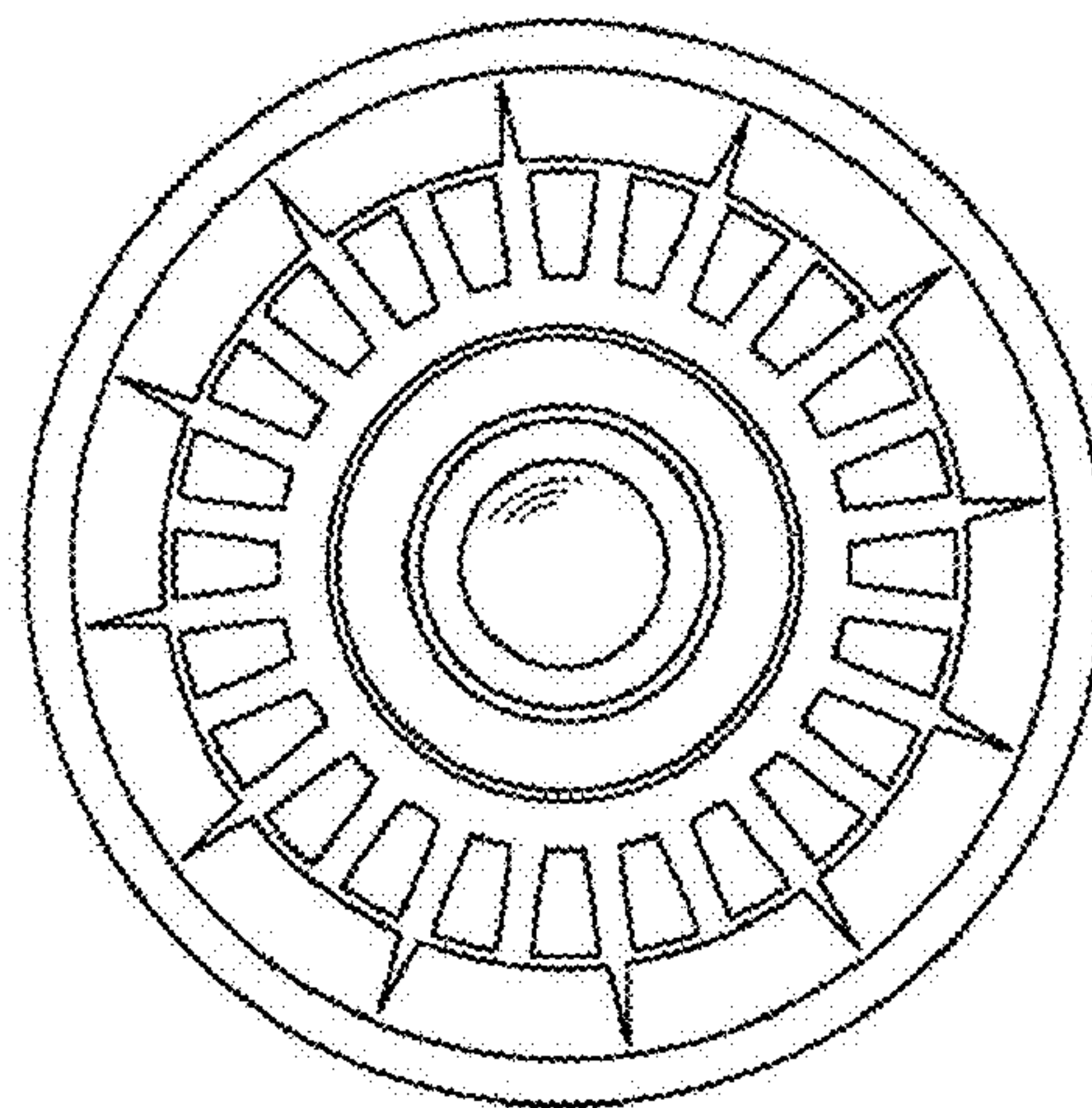


Fig. 4