



US00D677806S

(12) **United States Design Patent**  
**Jiang et al.**

(10) **Patent No.:** **US D677,806 S**  
(45) **Date of Patent:** **\*\* Mar. 12, 2013**

(54) **SOLID STATE LIGHTING SPOT**  
(75) Inventors: **Howard Jiang**, Shanghai (CN); **Robert Zou**, Shanghai (CN)  
(73) Assignee: **Koninklijke Philips Electronics N.V.**, Eindhoven (NL)

D566,300 S \* 4/2008 Lo ..... D26/2  
D581,555 S \* 11/2008 To et al. .... D26/2  
D584,838 S \* 1/2009 To et al. .... D26/2  
D610,722 S \* 2/2010 Bi ..... D26/2

\* cited by examiner

*Primary Examiner* — Marcus Jackson

(\*\*) Term: **14 Years**

(21) Appl. No.: **29/413,195**

(22) Filed: **Feb. 13, 2012**

(51) **LOC (9) Cl.** ..... **26-04**

(52) **U.S. Cl.** ..... **D26/2**

(58) **Field of Classification Search** ..... D26/1-4;  
313/313, 315, 316, 317, 318, 493; 315/52,  
315/53, 56, 57, 58

See application file for complete search history.

(56) **References Cited**

**U.S. PATENT DOCUMENTS**

D532,532 S \* 11/2006 Maxik ..... D26/2  
D544,110 S \* 6/2007 Hooker et al. .... D26/2

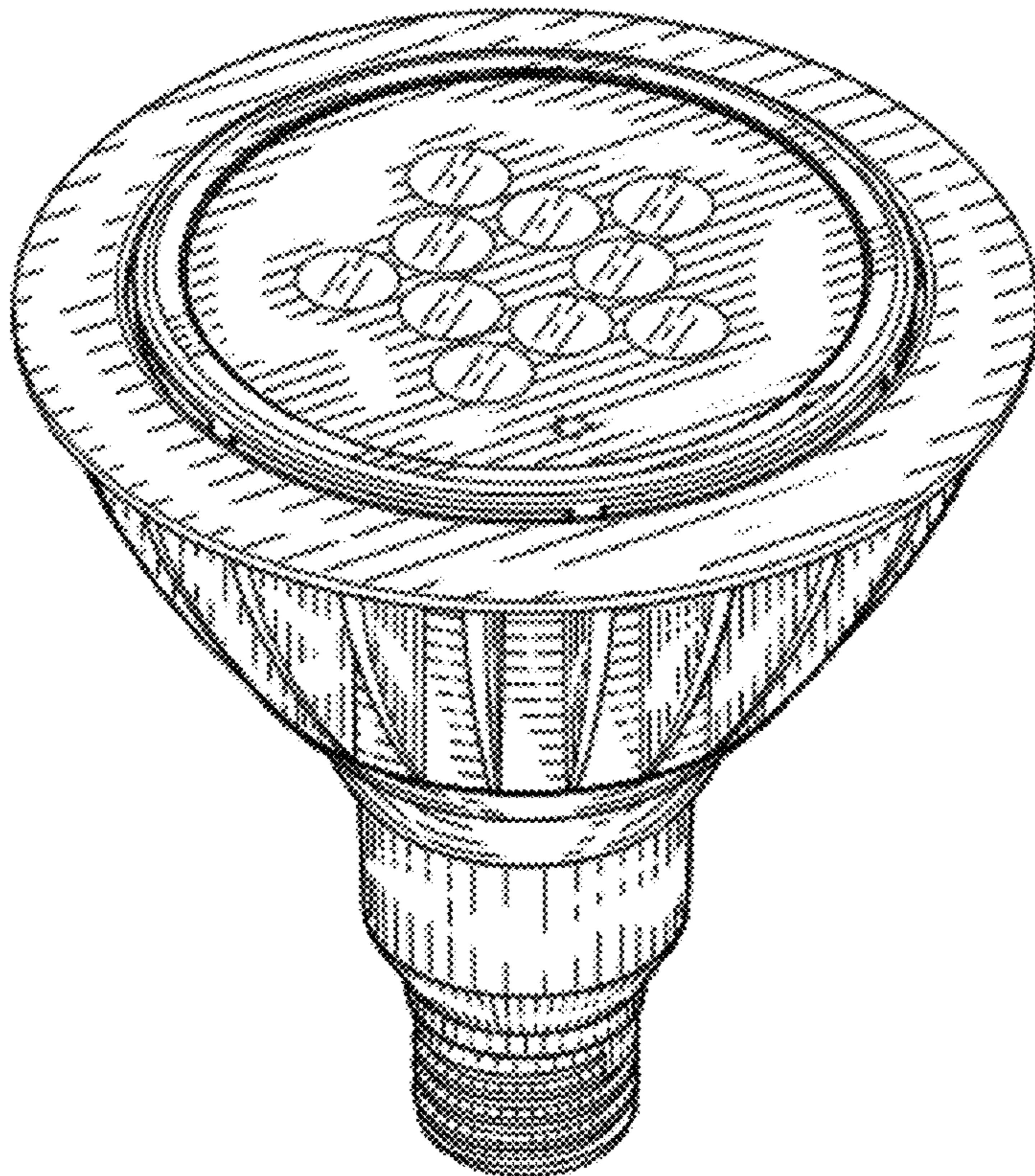
(57) **CLAIM**

The ornamental design for a solid state lighting spot, as shown.

**DESCRIPTION**

FIG. 1 is a perspective view showing my design;  
FIG. 2 is a front elevational view thereof;  
FIG. 3 is a rear elevational view thereof;  
FIG. 4 is a right side elevational view thereof;  
FIG. 5 is a left side elevational view thereof;  
FIG. 6 is top plan view thereof; and,  
FIG. 7 is a bottom plan view thereof.

**1 Claim, 4 Drawing Sheets**



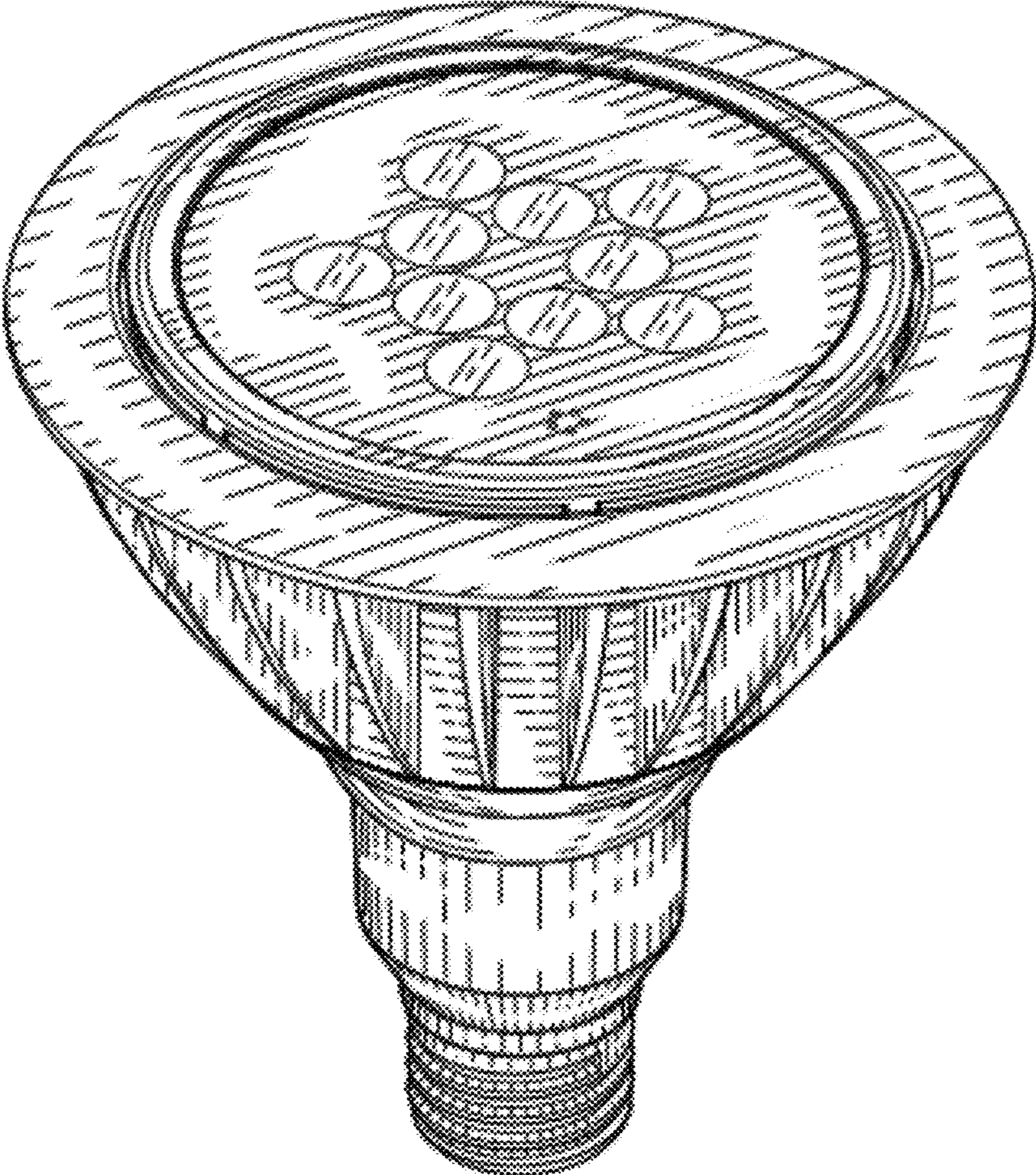


FIG. 1

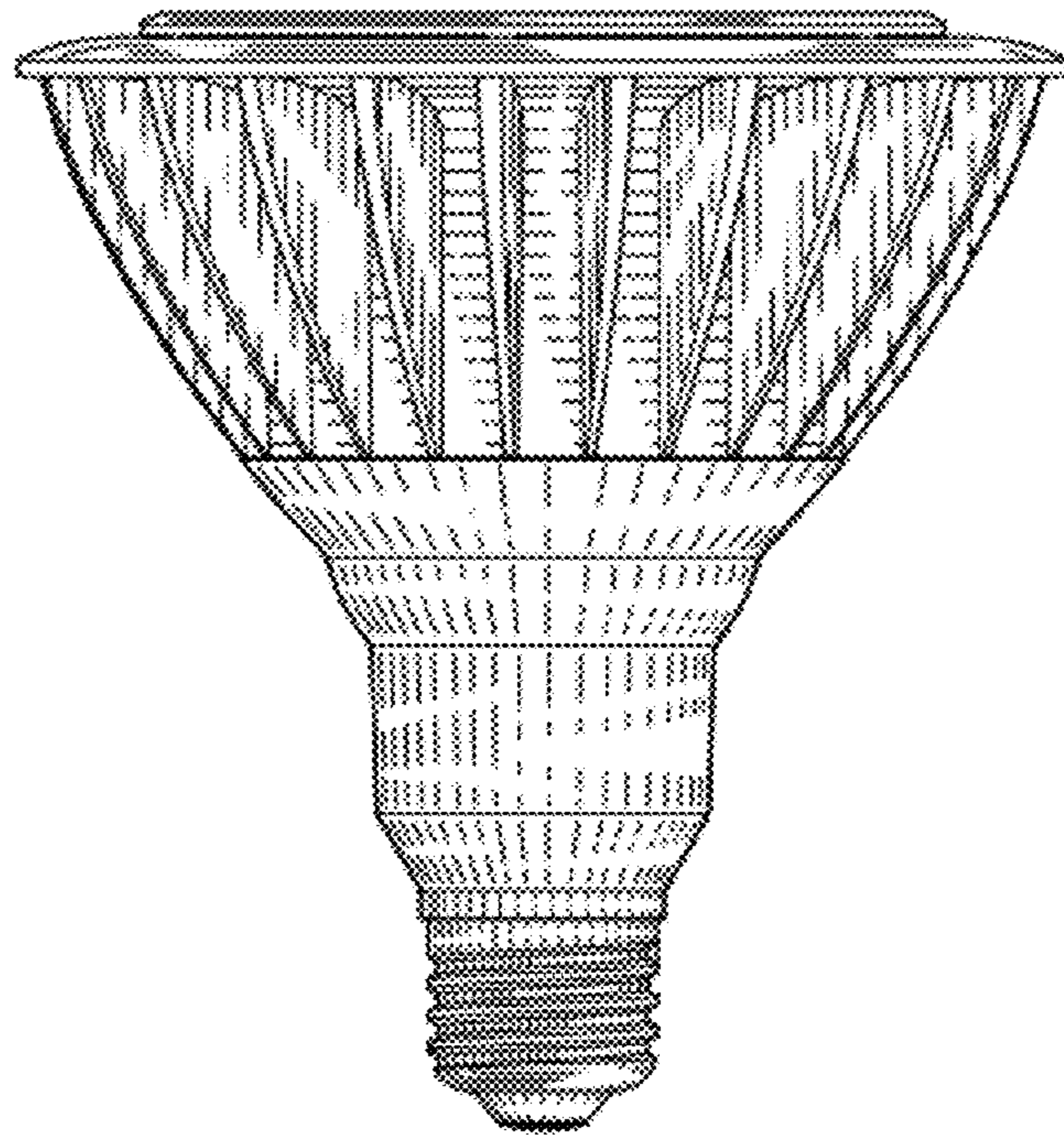


FIG. 2

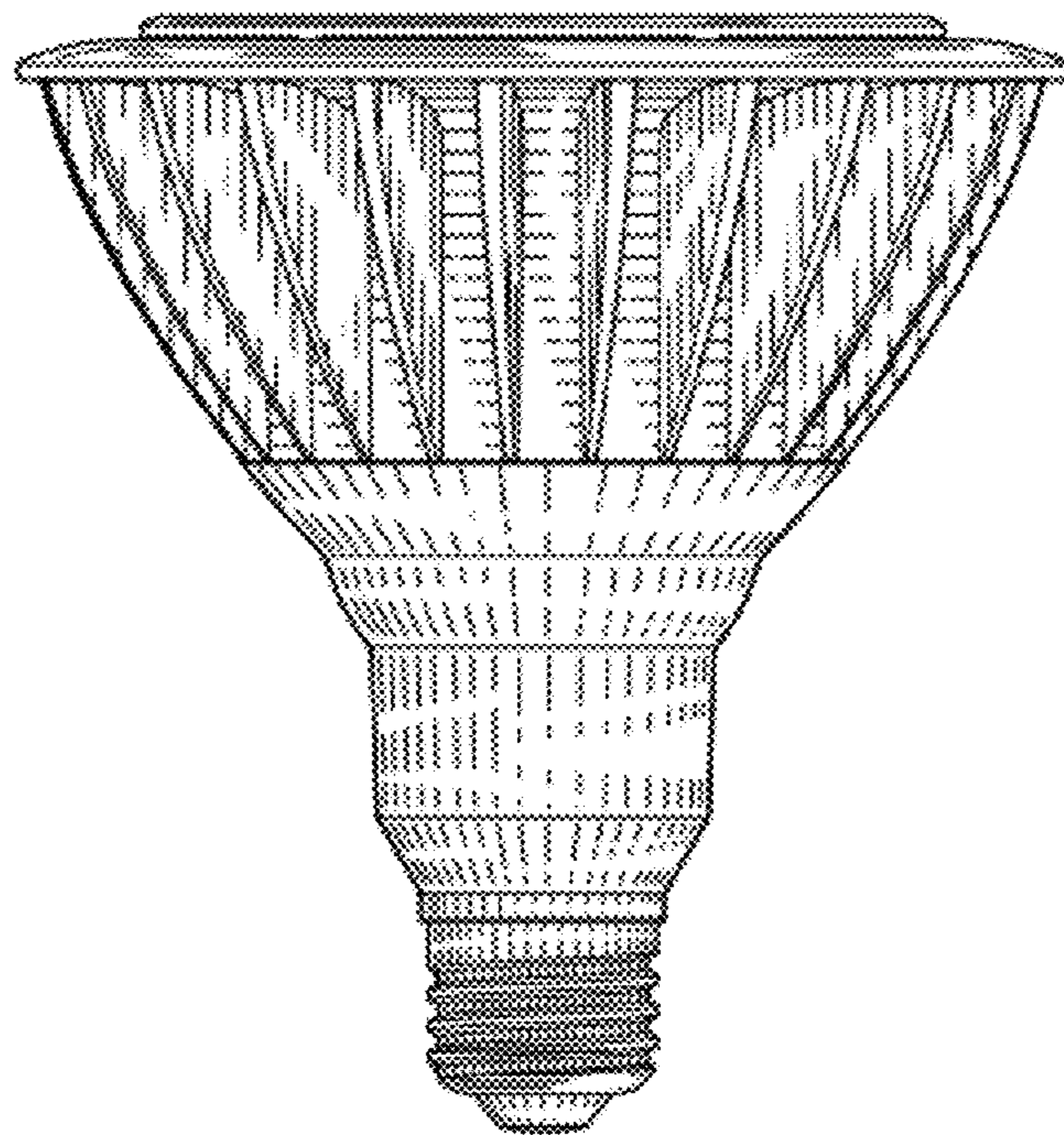


FIG. 3

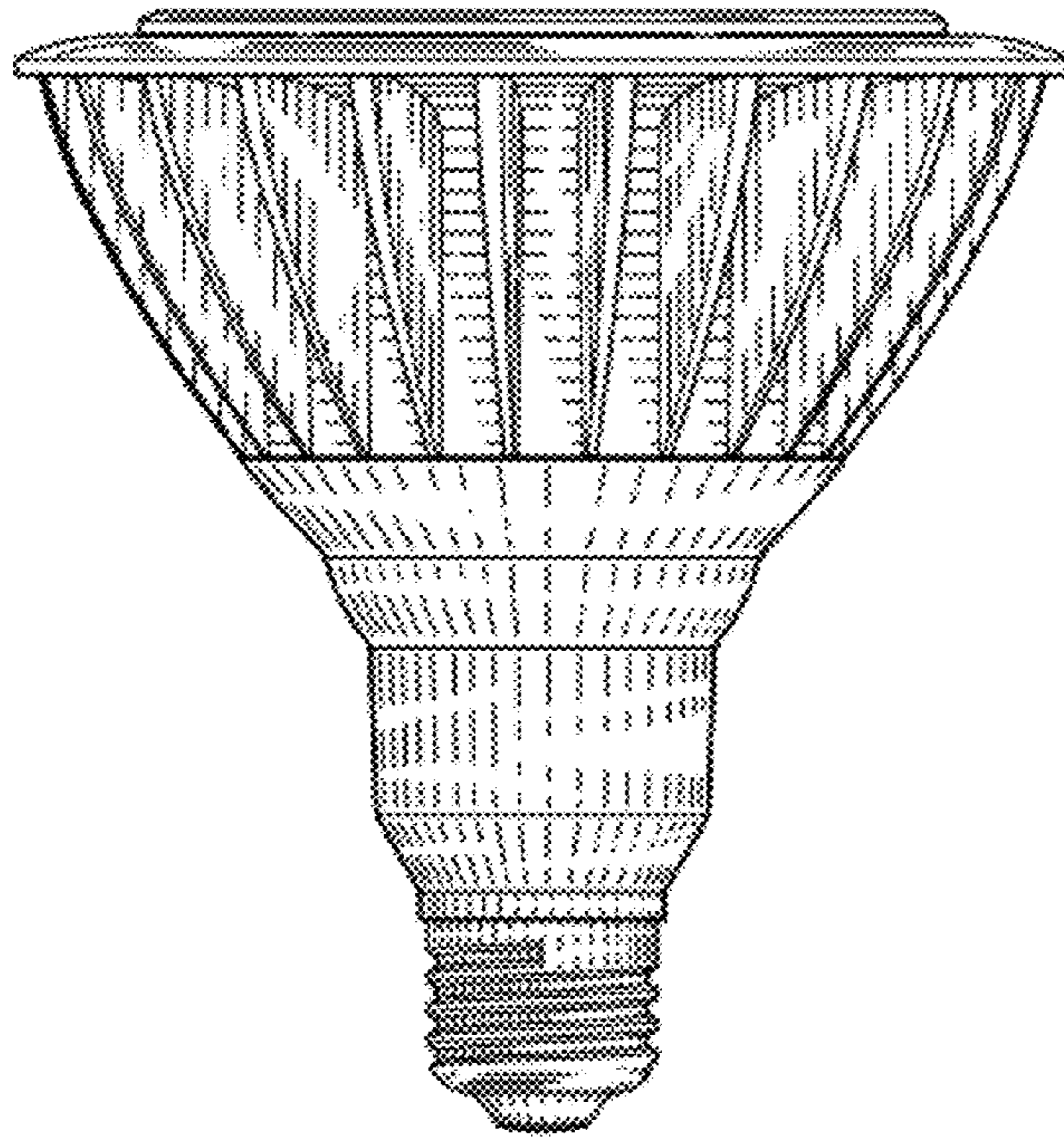


FIG. 4

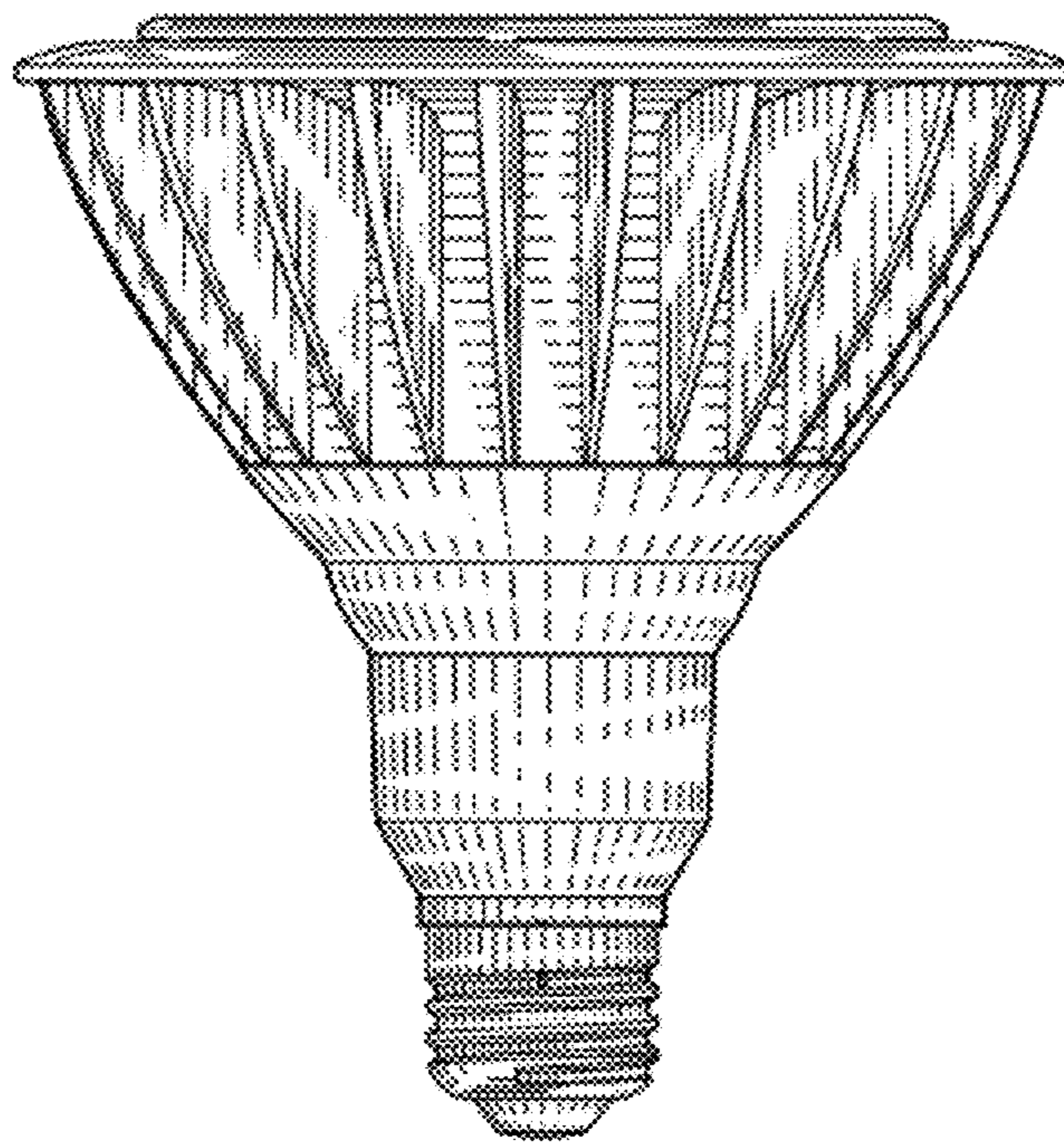


FIG. 5

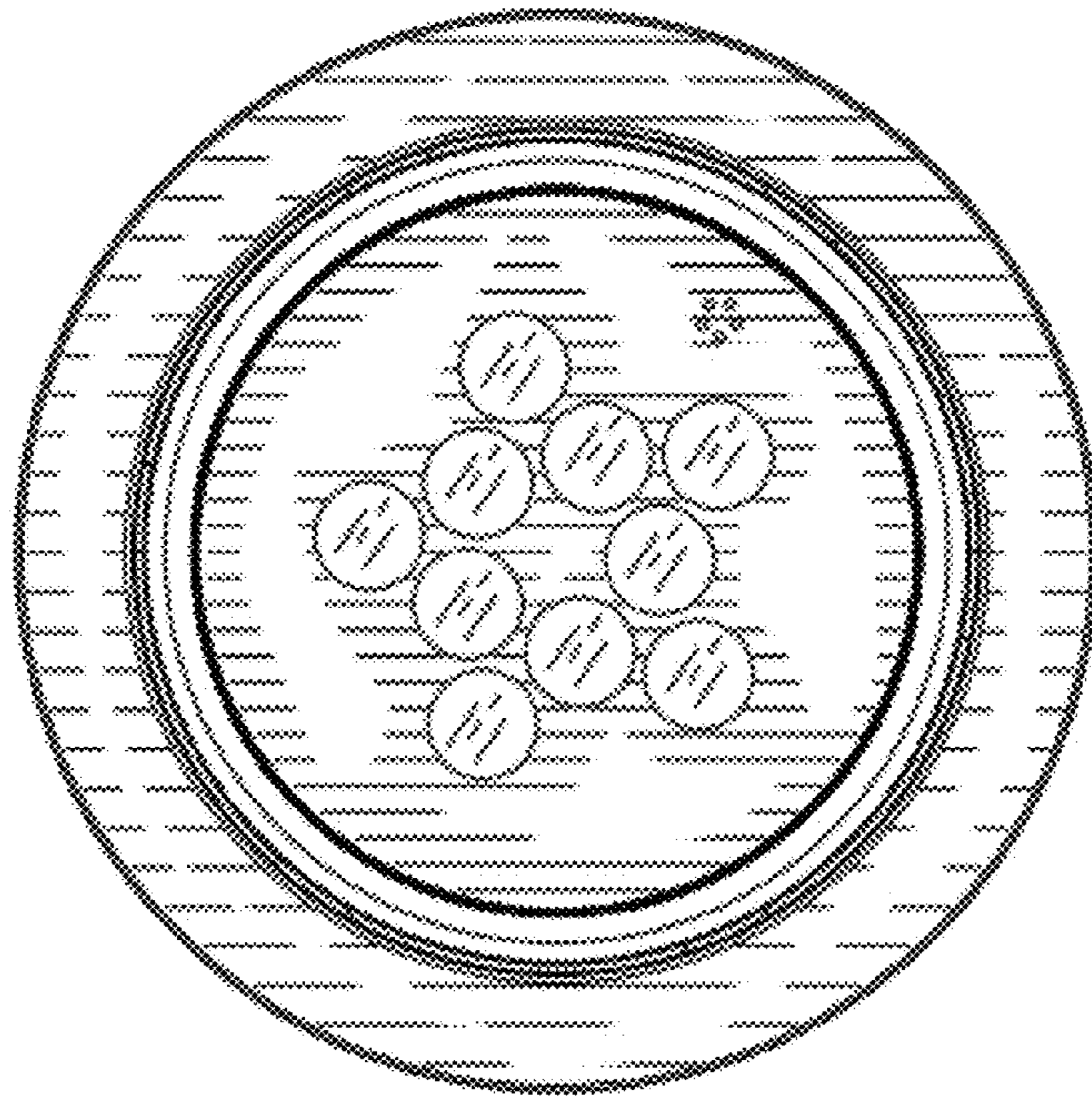


FIG. 6

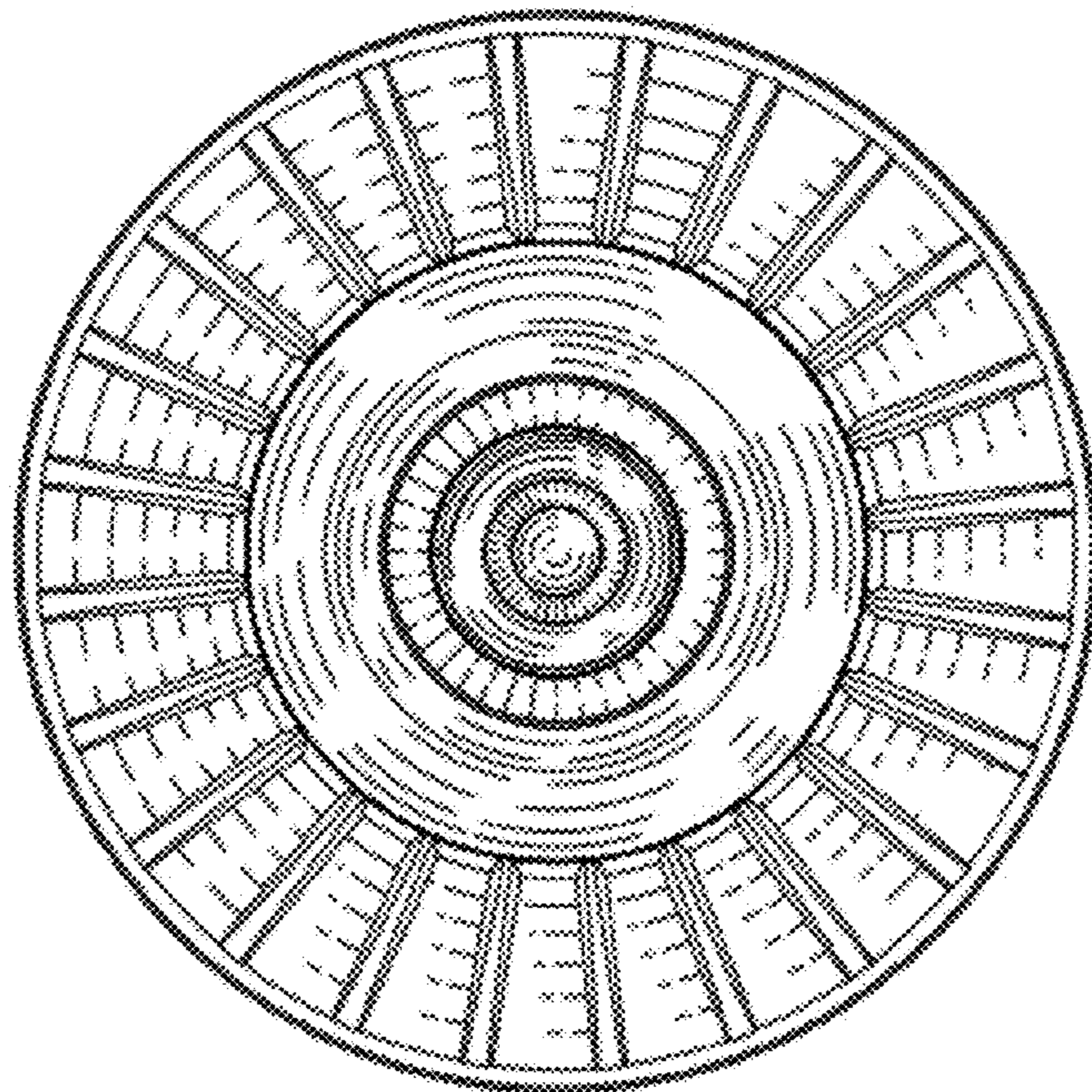


FIG. 7