



US00D677800S

(12) **United States Design Patent**
Cetindag

(10) **Patent No.:** **US D677,800 S**
(45) **Date of Patent:** **** Mar. 12, 2013**

- (54) **COMPOSITE WALL BRICK**
- (75) Inventor: **Sedat Cetindag**, Yakuplu Istanbul (TR)
- (73) Assignee: **Renco Kompozit** (TR)
- (**) Term: **14 Years**
- (21) Appl. No.: **29/398,110**
- (22) Filed: **Jul. 26, 2011**
- (51) **LOC (9) Cl.** **25-01**
- (52) **U.S. Cl.** **D25/113**
- (58) **Field of Classification Search** D25/102-118,
D25/138, 152, 157-162, 164; D21/484-491,
D21/499-504; 405/16, 284, 286; 52/503-505,
52/574, 575, 596-612; 404/27-42
See application file for complete search history.

- D198,527 S * 6/1964 Long D25/118
- D249,231 S * 9/1978 Van der Veken D25/113
- D261,047 S * 9/1981 Long D25/118
- 4,835,928 A 6/1989 Scott
- D429,822 S * 8/2000 Jensen D25/118
- D463,866 S * 10/2002 Jang D25/113
- 2010/0218443 A1 9/2010 Studebaker et al.
- 2010/0325993 A1 12/2010 Bolin
- 2011/0225909 A1* 9/2011 Rodriguez Carassus 52/604

* cited by examiner

Primary Examiner — Anhdao Doan

(74) *Attorney, Agent, or Firm* — Lerner, David, Littenberg, Krumholz & Mentlik, LLP

(57) **CLAIM**

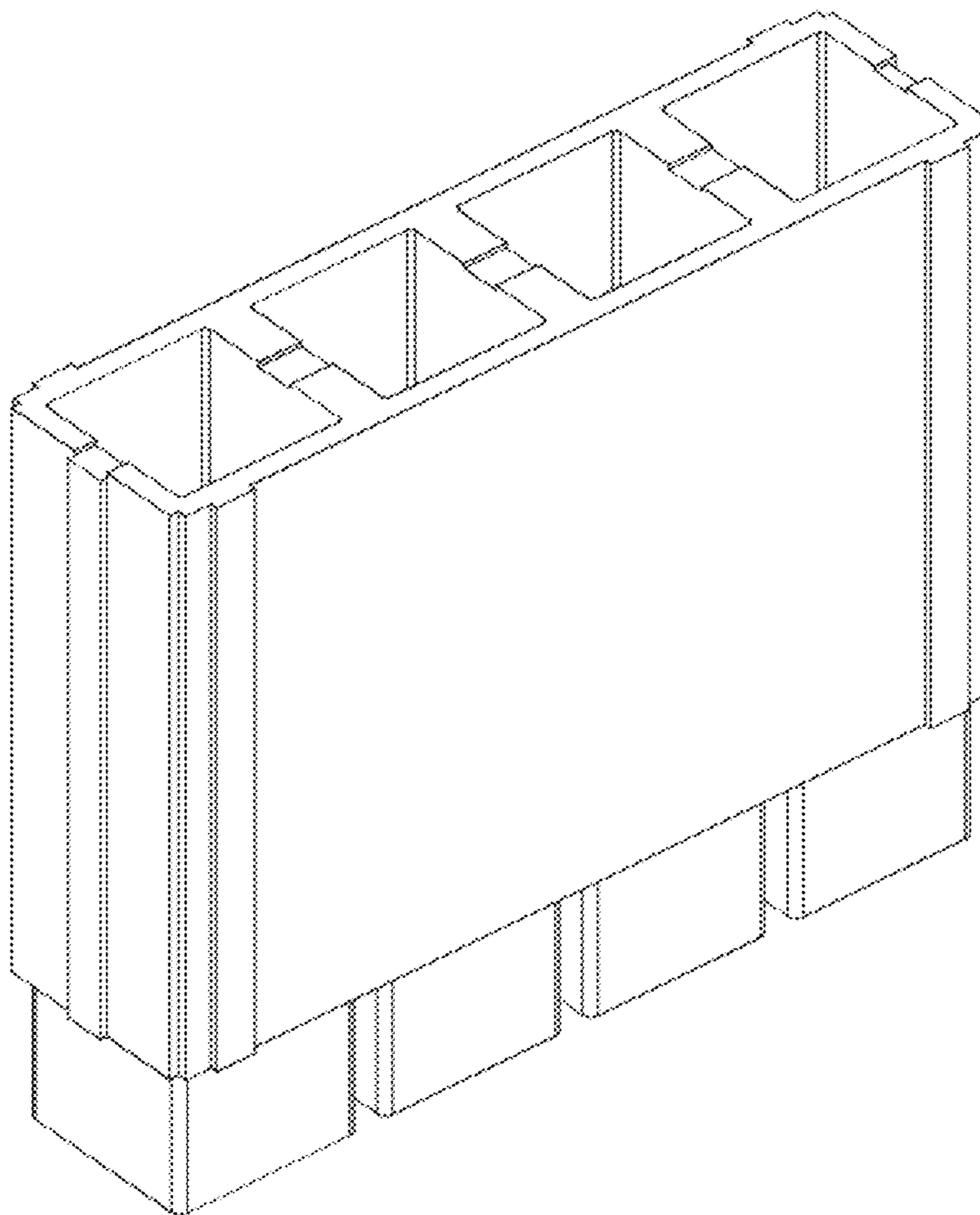
The ornamental design for composite wall brick, as shown and described.

DESCRIPTION

FIG. 1 is a bottom, front and left side isometric view of a composite wall brick; and,
FIG. 2 is a top, rear and right side isometric view thereof.

1 Claim, 2 Drawing Sheets

- (56) **References Cited**
- U.S. PATENT DOCUMENTS
- 1,472,642 A 10/1923 Evans, Jr.
- 1,795,001 A 3/1931 Wilkins



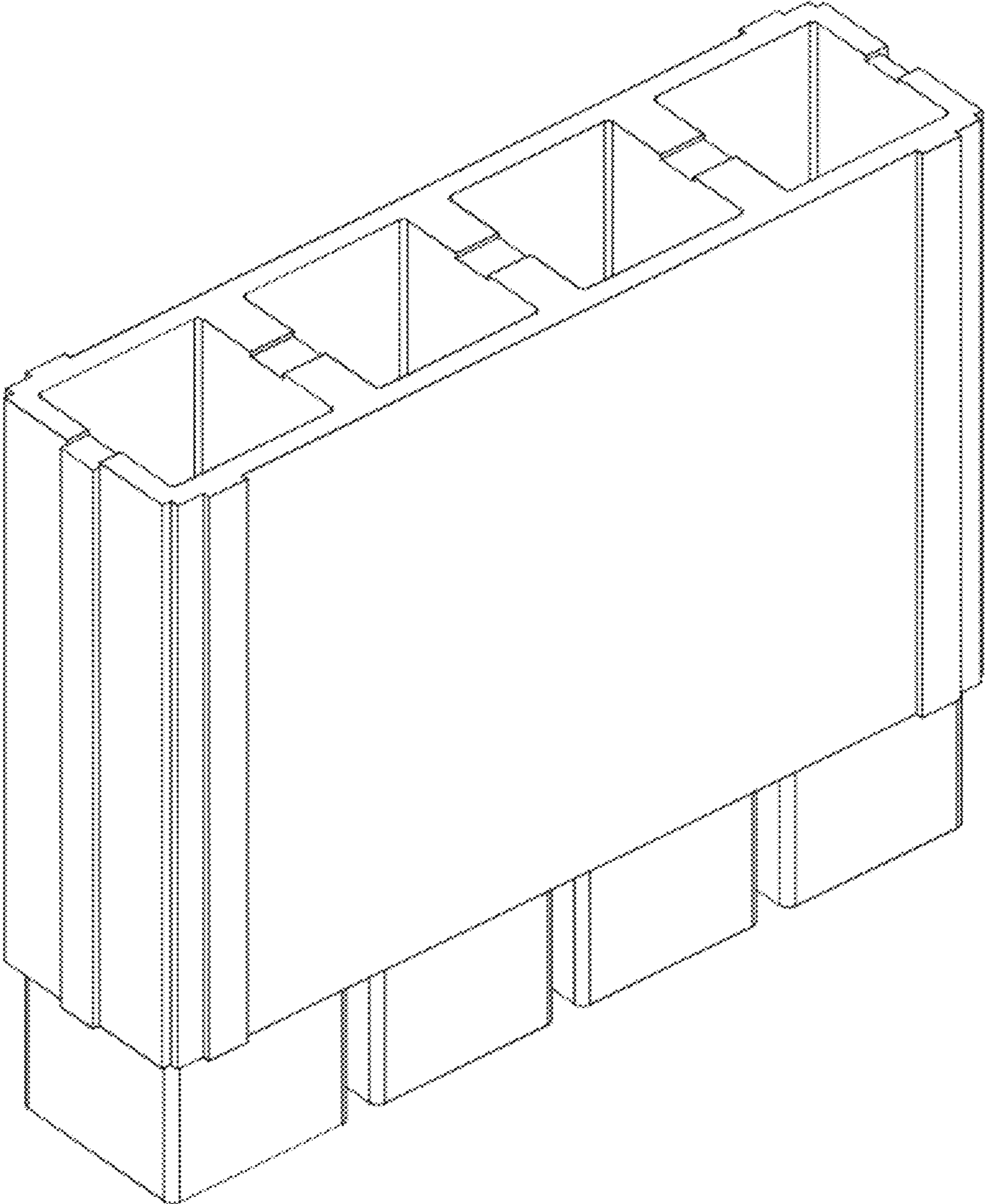


Figure 1

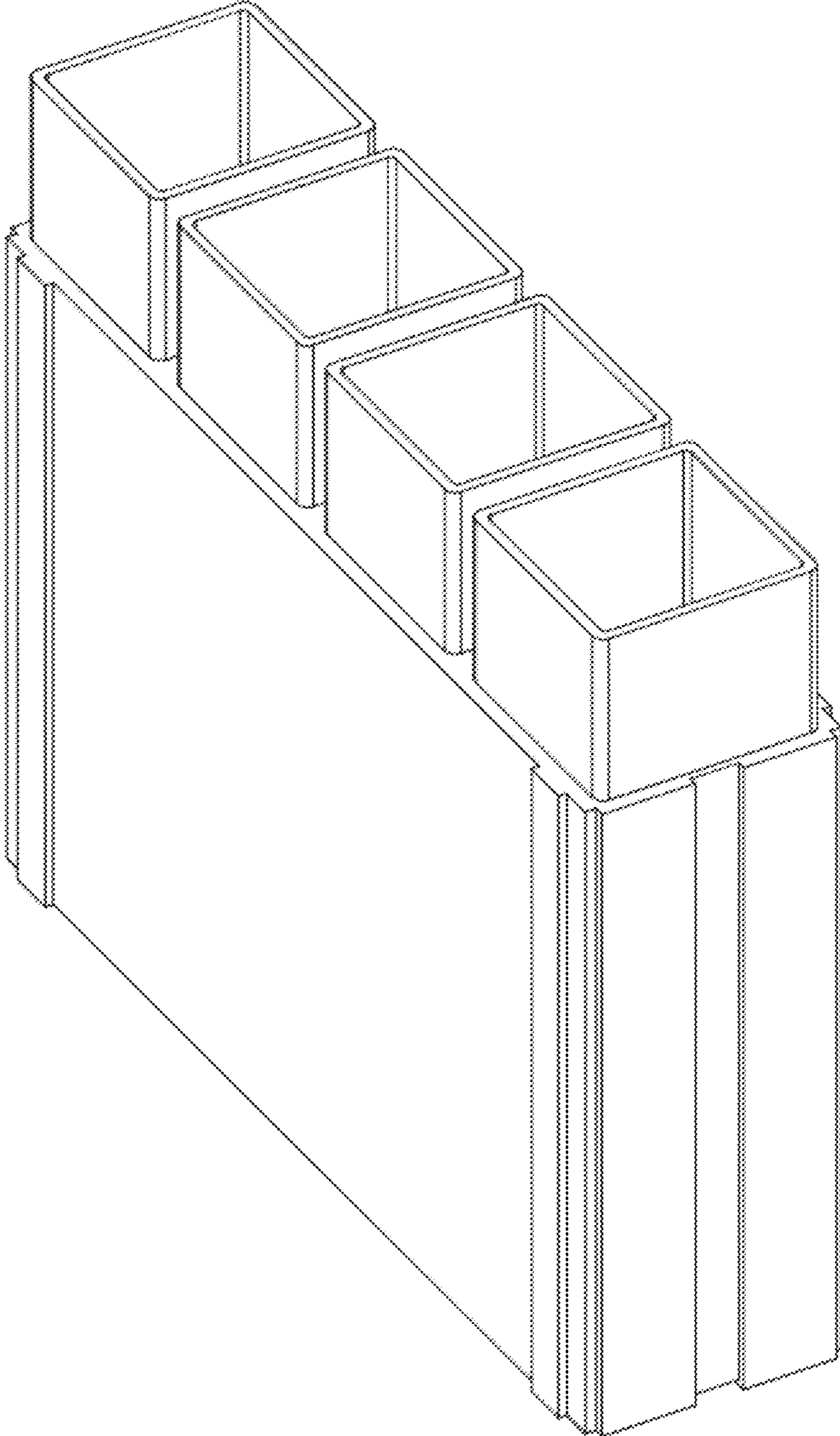


Figure 2