



US00D677799S

(12) **United States Design Patent**
Göransson et al.

(10) **Patent No.:** **US D677,799 S**
(45) **Date of Patent:** **** Mar. 12, 2013**

(54) **LADDER**

(74) *Attorney, Agent, or Firm* — Merchant & Gould P.C.

(75) Inventors: **Magnus Göransson**, Tranås (SE); **Jens Bernhardsson**, Tranås (SE)

(57) **CLAIM**
The ornamental design for ladder, as shown and described.

(73) Assignee: **Telesteps AB**, Tranas (SE)

DESCRIPTION

(**) Term: **14 Years**

(21) Appl. No.: **29/396,334**

(22) Filed: **Jun. 29, 2011**

(30) **Foreign Application Priority Data**

Dec. 29, 2010 (EM) 001799875
Dec. 29, 2010 (EM) 001799883

(51) **LOC (9) Cl.** **25-04**

(52) **U.S. Cl.** **D25/64**

(58) **Field of Classification Search** D25/64;
182/156, 40, 180.1, 202, 201, 204
See application file for complete search history.

FIG. 1 is a top and front perspective view of a ladder according to the principles of the present invention.
FIG. 2 is a bottom and rear perspective view of the ladder of FIG. 1.
FIG. 3 is a side view of the ladder of FIG. 1.
FIG. 4 is a side view of the ladder of FIG. 1.
FIG. 5 is a front view of the ladder of FIG. 1.
FIG. 6 is a top perspective view of the ladder of FIG. 1.
FIG. 7 is a side perspective view of the ladder of FIG. 1.
FIG. 8 is an enlarged collapsed side perspective view of a ladder according to the principles of the present invention.
FIG. 9 is an enlarged collapsed front view of the ladder of FIG. 8.
FIG. 10 is an enlarged collapsed bottom and rear perspective of the view of the ladder of FIG. 8.
FIG. 11 is an enlarged collapsed side view of the ladder of FIG. 8.
FIG. 12 is an enlarged collapsed top view of the ladder of FIG. 8.
FIG. 13 is an enlarged collapsed bottom perspective view of the ladder of FIG. 8; and,
FIG. 14 is an enlarged collapsed top view of the ladder of FIG. 8.

(56) **References Cited**

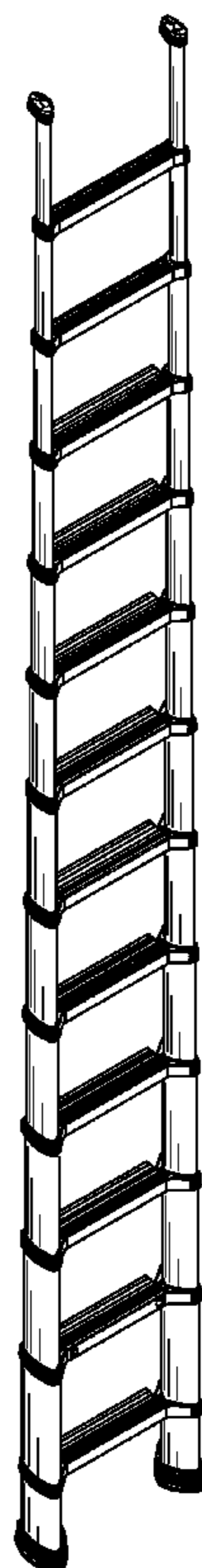
U.S. PATENT DOCUMENTS

D365,402 S * 12/1995 Jones D25/64
D535,757 S * 1/2007 Davis D25/64
2006/0283664 A1 * 12/2006 Yao 182/156

* cited by examiner

Primary Examiner — Doris Clark

1 Claim, 14 Drawing Sheets



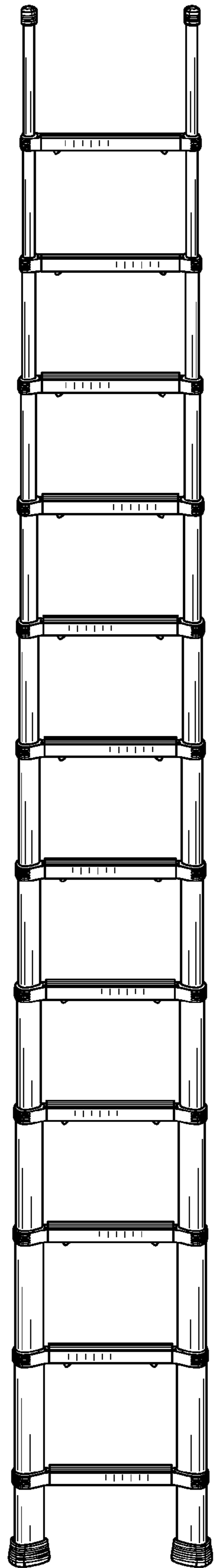


FIG. 1

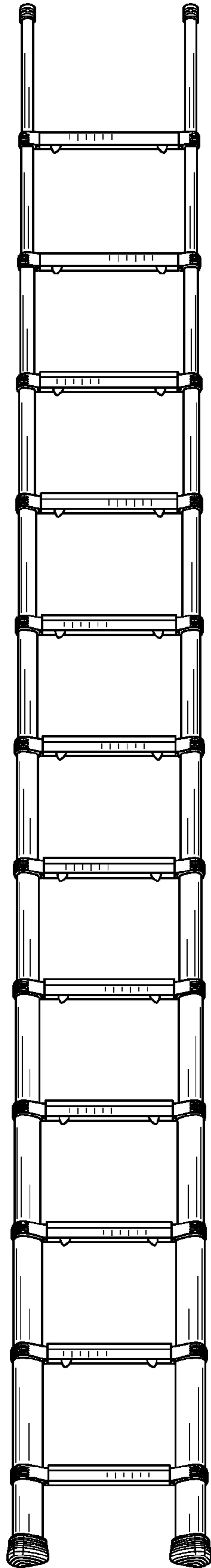


FIG. 2

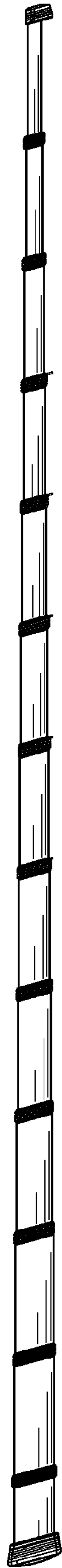


FIG. 3

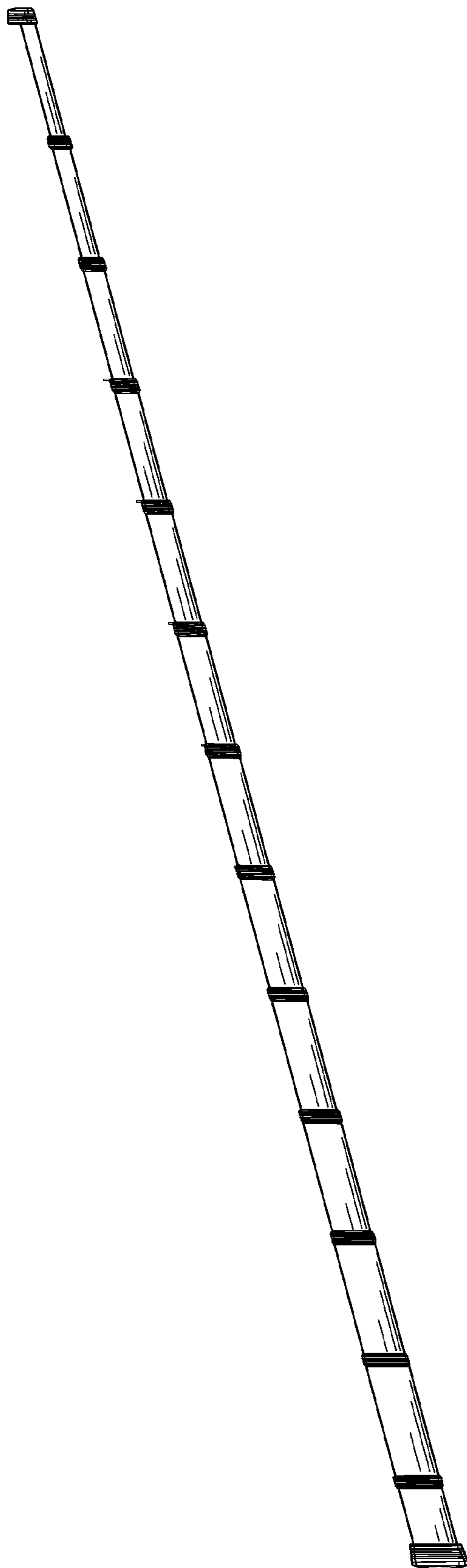


FIG. 4

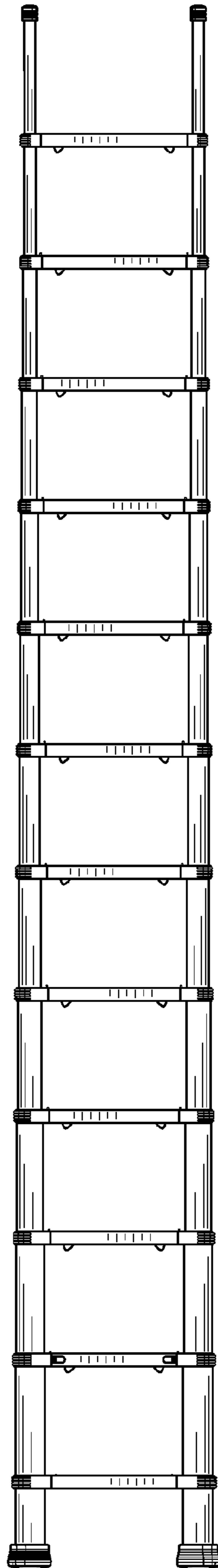


FIG. 5

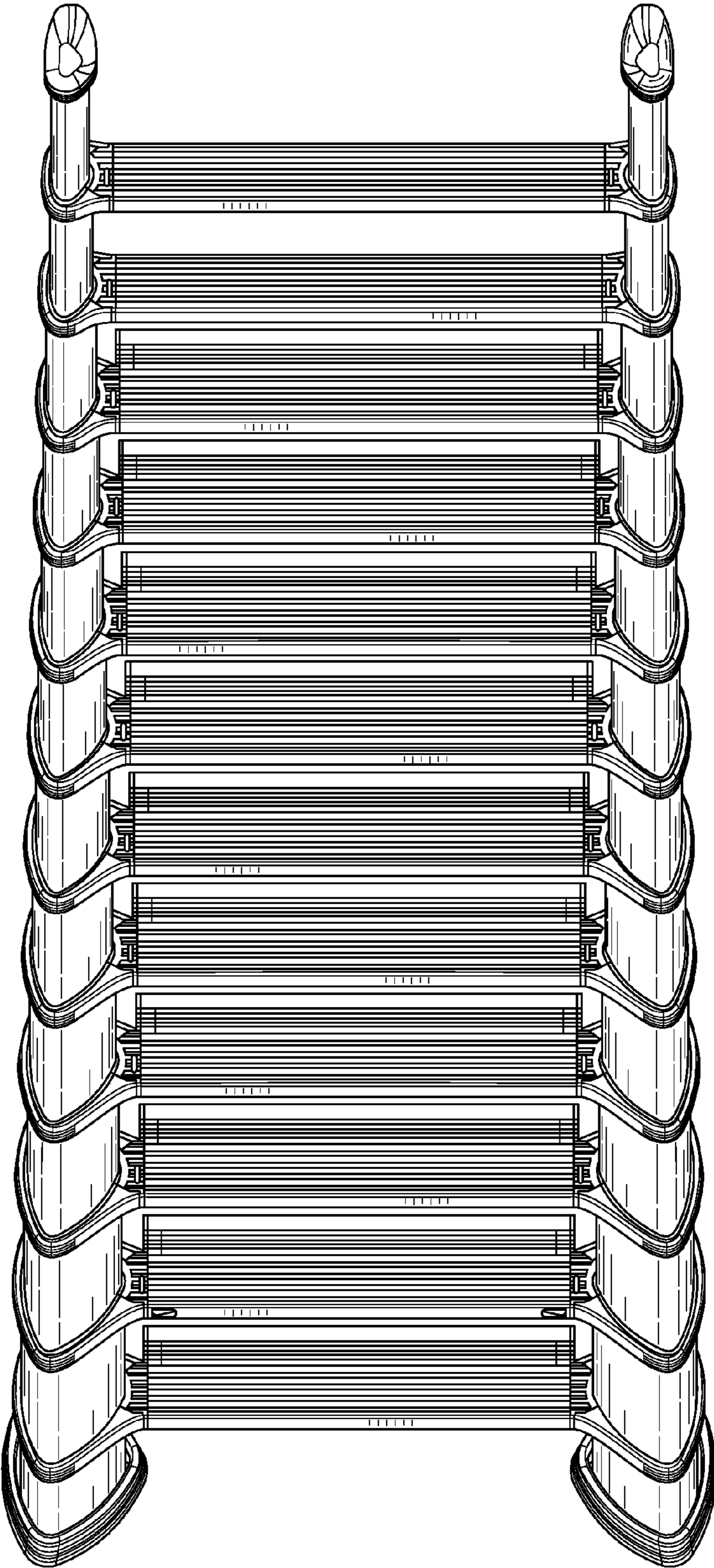


FIG. 6

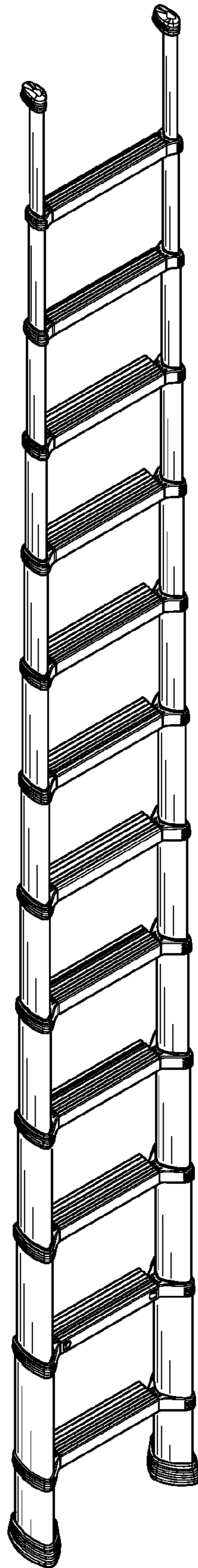


FIG. 7

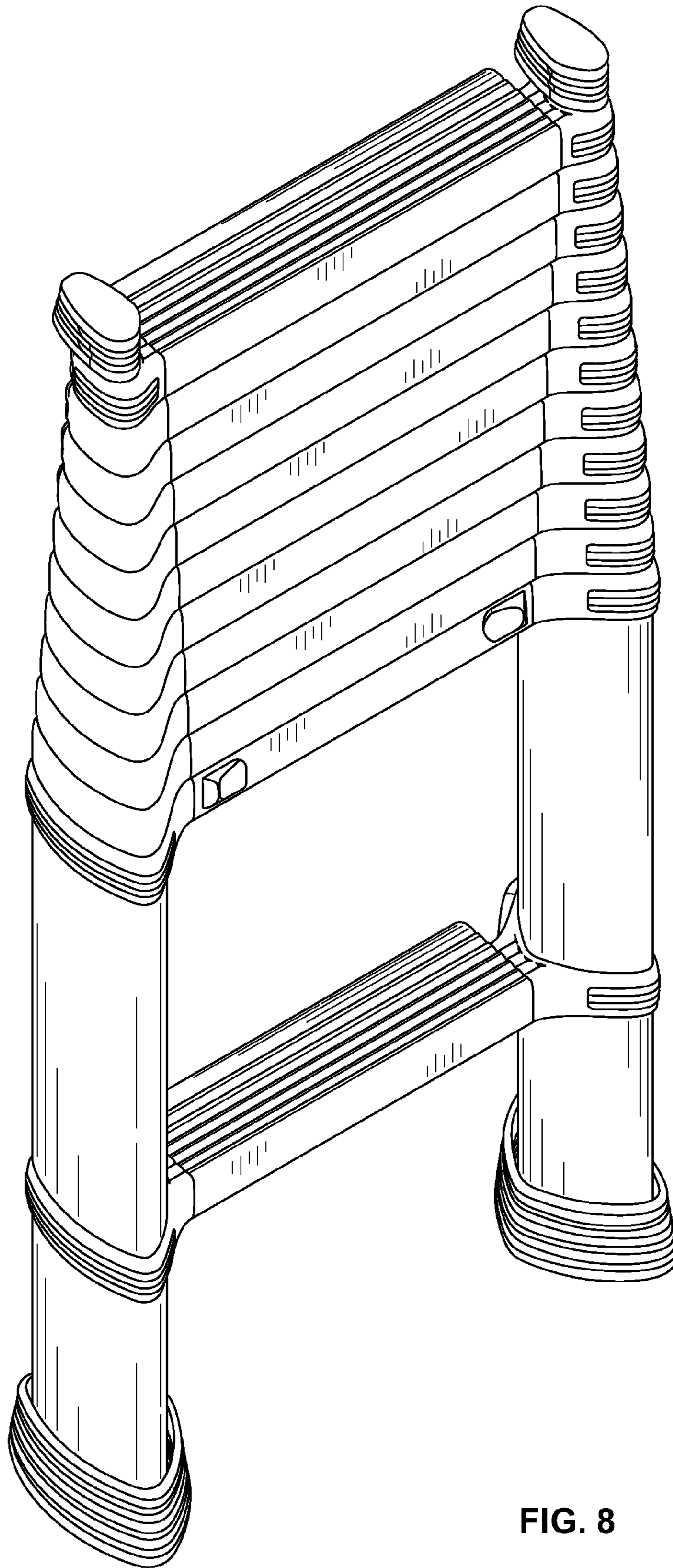


FIG. 8

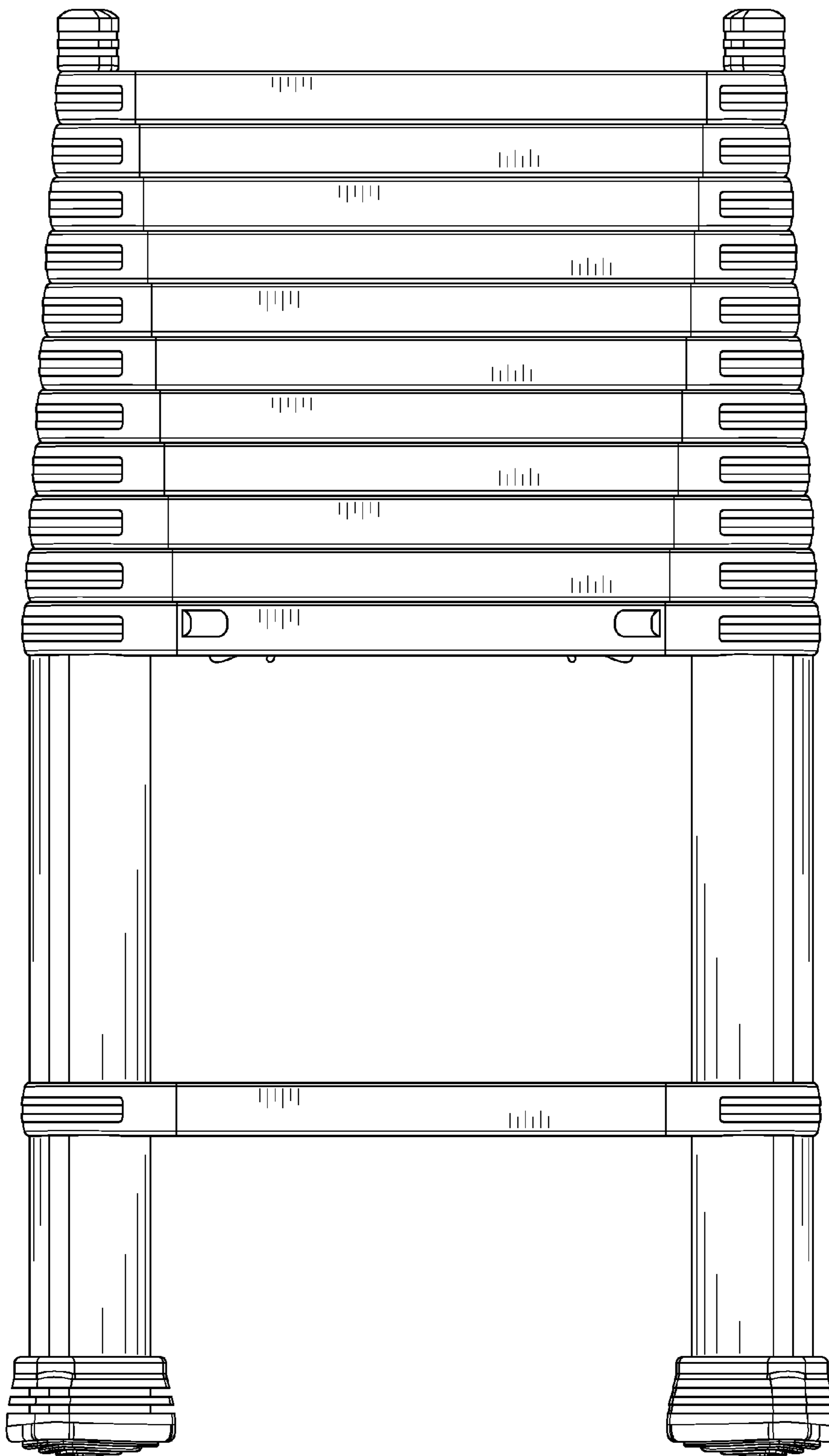


FIG. 9

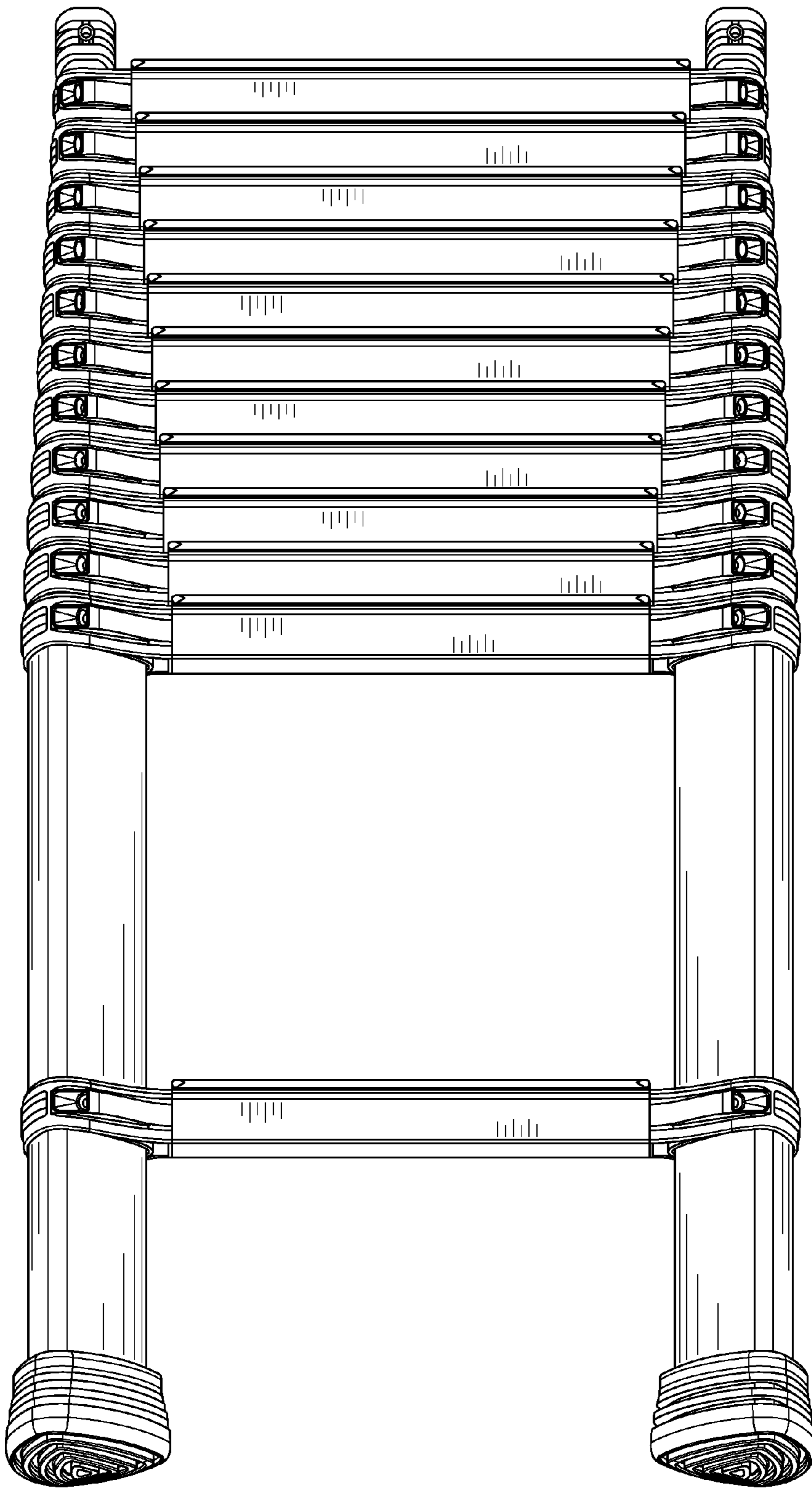


FIG. 10

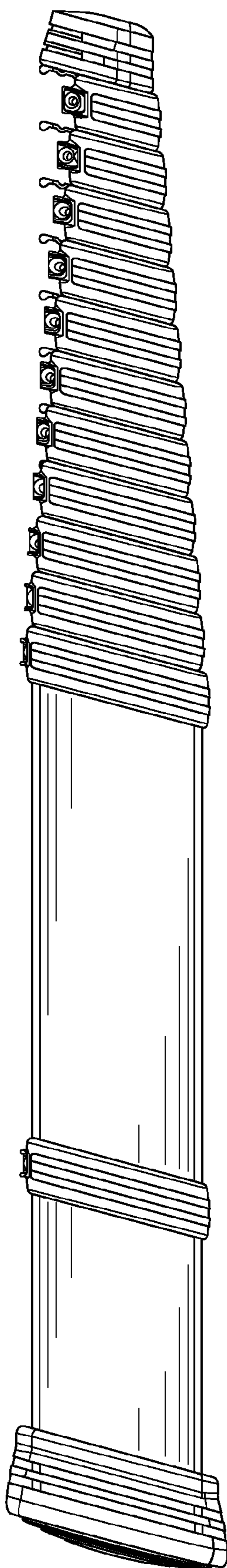


FIG. 11

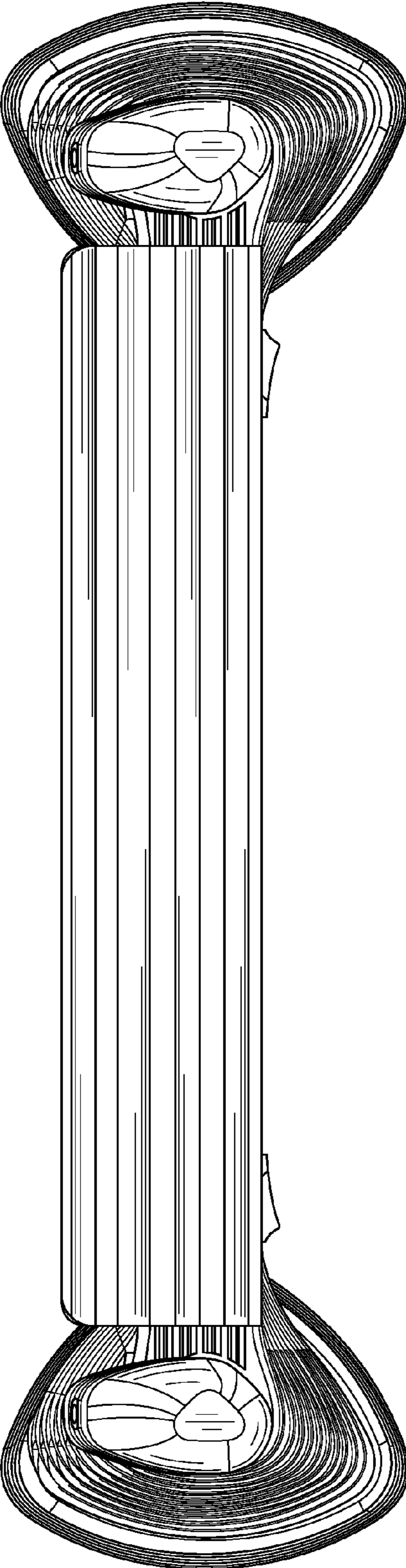


FIG. 12

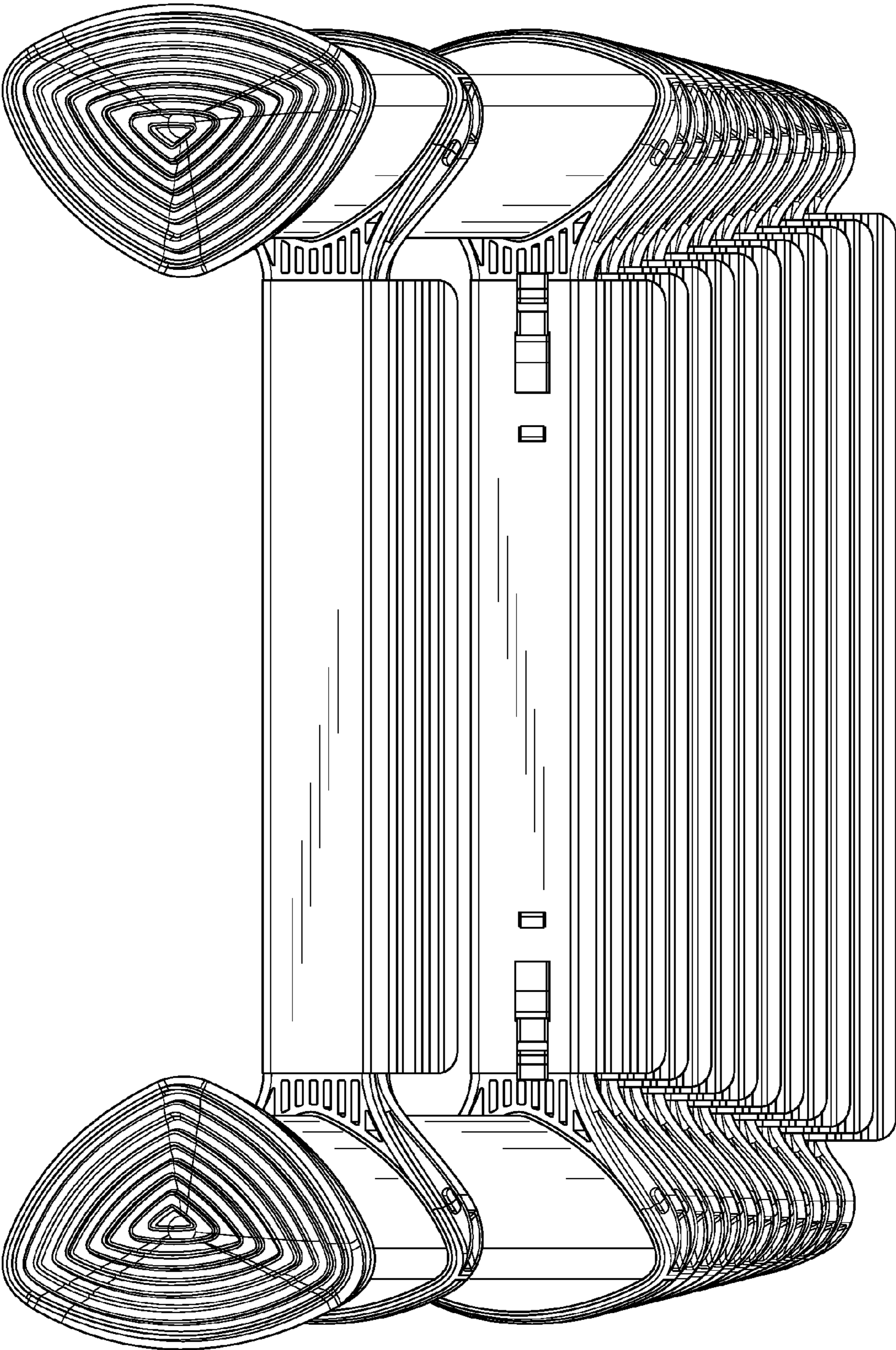


FIG. 13

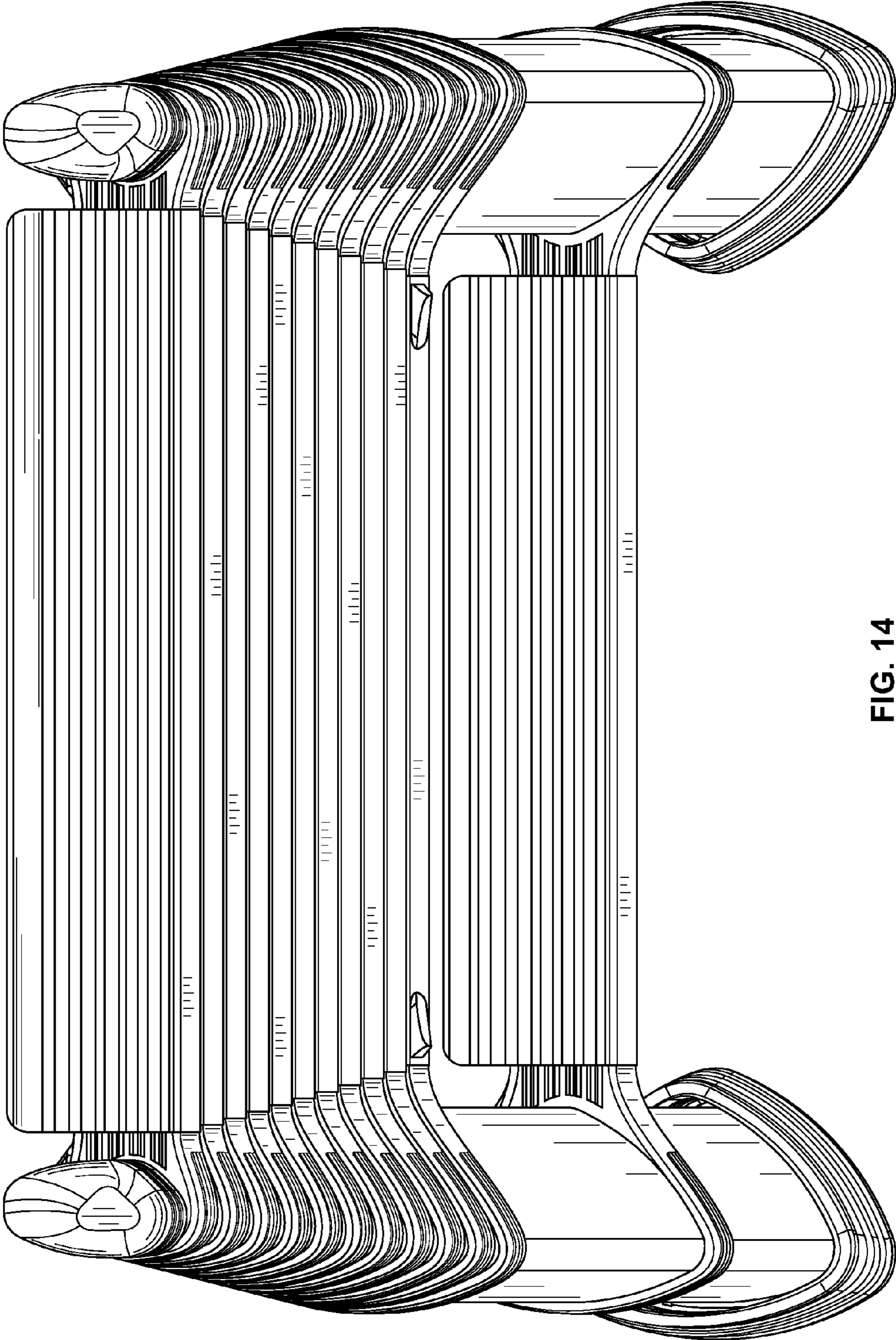


FIG. 14