



US00D677796S

(12) **United States Design Patent**
Barlow

(10) **Patent No.:** **US D677,796 S**
(45) **Date of Patent:** **** Mar. 12, 2013**

(54) **INFANT NURSING DEVICE**

(74) *Attorney, Agent, or Firm* — Albert O. Cota

(76) Inventor: **Christine Barlow**, Thousand Oaks, CA
(US)

(**) Term: **14 Years**

(57) **CLAIM**
The ornamental design for an infant nursing device, as shown and described.

(21) Appl. No.: **29/395,030**

(22) Filed: **Nov. 14, 2011**

DESCRIPTION

(51) **LOC (9) Cl.** **07-01**

(52) **U.S. Cl.** **D24/197**

(58) **Field of Classification Search** D24/193–199,
D24/117; D7/510–511, 533–534; D9/500,
D9/503–504, 547; 215/11.1–11.6, 387, 398,
215/DIG. 8; 219/202

See application file for complete search history.

FIG. 1 is an exploded front elevational view of an infant nursing device showing my new design;
FIG. 2 is an exploded front orthographic view thereof;
FIG. 3 is a front elevational view of the inner container shown separately for completeness of illustration;
FIG. 4 is a side orthographic view of the inner container shown separately for completeness of illustration;
FIG. 5 is a side elevational view of the outer container shown separately for completeness of illustration;
FIG. 6 is a front orthographic view of the outer container shown separately for completeness of illustration;
FIG. 7 is a front elevational view of a cap for sealing the outer container shown separately for completeness of illustration;
FIG. 8 is a side orthographic view of a cap for sealing the outer container shown separately for completeness of illustration;
FIG. 9 is a side elevational view of a cap cover shown separately for completeness of illustration;
FIG. 10 is a side orthographic view of a cap cover shown separately for completeness of illustration;
FIG. 11 is a top plan view of a nipple with a side vent shown separately for completeness of illustration;
FIG. 12 is a side and front orthographic view of a nipple with a side vent shown separately for completeness of illustration;
FIG. 13 is a front elevational view of a nipple with a side vent shown separately for completeness of illustration;
FIG. 14 is a cross-sectional side elevational view of the nipple taken along the lines 14-14 of FIG. 13; and,
FIG. 15 is a bottom plan view of a nipple shown separately for completeness of illustration.

(56) **References Cited**

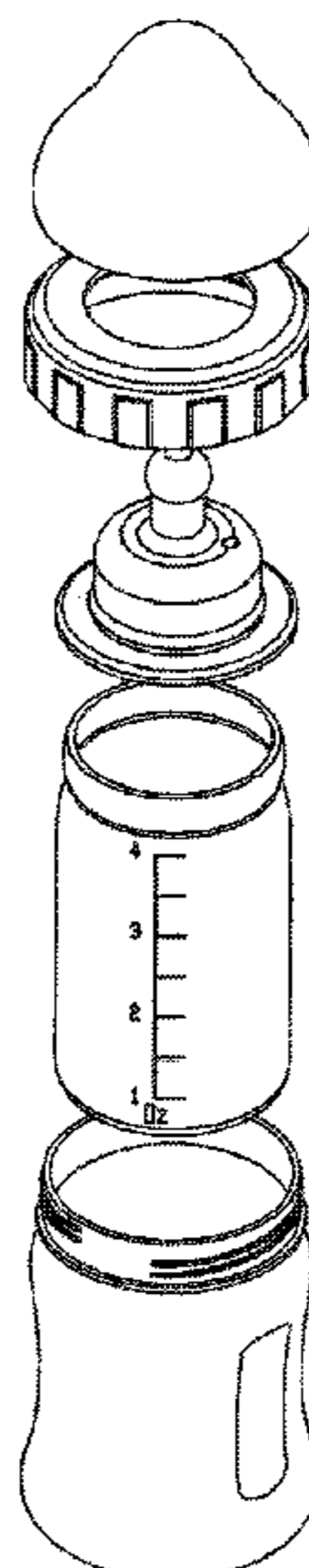
U.S. PATENT DOCUMENTS

1,510,571	A *	10/1924	Ware	215/11.5
3,851,781	A *	12/1974	Marco	215/11.3
4,613,050	A *	9/1986	Atkin et al.	215/11.5
5,316,160	A *	5/1994	Cautereels	215/11.1
5,547,275	A *	8/1996	Lillelund et al.	366/130
5,687,861	A *	11/1997	Wiedemann	215/11.3
6,244,452	B1 *	6/2001	Morano et al.	215/11.6
7,152,750	B2 *	12/2006	Coffey	215/11.6
7,303,086	B2 *	12/2007	Nhan et al.	215/11.3
D595,417	S *	6/2009	Driver et al.	D24/197
7,556,172	B2 *	7/2009	Lane	220/714
D625,423	S *	10/2010	MacKay et al.	D24/197
D627,895	S *	11/2010	Pheil et al.	D24/197
D642,867	S *	8/2011	Miller et al.	D7/510
8,020,507	B2 *	9/2011	Strong	116/308
D648,857	S *	11/2011	Pheil et al.	D24/197
2007/0163983	A1 *	7/2007	Hsu	215/11.1
2008/0128379	A1 *	6/2008	Hen	215/11.5
2009/0114143	A1 *	5/2009	Shih	116/2
2010/0044334	A1 *	2/2010	Barlow	215/11.5

* cited by examiner

Primary Examiner — Susan E Krakower

1 Claim, 5 Drawing Sheets



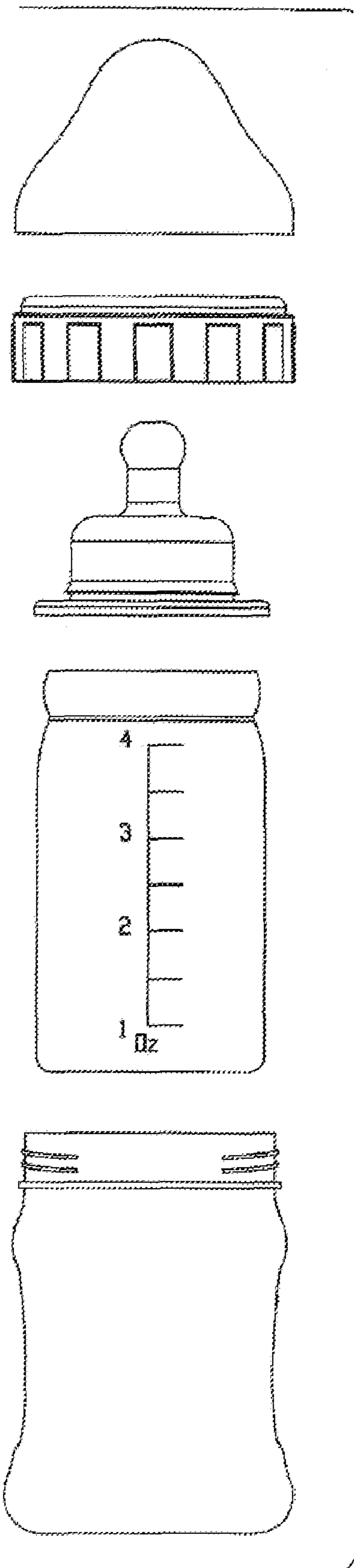


FIG 1

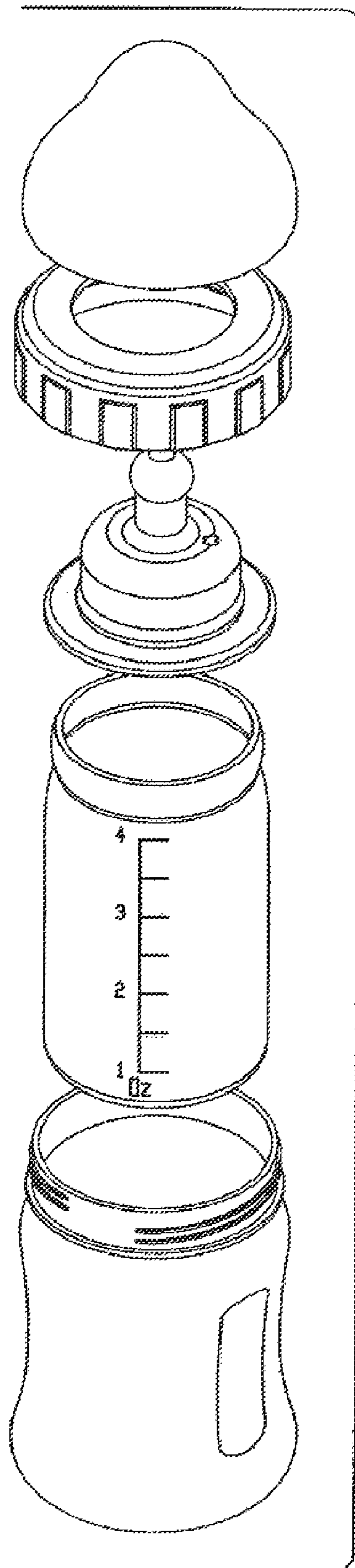


FIG 2

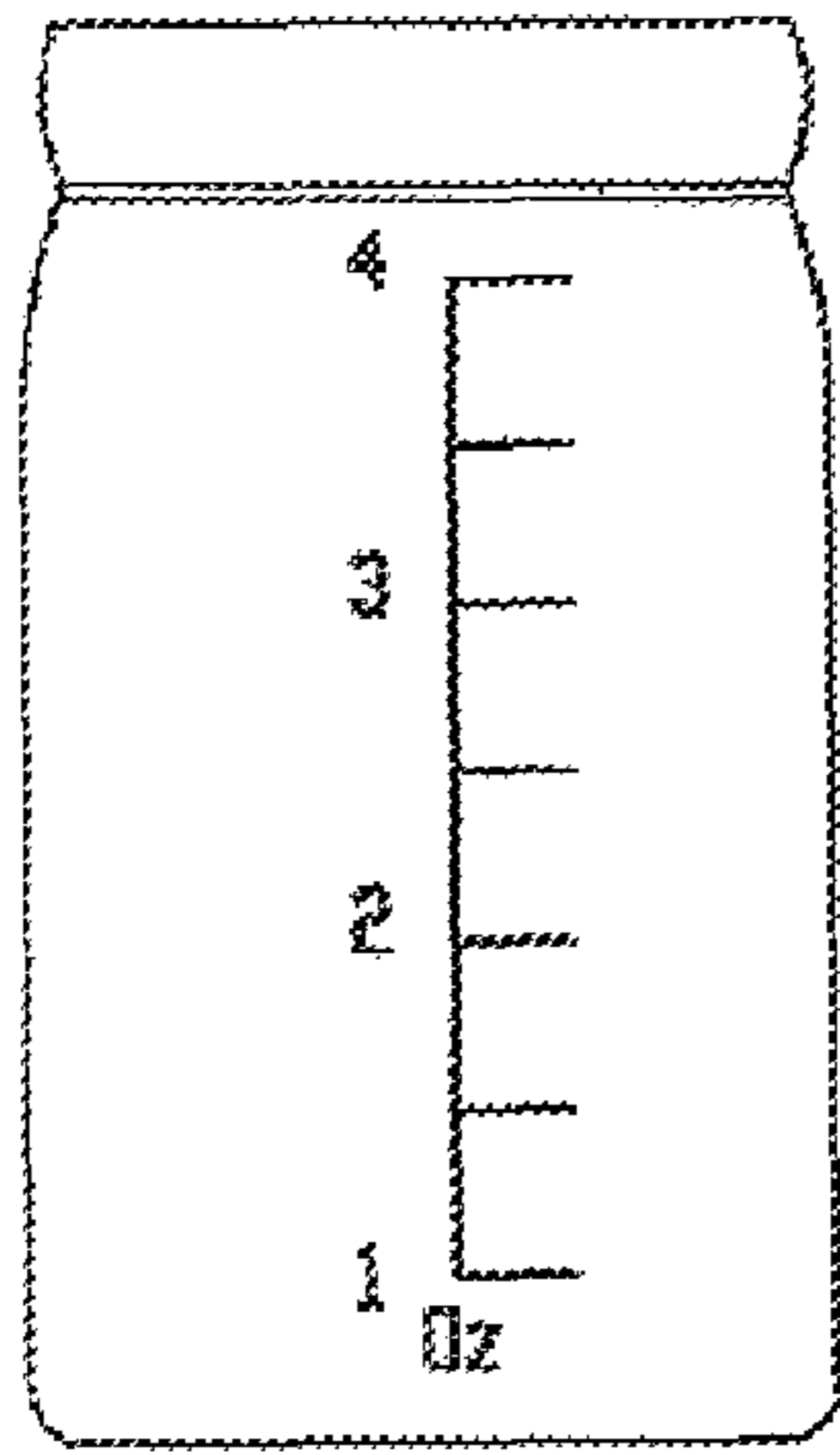


FIG 3

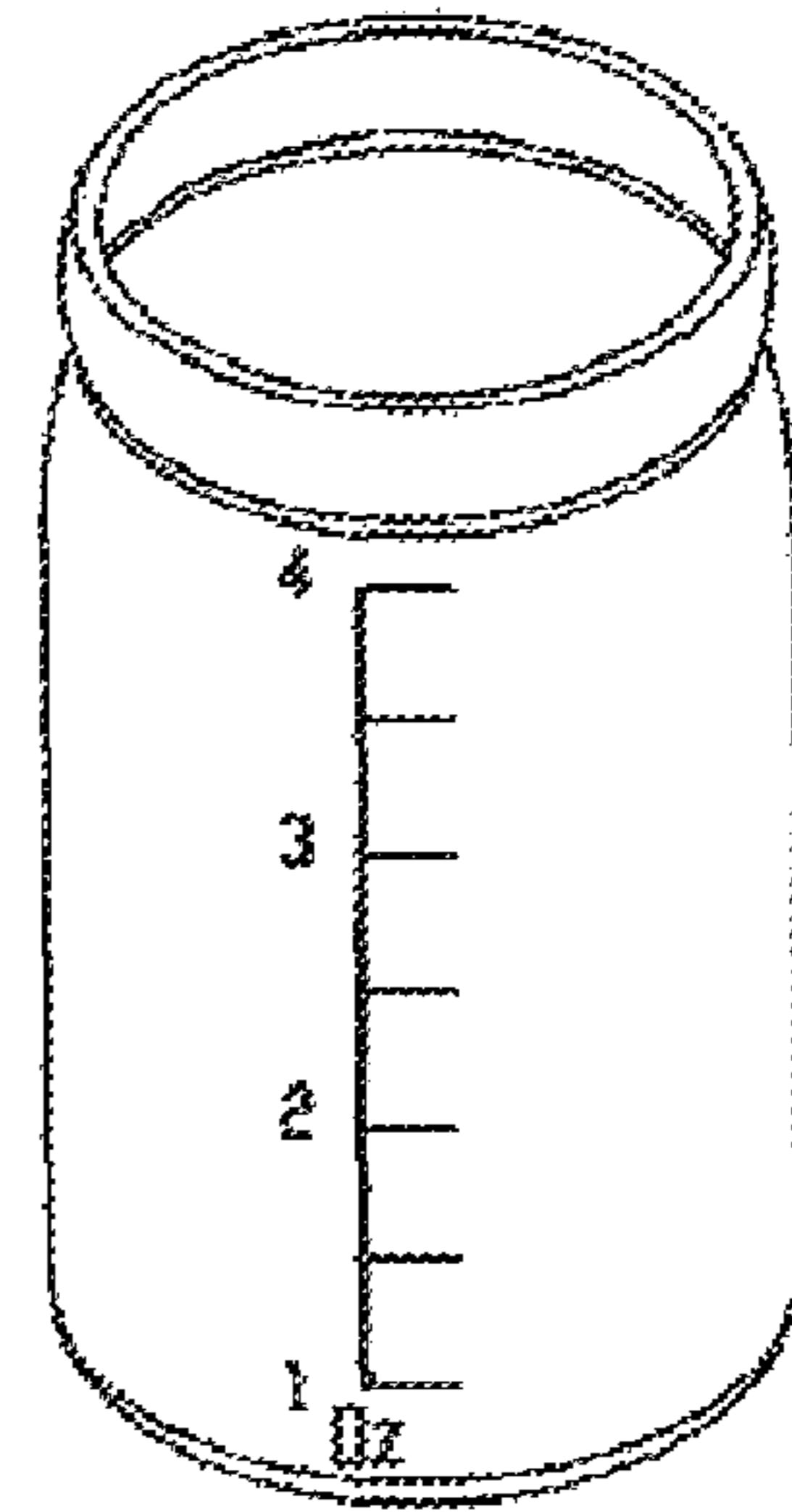


FIG 4

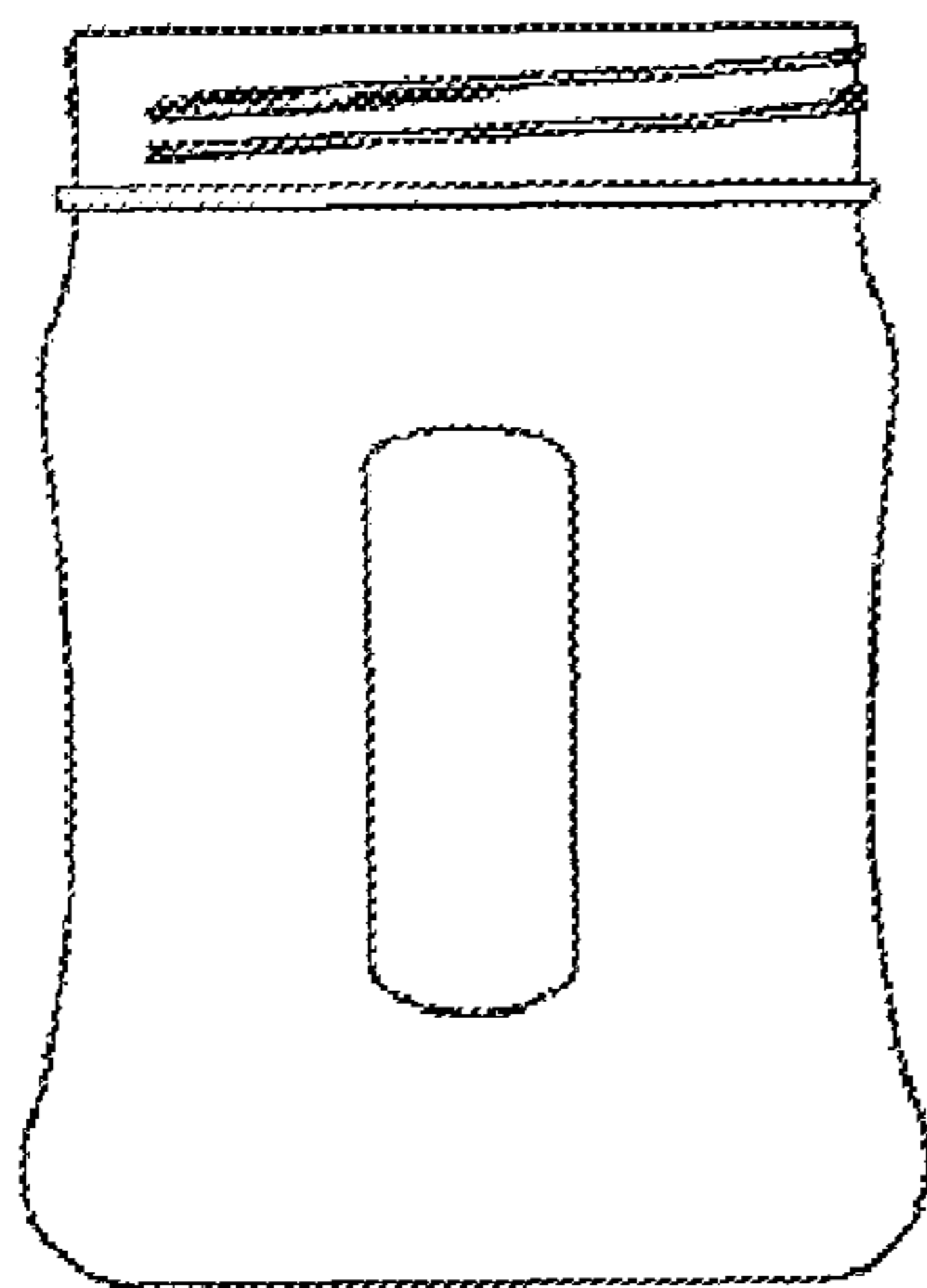


FIG 5

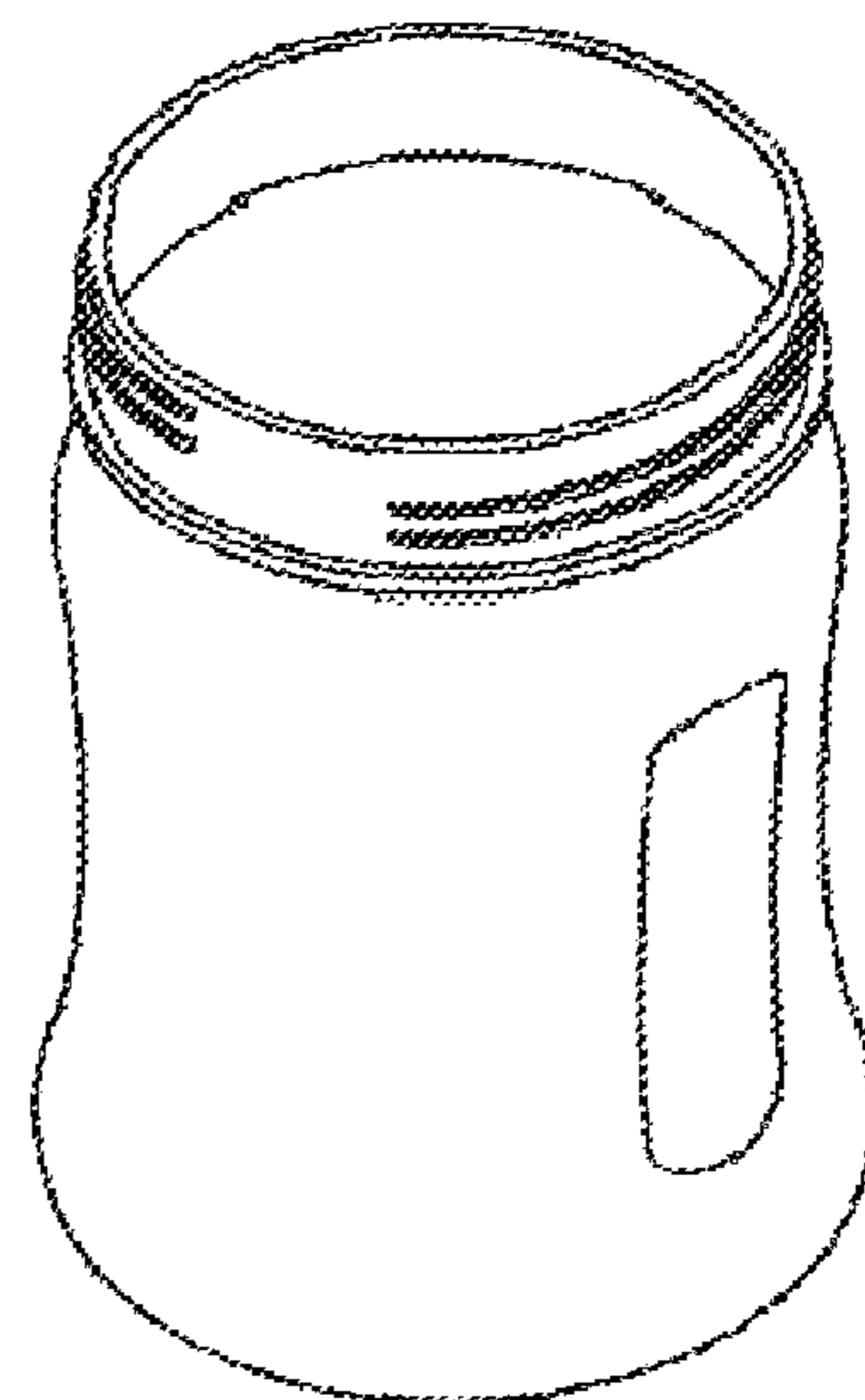


FIG 6

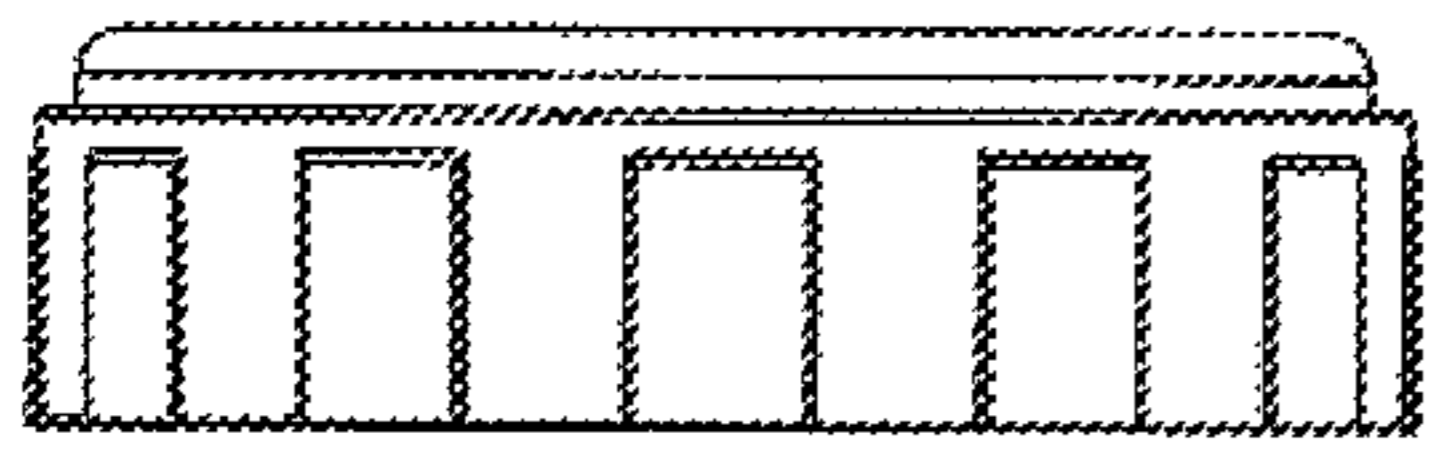


FIG 7

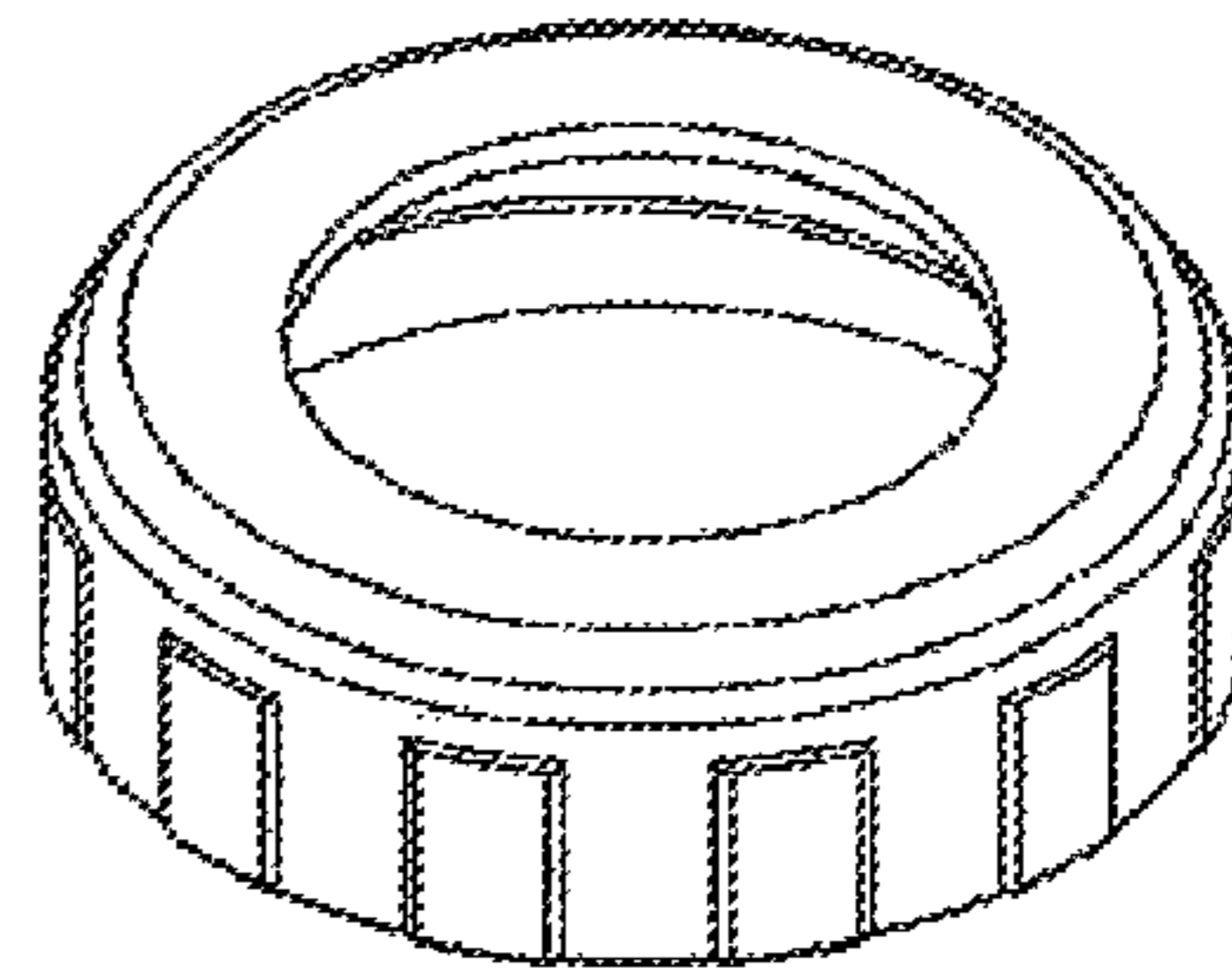


FIG 8

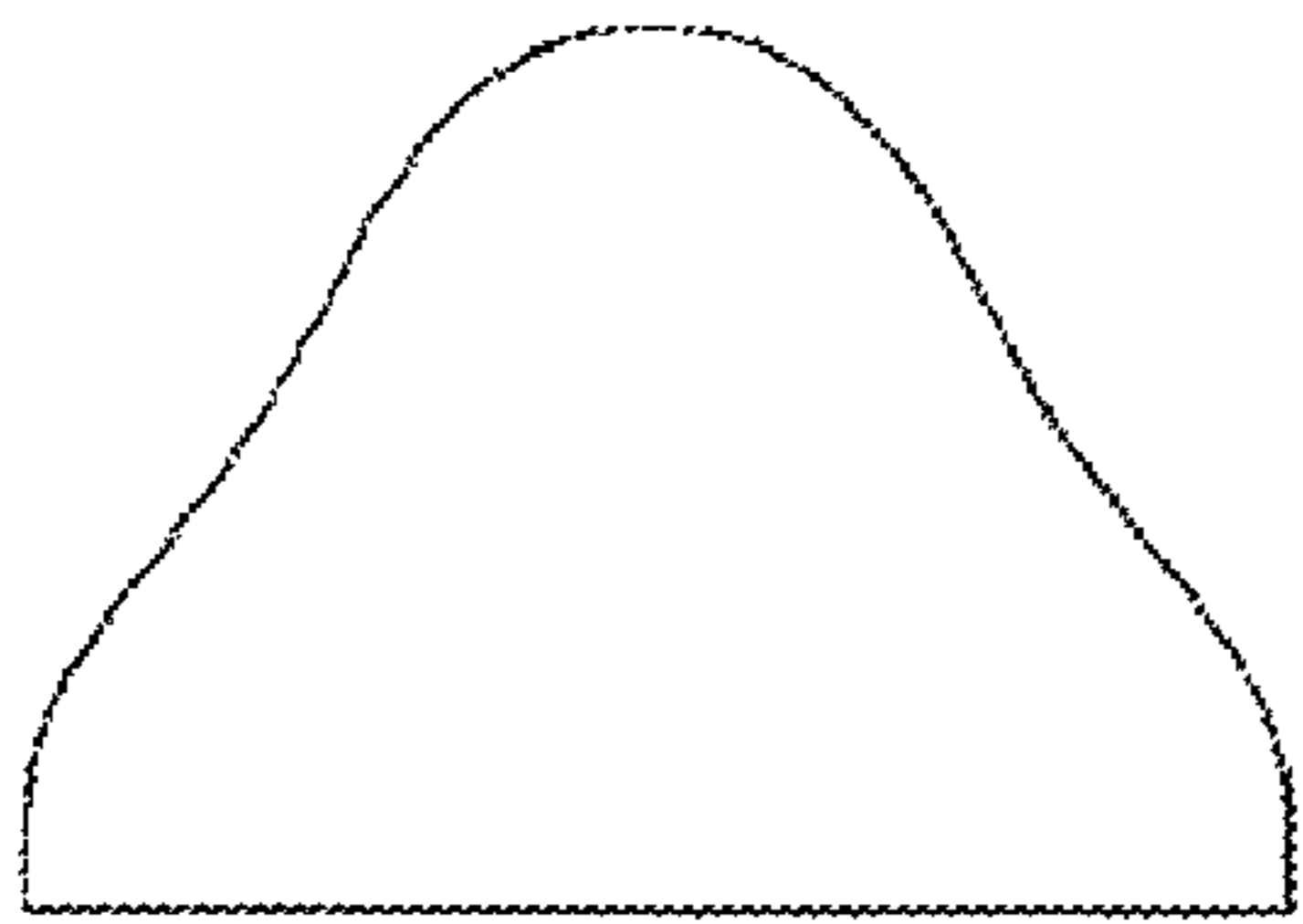


FIG 9

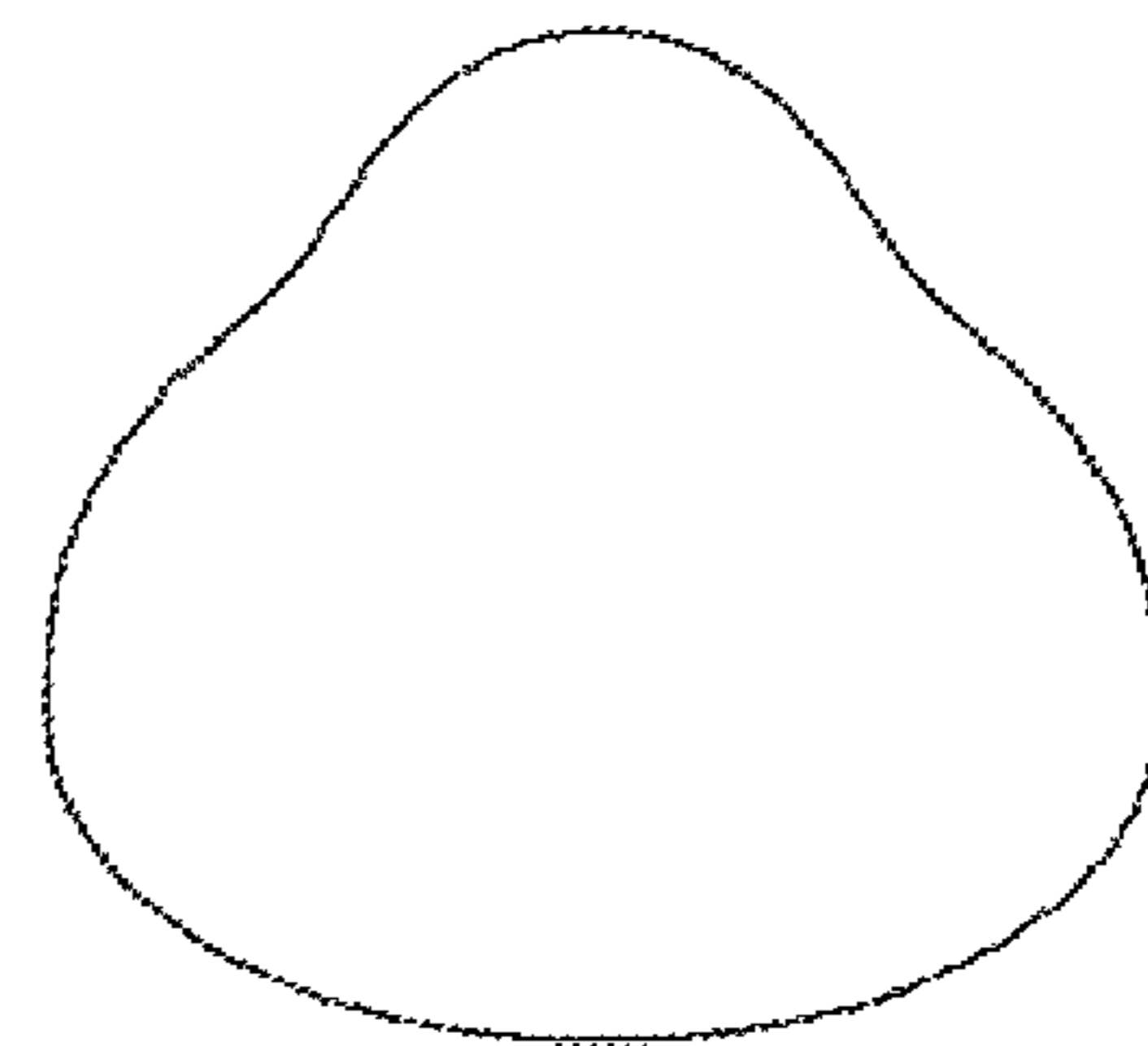


FIG 10

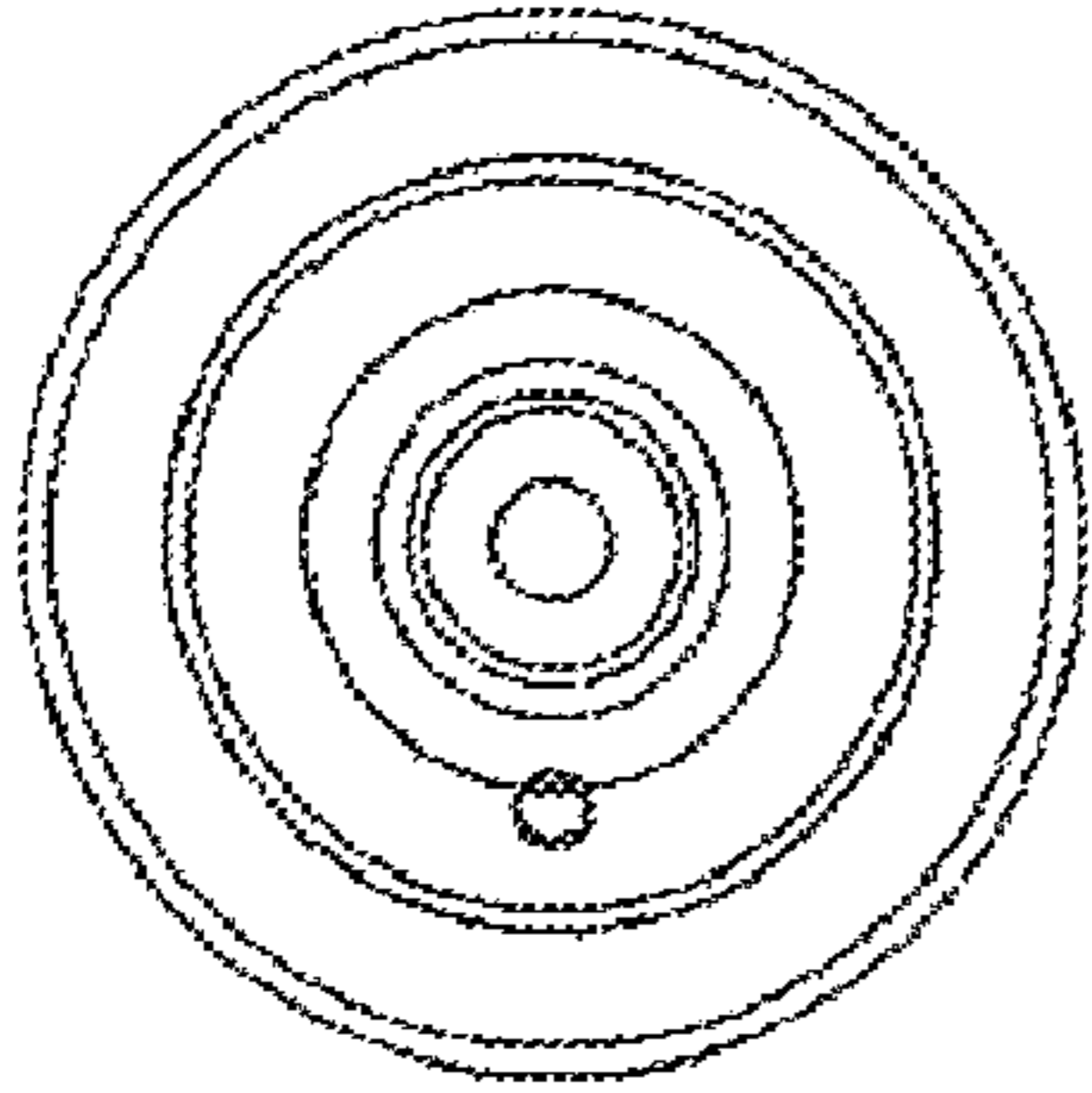


FIG 11

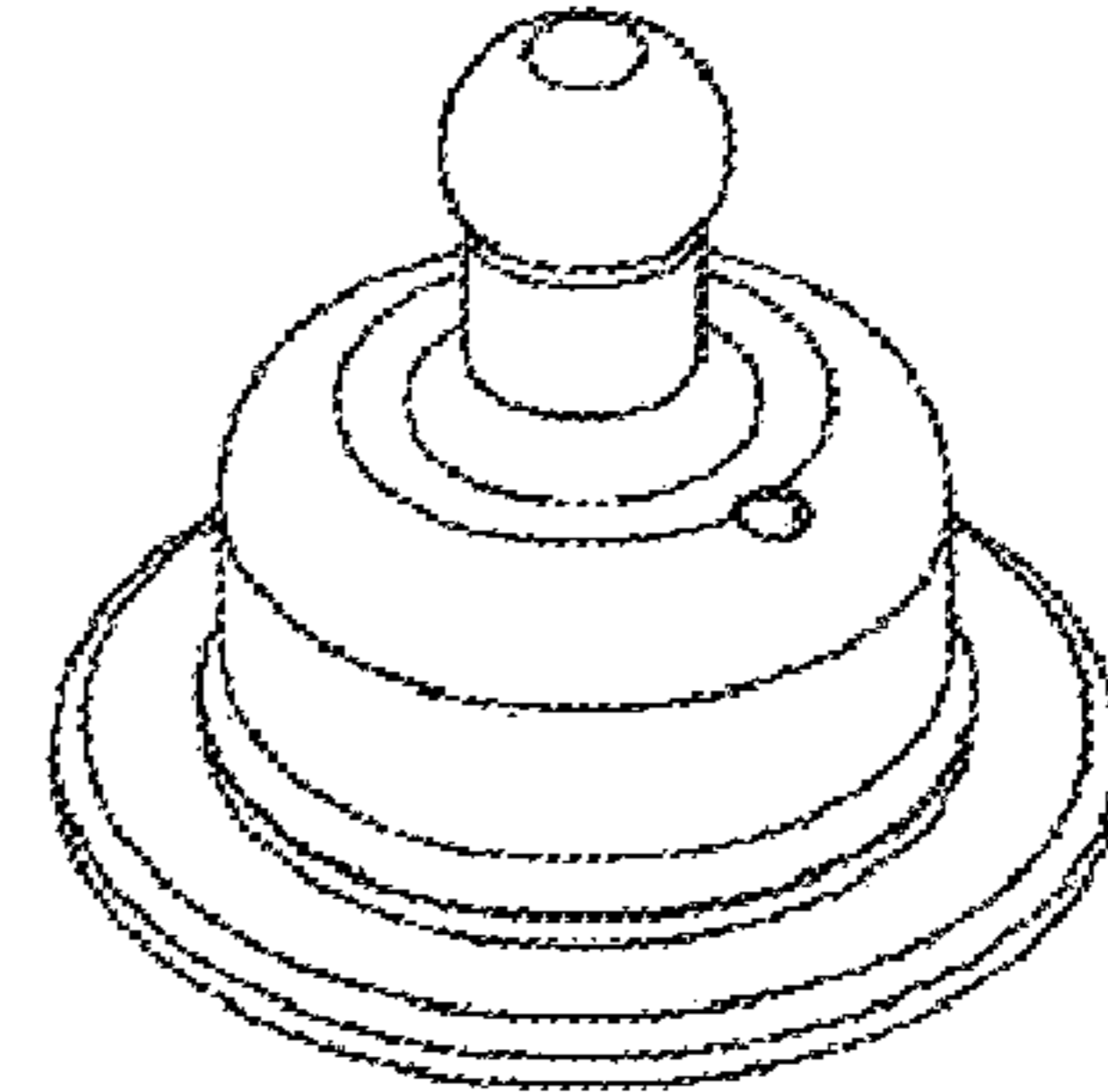


FIG 12

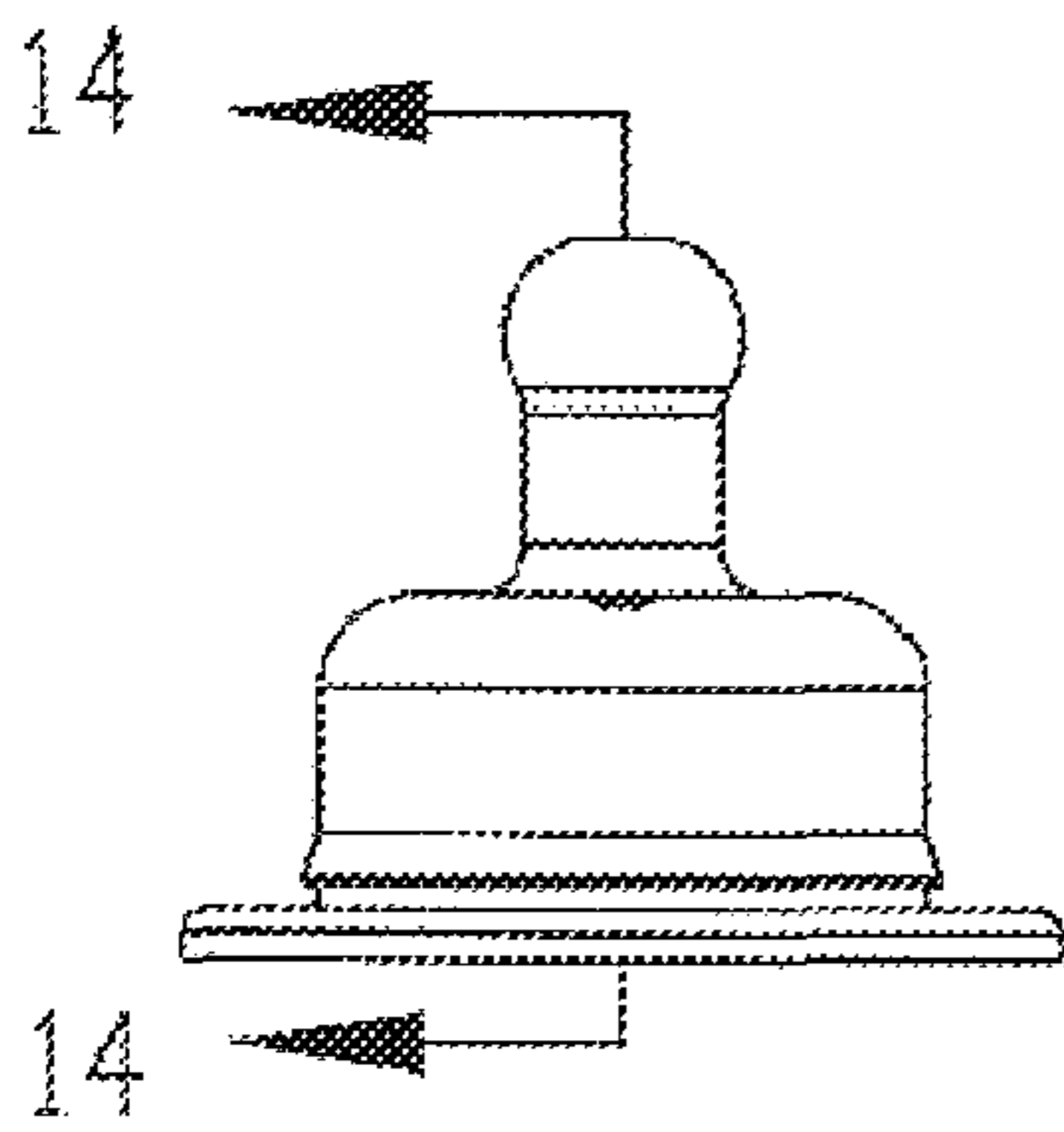


FIG 13

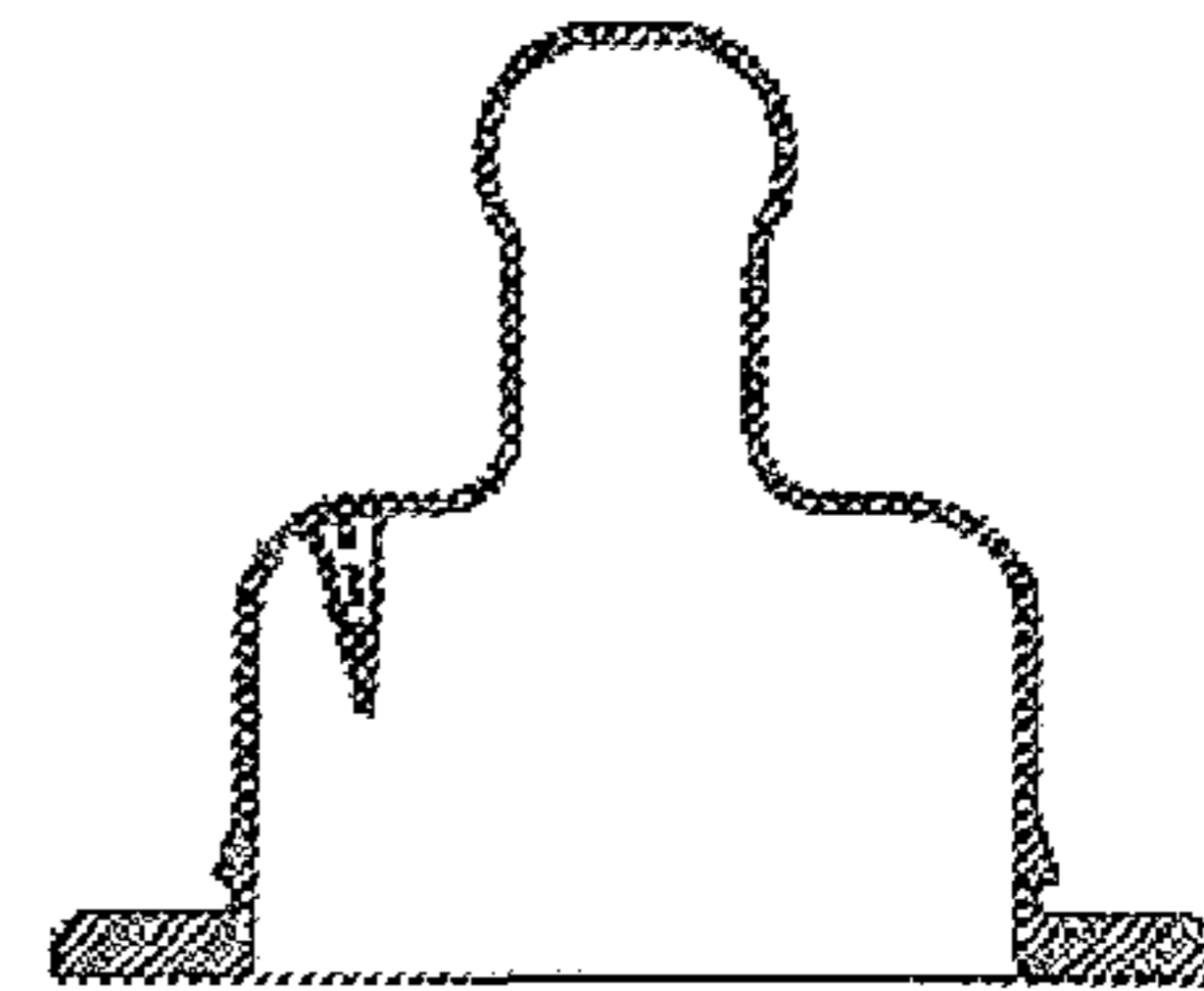


FIG 14

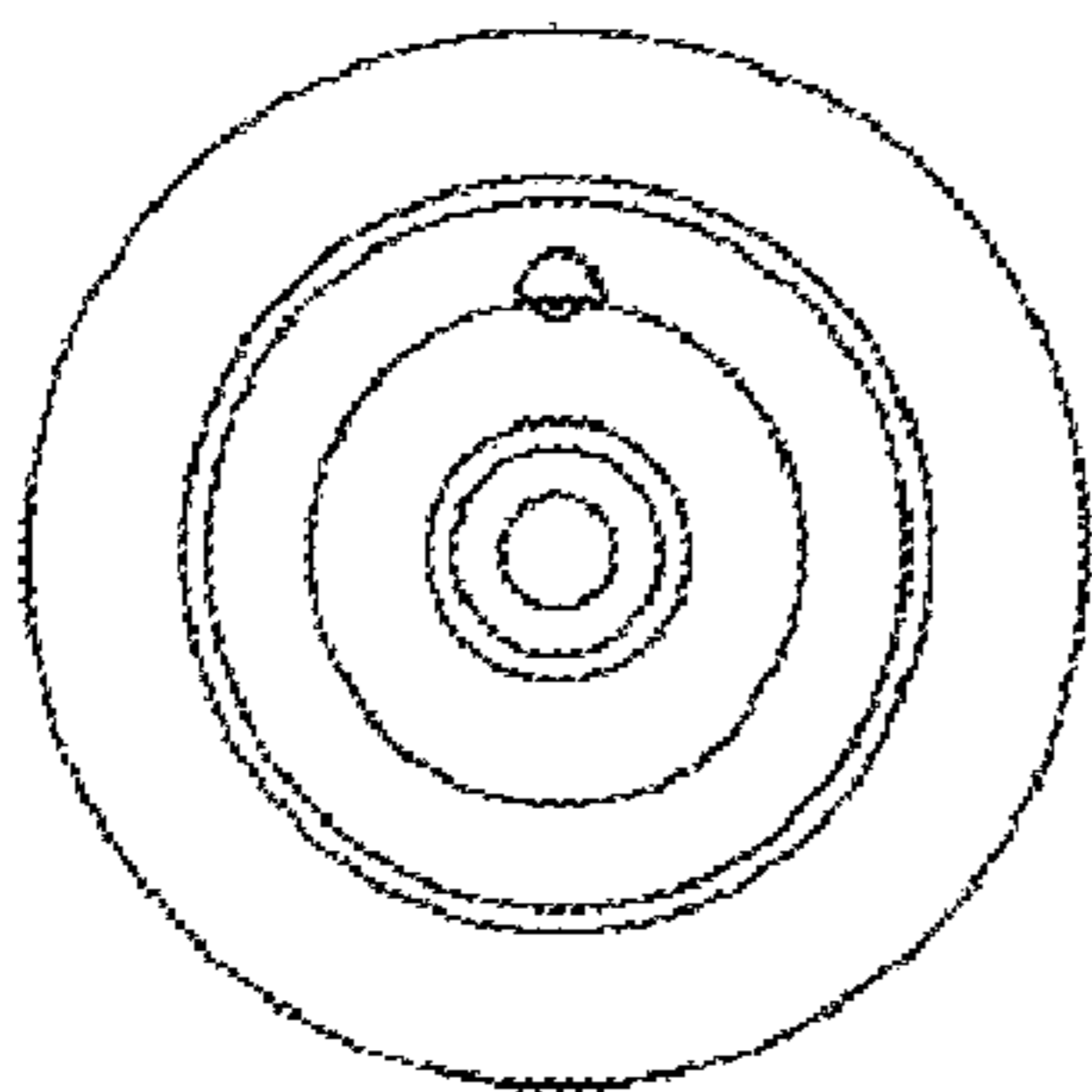


FIG 15