



US00D677793S

(12) **United States Design Patent**
Prpa

(10) **Patent No.:** **US D677,793 S**
(45) **Date of Patent:** **** Mar. 12, 2013**

- (54) **TABLE TOP IMPLANT TRACKING DEVICE**
- (76) Inventor: **Branko Prpa**, Racine, WI (US)
- (**) Term: **14 Years**
- (21) Appl. No.: **29/398,333**
- (22) Filed: **Jul. 29, 2011**
- (51) **LOC (9) Cl.** **24-02**
- (52) **U.S. Cl.** **D24/186**
- (58) **Field of Classification Search** D24/127,
D24/133, 186-187, 200, 206-207, 214, 231-232;
600/49, 300, 301, 368, 372, 481, 529, 544,
600/554, 561; 607/4, 5, 9, 30, 48, 60; 128/846,
128/888, 899, 903-904; D10/46-47, 70,
D10/104.1, 57; 206/16
See application file for complete search history.

- 7,611,010 B2 11/2009 Gammons
- D614,980 S 5/2010 Junes
- D614,981 S 5/2010 Junes
- D616,991 S 6/2010 Kitayama
- 7,813,809 B2 10/2010 Strother et al.
- D629,525 S * 12/2010 Ladwig et al. D24/187
- D630,756 S 1/2011 Kitayama
- D642,690 S 8/2011 Altmann et al.
- D658,298 S * 4/2012 Prpa D24/186
- 2005/0203384 A1 9/2005 Sati et al.
- 2006/0256400 A1 11/2006 Carnevali

(Continued)

FOREIGN PATENT DOCUMENTS

WO 2011033540 3/2011

OTHER PUBLICATIONS

International Search Report and Written Opinion for PCT App. No. PCT/US2012/039980 mailed on Aug. 22, 2012.

(Continued)

(56) **References Cited**

U.S. PATENT DOCUMENTS

- D245,513 S * 8/1977 Kopel D10/57
- 5,155,624 A 10/1992 Flagler
- 5,288,986 A 2/1994 Pine et al.
- D346,977 S 5/1994 Fiske
- D356,044 S 3/1995 Clements
- 5,423,334 A 6/1995 Jordan
- 5,554,841 A 9/1996 Kost et al.
- D374,829 S 10/1996 Yue
- 5,631,456 A 5/1997 Kost et al.
- 5,653,938 A 8/1997 Faries et al.
- D403,421 S * 12/1998 Cody et al. D24/186
- 5,879,621 A 3/1999 Faries, Jr. et al.
- D410,399 S 6/1999 De Torfino
- D418,226 S * 12/1999 Cody et al. D24/187
- 6,026,328 A 2/2000 Peckham et al.
- 6,026,331 A 2/2000 Feldberg et al.
- 6,032,195 A 2/2000 Reber et al.
- D459,245 S 6/2002 Power
- D459,246 S 6/2002 Power et al.
- D497,559 S 10/2004 Johnson
- D512,656 S 12/2005 Yeung
- D513,706 S 1/2006 Johnson
- D583,261 S 12/2008 Johnson et al.
- D596,299 S 7/2009 Han et al.

Primary Examiner — T. Chase Nelson
Assistant Examiner — Mark Cavanna
(74) *Attorney, Agent, or Firm* — Whyte Hirschboeck Dudek S.C.; James A. Joyce

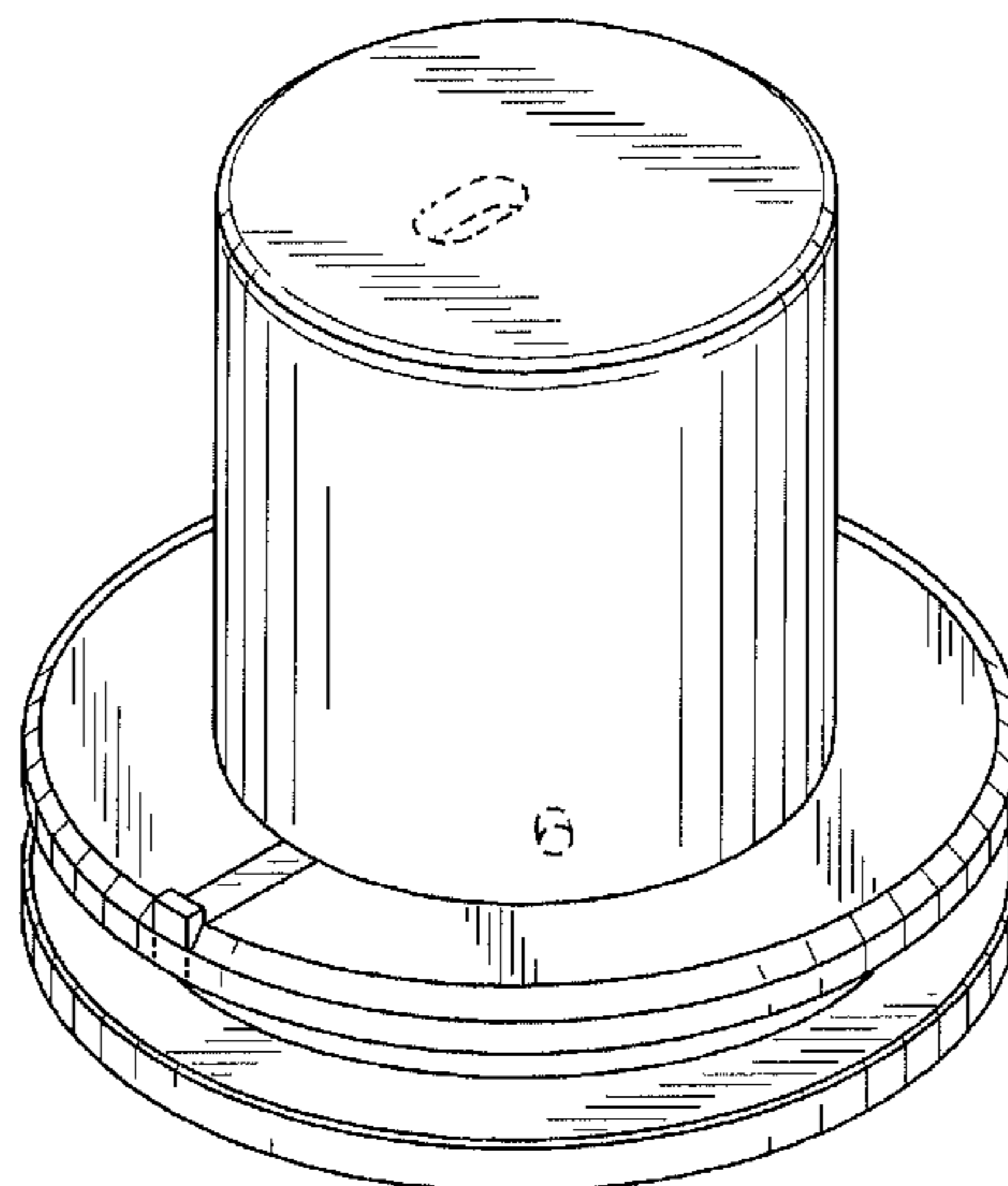
(57) **CLAIM**

An ornamental design for a table top implant tracking device, as shown and described.

DESCRIPTION

FIG. 1 is a perspective view of a table top implant tracking device showing my new design; FIG. 2 is a front elevation view thereof; FIG. 3 is a top plan view thereof; FIG. 4 is a left elevation view thereof; FIG. 5 is a right elevation view thereof; and, FIG. 6 is a bottom plan view thereof. The broken lines are included for the purpose of illustrating portions of the table top implant tracking device that form no part of the claimed design.

1 Claim, 3 Drawing Sheets



U.S. PATENT DOCUMENTS

2006/0291533 A1 12/2006 Faries et al.
2008/0015590 A1 1/2008 Sanders et al.
2009/0247999 A1 10/2009 Tuan et al.
2009/0317002 A1 12/2009 Dein
2010/0076306 A1 3/2010 Daigneault et al.
2011/0023343 A1 2/2011 Turner et al.
2011/0060386 A1 3/2011 Woods et al.
2011/0114514 A1 5/2011 Bagozzi et al.

OTHER PUBLICATIONS

Application Brief, Symbol DS6707-DP: Improve patient safety and workforce productivity through real-time accurate inventory counts in the operating room and beyond; motorola.com; Jan. 1, 2008.
Cognex, "Dataman logistics barcode readers", www.cognex.com/dataman500/. Jan. 1, 2012.

* cited by examiner

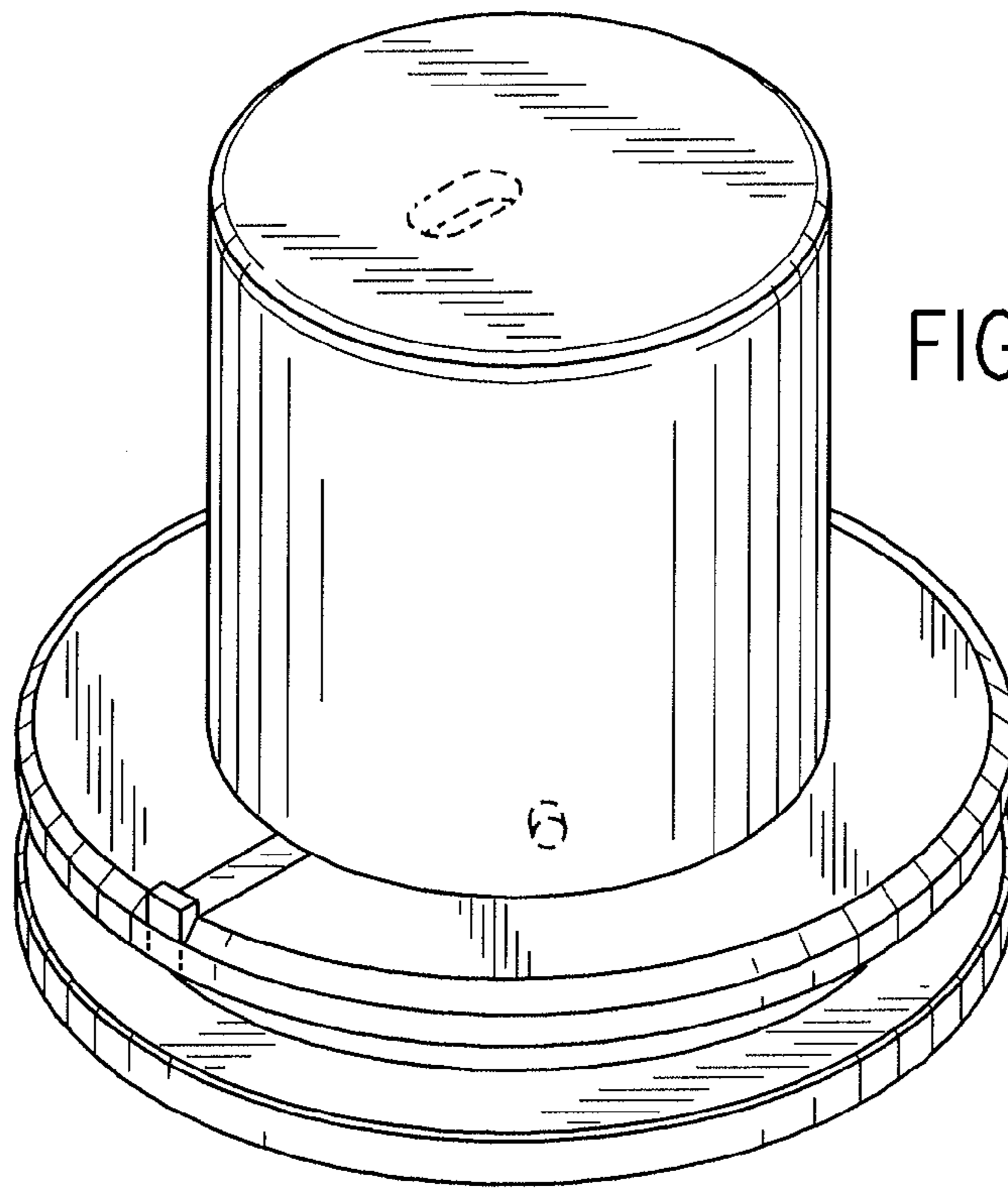
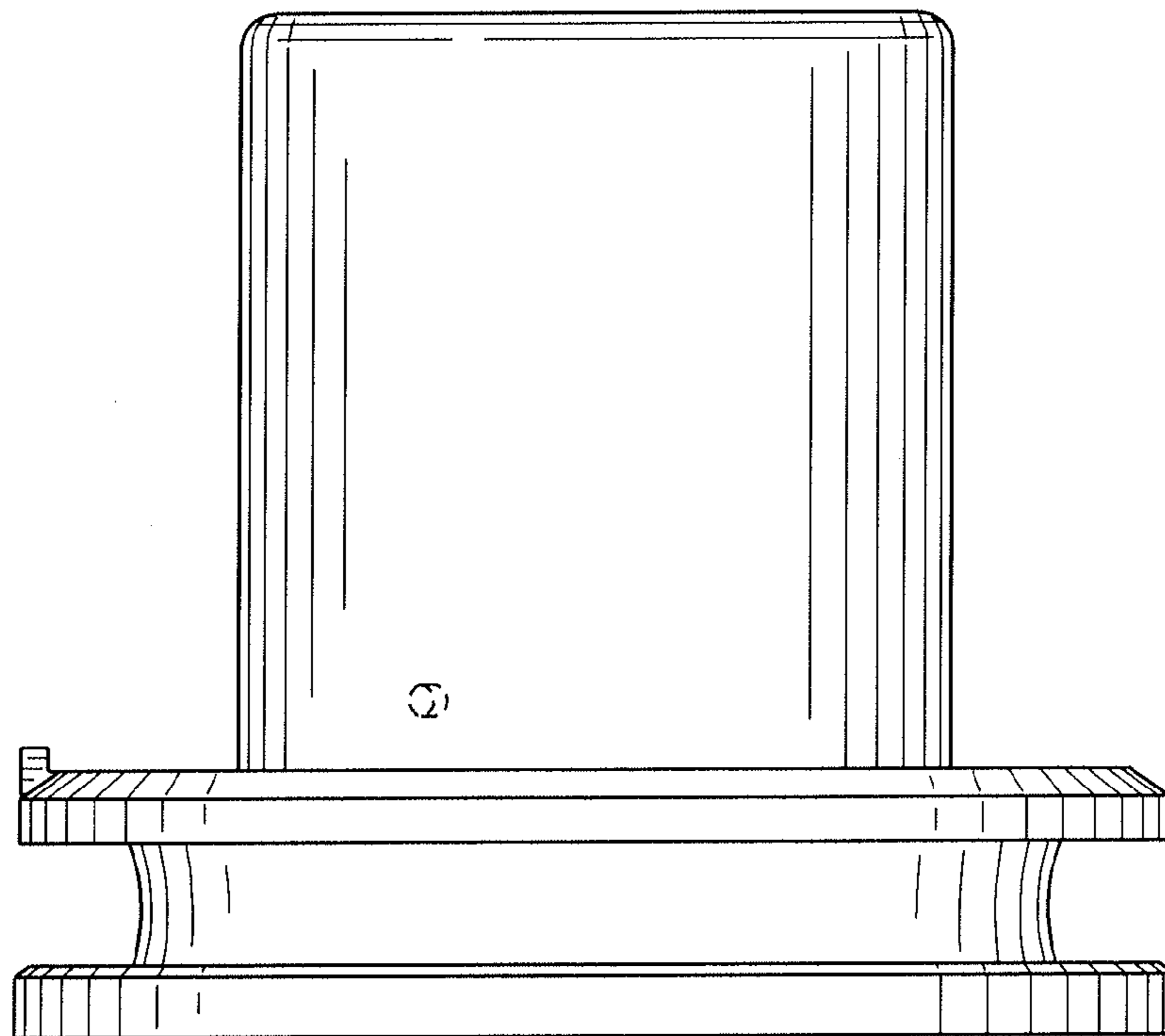


FIG. 2



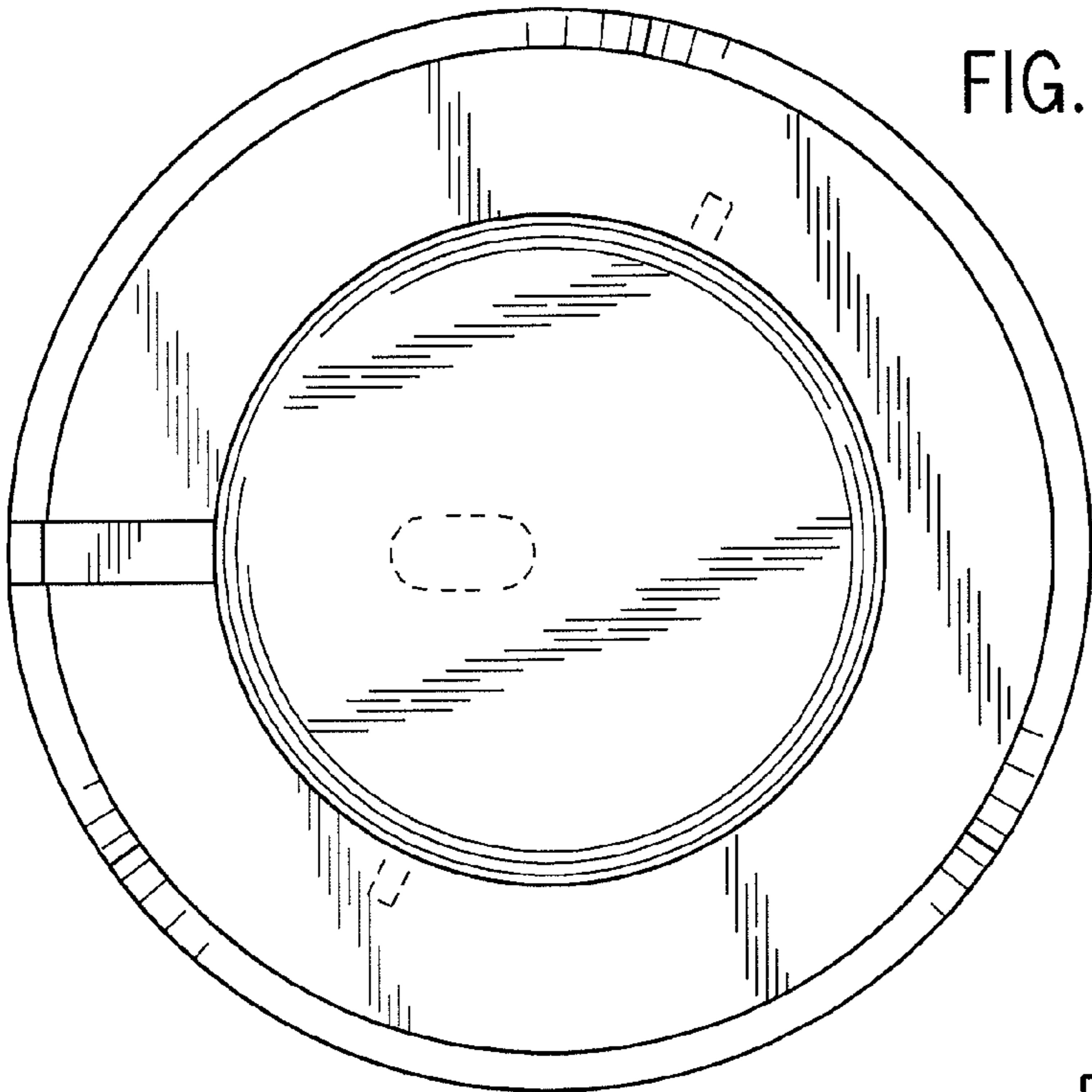


FIG. 3

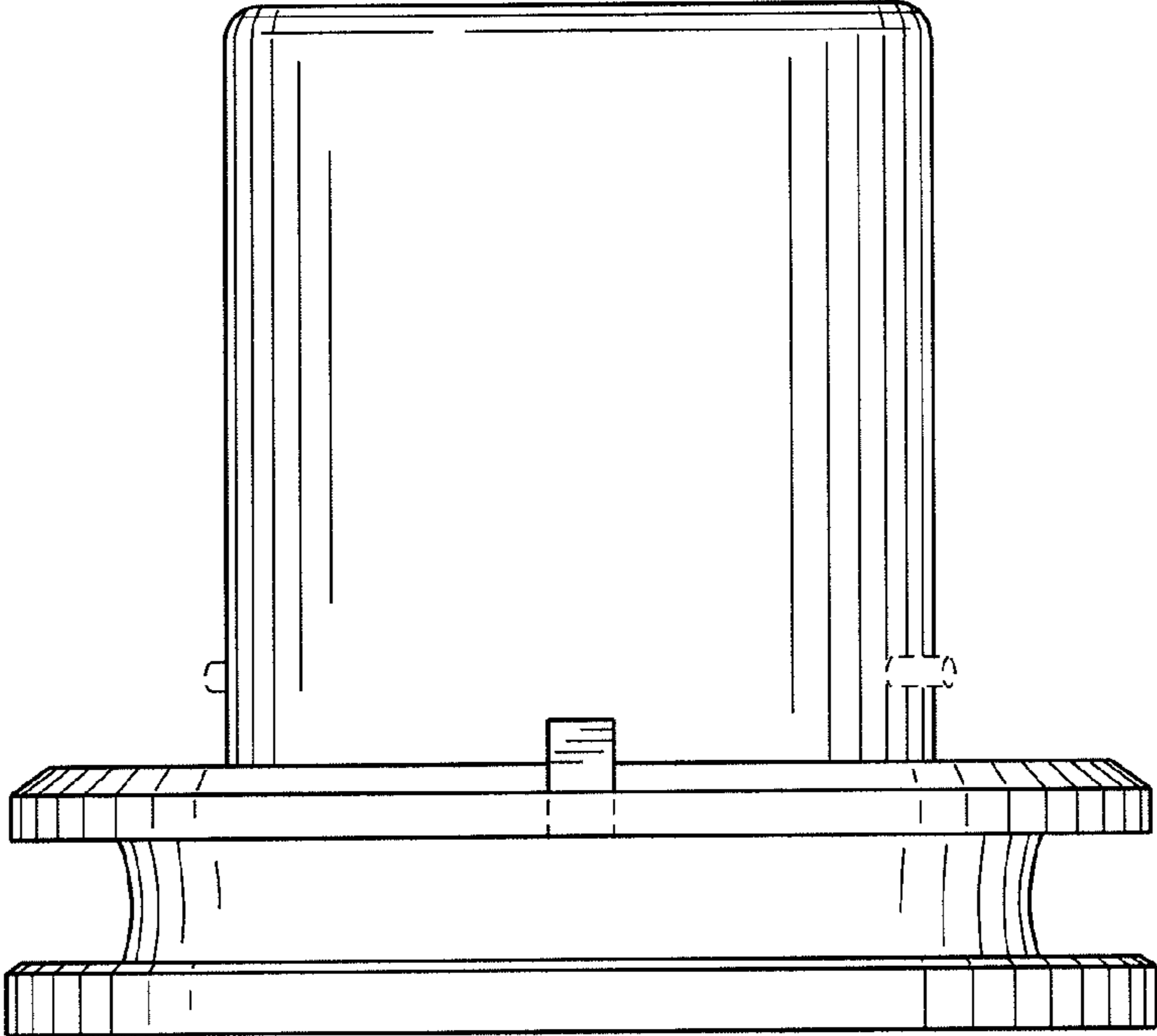


FIG. 4

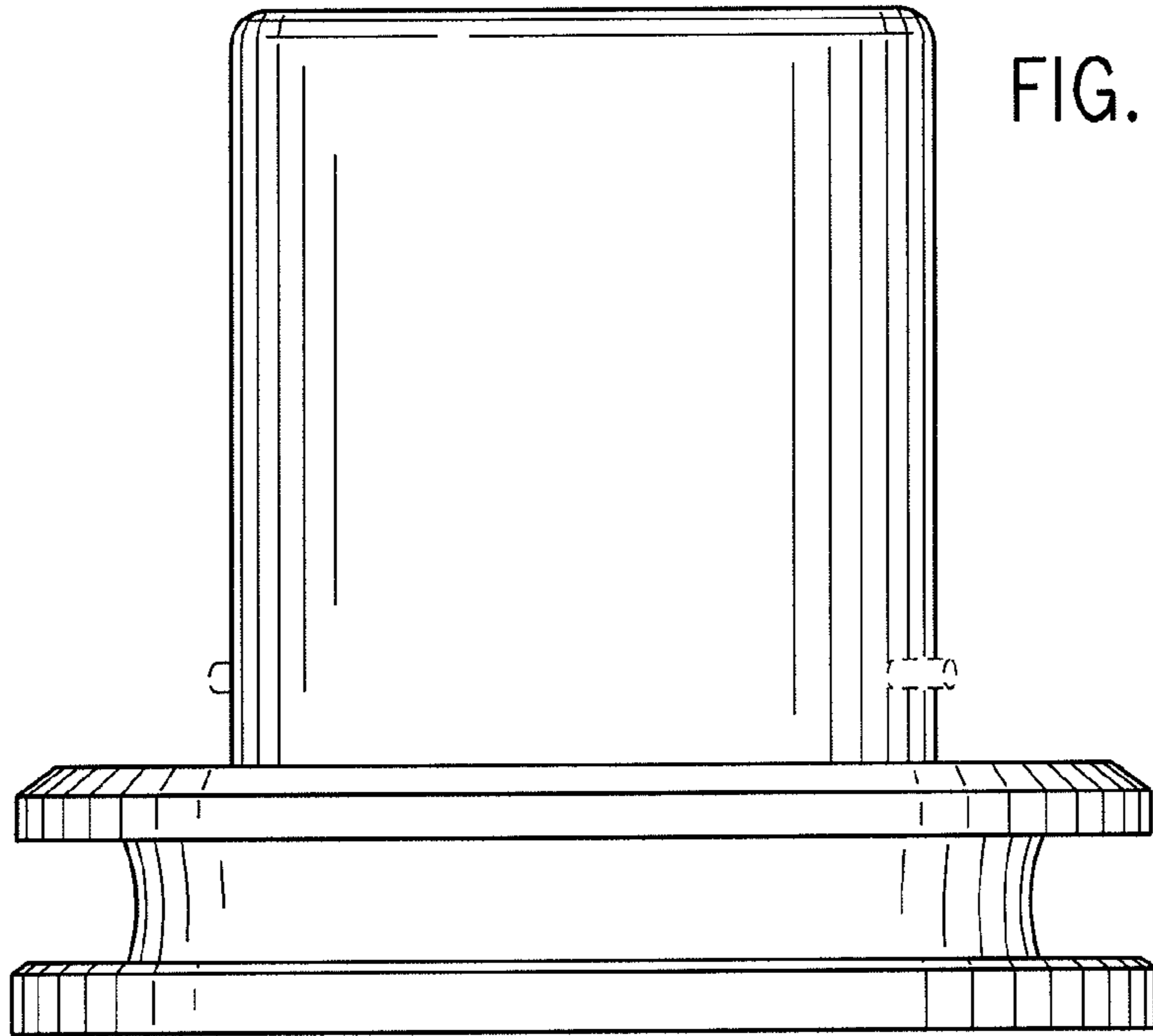


FIG. 5

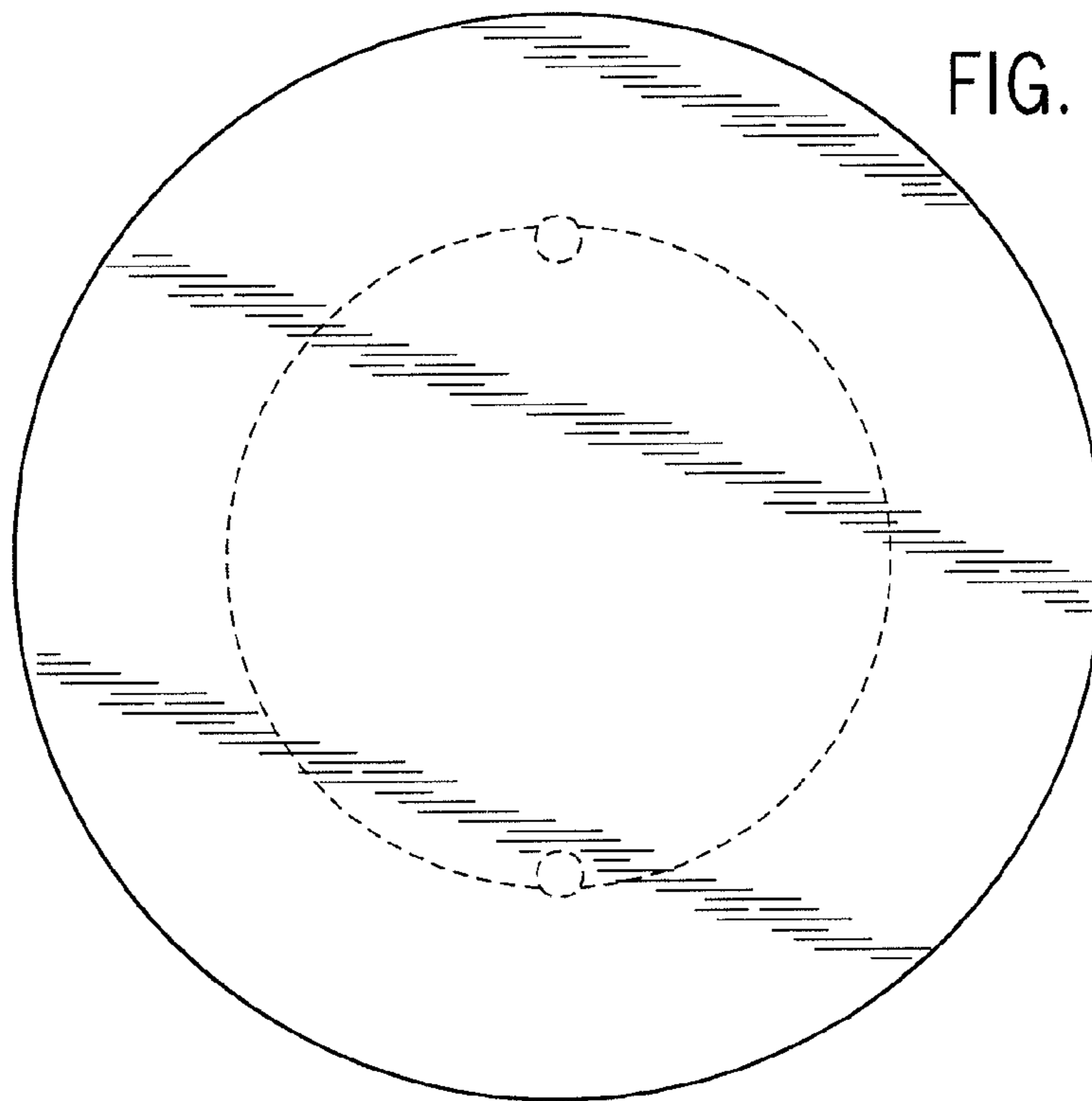


FIG. 6