



US00D677792S

(12) **United States Design Patent**
Vandiver

(10) **Patent No.:** **US D677,792 S**
(45) **Date of Patent:** **** Mar. 12, 2013**

(54) **HOUSING FOR A HEART MONITOR**

(75) Inventor: **Jesse Vandiver**, Oxnard, CA (US)

(73) Assignee: **Scosche Industries, Inc.**, Oxnard, CA (US)

(**) Term: **14 Years**

(21) Appl. No.: **29/419,626**

(22) Filed: **Apr. 30, 2012**

(51) **LOC (9) Cl.** **24-01**

(52) **U.S. Cl.** **D24/167**

(58) **Field of Classification Search** D24/165-168,
D24/107, 186, 187; D10/31, 32, 38, 46,
D10/78, 98; 600/301, 382, 384, 481, 483,
600/485, 500-504, 508, 509, 587

See application file for complete search history.

(56) **References Cited**

U.S. PATENT DOCUMENTS

D341,659 S	*	11/1993	Homayoun et al.	D24/167
D342,571 S	*	12/1993	Givens, Sr.	D24/186
D356,151 S	*	3/1995	Ishii et al.	D24/165
D356,267 S	*	3/1995	Courteault	D10/38
D362,070 S	*	9/1995	Willis	D24/186
D434,334 S	*	11/2000	Wunderman	D10/30
D458,852 S	*	6/2002	Blauner et al.	D10/32

D534,821 S	*	1/2007	Chen	D10/32
D535,205 S	*	1/2007	Frederick et al.	D10/32
D565,182 S	*	3/2008	Cheng et al.	D24/167
D571,249 S	*	6/2008	Frederick et al.	D11/4
D619,256 S	*	7/2010	Brady et al.	D24/167
D639,955 S	*	6/2011	Riobo Aboy et al.	D24/165

* cited by examiner

Primary Examiner — Anhdao Doan

(74) *Attorney, Agent, or Firm* — Arent Fox LLP

(57) **CLAIM**

The ornamental design for a housing for a heart monitor, as shown and described.

DESCRIPTION

FIG. 1 is a front perspective view of a housing for a heart monitor showing my new design;

FIG. 2 is a rear perspective view thereof;

FIG. 3 is a front view thereof;

FIG. 4 is a side view thereof;

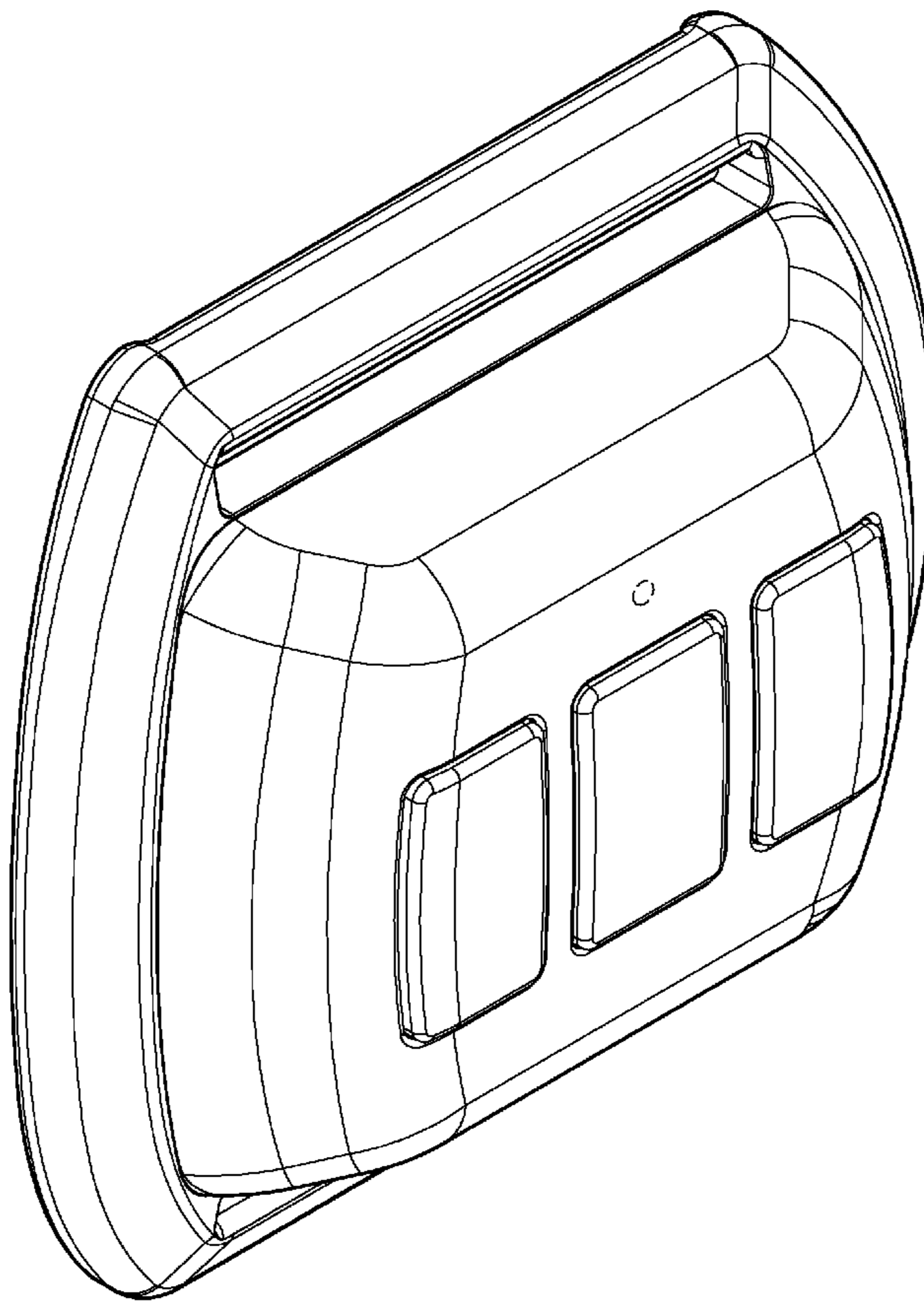
FIG. 5 is a top view thereof;

FIG. 6 is a bottom view thereof; and,

FIG. 7 is rear view thereof.

The broken lines in the drawing views are included for the purpose of illustrating portions of the housing for a heart monitor that form no part of the claimed design.

1 Claim, 6 Drawing Sheets



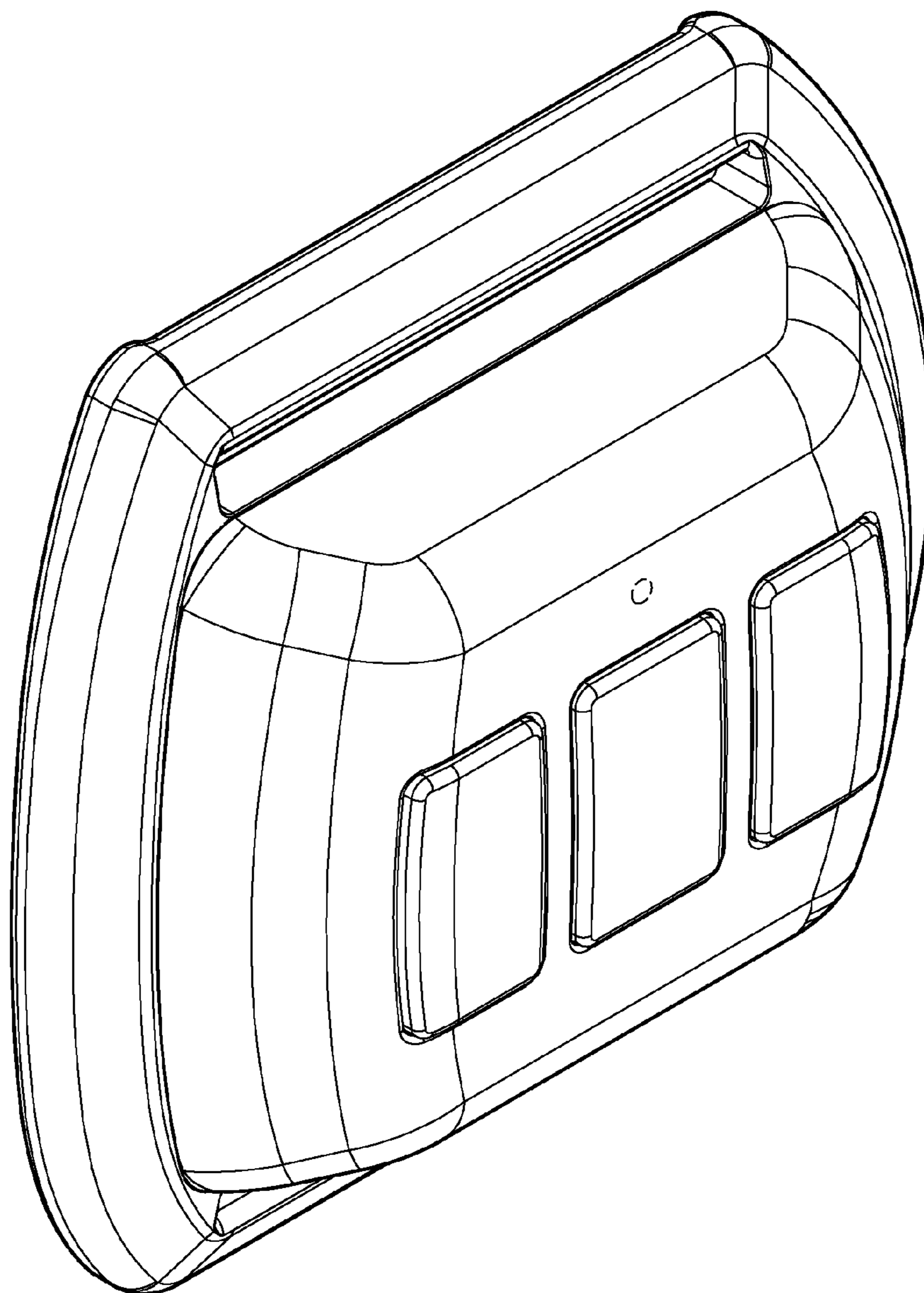


FIG. 1

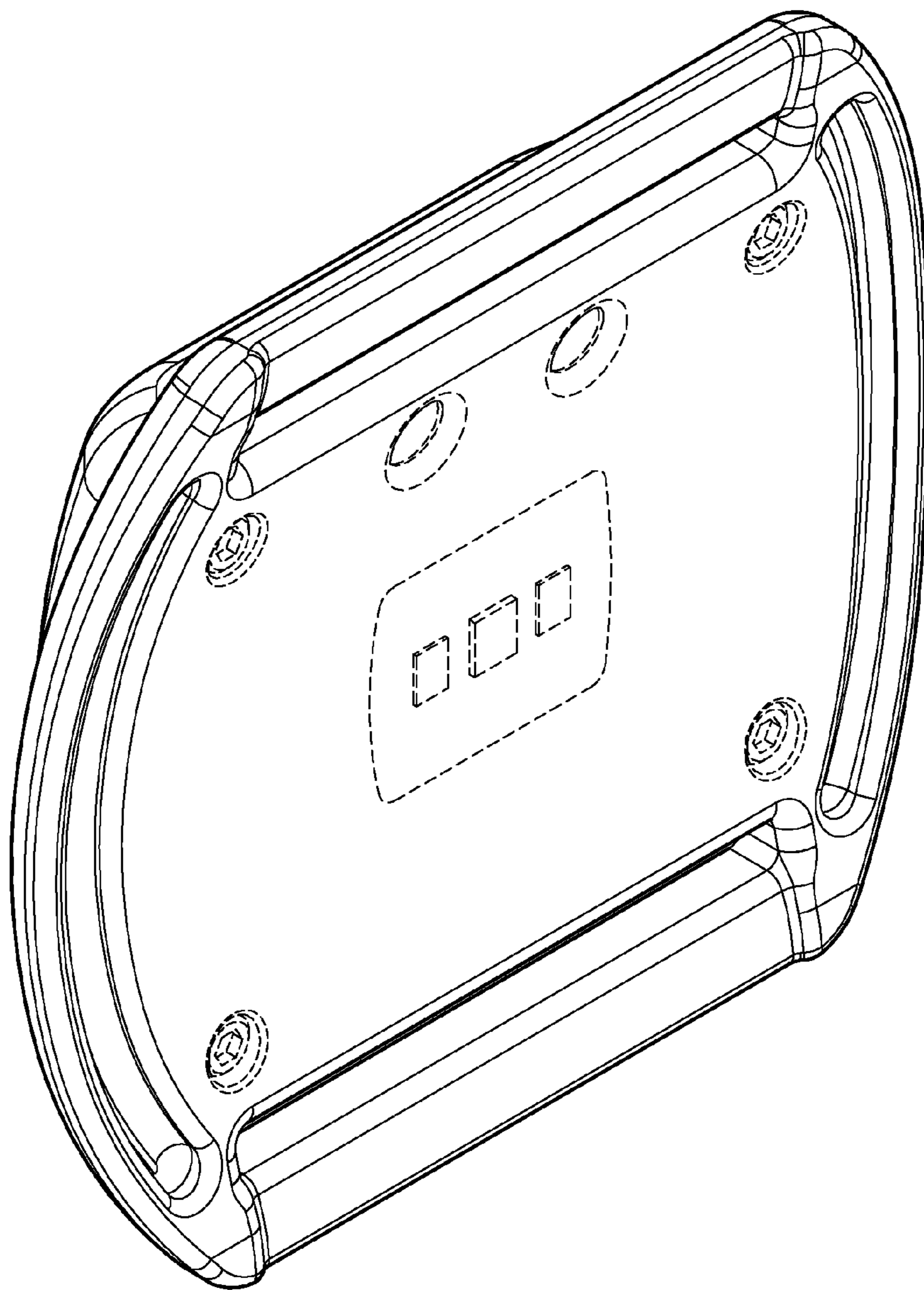


FIG. 2

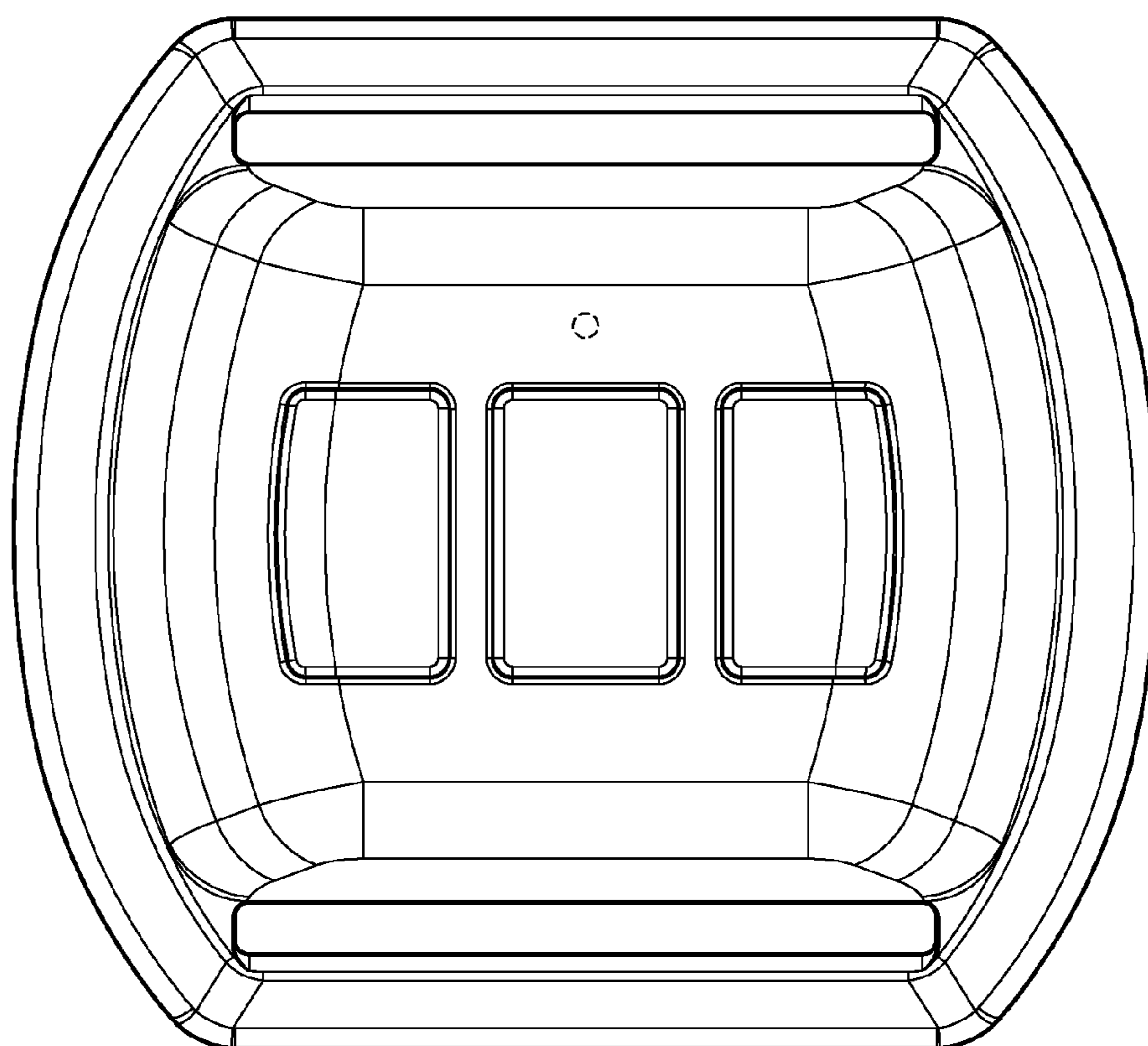


FIG. 3

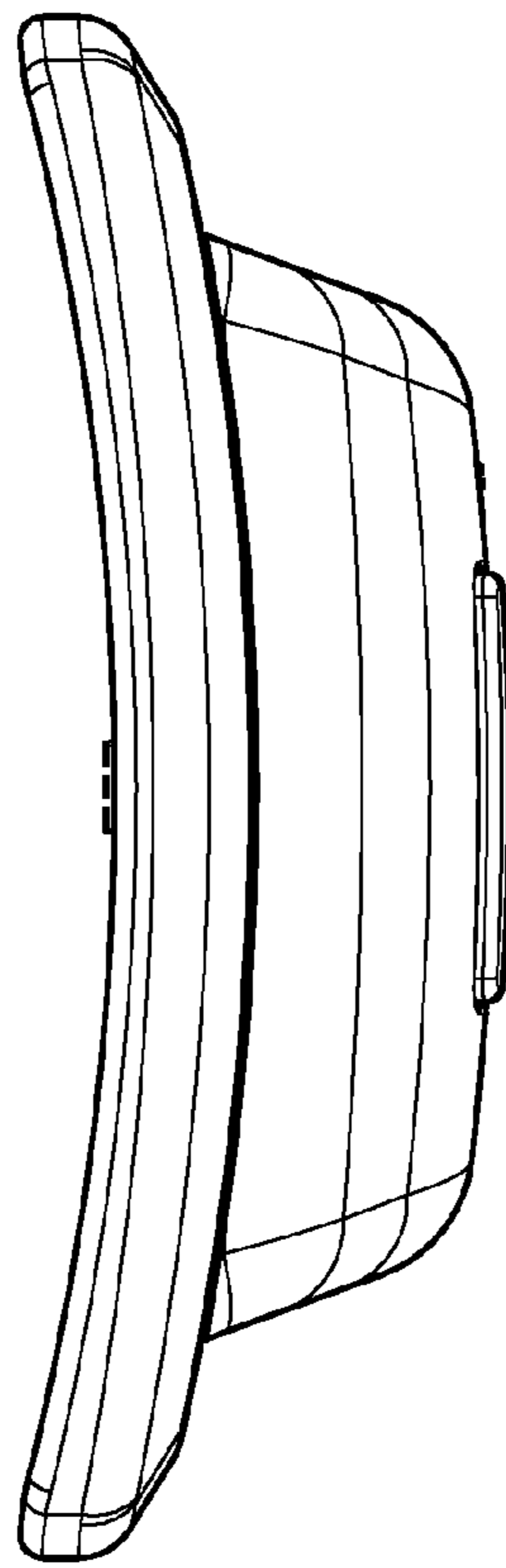


FIG. 4

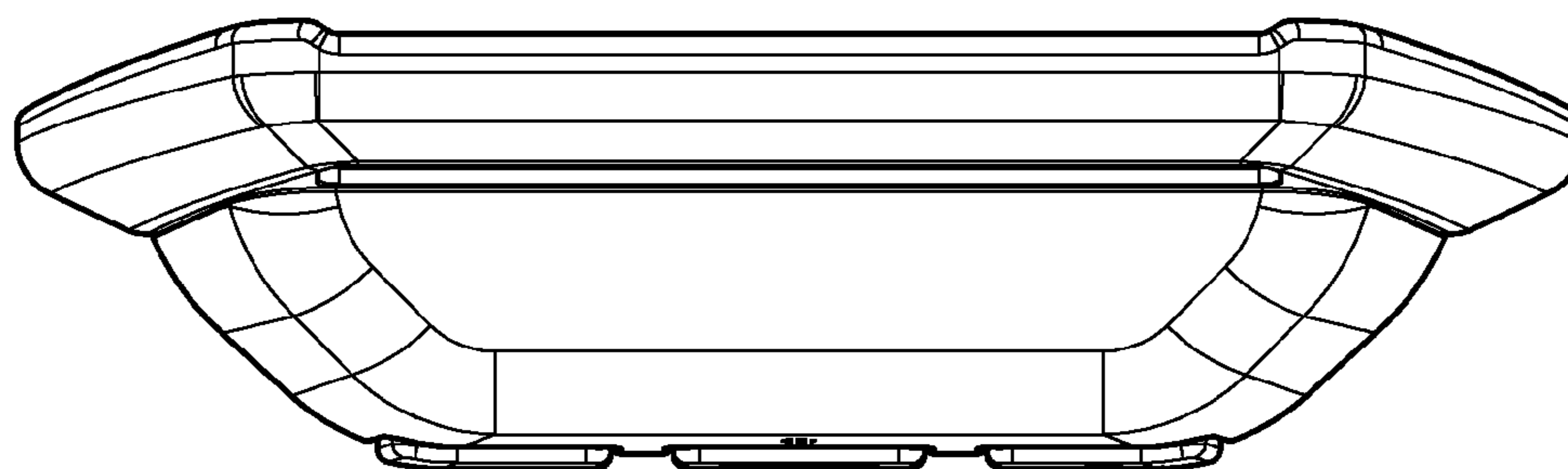


FIG. 5

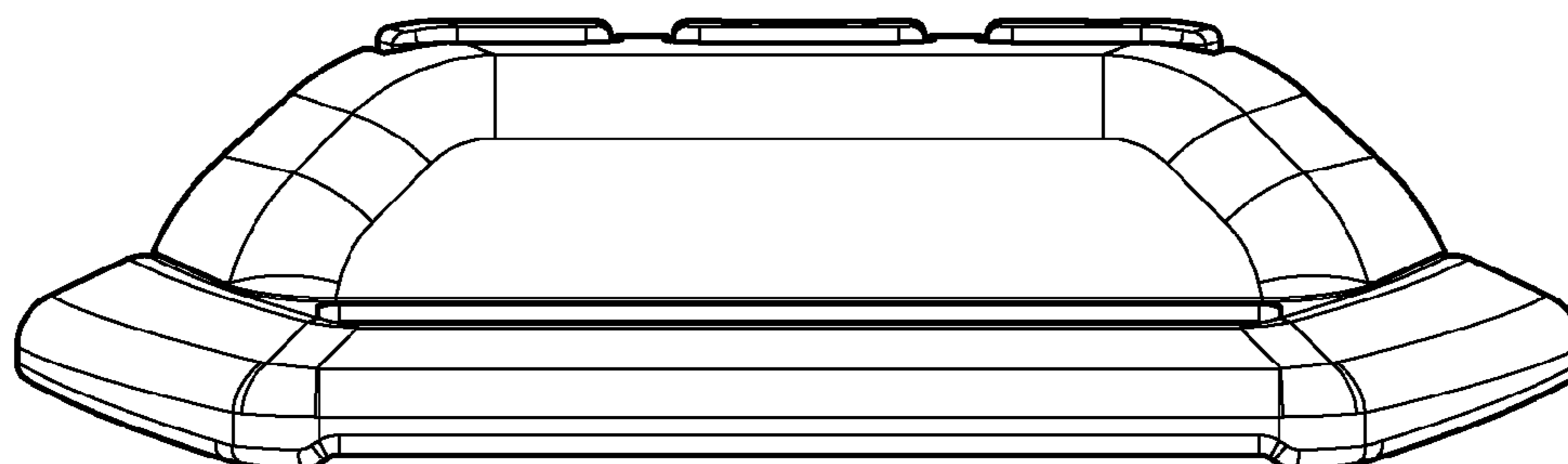


FIG. 6

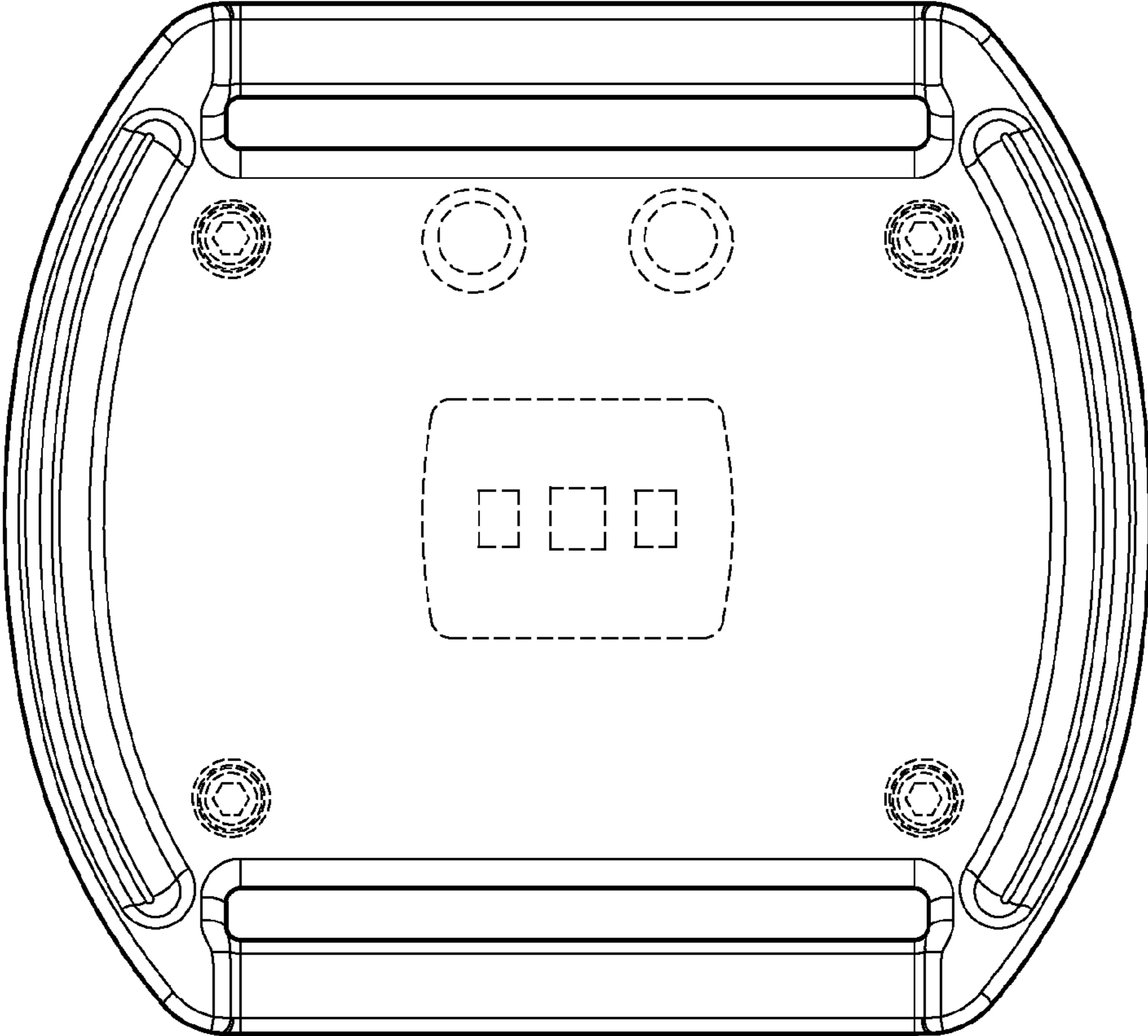


FIG. 7