



US00D677791S

(12) **United States Design Patent**
Danacioglu et al.

(10) **Patent No.:** **US D677,791 S**
(45) **Date of Patent:** **** Mar. 12, 2013**

- (54) **INTERVERTEBRAL IMPLANT**
 - (75) Inventors: **Fatih U. Danacioglu**, Ridgewood, NJ
(US); **Jason P. Bulaclac**, Sparta, NJ
(US)
 - (73) Assignee: **Zimmer Spine, Inc.**, Minneapolis, MN
(US)
 - (**) Term: **14 Years**
 - (21) Appl. No.: **29/412,515**
 - (22) Filed: **Feb. 3, 2012**
 - (51) **LOC (9) Cl.** **24-02**
 - (52) **U.S. Cl.** **D24/155**
 - (58) **Field of Classification Search** D24/155,
D24/156, 133, 152, 154, 135, 144-146, 151;
606/194, 198; 623/23.54, 23.7, 1.15, 903;
604/1.02, 103.02
- See application file for complete search history.

- D629,108 S * 12/2010 Richter et al. D24/155
- 7,901,458 B2 3/2011 DeRidder et al.
- 7,938,857 B2 5/2011 Garcia-Bengochea et al.
- D650,481 S * 12/2011 Gottlieb et al. D24/155
- 2008/0288076 A1 11/2008 Soo et al.
- 2009/0248163 A1 10/2009 King et al.
- 2011/0295372 A1 12/2011 Peterman et al.

FOREIGN PATENT DOCUMENTS

EP 1905391 B1 1/2010

* cited by examiner

Primary Examiner — Ian Simmons

Assistant Examiner — Charles Hanson

(74) *Attorney, Agent, or Firm* — Seager Tufte & Wickhem
LLC

(57) **CLAIM**

The ornamental design for an intervertebral implant, as shown and described.

DESCRIPTION

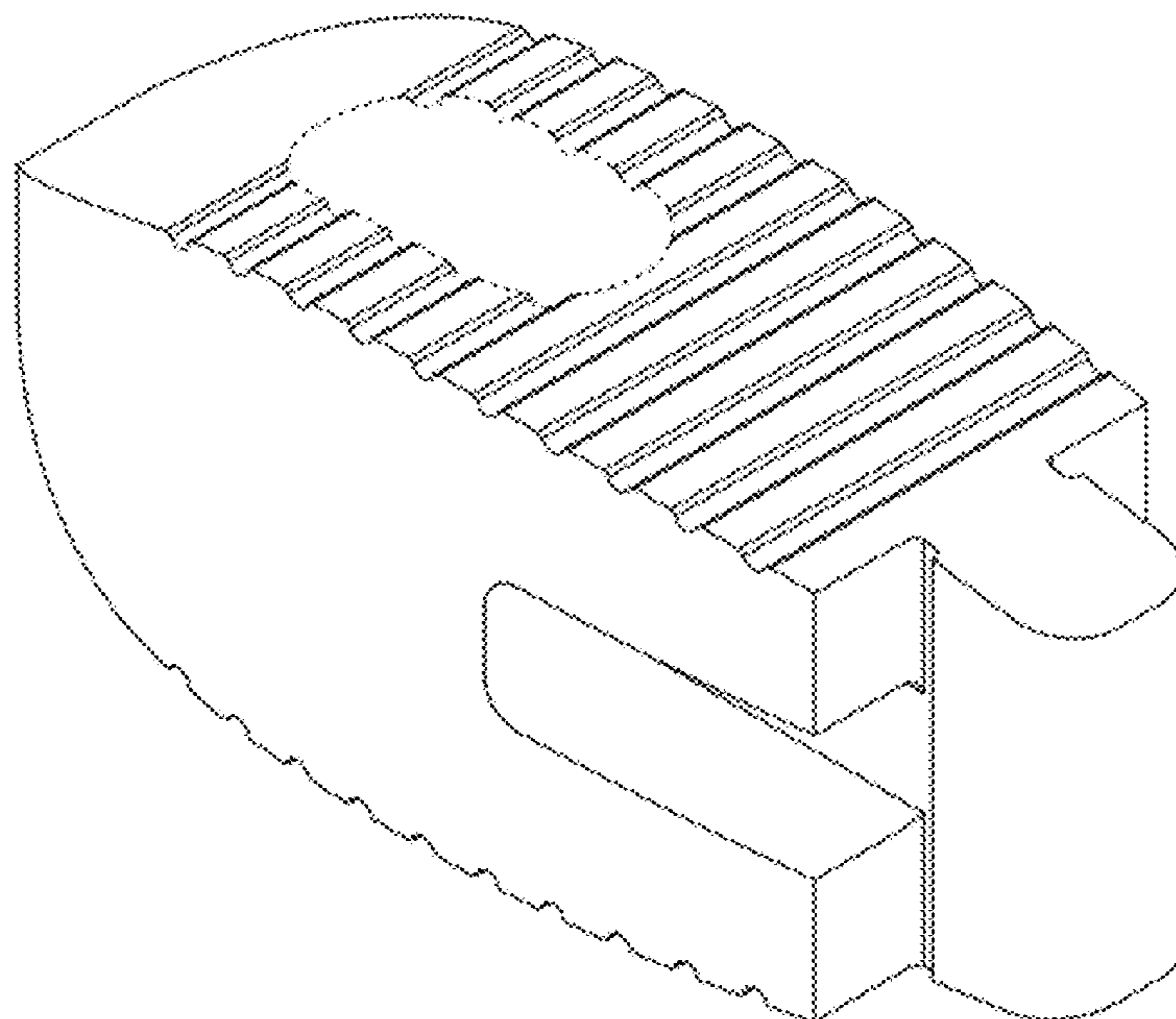
FIG. 1 is a perspective view of the intervertebral implant of the present invention showing the top, rear and left side; FIG. 2 is a perspective view of the intervertebral implant showing the bottom, front and right side; FIG. 3 is a top view of the intervertebral implant; FIG. 4 is a bottom view of the intervertebral implant; FIG. 5 is a left side view of the intervertebral implant; FIG. 6 is a right side view of the intervertebral implant; FIG. 7 is a rear view of the intervertebral implant; and, FIG. 8 is a front view of the intervertebral implant. Those portions shown in broken lines are for illustrative purposes only and form no part of the claimed design.

1 Claim, 8 Drawing Sheets

(56) **References Cited**

U.S. PATENT DOCUMENTS

- 5,443,514 A 8/1995 Steffee
- 5,782,830 A 7/1998 Farris et al.
- 6,319,257 B1 11/2001 Carignan et al.
- 6,610,065 B1 8/2003 Branch et al.
- D533,277 S * 12/2006 Blain D24/155
- D553,744 S * 10/2007 Park D24/155
- D616,546 S * 5/2010 Vraney et al. D24/155
- D620,110 S * 7/2010 Courtney et al. D24/155
- D620,113 S * 7/2010 Courtney et al. D24/155
- D620,114 S * 7/2010 Pannu D24/155
- D627,467 S * 11/2010 Pannu D24/155
- D627,468 S * 11/2010 Richter et al. D24/155



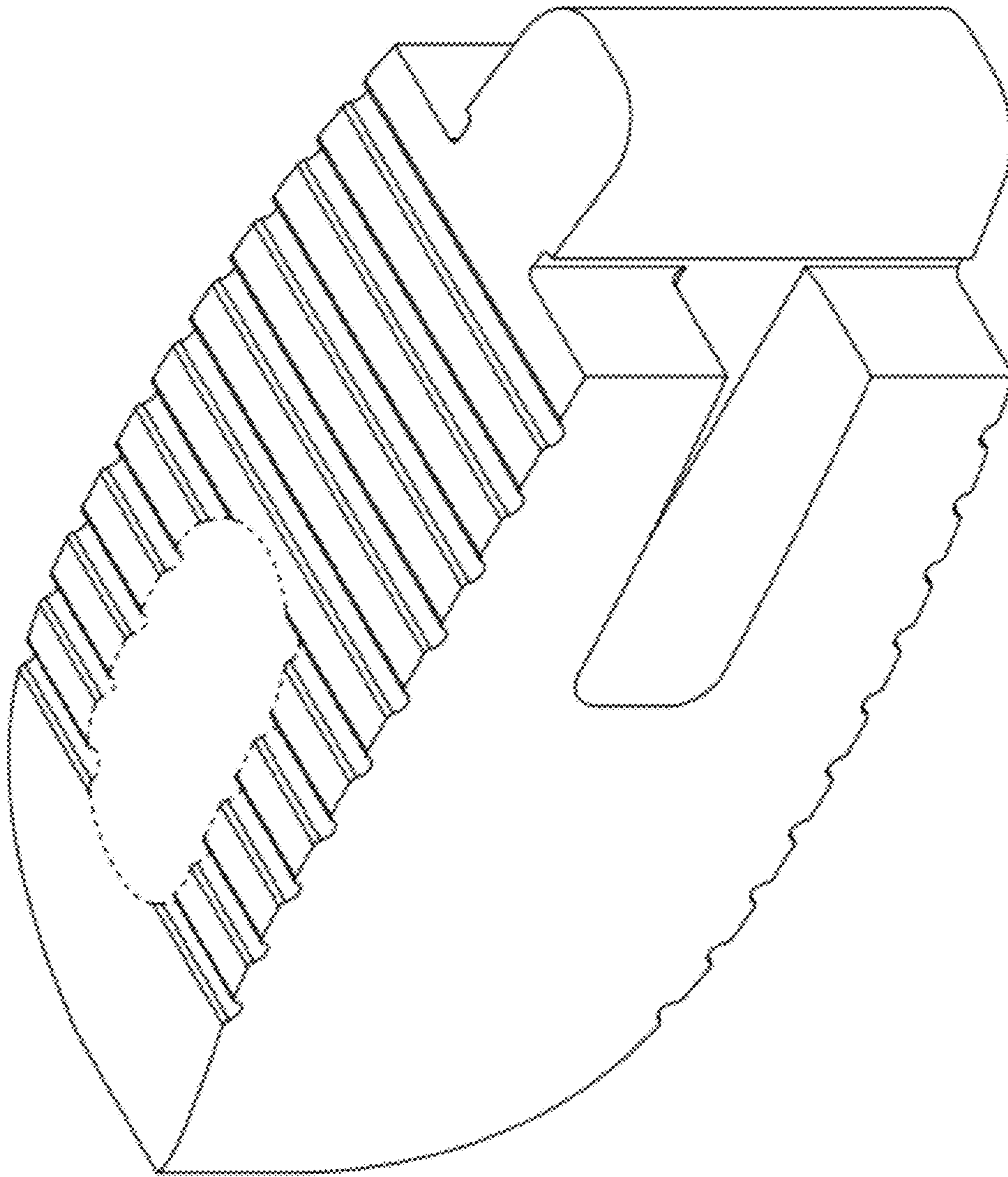


Figure 1

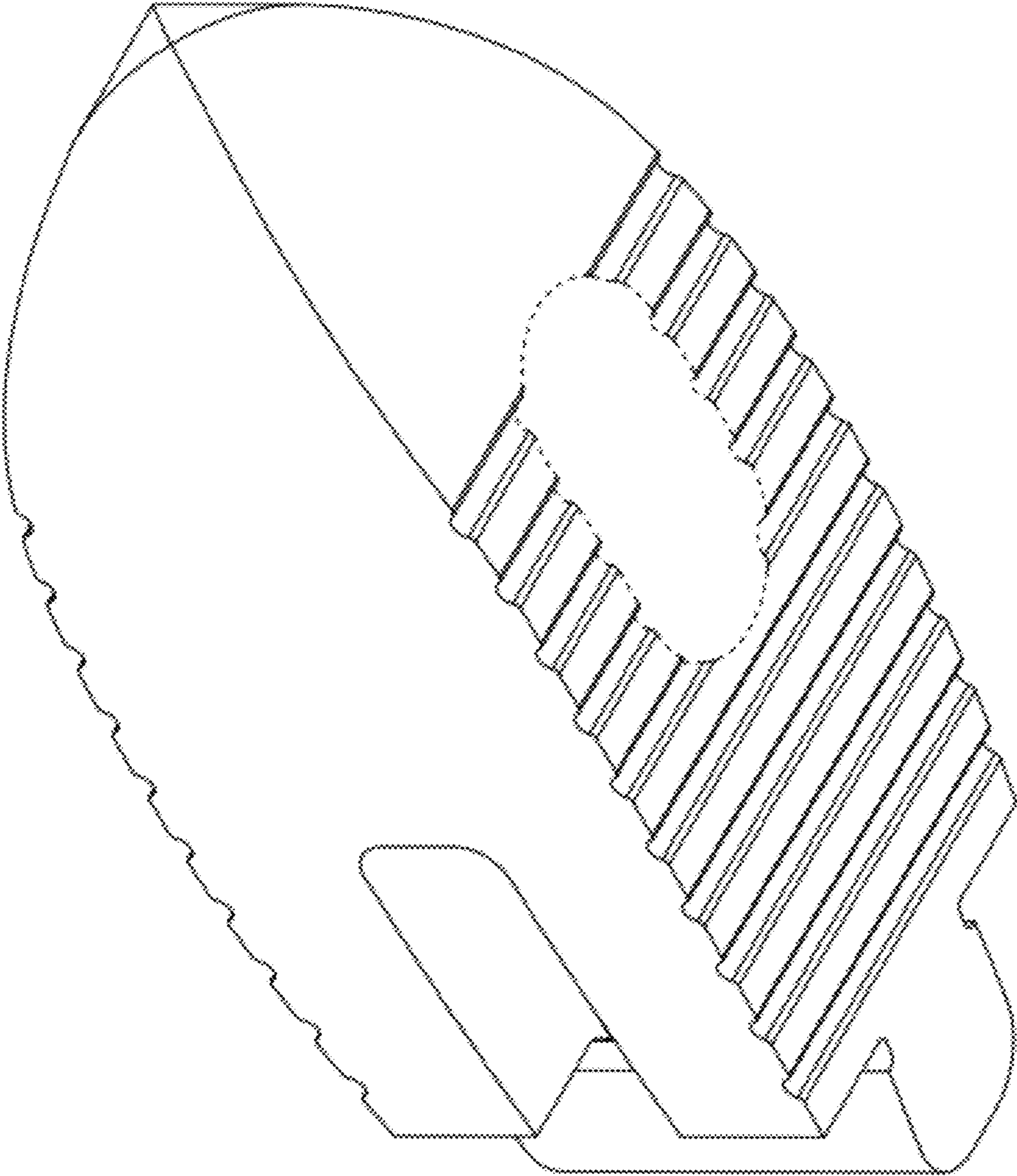


Figure 2

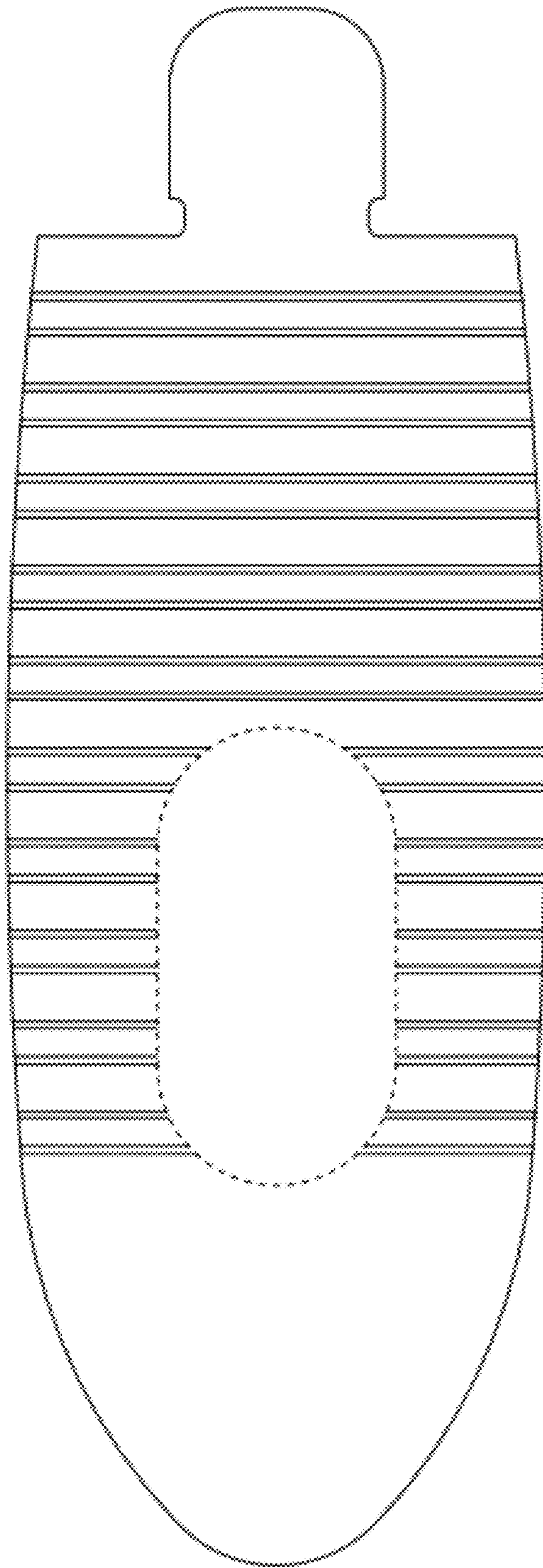


Figure 3

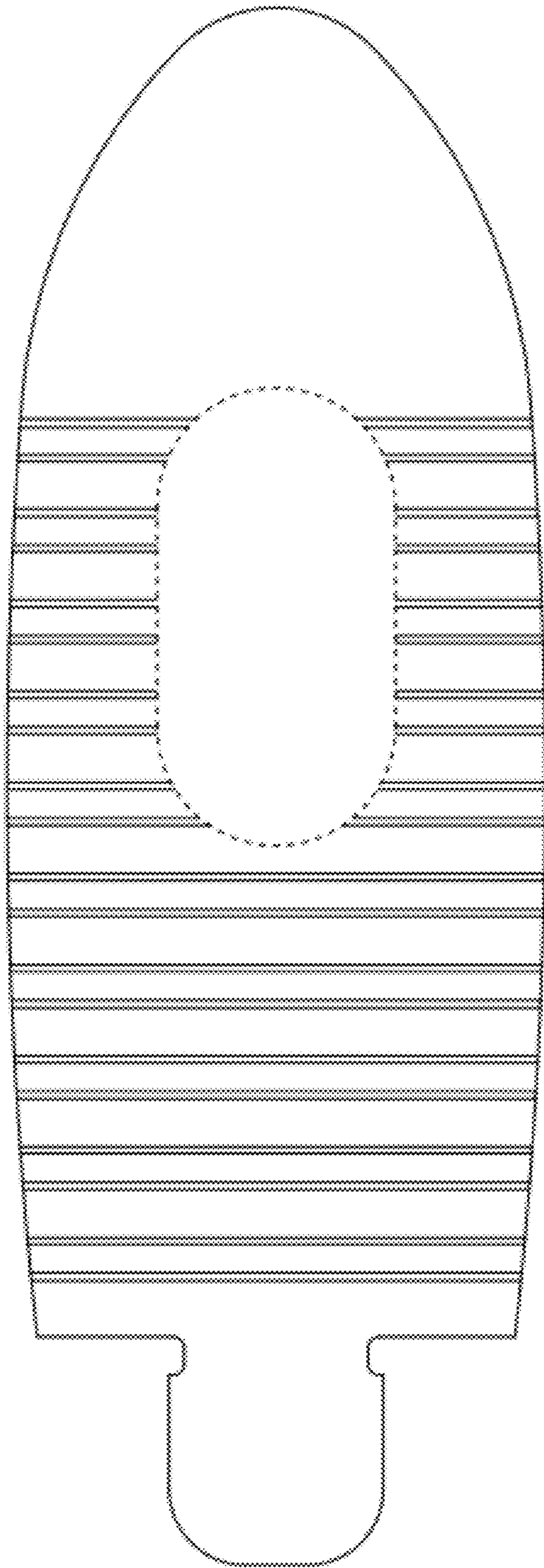


Figure 4

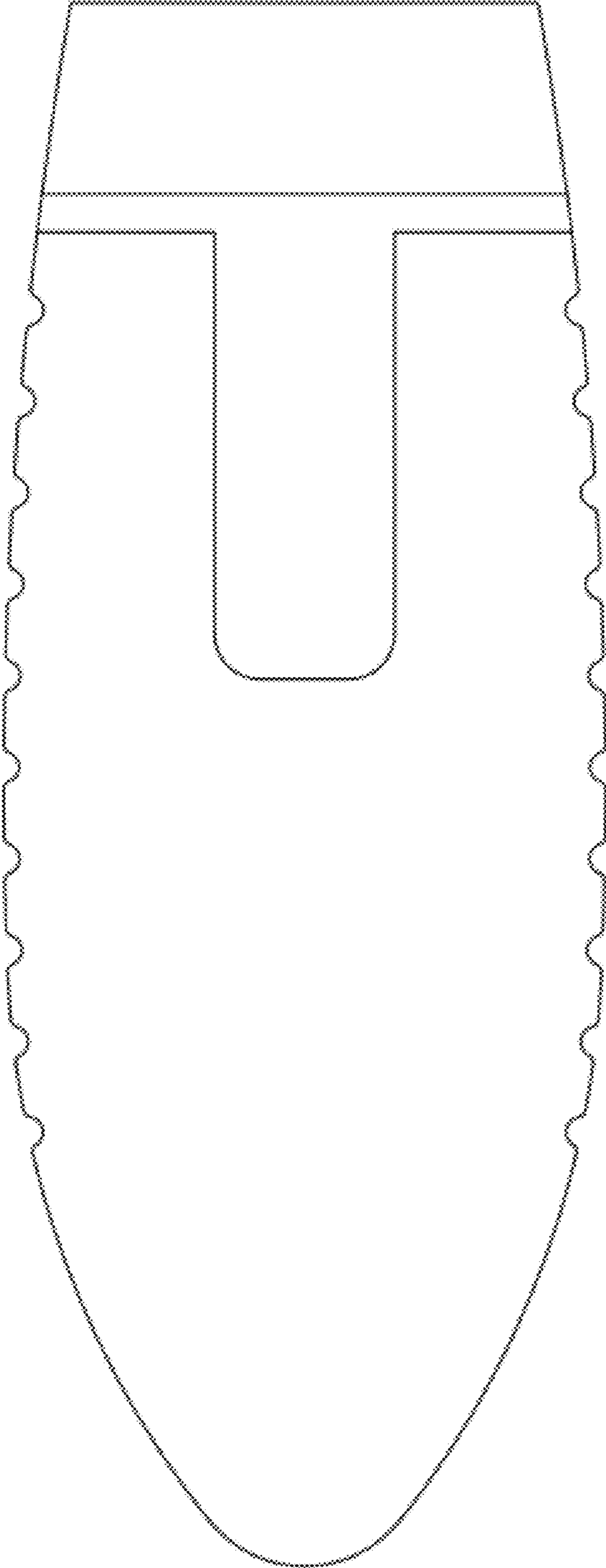


Figure 5

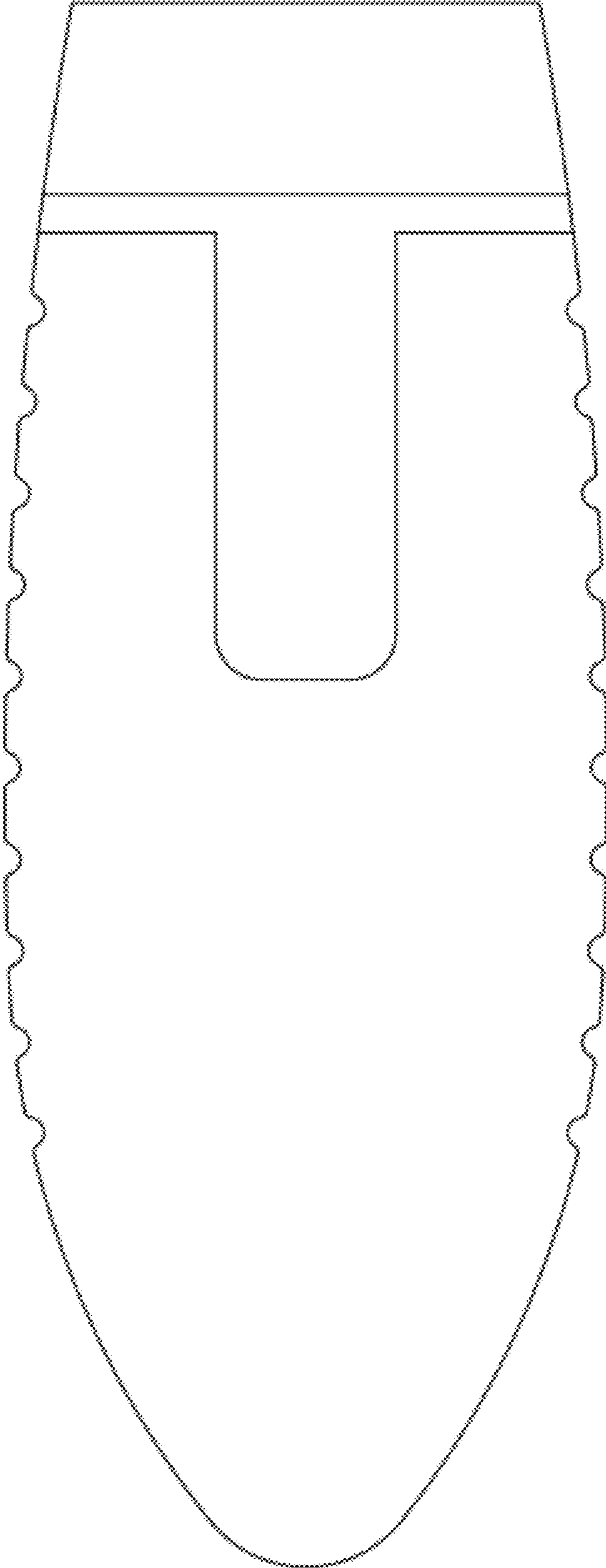


Figure 6

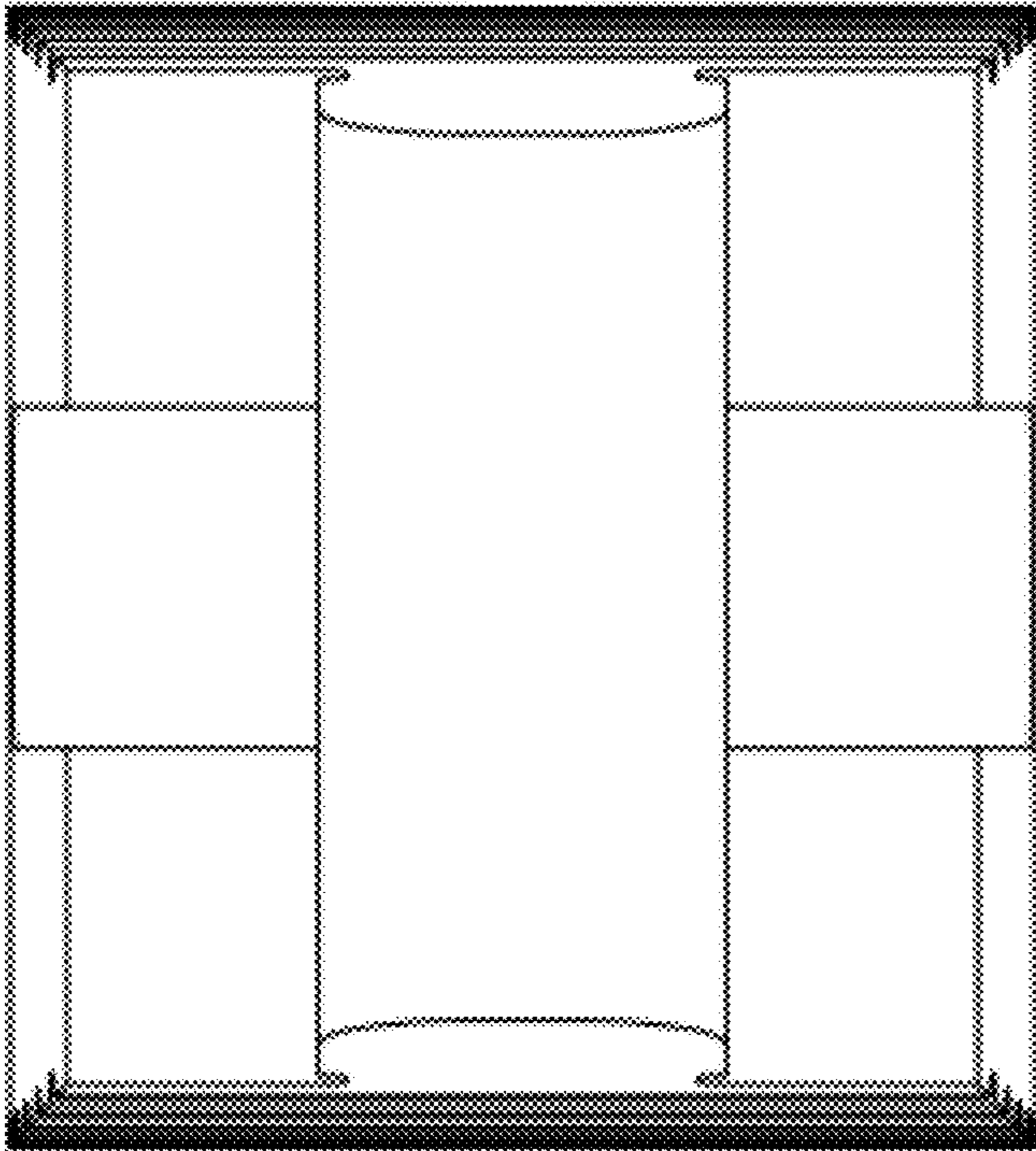


Figure 7

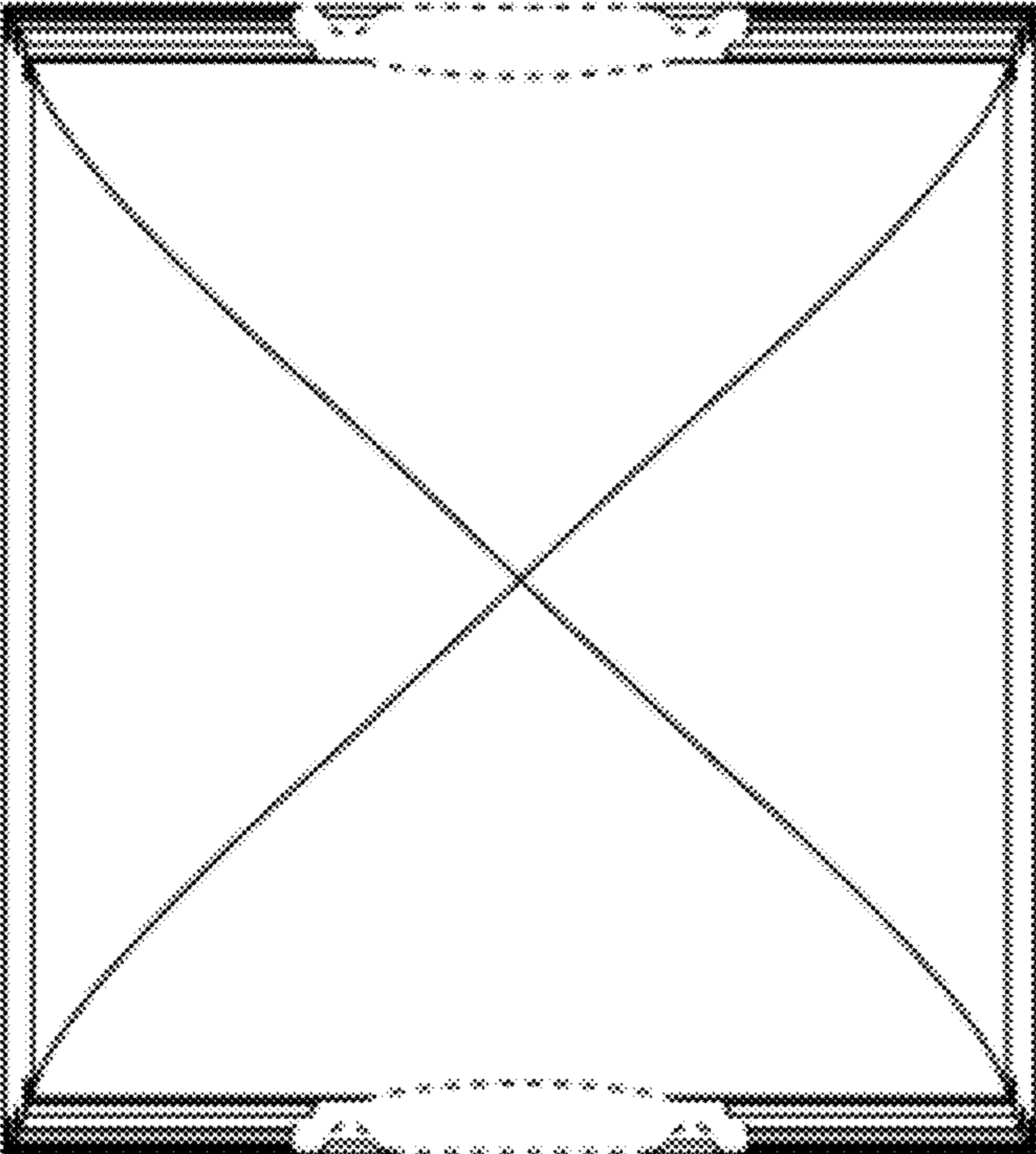


Figure 8