



US00D677790S

(12) **United States Design Patent**
Little et al.

(10) **Patent No.:** **US D677,790 S**
(45) **Date of Patent:** **** Mar. 12, 2013**

(54) **TATTOO MACHINE GRIP**

(75) Inventors: **Andrew Little**, Hamilton (CA); **Ben Campbell**, Kingston (CA)

(73) Assignee: **Eikon Device Inc.**, Kingston (CA)

(**) Term: **14 Years**

(21) Appl. No.: **29/423,086**

(22) Filed: **May 29, 2012**

(30) **Foreign Application Priority Data**

Nov. 30, 2011 (CA) 143433

(51) **LOC (9) Cl.** **24-02**

(52) **U.S. Cl.** **D24/133; D24/146**

(58) **Field of Classification Search** D24/133,
D24/140, 144, 146, 147; 606/9, 116, 185,
606/186; 81/9.22

See application file for complete search history.

(56) **References Cited**

U.S. PATENT DOCUMENTS

D380,046 S *	6/1997	Domanowski	D24/144
D598,095 S *	8/2009	Hansen	D24/133
D609,339 S *	2/2010	Myers	D24/133
D631,960 S *	2/2011	Myers	D24/133
2005/0090851 A1 *	4/2005	Devlin	606/186

2008/0078271 A1 *	4/2008	Atkinson	81/9.22
2010/0154597 A1 *	6/2010	South	81/9.22
2010/0192730 A1 *	8/2010	Dubin	81/9.22
2011/0125179 A1 *	5/2011	Dell'Aquila et al.	606/186
2011/0152911 A1 *	6/2011	Godoy et al.	606/186
2012/0179186 A1 *	7/2012	Abbott	606/185
2012/0192681 A1 *	8/2012	Klebs et al.	81/9.22
2012/0209307 A1 *	8/2012	Snijders	606/186

* cited by examiner

Primary Examiner — Bridget L Eland

(74) *Attorney, Agent, or Firm* — Fox Rothschild LLP

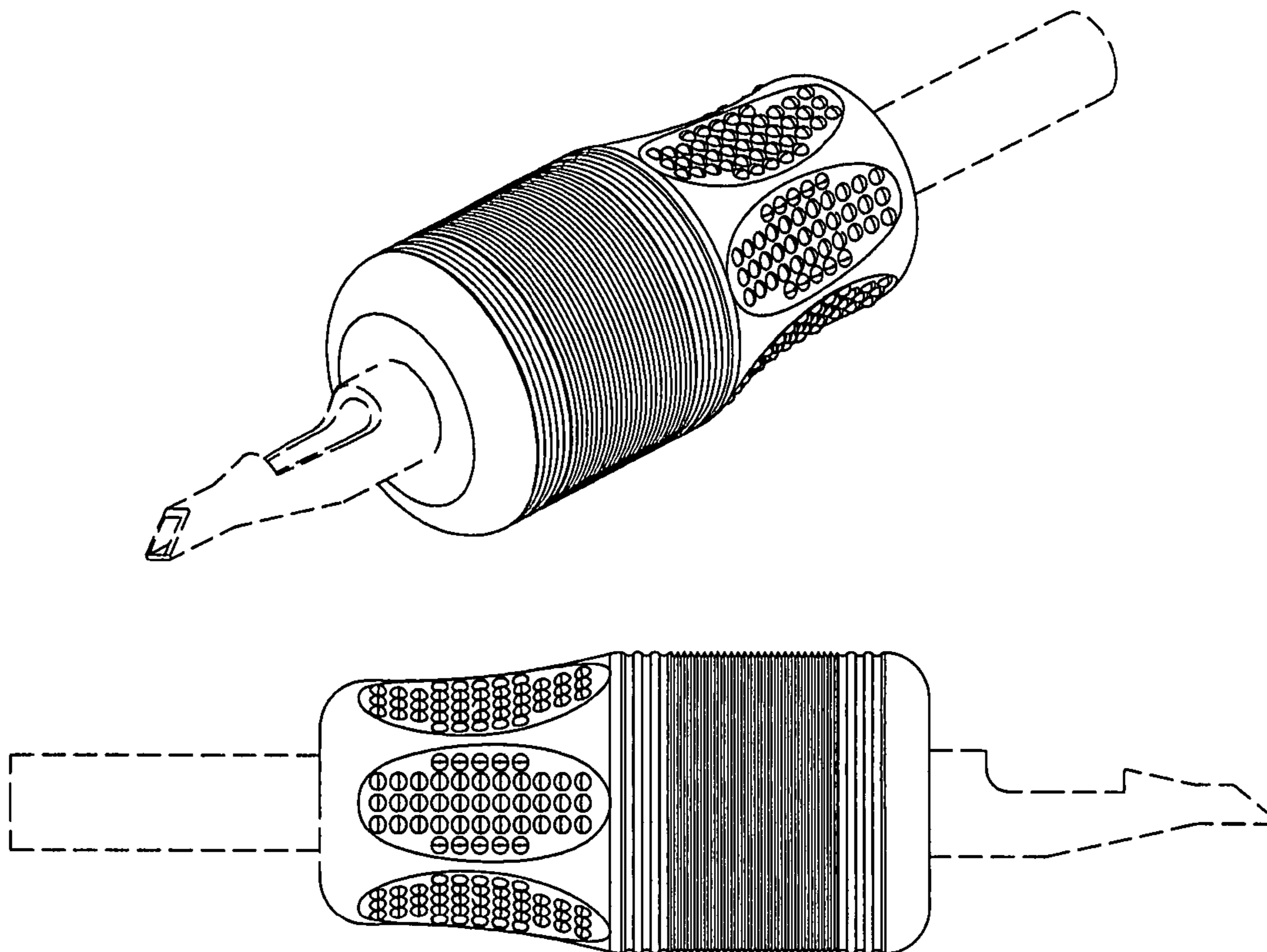
(57) **CLAIM**

The ornamental design for a tattoo machine grip, as shown and described.

DESCRIPTION

FIG. 1 is a perspective view of a tattoo machine grip. FIG. 2 is a first side view of a tattoo machine grip. FIG. 3 is a top view of a tattoo machine grip. FIG. 4 is a bottom view of a tattoo machine grip; and, FIG. 5 is a second side view of a tattoo machine grip. The broken lines showing the remainder of the tattoo machine grip are directed to environment and are for illustrative purposes only; the broken lines form no part of the claimed design.

1 Claim, 5 Drawing Sheets



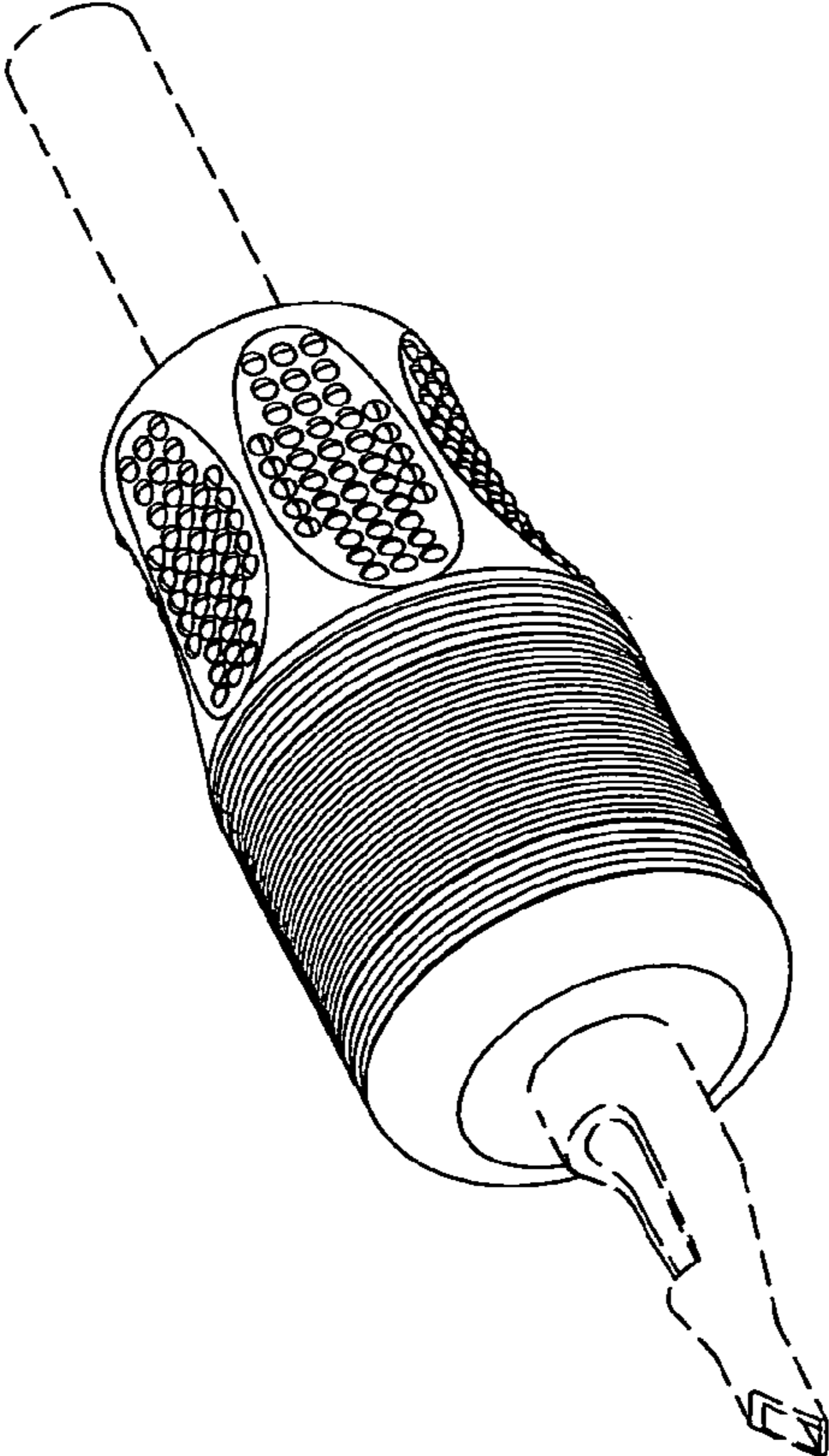


FIGURE 1

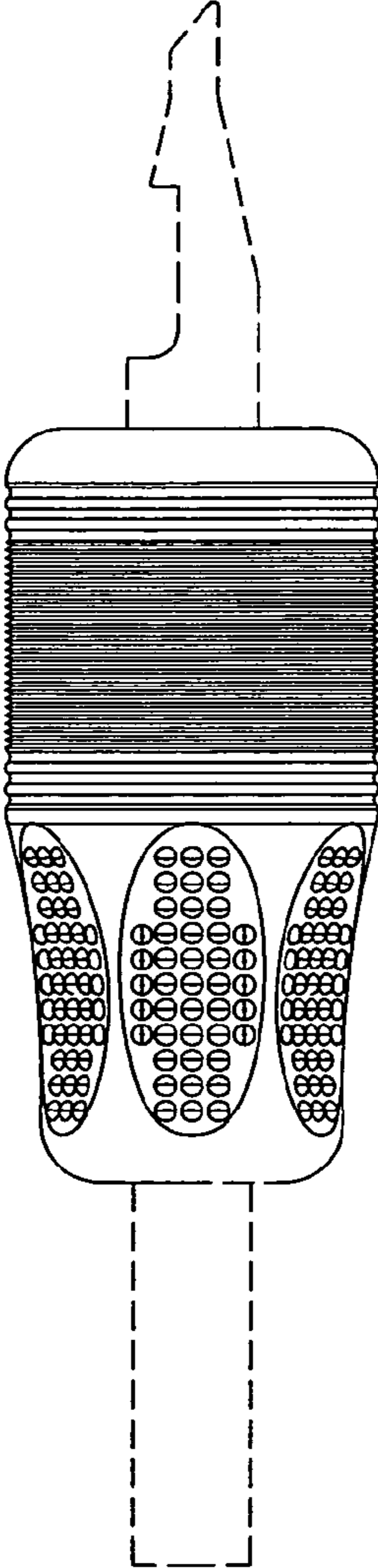


FIGURE 2

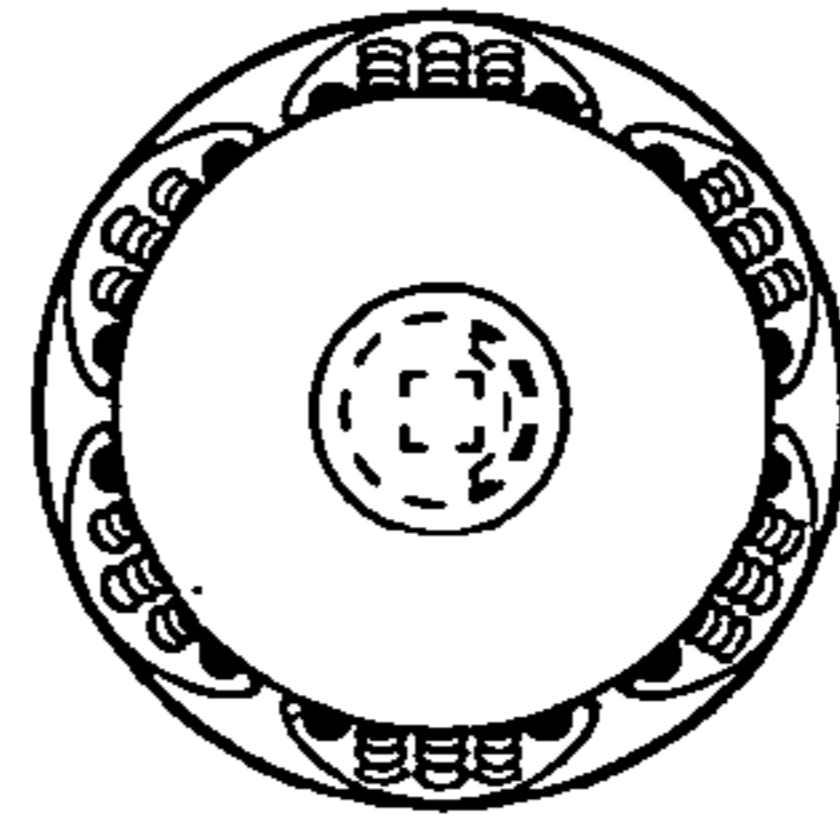


FIGURE 3

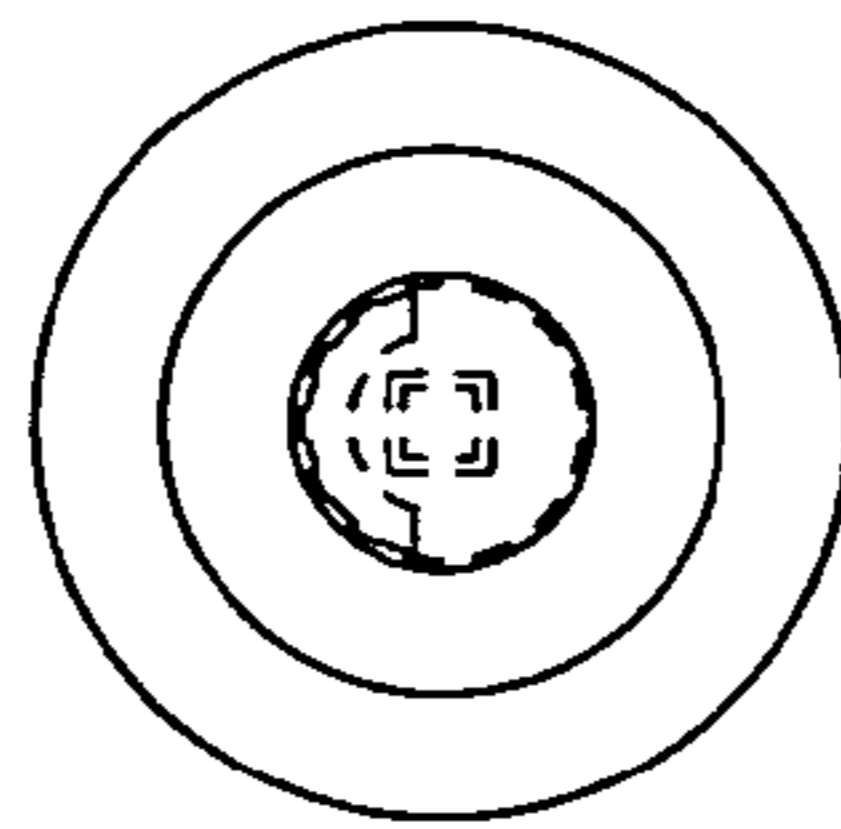


FIGURE 4

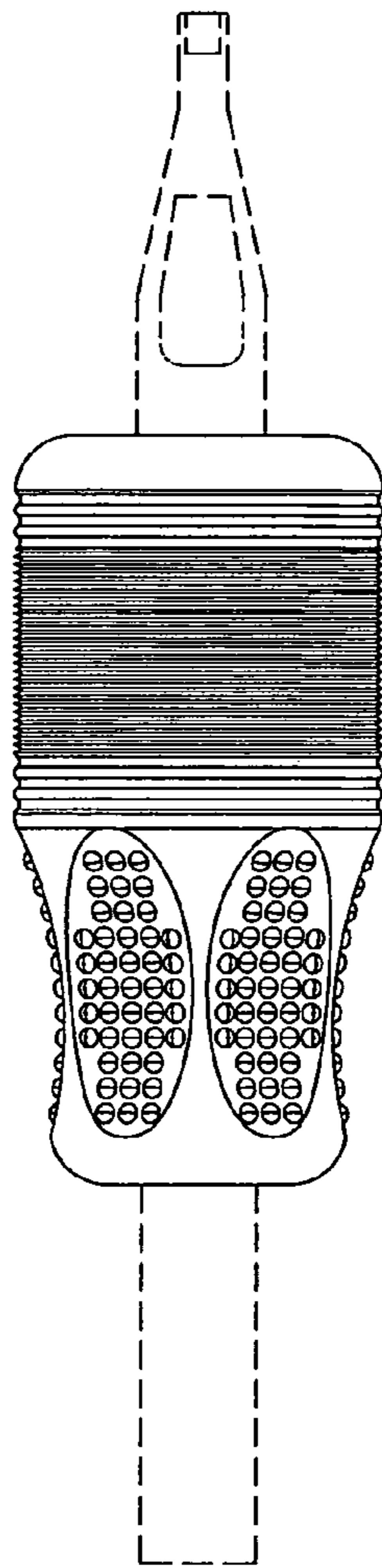


FIGURE 5