



US00D677785S

(12) **United States Design Patent**  
**Stones et al.**

(10) **Patent No.:** **US D677,785 S**  
(45) **Date of Patent:** **\*\* Mar. 12, 2013**

(54) **MEDICINE INJECTOR**

(75) Inventors: **Nicholas Charles Stones**, Basel (CH);  
**Martin James Dinnage**, Cambridge  
(GB); **Serge Roux**, Cambridge, MA  
(US); **Jeremy Alan Van Hill**, Boston,  
MA (US); **Timothy Duncan Wooller**,  
London (GB); **Andy Duncan Pidgeon**,  
Cambridge (GB); **Alan Leslie Hawkins**,  
Kent (GB)

(73) Assignee: **Novartis AG**, Basel (CH)

(\*\*) Term: **14 Years**

(21) Appl. No.: **29/406,795**

(22) Filed: **Nov. 18, 2011**

(51) **LOC (9) Cl.** ..... **24-02**

(52) **U.S. Cl.** ..... **D24/113**

(58) **Field of Classification Search** ..... D24/112-114,  
D24/133, 130, 127; 606/181, 185; 604/232,  
604/187, 158, 164.08, 192, 263, 163, 181,  
604/184, 198, 227; D19/41, 43, 45-51, 69;  
D8/300, 307, 310; D26/37

See application file for complete search history.

(56) **References Cited**

**U.S. PATENT DOCUMENTS**

D341,200 S \* 11/1993 Yoshimoto ..... D24/133  
D420,739 S \* 2/2000 Moreau-Defarges ..... D24/112

D429,526 S \* 8/2000 Sullivan et al. .... D24/133  
D462,440 S \* 9/2002 Formanek ..... D24/133  
D491,986 S \* 6/2004 Bain ..... D19/69  
D495,076 S \* 8/2004 Mandel ..... D26/37  
D530,746 S \* 10/2006 Gerules ..... D19/45  
D538,936 S \* 3/2007 Bohmel et al. .... D24/133  
D590,492 S \* 4/2009 Powell ..... D24/133  
D597,668 S \* 8/2009 Woodruff et al. .... D24/133  
D616,024 S \* 5/2010 Siegel ..... D19/43  
D647,613 S \* 10/2011 Paget et al. .... D24/133  
D650,070 S \* 12/2011 Mori ..... D24/113

\* cited by examiner

*Primary Examiner* — David Muller

(74) *Attorney, Agent, or Firm* — Design IP

(57) **CLAIM**

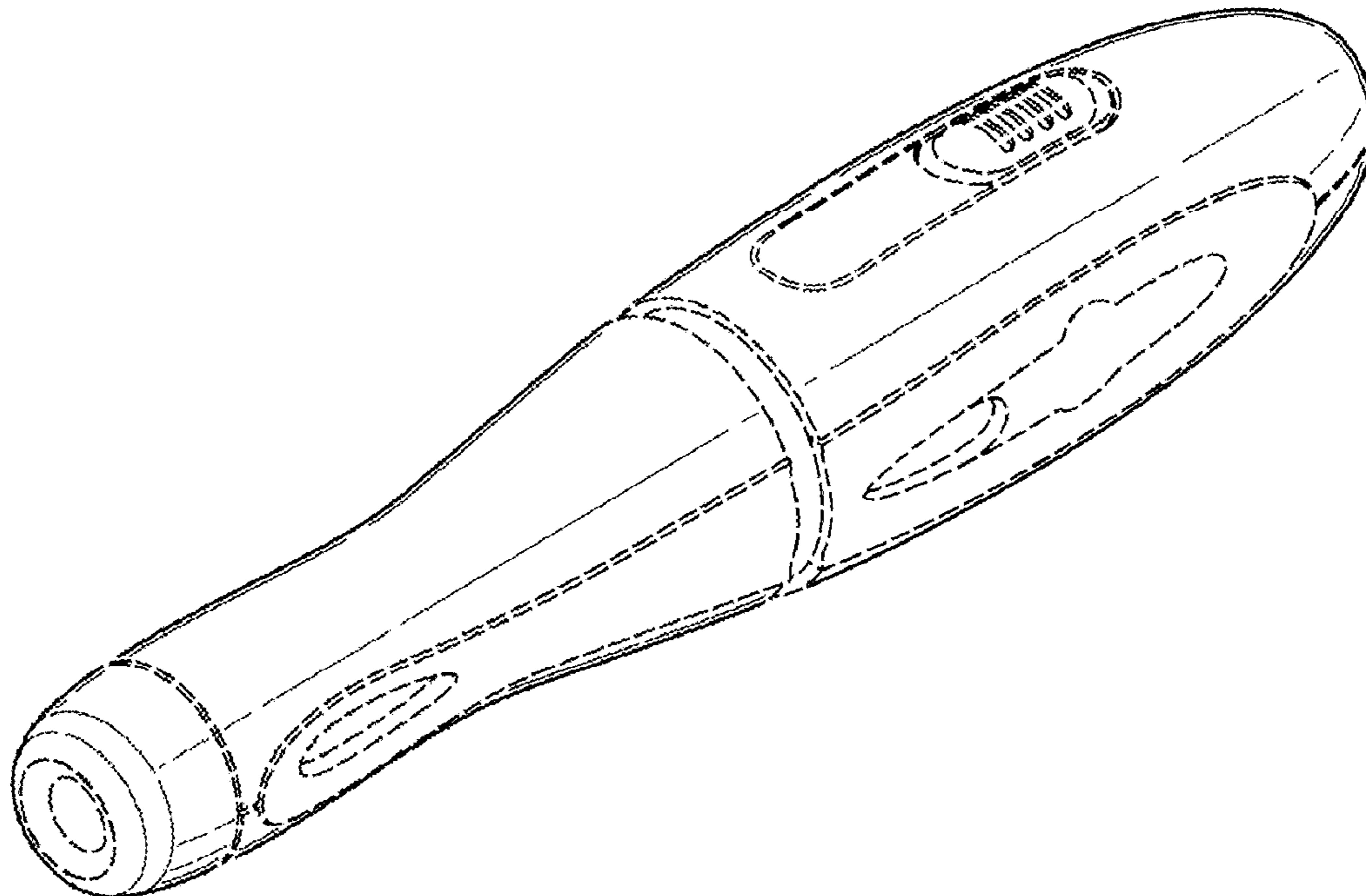
The ornamental design for a medicine injector, as shown and described.

**DESCRIPTION**

FIG. 1 is a perspective view of a medicine injector showing our new design;  
FIG. 2 is a front view thereof;  
FIG. 3 is a rear view thereof;  
FIG. 4 is a left side view thereof;  
FIG. 5 is a right side view thereof;  
FIG. 6 is a top view thereof; and,  
FIG. 7 is a bottom view thereof.

The broken lines shown in FIGS. 1-7 represent environmental subject matter and form no part of the claimed design.

**1 Claim, 2 Drawing Sheets**



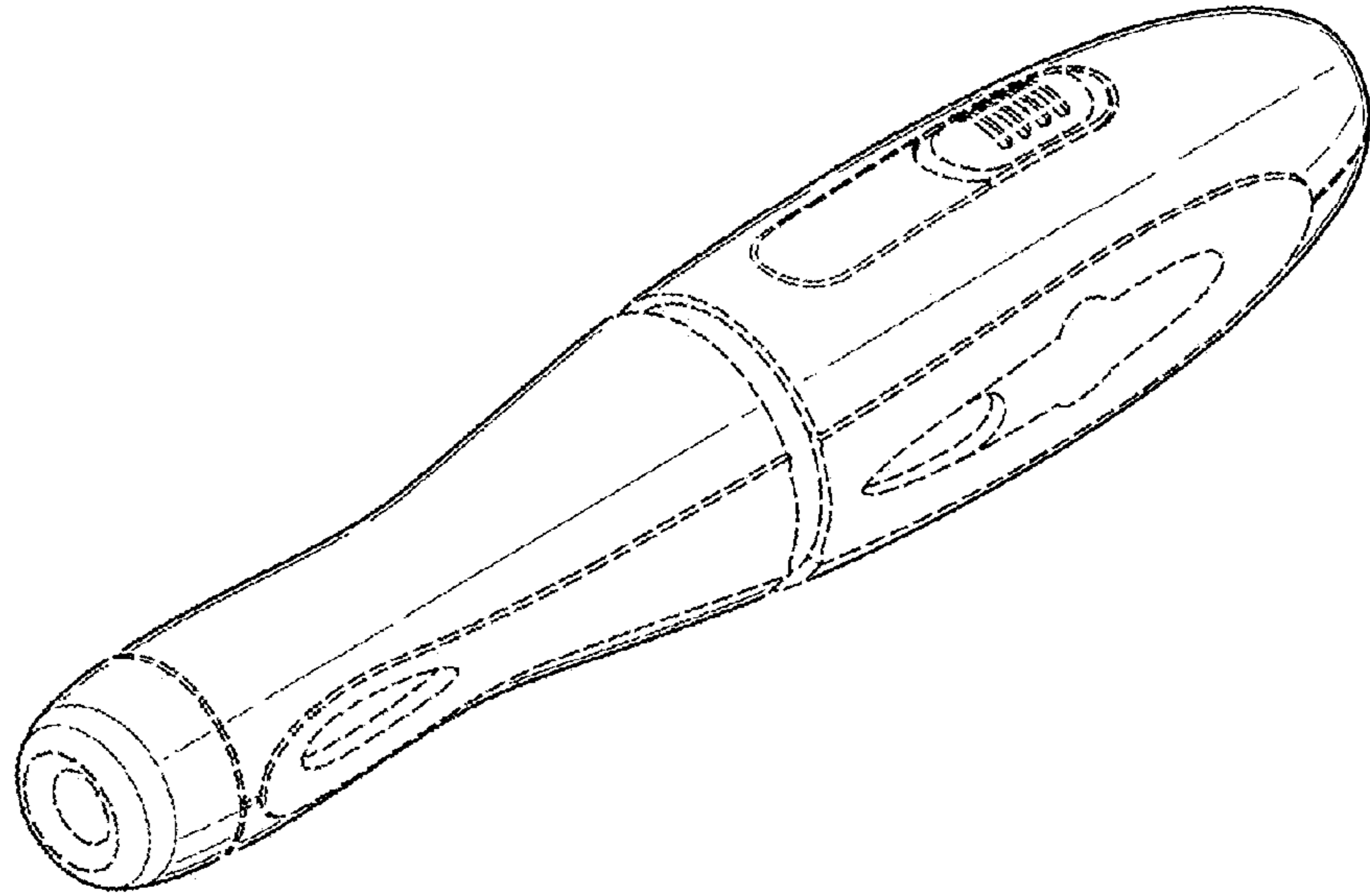


Fig. 1



Fig. 2

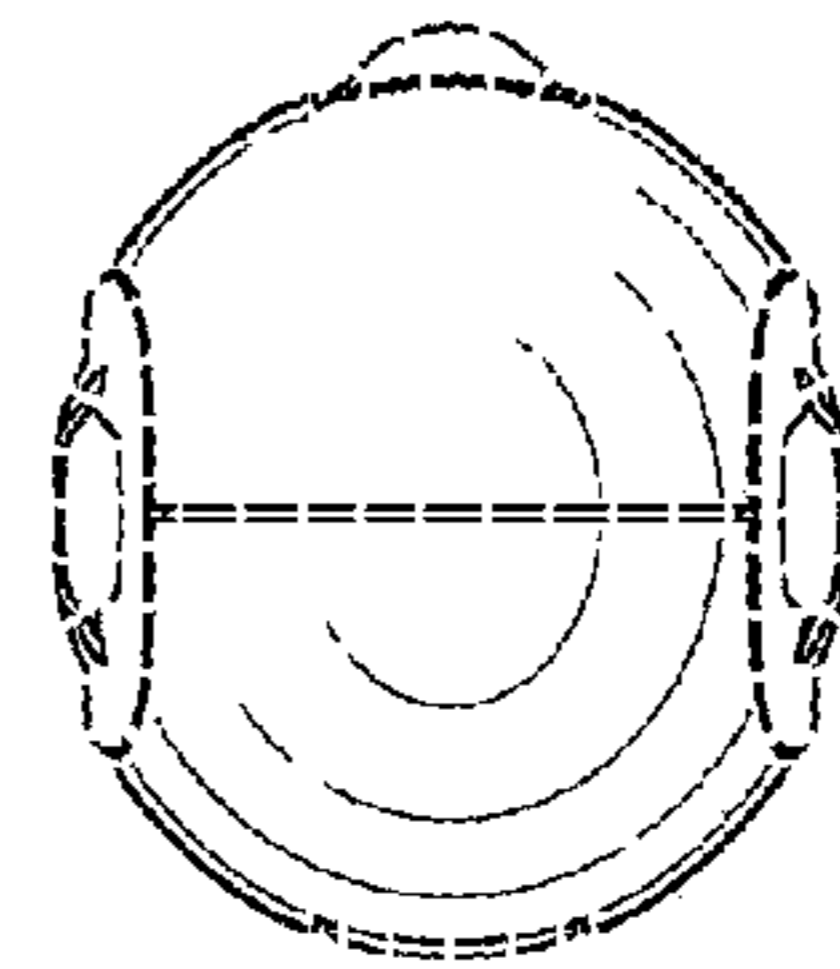


Fig. 3

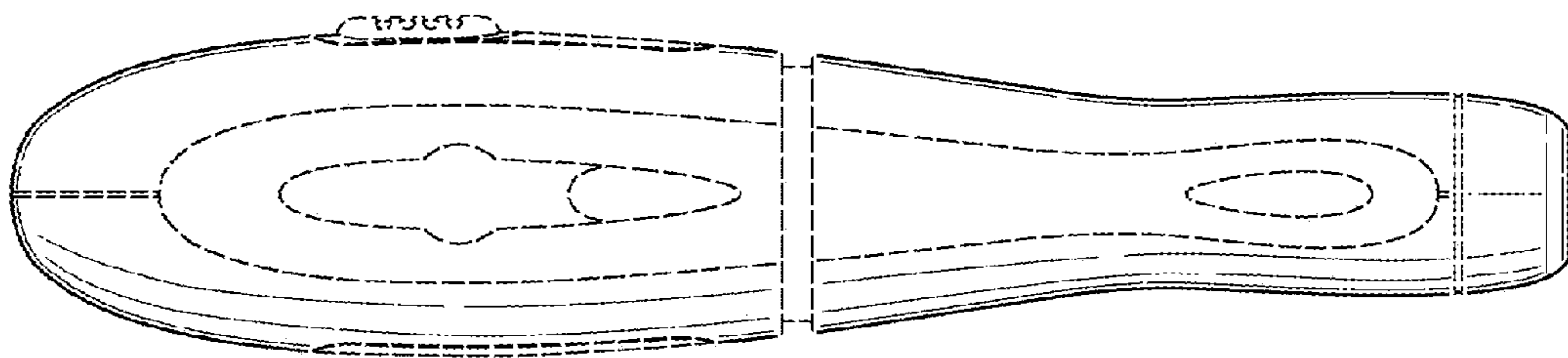


Fig. 4

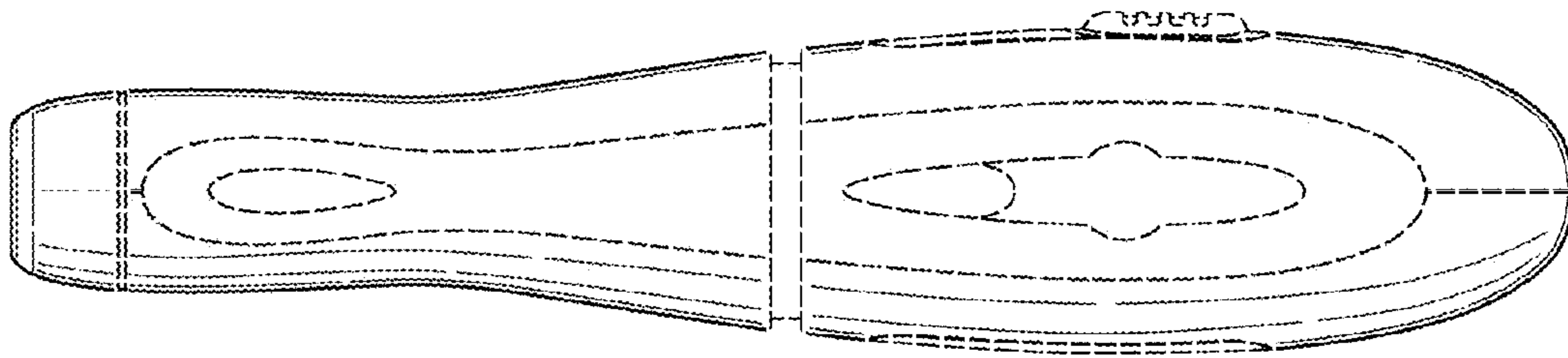


Fig. 5

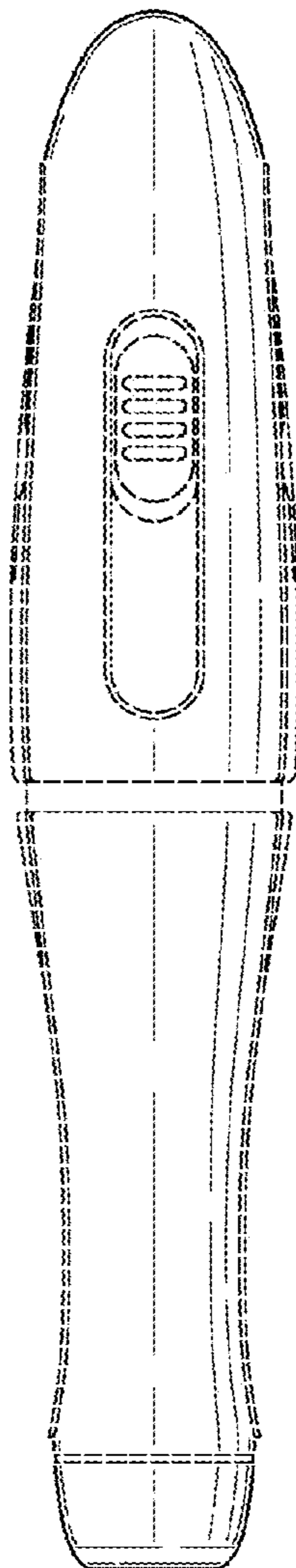


Fig. 6

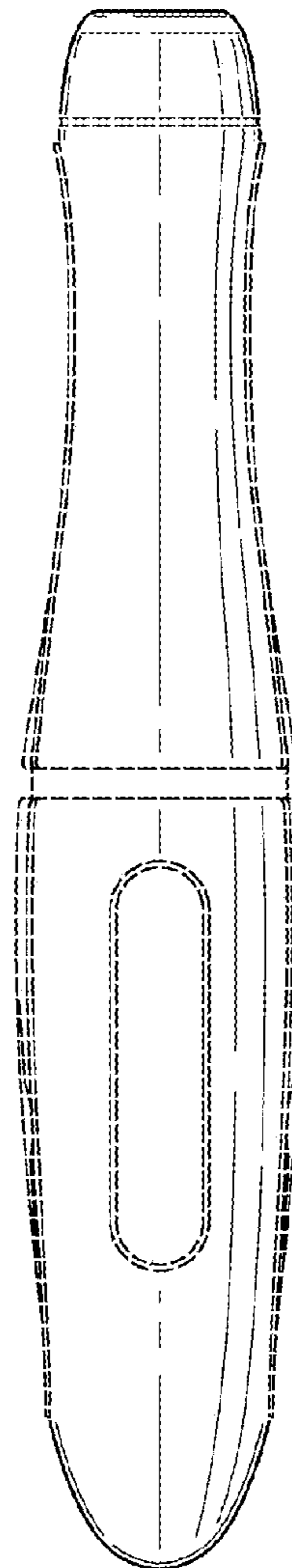


Fig. 7