



US00D677783S

(12) **United States Design Patent**  
**Naef et al.**

(10) **Patent No.:** **US D677,783 S**  
(45) **Date of Patent:** **\*\* Mar. 12, 2013**

- (54) **OPHTHALMOLOGIC CASSETTE**
- (75) Inventors: **Therese Naef**, Wettingen (CH); **Britta Pukall**, Wädenswil (CH)
- (73) Assignee: **Carl Zeiss Meditec AG**, Jena (DE)
- (\*\*) Term: **14 Years**
- (21) Appl. No.: **29/371,460**
- (22) Filed: **Mar. 4, 2011**
- (51) **LOC (9) Cl.** ..... **24-02**
- (52) **U.S. Cl.** ..... **D24/111**
- (58) **Field of Classification Search** ..... D24/111,  
D24/108, 172; 128/DIG. 12; 417/477.2,  
417/478; 604/30, 33-34, 65-67, 131-132,  
604/151-154, 246-247  
See application file for complete search history.

D557,803 S \* 12/2007 Muri et al. .... D24/111  
 D585,543 S \* 1/2009 Yodfat et al. .... D24/111  
 2004/0034331 A1\* 2/2004 Toman et al. .... 604/151

\* cited by examiner

*Primary Examiner* — Wan Laymon  
(74) *Attorney, Agent, or Firm* — Walter Ottesen, P.A.

(57) **CLAIM**  
The ornamental design for an ophthalmologic cassette, as shown and described.

**DESCRIPTION**

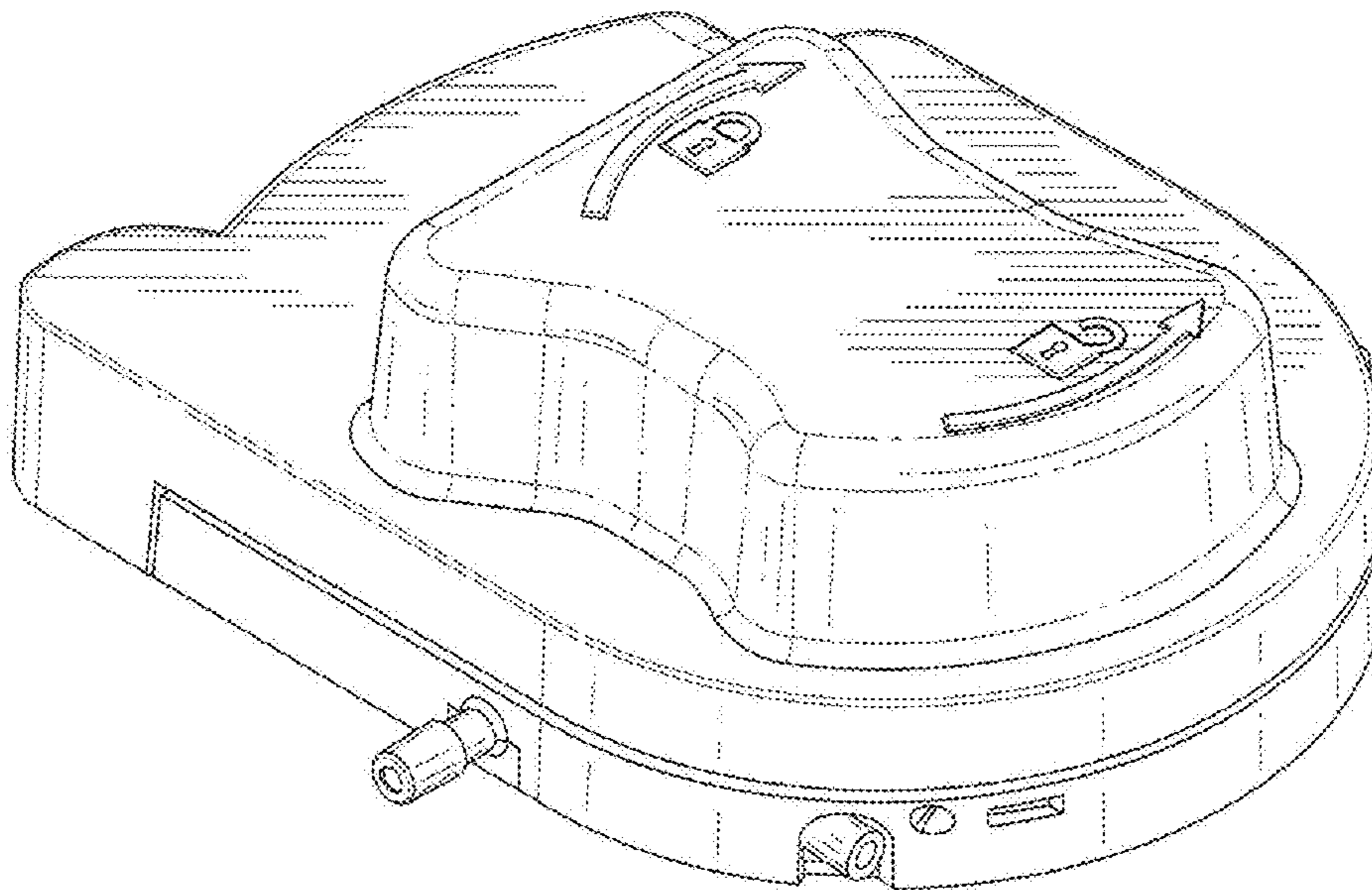
FIG. 1 is a perspective view of an ophthalmologic cassette according to our new design;  
 FIG. 2 is a top plan view of the ophthalmologic cassette shown in FIG. 1;  
 FIG. 3 is a bottom plan view of the ophthalmologic cassette shown in FIG. 1;  
 FIG. 4 is a left side elevation view of the ophthalmologic cassette shown in FIG. 1;  
 FIG. 5 is a right side elevation view of the ophthalmologic cassette shown in FIG. 1;  
 FIG. 6 is a front elevation view of the ophthalmologic cassette shown in FIG. 1; and,  
 FIG. 7 is a rear elevation view of the ophthalmologic cassette shown in FIG. 1.  
 Portions of the ophthalmologic cassette shown in broken lines form no part of the claimed design.

**1 Claim, 4 Drawing Sheets**

(56) **References Cited**

U.S. PATENT DOCUMENTS

D305,150 S \* 12/1989 Pastrone ..... D24/111  
 5,743,878 A \* 4/1998 Ross et al. .... 604/131  
 5,807,075 A \* 9/1998 Jacobsen et al. .... 417/44.2  
 5,899,674 A \* 5/1999 Jung et al. .... 417/477.2  
 D471,274 S \* 3/2003 Diaz et al. .... D24/111



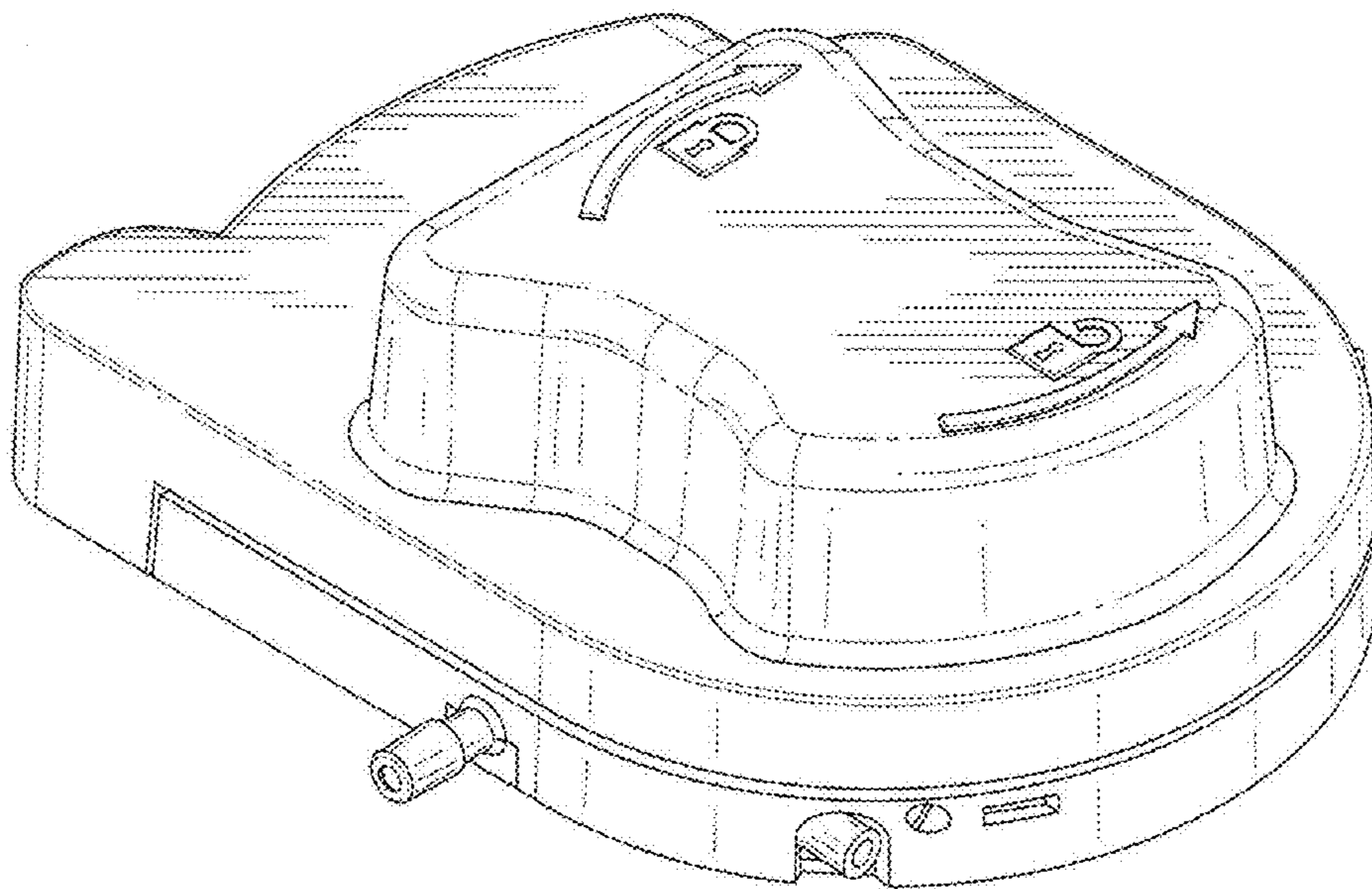


FIG. 1

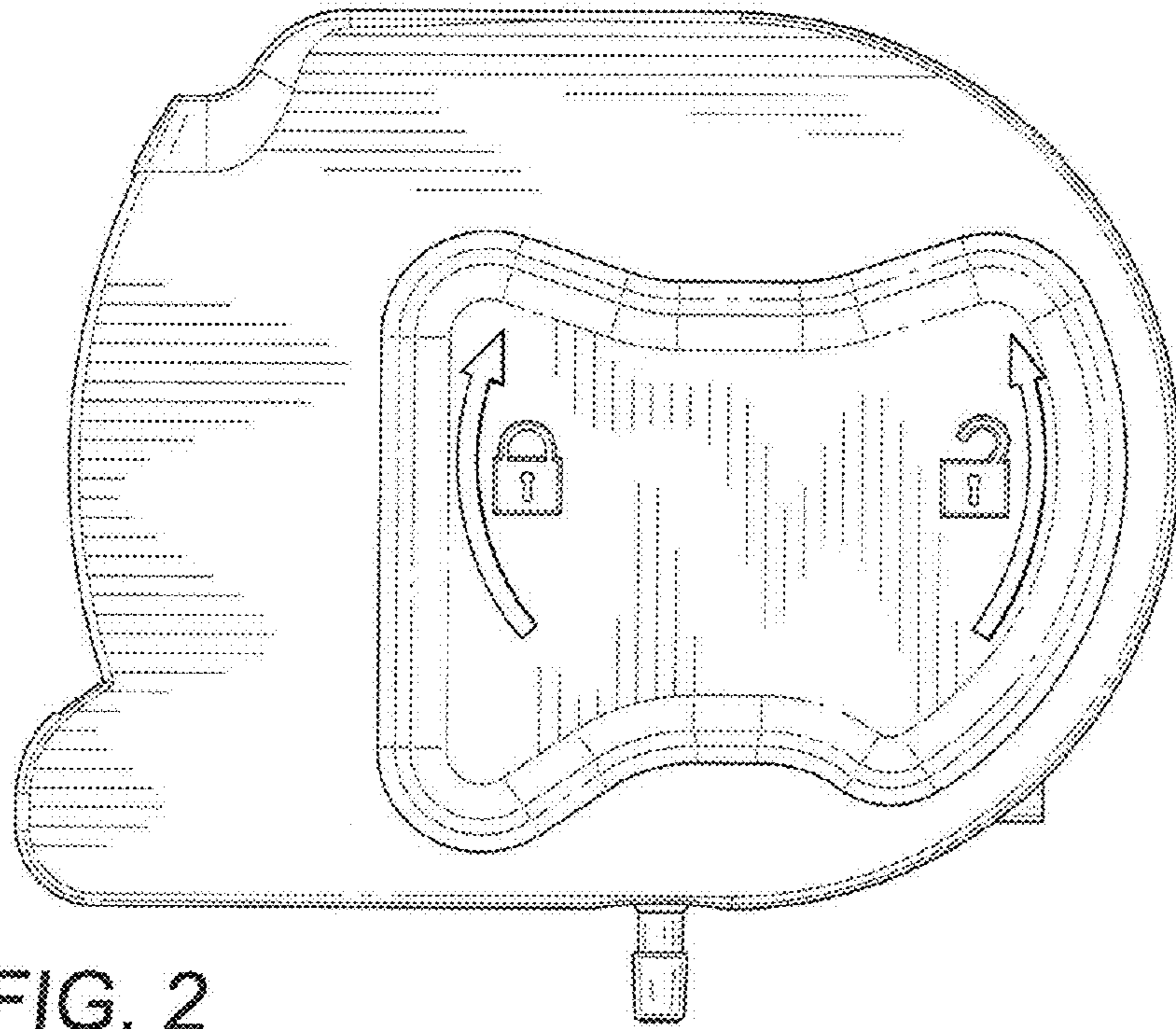


FIG. 2

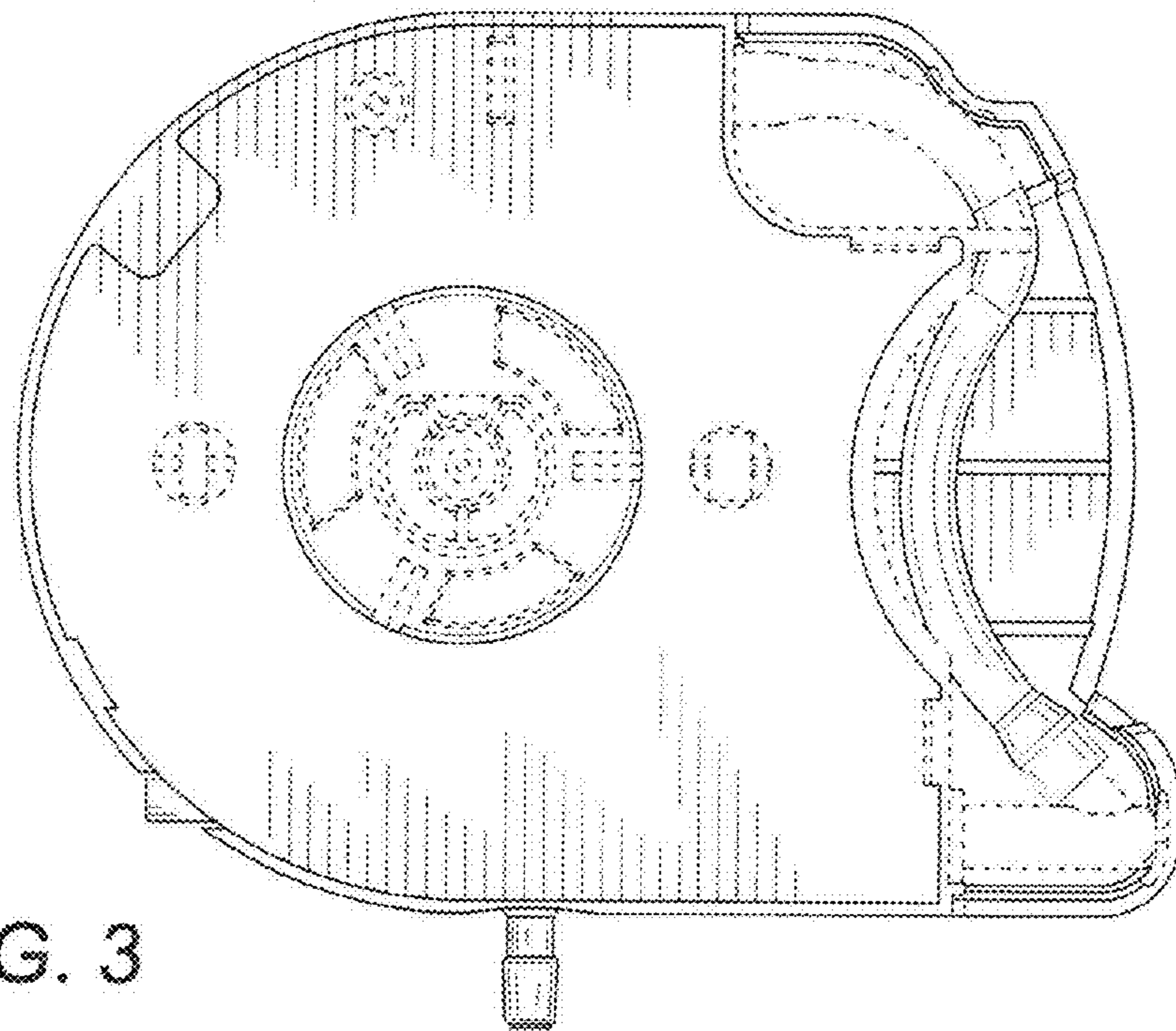


FIG. 3

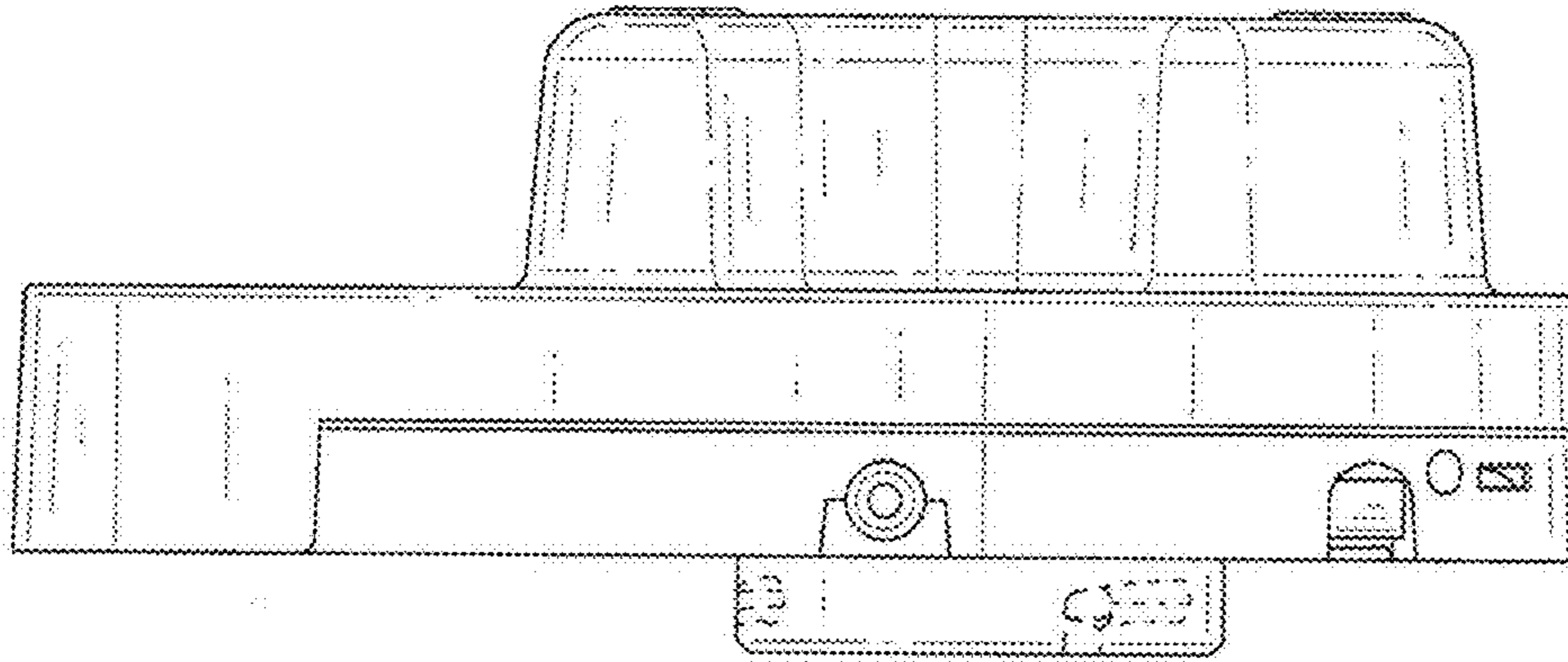


FIG. 4

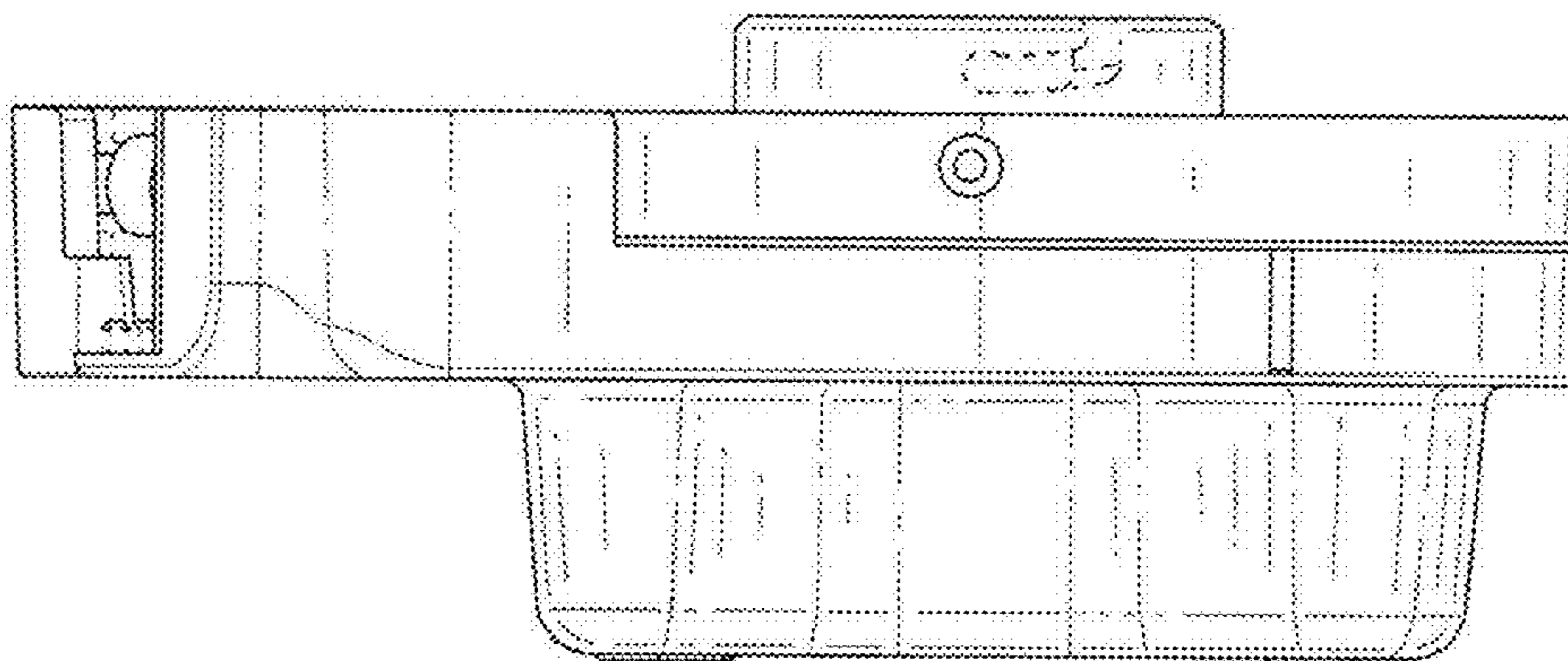


FIG. 5

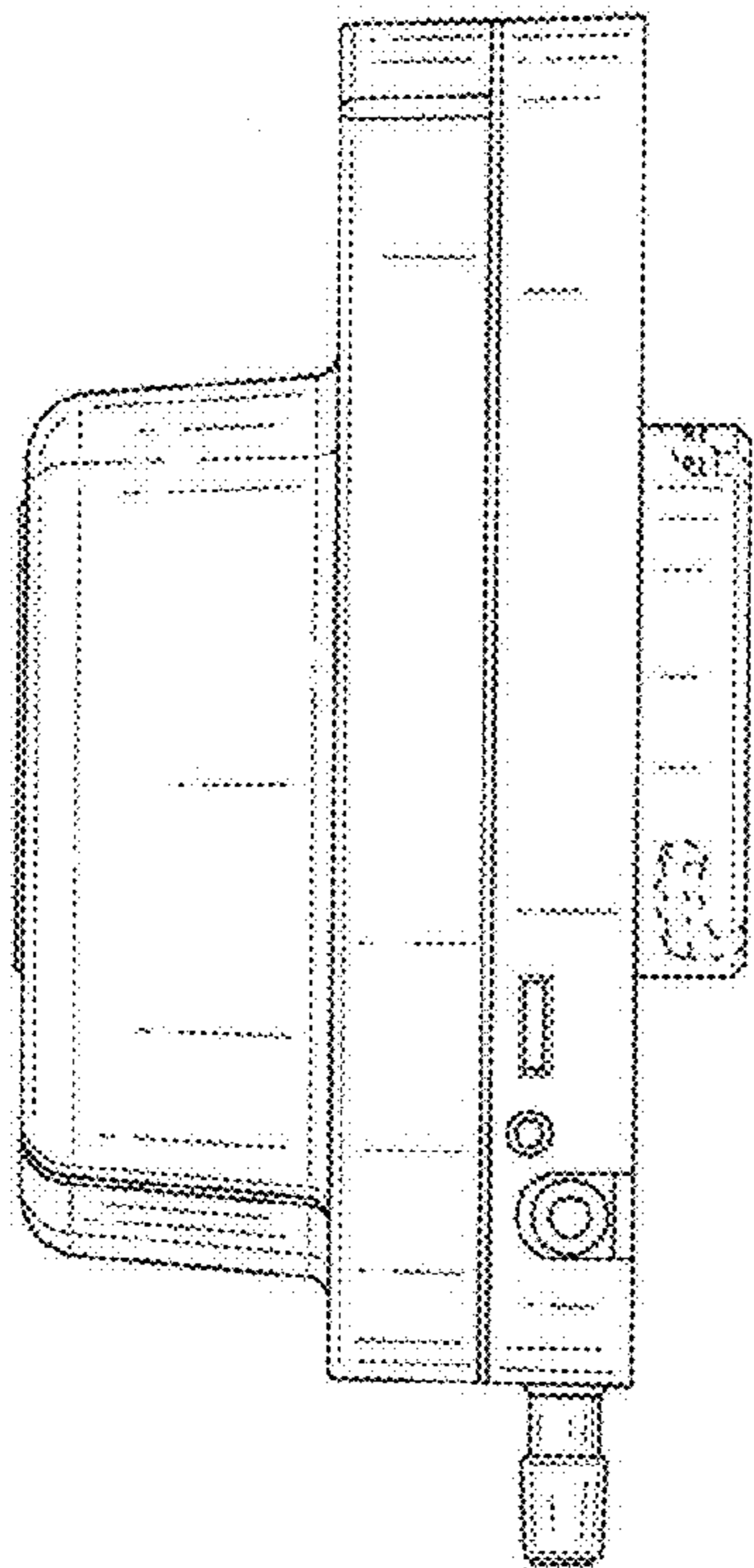


FIG. 6

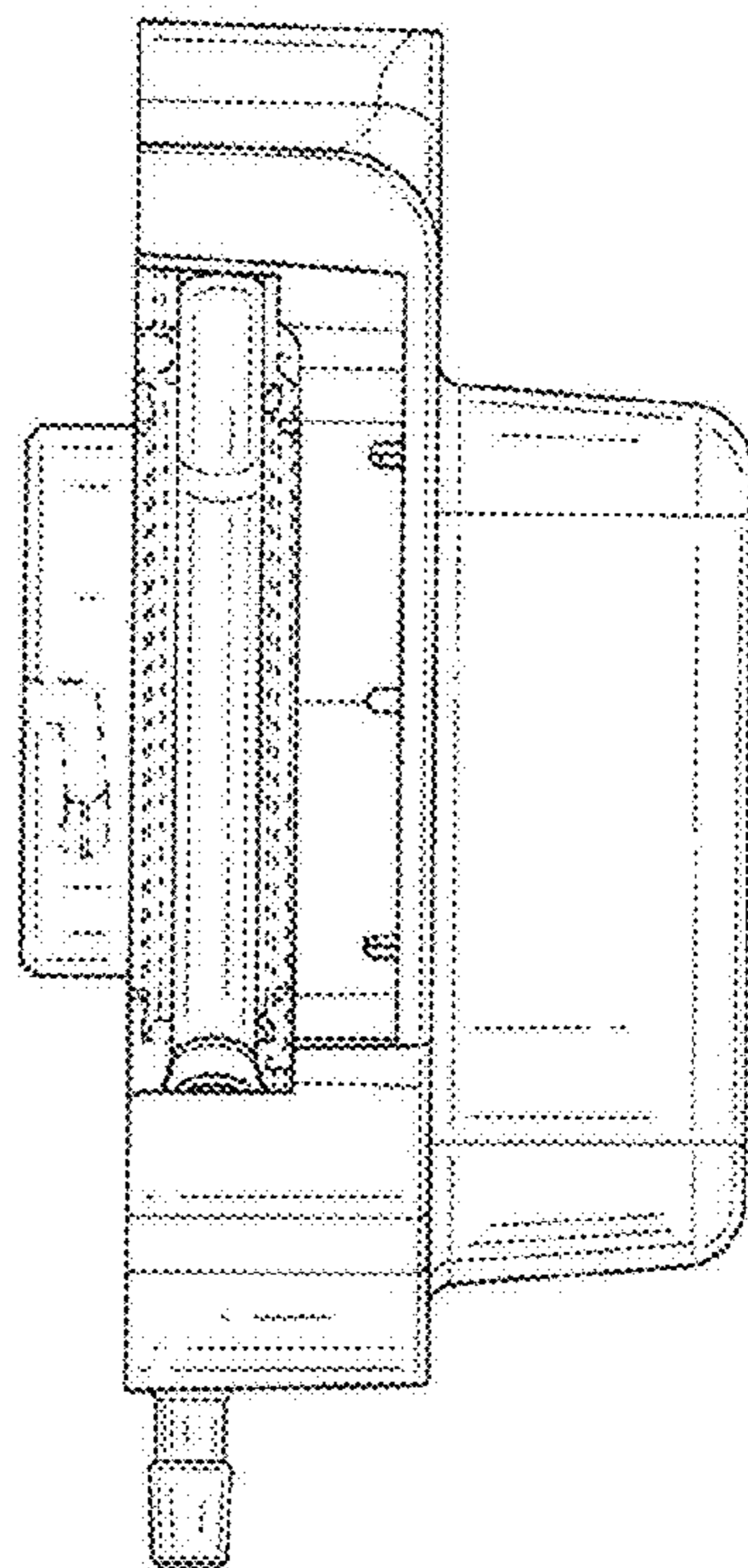


FIG. 7