



US00D677778S

(12) **United States Design Patent**
Ng et al.

(10) **Patent No.:** **US D677,778 S**
(45) **Date of Patent:** **** Mar. 12, 2013**

(54) **ADJUSTABLE FOREHEAD SUPPORT DIAL FOR RESPIRATORY MASK**

(75) Inventors: **Eva Ng**, Erskineville (AU); **Vincent Chu**, Darlington (AU); **Mark Bertinetti**, Ermington (AU); **Scott Alexander Howard**, Harbord (AU); **Murray William Lee**, Quakers Hill (AU); **Philip Thomas Stallard**, Denistone East (AU); **Joshua Adam Gudiksen**, Mortdale (AU); **Susan Robyn Lynch**, Bella Vista (AU)

(73) Assignee: **Resmed Limited**, Bella Vista (AU)

(**) Term: **14 Years**

(21) Appl. No.: **29/347,600**

(22) Filed: **Mar. 11, 2010**

Related U.S. Application Data

(63) Continuation of application No. 29/311,764, filed on Jun. 15, 2009, now Pat. No. Des. 613,853, which is a continuation of application No. 29/268,827, filed on Nov. 14, 2006, now Pat. No. Des. 596,739.

(51) **LOC (9) Cl.** **29-02**

(52) **U.S. Cl.** **D24/110.1**

(58) **Field of Classification Search** D24/110.1, D24/110.4, 110.5; 128/205.25, 206.21, 206.26, 128/206.27, 207.11, 207.13, 207.15; D9/439, D9/440, 503, 544; 215/307, 296
See application file for complete search history.

(56) **References Cited**

U.S. PATENT DOCUMENTS

1,109,318	A *	9/1914	Browne et al.	128/203.29
D121,069	S *	6/1940	Hansen	D24/110.4
D188,471	S	7/1960	Terwilliger	
3,234,939	A *	2/1966	Morton, Jr.	128/206.27
4,182,458	A	1/1980	Meckler	
D259,704	S *	6/1981	Castronovo	D9/447
D287,938	S *	1/1987	Sachs	D9/439
4,873,972	A *	10/1989	Magidson et al.	128/206.12
D328,033	S	7/1992	DiGuseppi	

5,240,479	A *	8/1993	Bachinski	96/17
D375,018	S	10/1996	Goto et al.	
5,803,285	A	9/1998	Hirota	
6,532,961	B1	3/2003	Kwok et al.	
D480,640	S	10/2003	Oyama et al.	
D493,221	S *	7/2004	Smart	D24/110.4
D493,522	S	7/2004	Fu et al.	
D501,138	S	1/2005	Uchiyama	
D515,698	S	2/2006	Lang et al.	
D528,417	S	9/2006	Matsuda et al.	
D543,620	S	5/2007	Chu et al.	
D562,446	S	2/2008	Chu et al.	
D596,739	S	7/2009	Ng et al.	
D597,661	S *	8/2009	Reid et al.	D24/110.1
D613,853	S *	4/2010	Ng et al.	D24/110.1
D623,049	S *	9/2010	Zeyfang	D8/397
D643,288	S *	8/2011	Taylor	D9/453
D660,695	S *	5/2012	Ishizawa et al.	D9/447
2002/0185134	A1 *	12/2002	Bishop	128/206.25
2003/0029456	A1 *	2/2003	Lambert	128/207.15

OTHER PUBLICATIONS

Ng et al., Parent U.S. Appl. No. 29/311,764, filed Jun. 15, 2009.

* cited by examiner

Primary Examiner — Rashida Johnson

(74) *Attorney, Agent, or Firm* — Nixon & Vanderhye P.C.

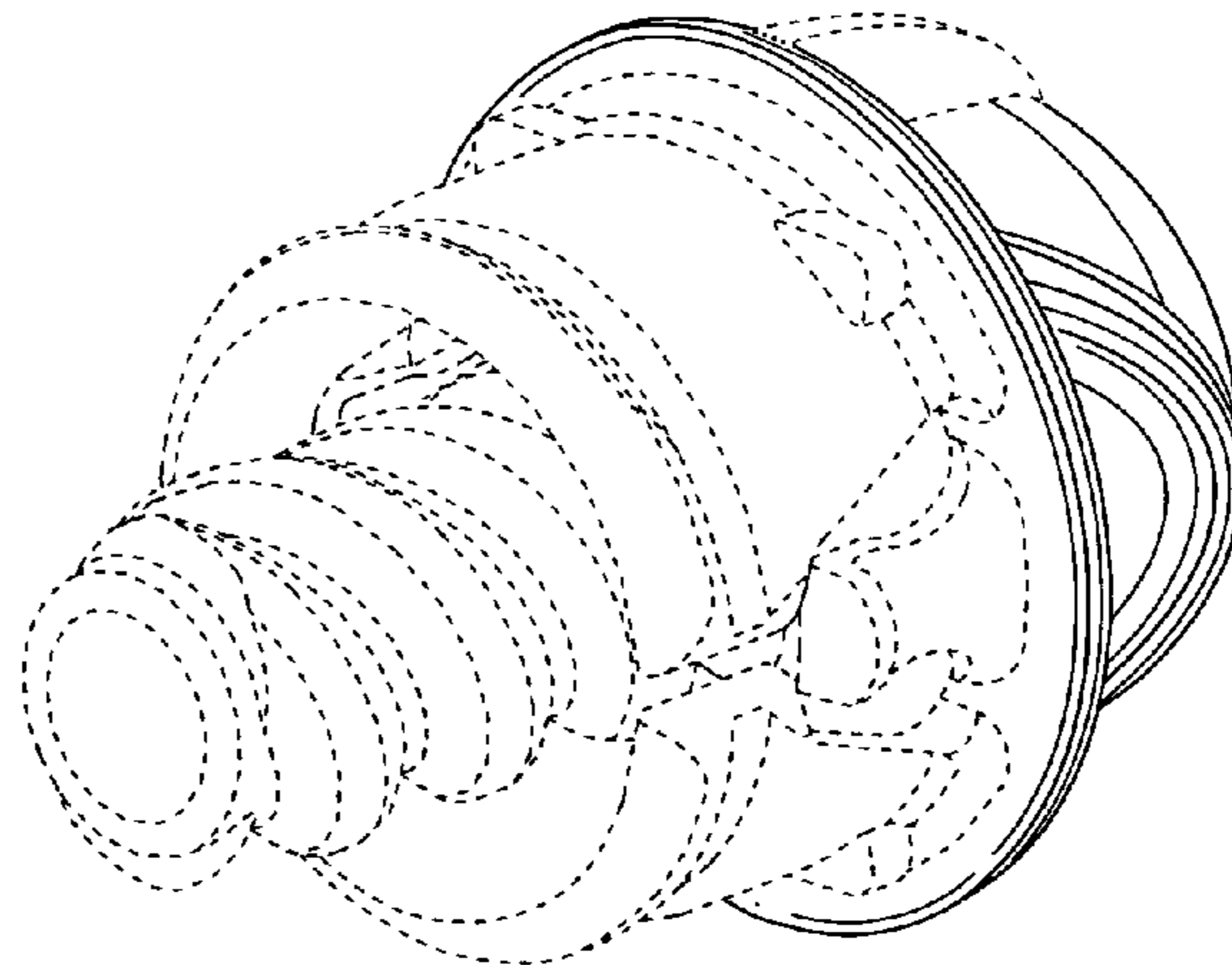
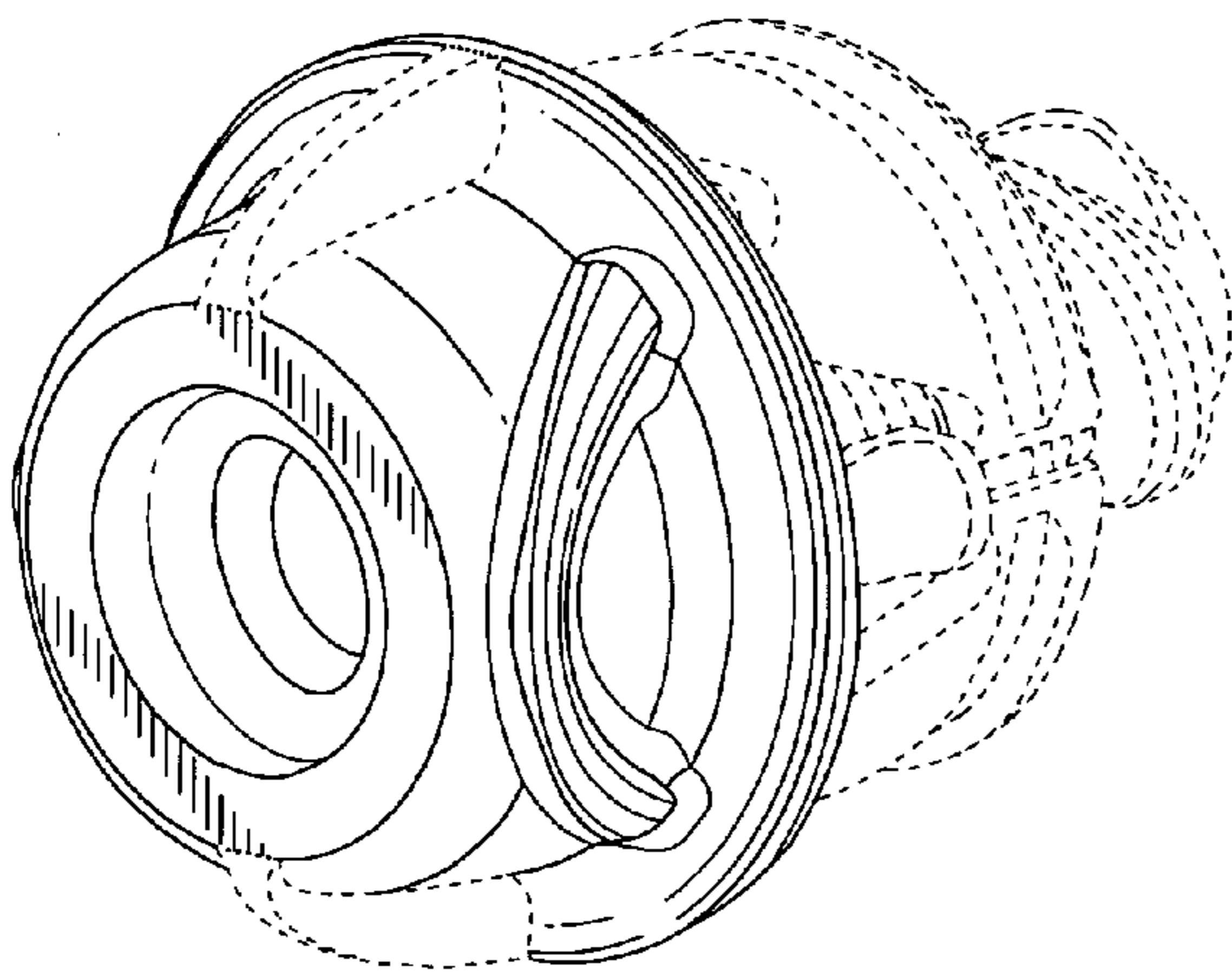
(57) **CLAIM**

The ornamental design for an adjustable forehead support dial for respiratory mask, as shown and described.

DESCRIPTION

FIG. 1 is a front perspective view of an adjustable forehead support dial for respiratory mask according to our design; FIG. 2 is a reverse perspective view thereof; FIG. 3 is a front view thereof; FIG. 4 is a rear view thereof; FIG. 5 is a top view thereof with the bottom view thereof being identical thereto; and, FIG. 6 is a left side view thereof with the right side view thereof being identical thereto. The broken lines shown throughout the views represent the portions of the adjustable forehead support dial for respiratory mask, which form no part of the claimed design. The dotted lines represent the border between claimed and unclaimed subject matter and form no part of the claimed design.

1 Claim, 2 Drawing Sheets



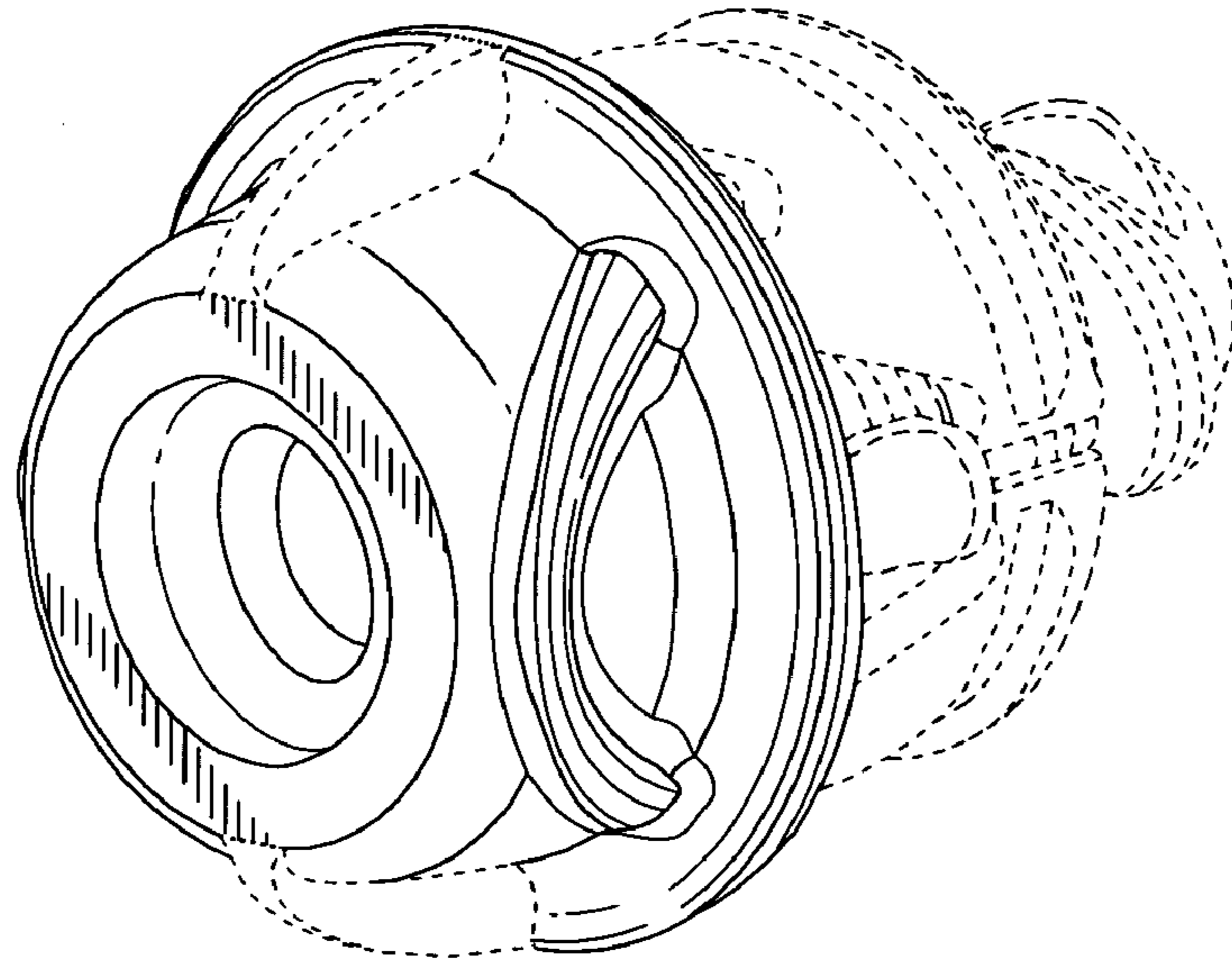


Fig. 1

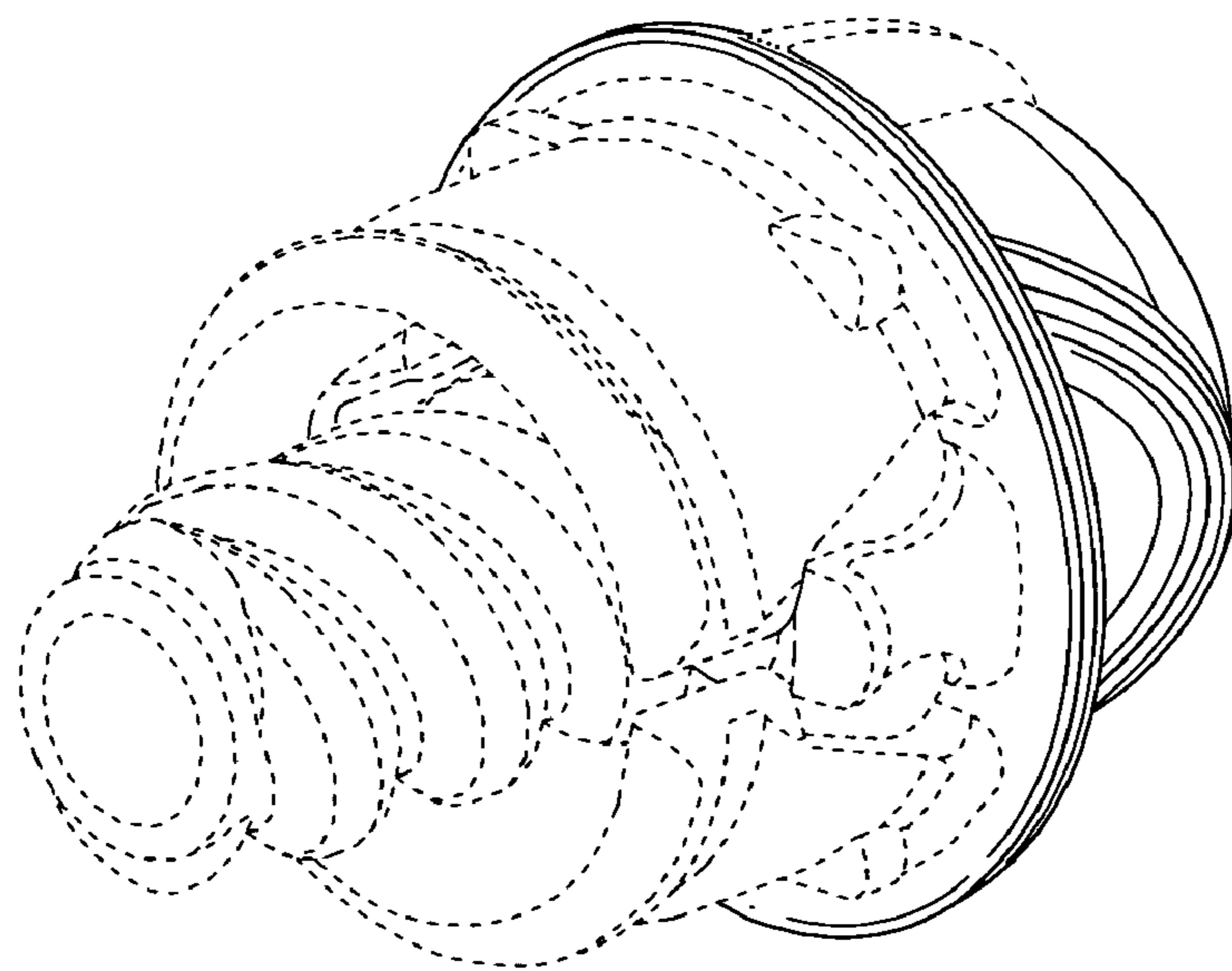


Fig. 2

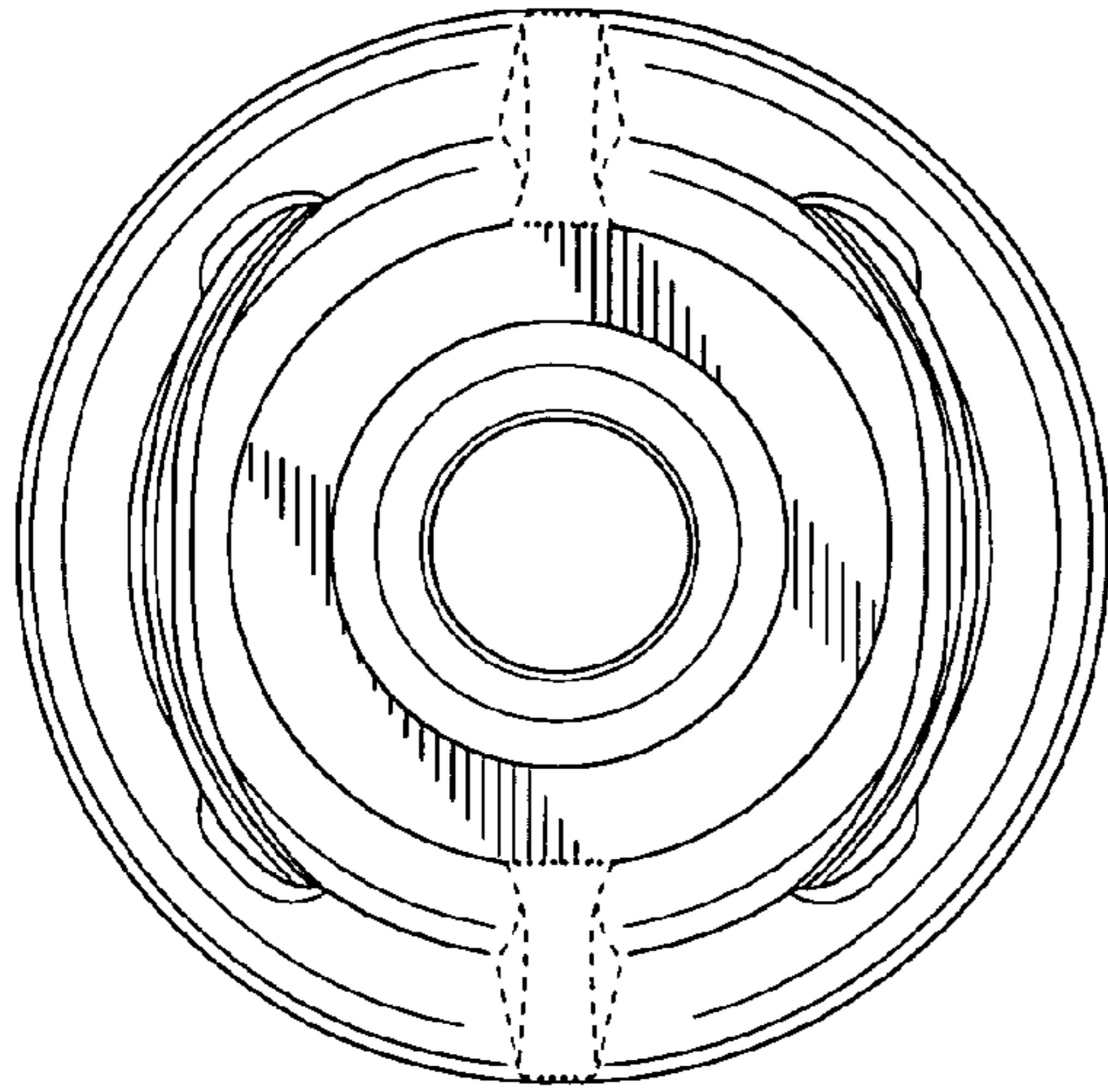


Fig. 3

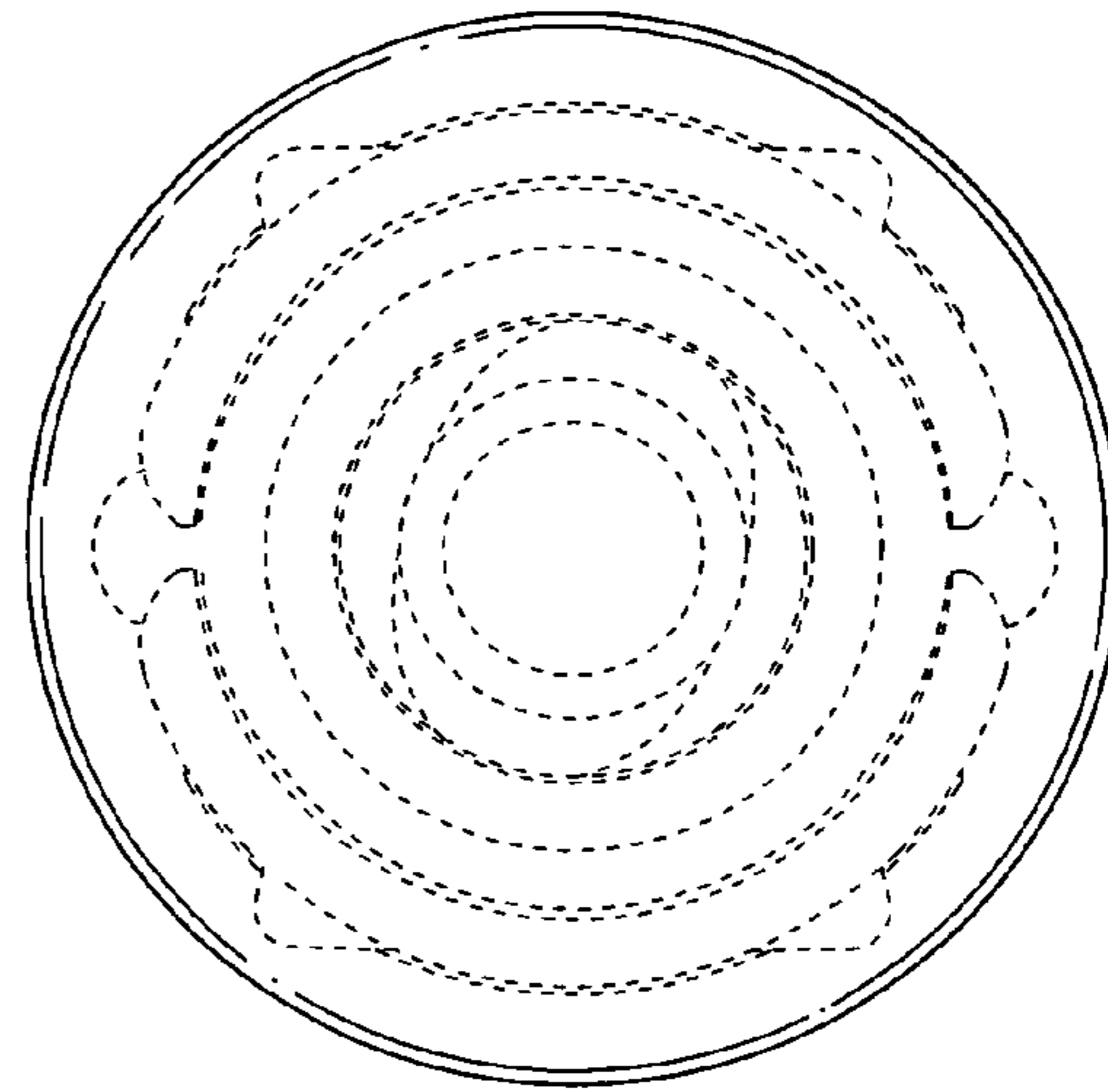


Fig. 4

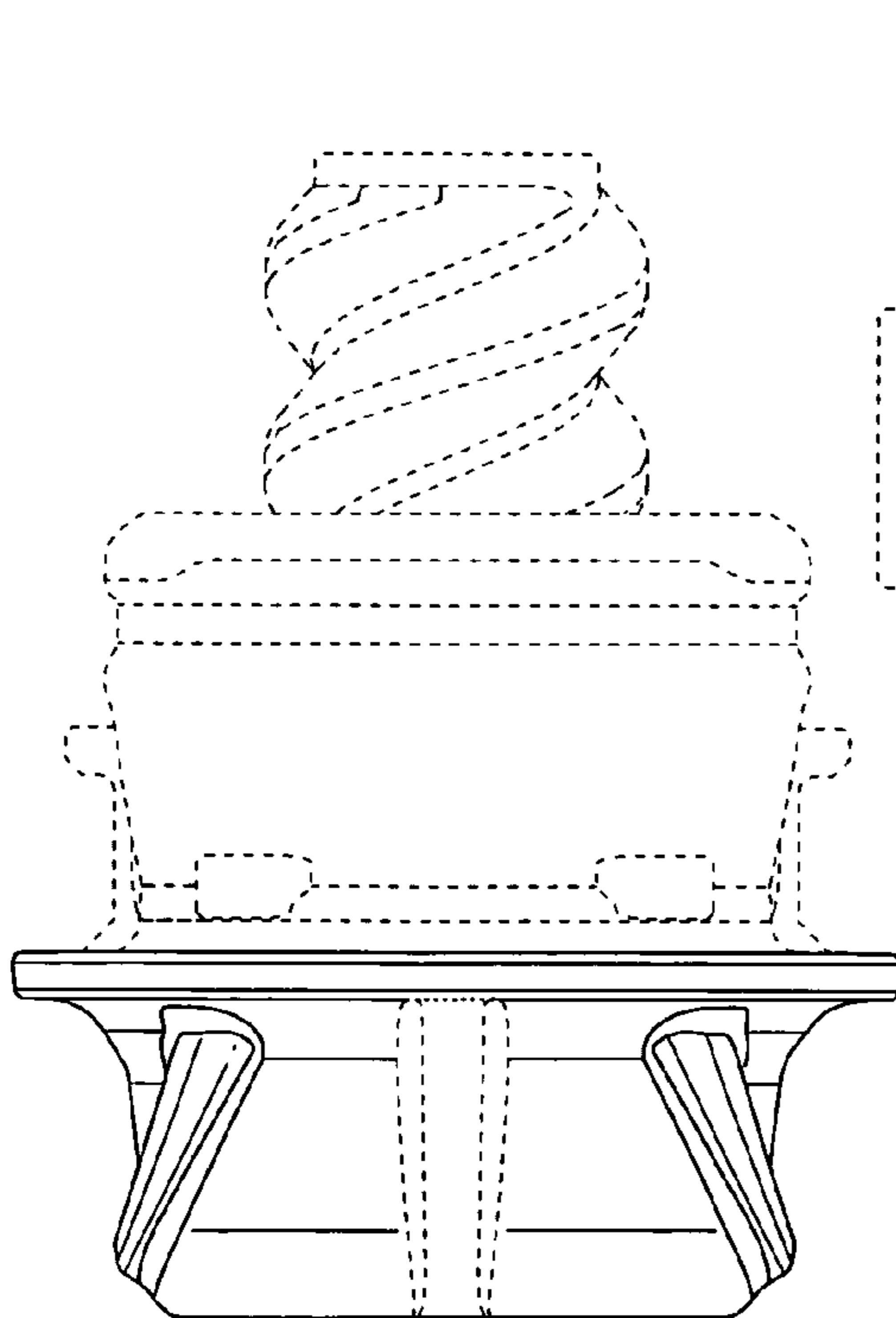


Fig. 5

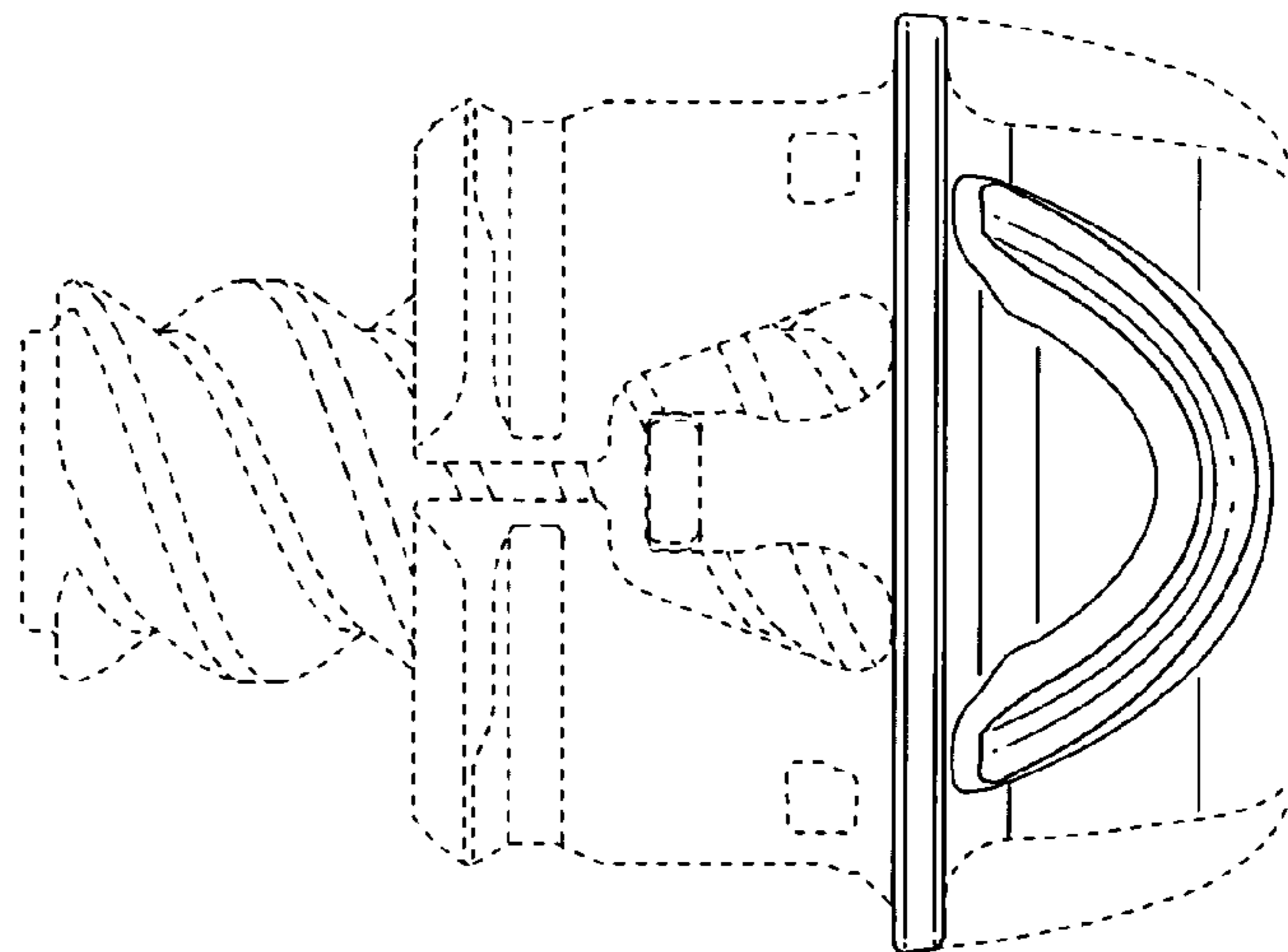


Fig. 6