



US00D677772S

(12) **United States Design Patent**  
**Mendoza et al.**

(10) **Patent No.:** **US D677,772 S**  
(45) **Date of Patent:** **\*\* Mar. 12, 2013**

(54) **LAVATORY**

*Primary Examiner* — Robert Delehanty

(75) Inventors: **Lea Mari Mendoza**, Morrow, GA (US);  
**Steven Chen**, Morrow, GA (US);  
**Mitsuya Obara**, Morrow, GA (US)

(74) *Attorney, Agent, or Firm* — Banner & Witcoff, Ltd.

(73) Assignee: **Toto Ltd.** (JP)

(57) **CLAIM**

The ornamental design for a lavatory, as shown and described.

(\*\*) Term: **14 Years**

(21) Appl. No.: **29/415,250**

**DESCRIPTION**

(22) Filed: **Mar. 8, 2012**

(51) **LOC (9) Cl.** ..... **23-02**

(52) **U.S. Cl.** ..... **D23/293.1**

(58) **Field of Classification Search** ..... D23/284,  
D23/287, 293.1; 4/619, 656, 637  
See application file for complete search history.

FIG. 1 is a perspective view of front, top and right side of a lavatory according to our new design;  
FIG. 2 is a front view thereof;  
FIG. 3 is a rear view thereof;  
FIG. 4 is a left side view thereof;  
FIG. 5 is a right side view thereof;  
FIG. 6 is a top view thereof;  
FIG. 7 is a bottom view thereof;  
FIG. 8 is a front cross sectional view at 8-8 thereof; and,  
FIG. 9 is a side cross sectional view at 9-9 thereof.

The portions of the article in broken lines are shown for illustrative purposes only and form no part of the claimed design.

(56) **References Cited**

**U.S. PATENT DOCUMENTS**

D494,664 S \* 8/2004 Arnold ..... D23/293.1  
D603,025 S \* 10/2009 Mahon ..... D23/284

\* cited by examiner

**1 Claim, 9 Drawing Sheets**

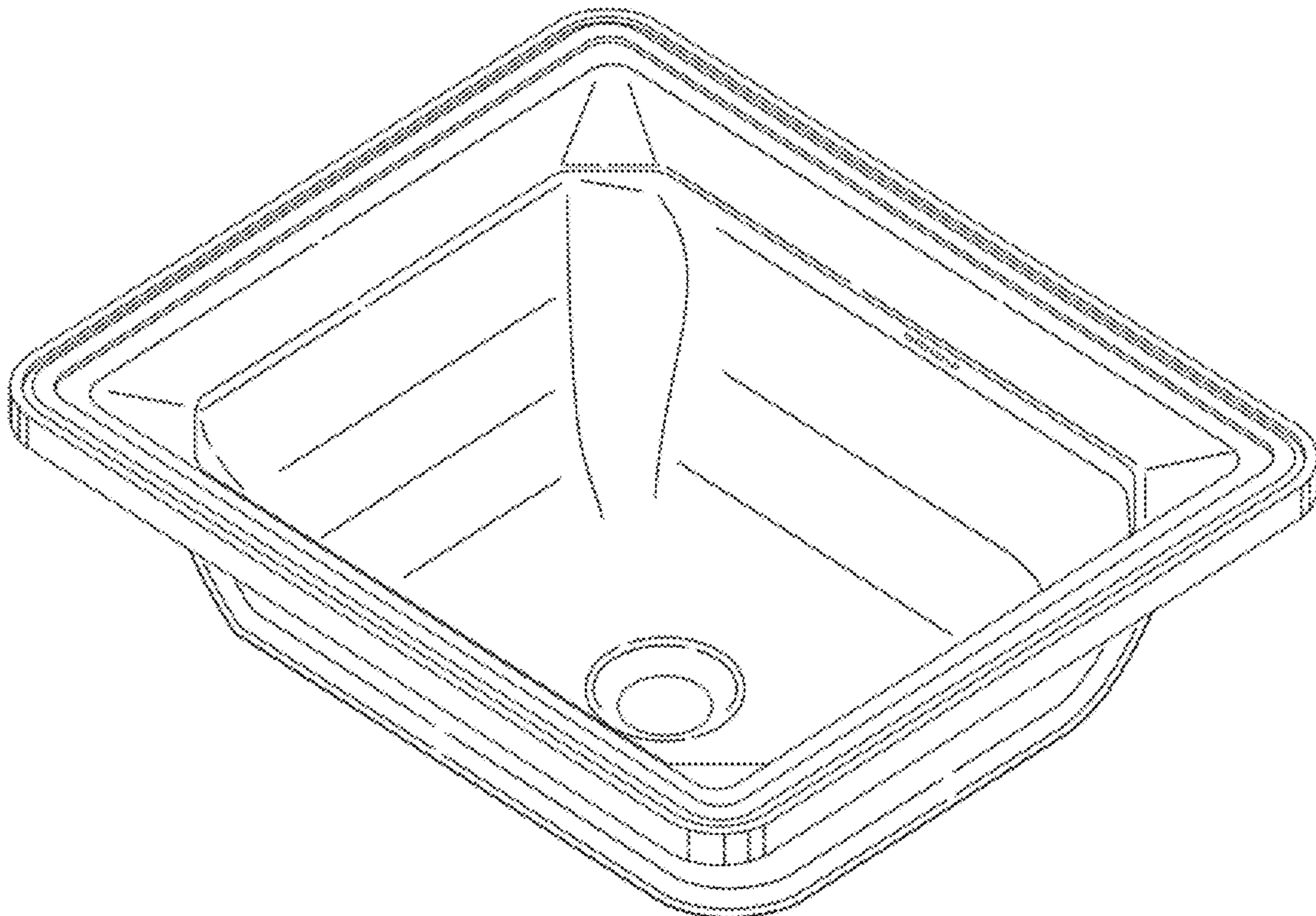


Fig. 1

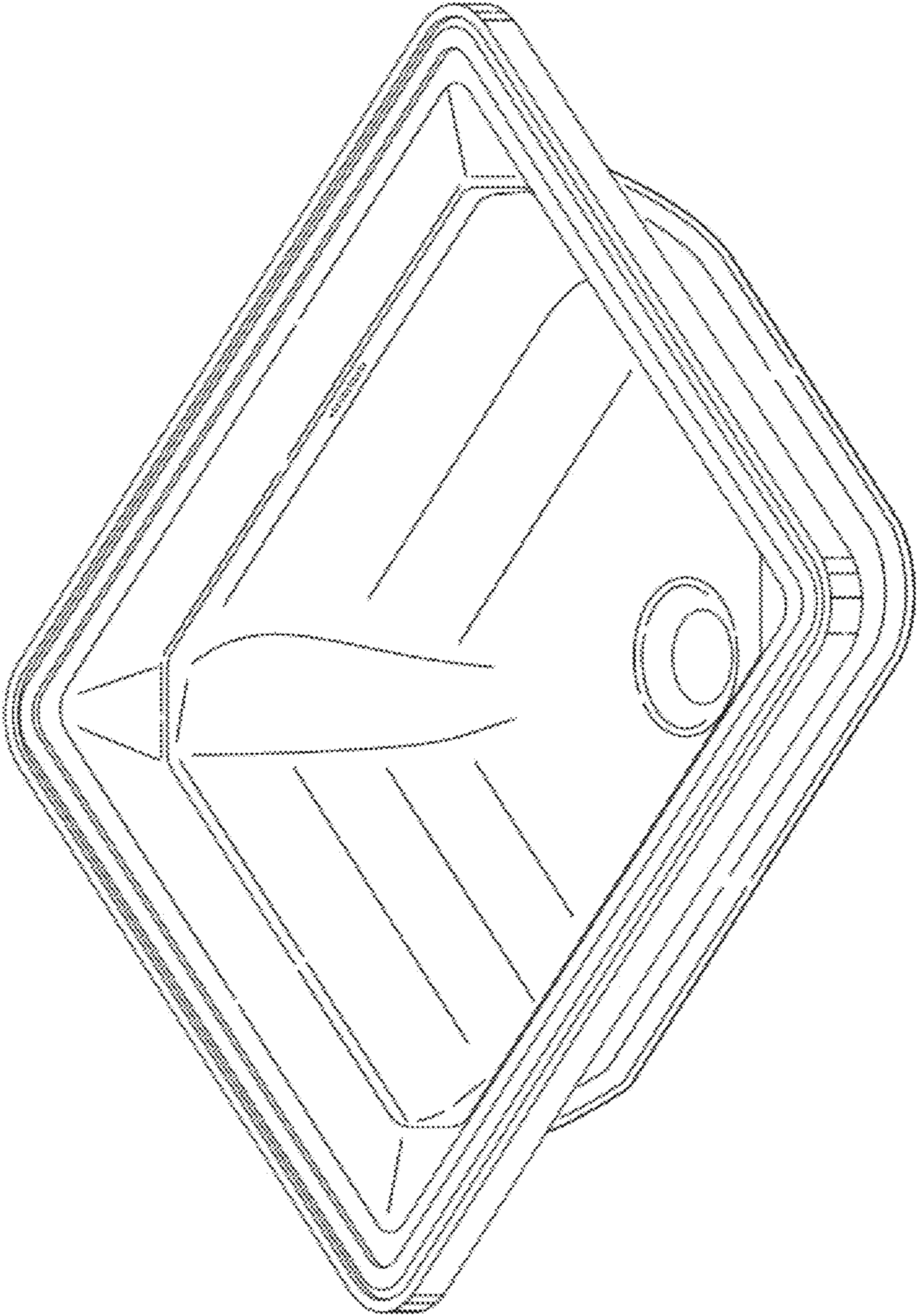


Fig. 2

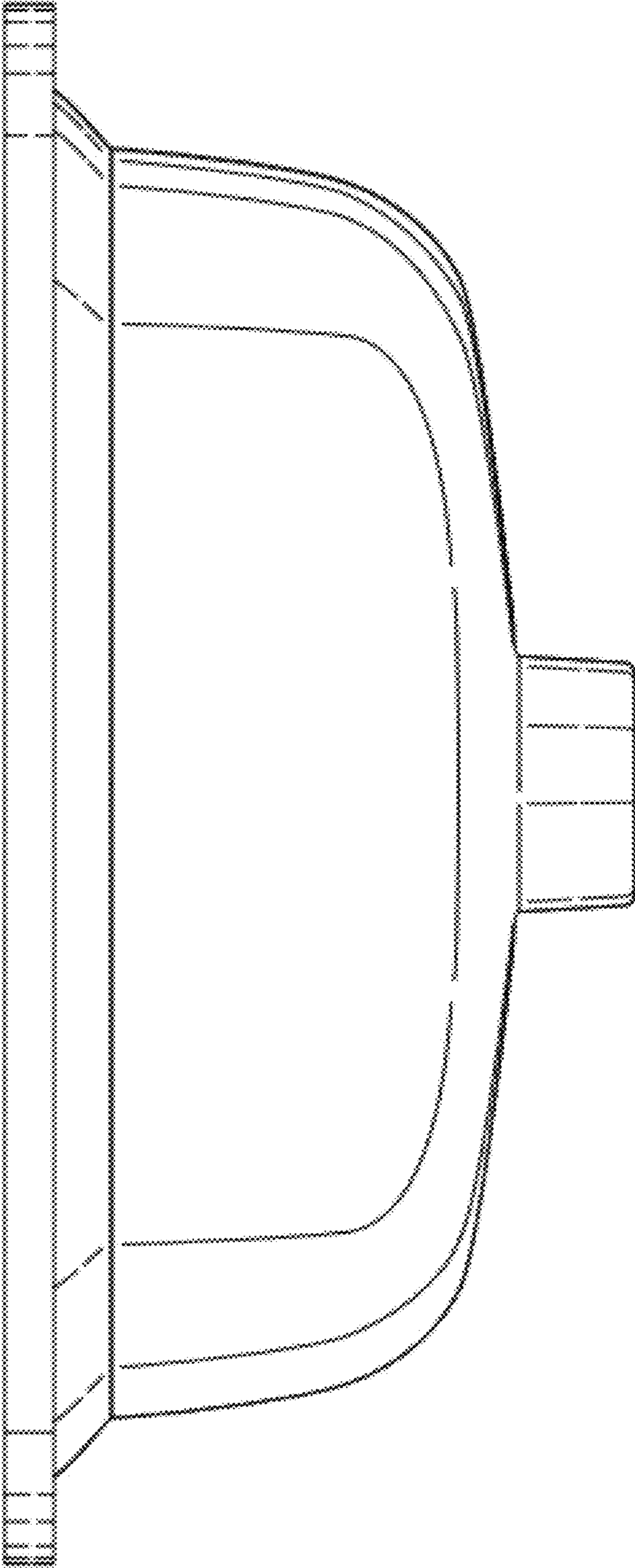


Fig. 3

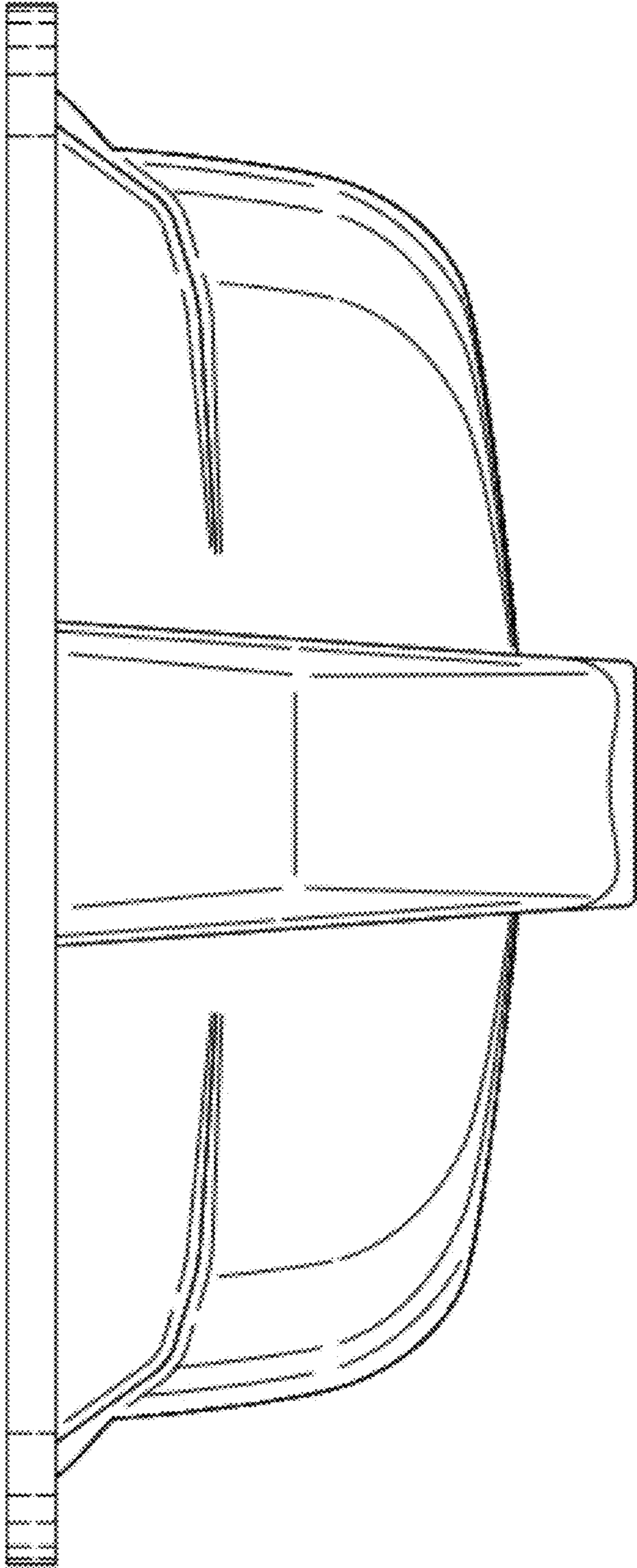


Fig. 4

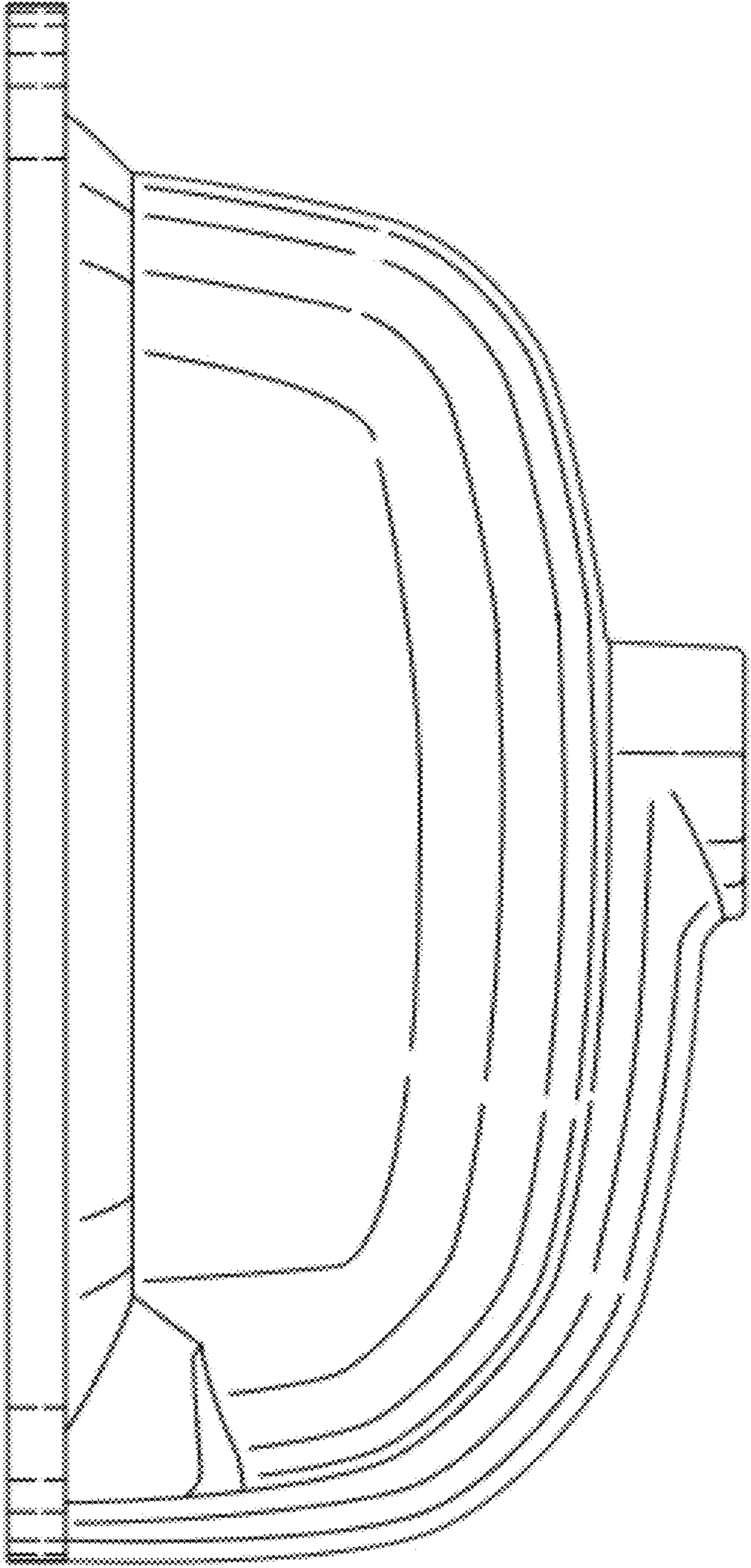
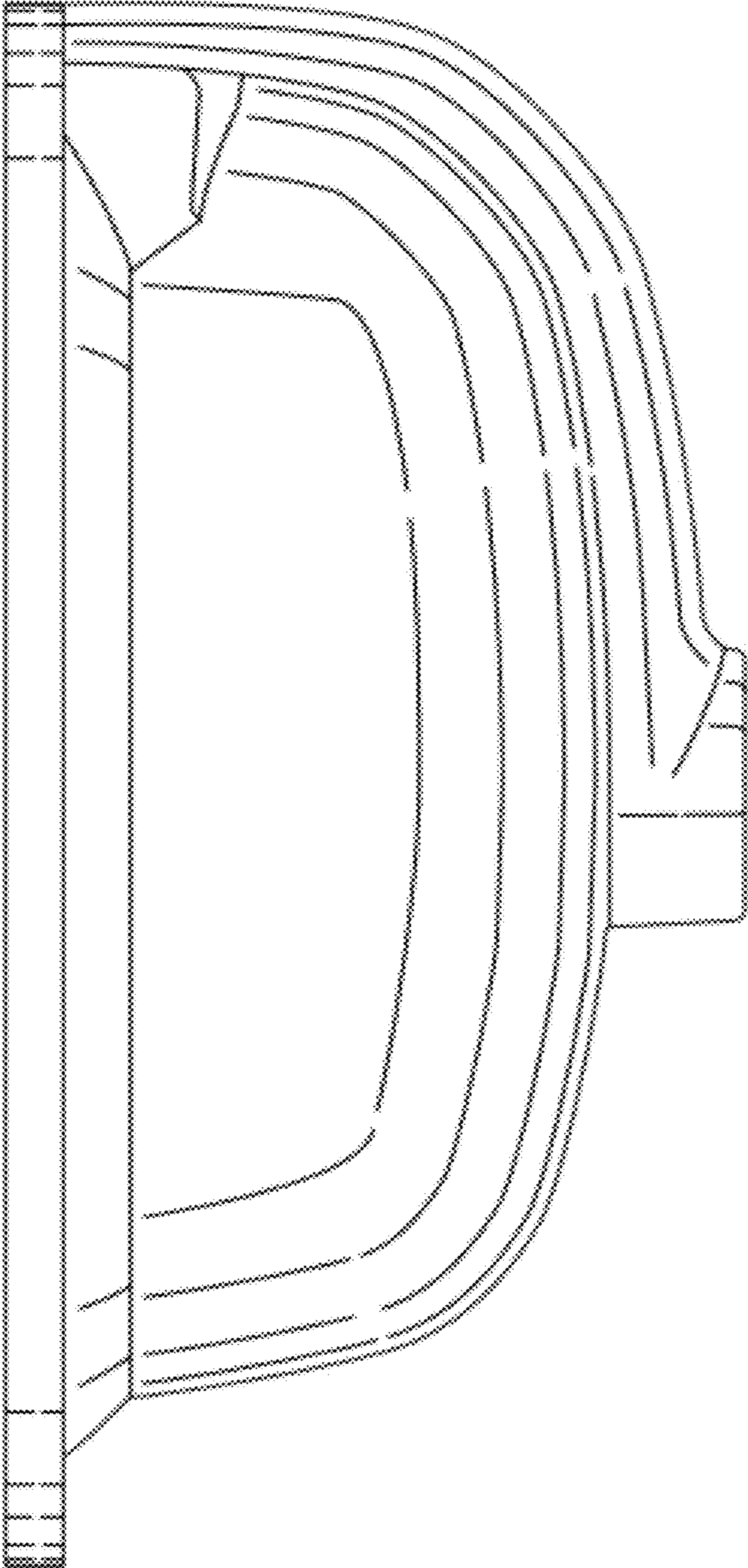


Fig. 5



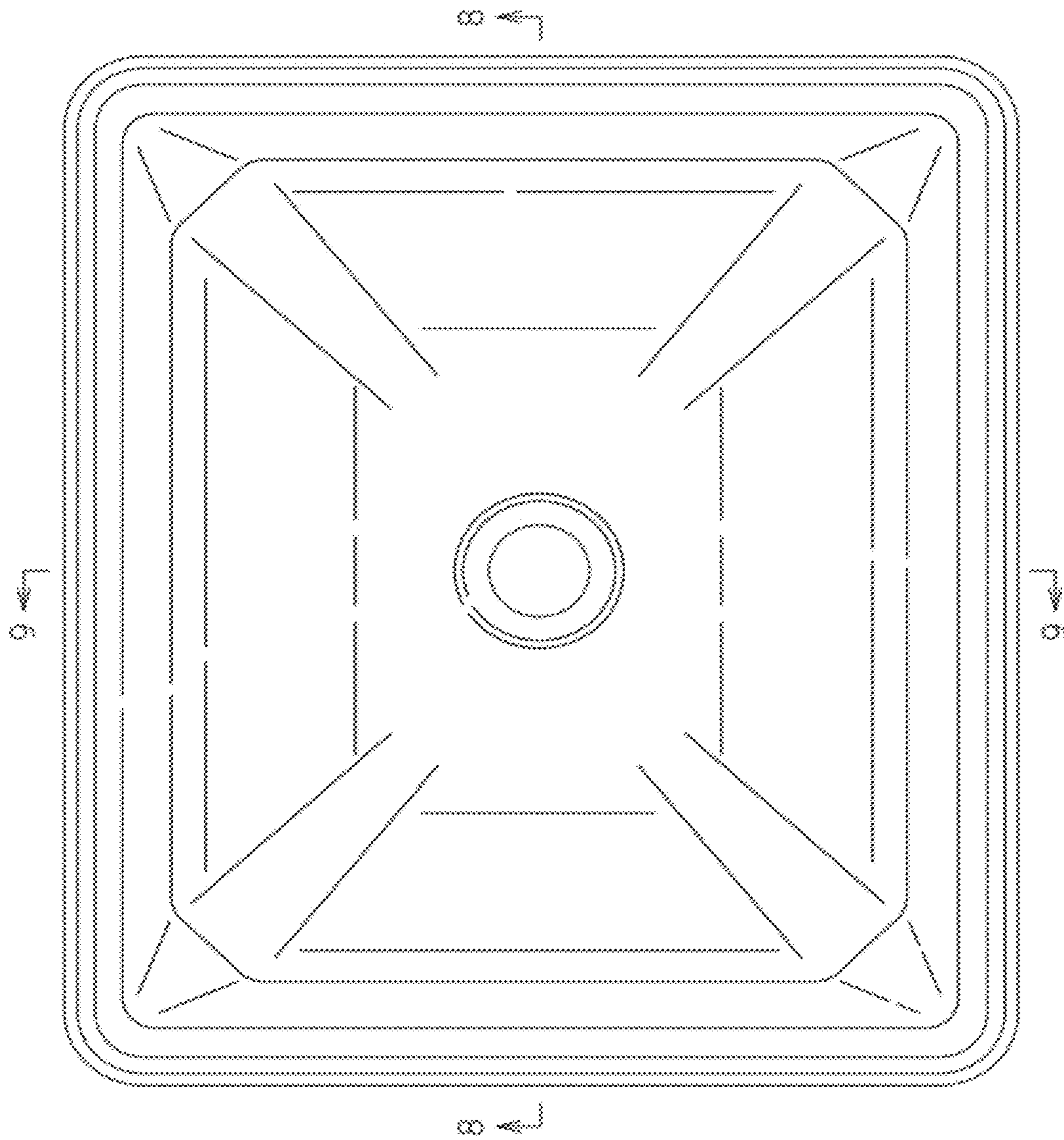


Fig. 6

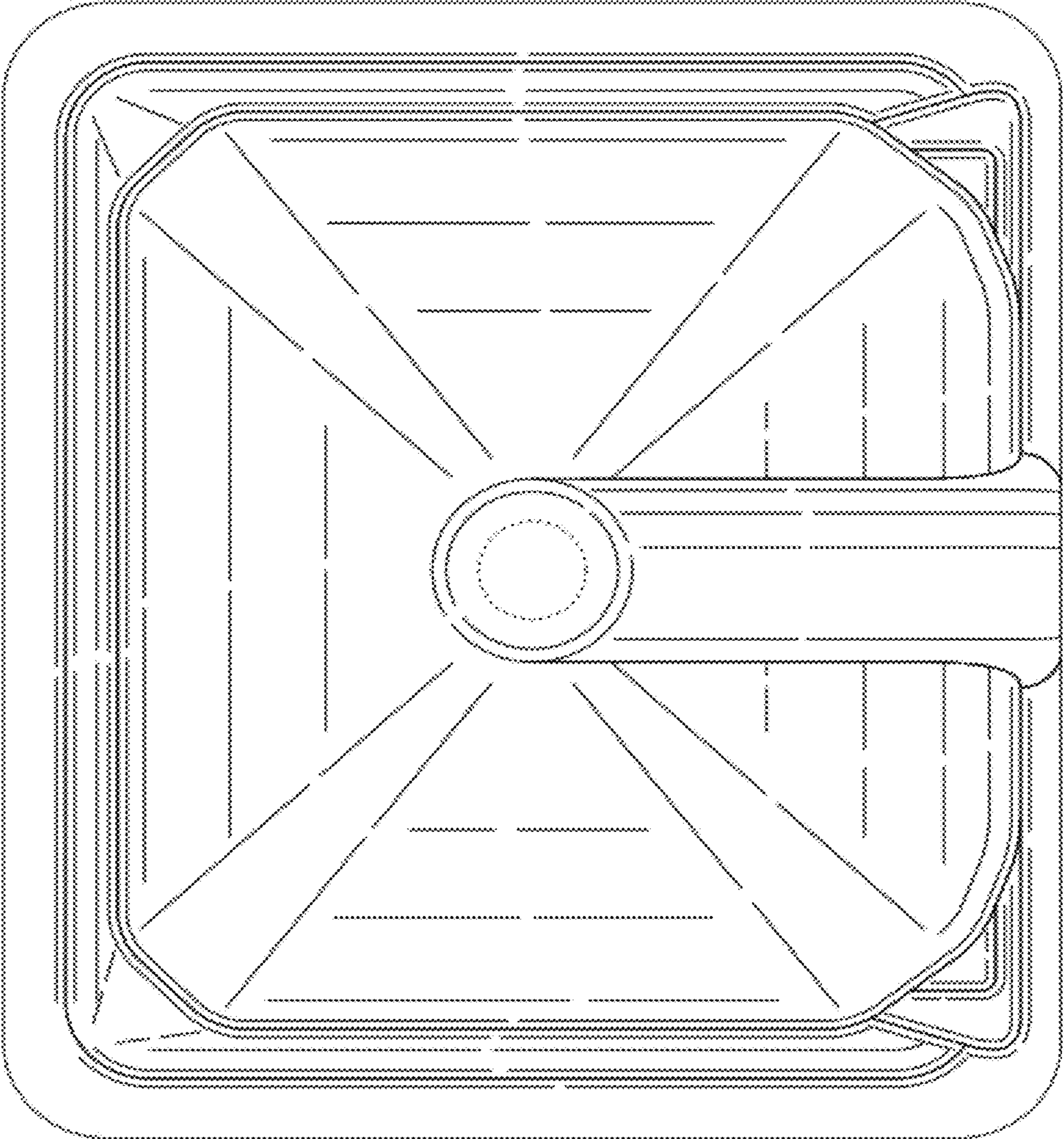


Fig. 7



Fig. 8

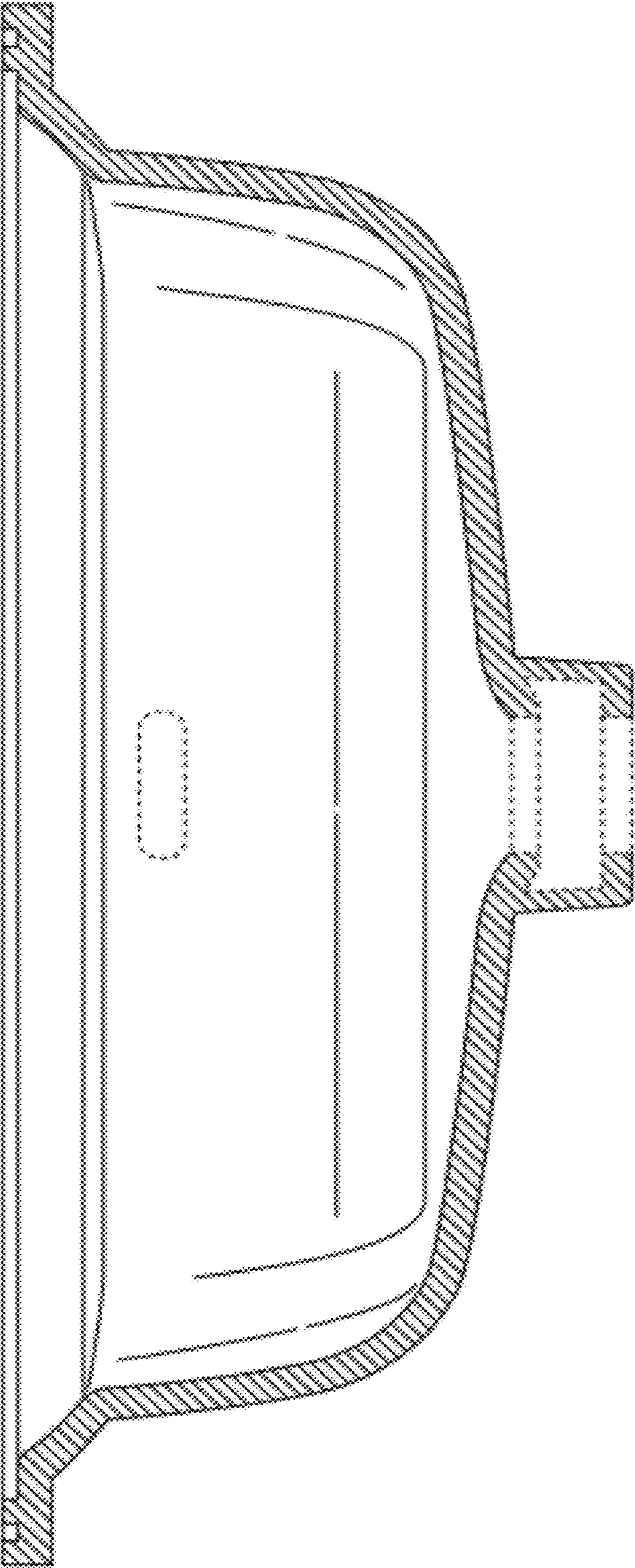


Fig. 9

