



US00D677770S

(12) **United States Design Patent**  
**Yoshioka et al.**

(10) **Patent No.:** **US D677,770 S**  
(45) **Date of Patent:** **\*\* Mar. 12, 2013**

(54) **LAVATORY**

*Primary Examiner* — Robert Delehanty

(74) *Attorney, Agent, or Firm* — Banner & Witcoff, Ltd.

(75) Inventors: **Yuji Yoshioka**, Fukuoka (JP); **Hajime Kakihana**, Fukuoka (JP)

(73) Assignee: **Toto Ltd.** (JP)

(57) **CLAIM**

The ornamental design for a lavatory, as shown and described.

(\*\*) Term: **14 Years**

(21) Appl. No.: **29/414,726**

**DESCRIPTION**

(22) Filed: **Mar. 2, 2012**

(51) **LOC (9) Cl.** ..... **23-02**

(52) **U.S. Cl.** ..... **D23/293.1**

(58) **Field of Classification Search** ..... D23/284,  
D23/287, 293.1, 308; 4/619, 656, 637  
See application file for complete search history.

FIG. 1 is a perspective view of front, top and right side of a lavatory according to our new design;  
FIG. 2 is a perspective view of rear, top and left side thereof;  
FIG. 3 is a front view thereof;  
FIG. 4 is a rear view thereof;  
FIG. 5 is a left side view thereof;  
FIG. 6 is a right side view thereof;  
FIG. 7 is a top view thereof;  
FIG. 8 is a bottom view thereof;  
FIG. 9 is a cross sectional view at 9-9 thereof; and,  
FIG. 10 is a cross sectional view at 10-10 thereof.

The portions of the article in broken lines are shown for illustrative purposes only and form no part of the claimed design.

(56) **References Cited**

**U.S. PATENT DOCUMENTS**

2,767,407	A	*	10/1956	Weiss	.....	D23/284
D191,432	S	*	10/1961	Chapman	.....	D23/293.1
D506,534	S	*	6/2005	Sutopo	.....	D23/293.1
D538,905	S	*	3/2007	Wano	.....	D23/293.1
D560,779	S	*	1/2008	Zhang et al.	.....	D23/293.1

\* cited by examiner

**1 Claim, 10 Drawing Sheets**

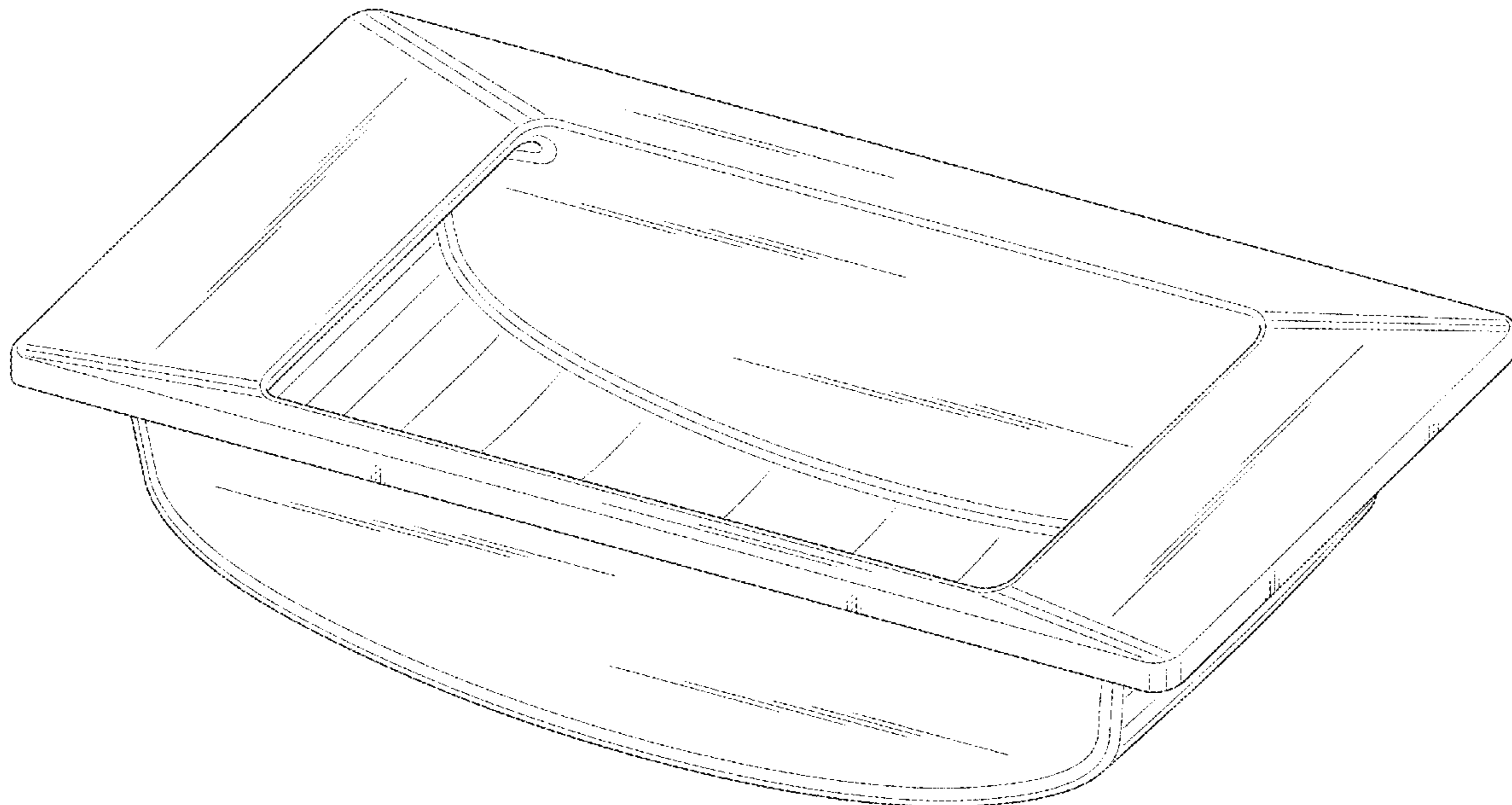
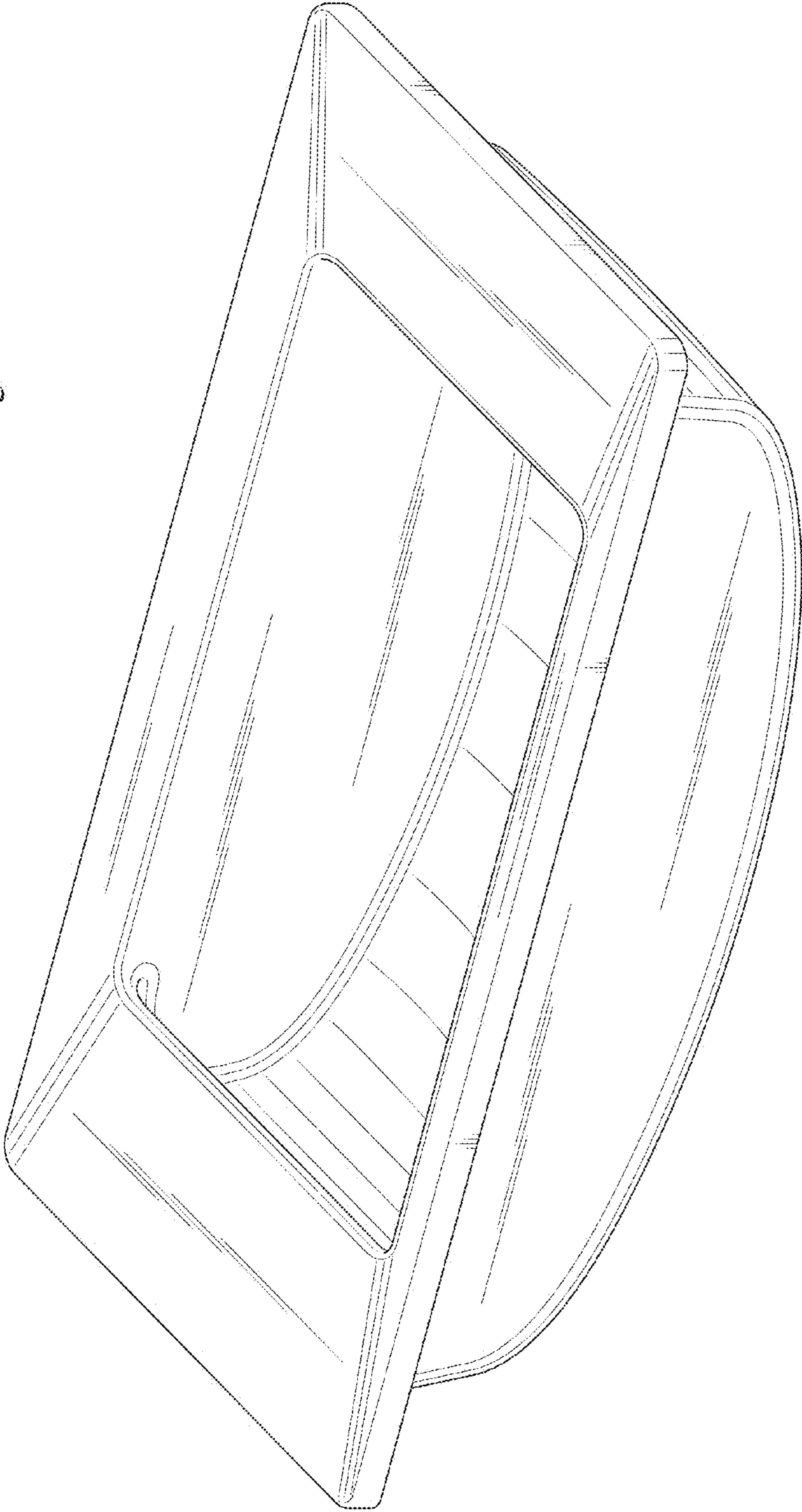


Fig. 1



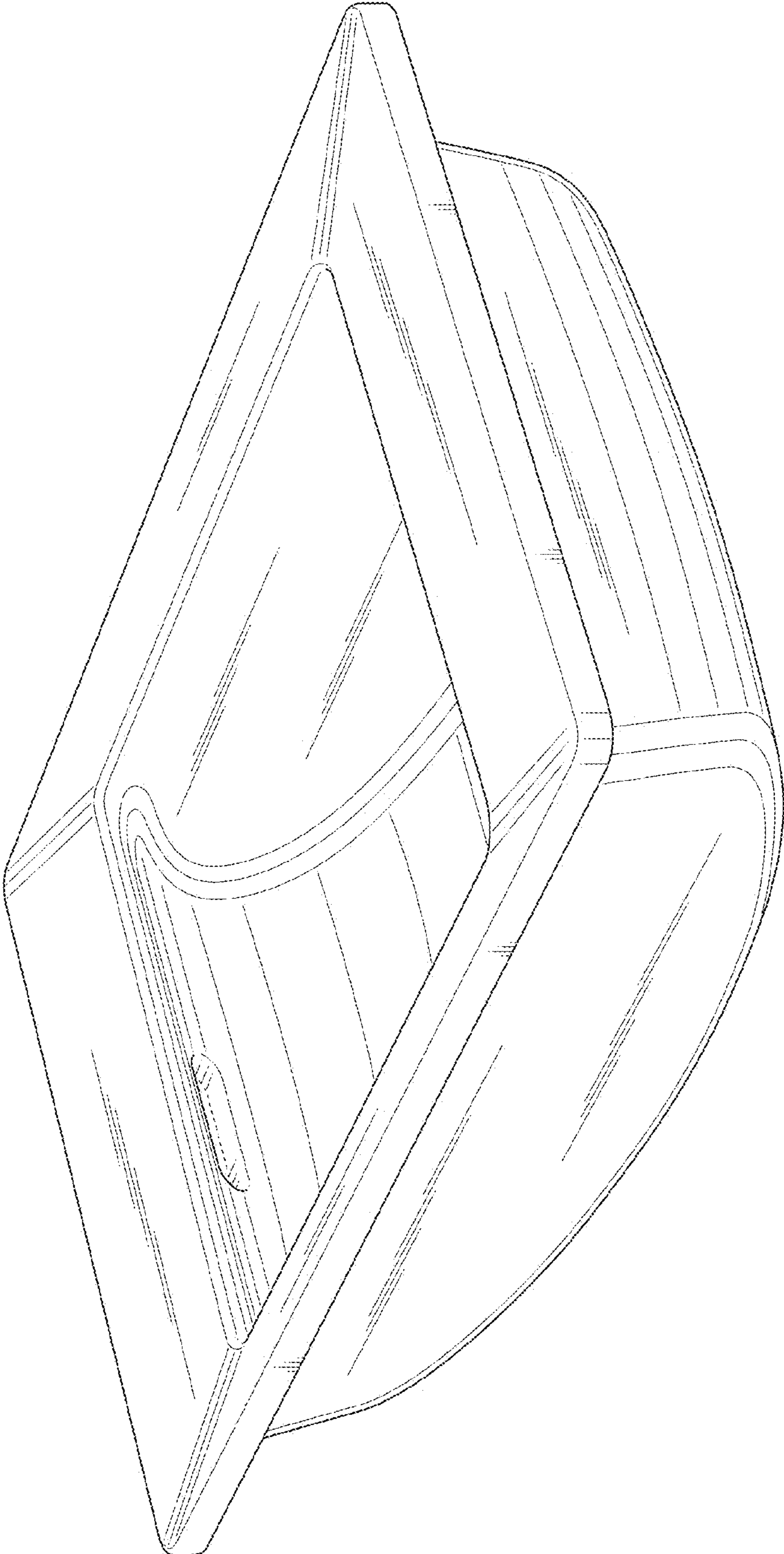


Fig. 2

Fig. 3

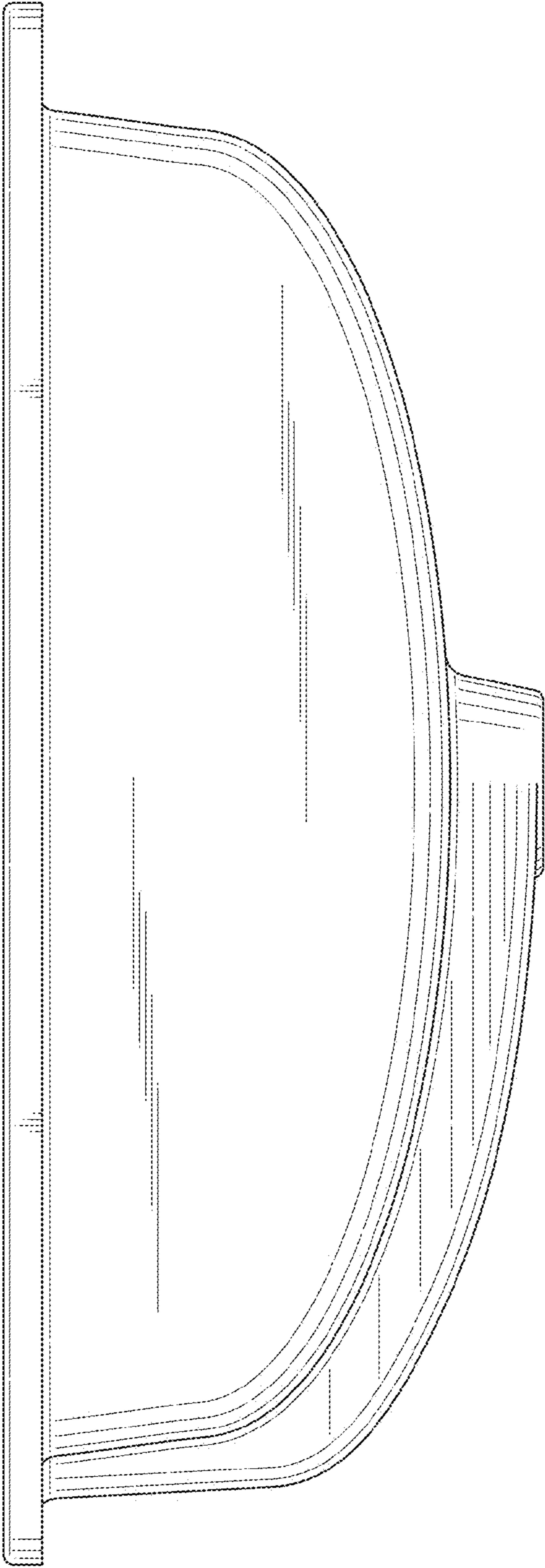


Fig. 4

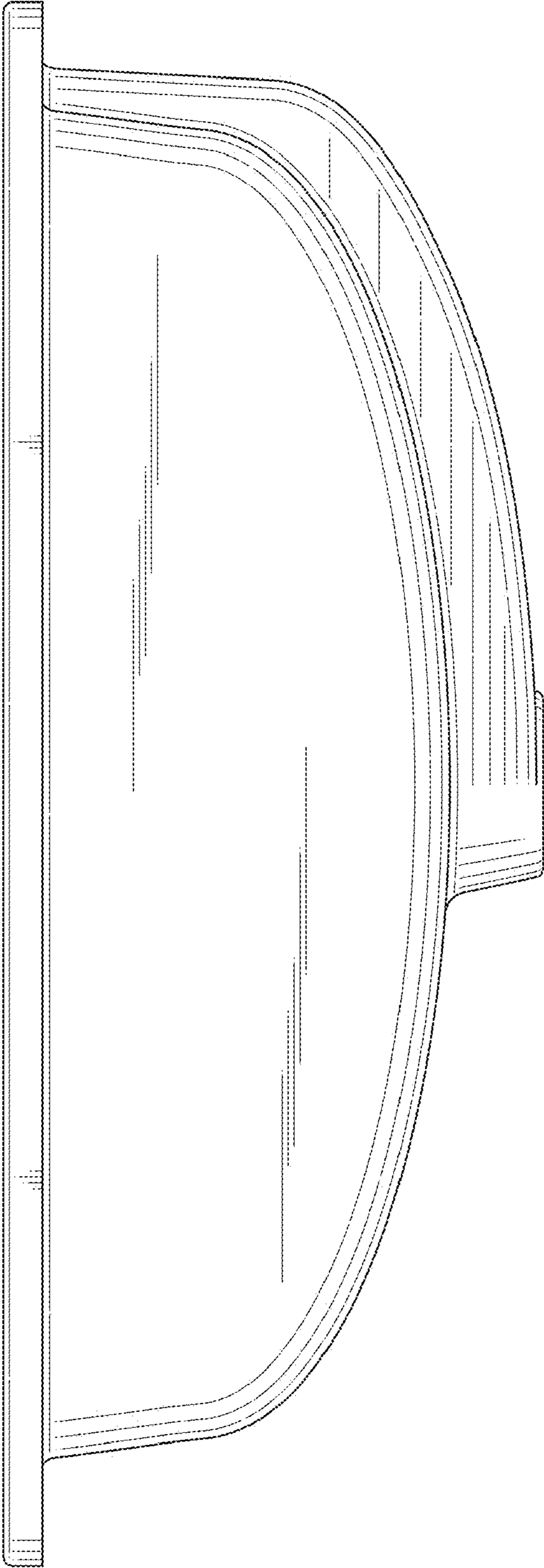


Fig. 5

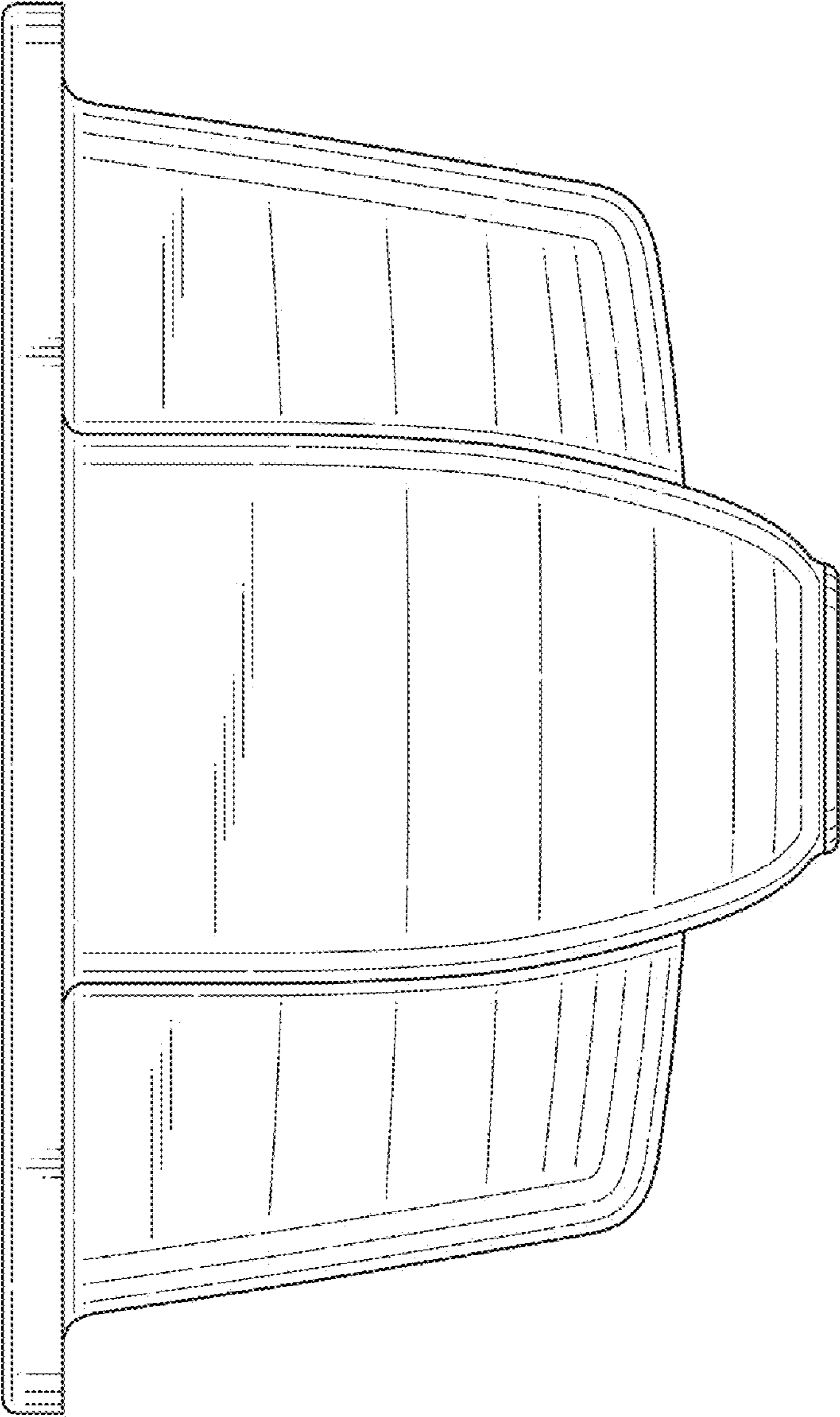


Fig. 6

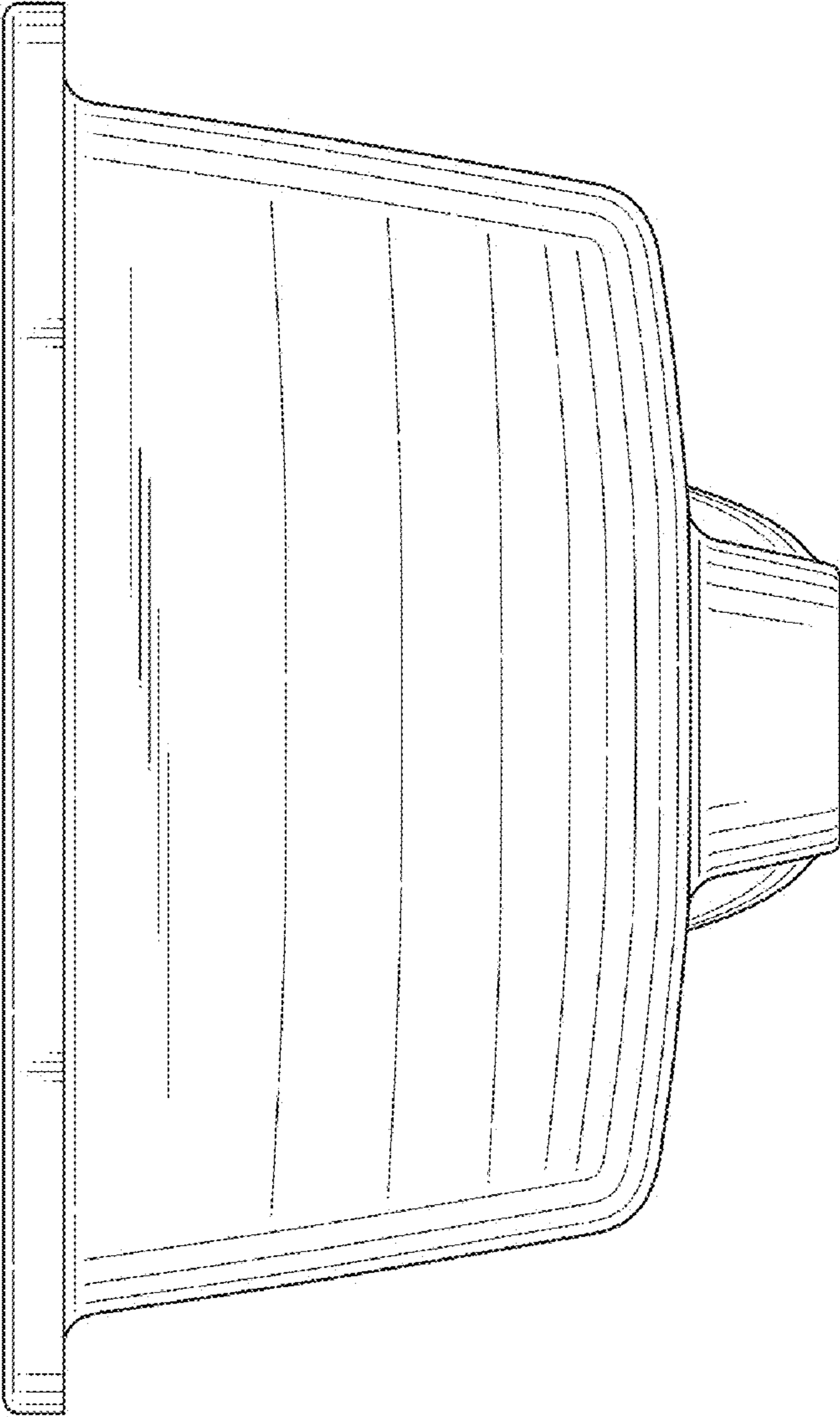
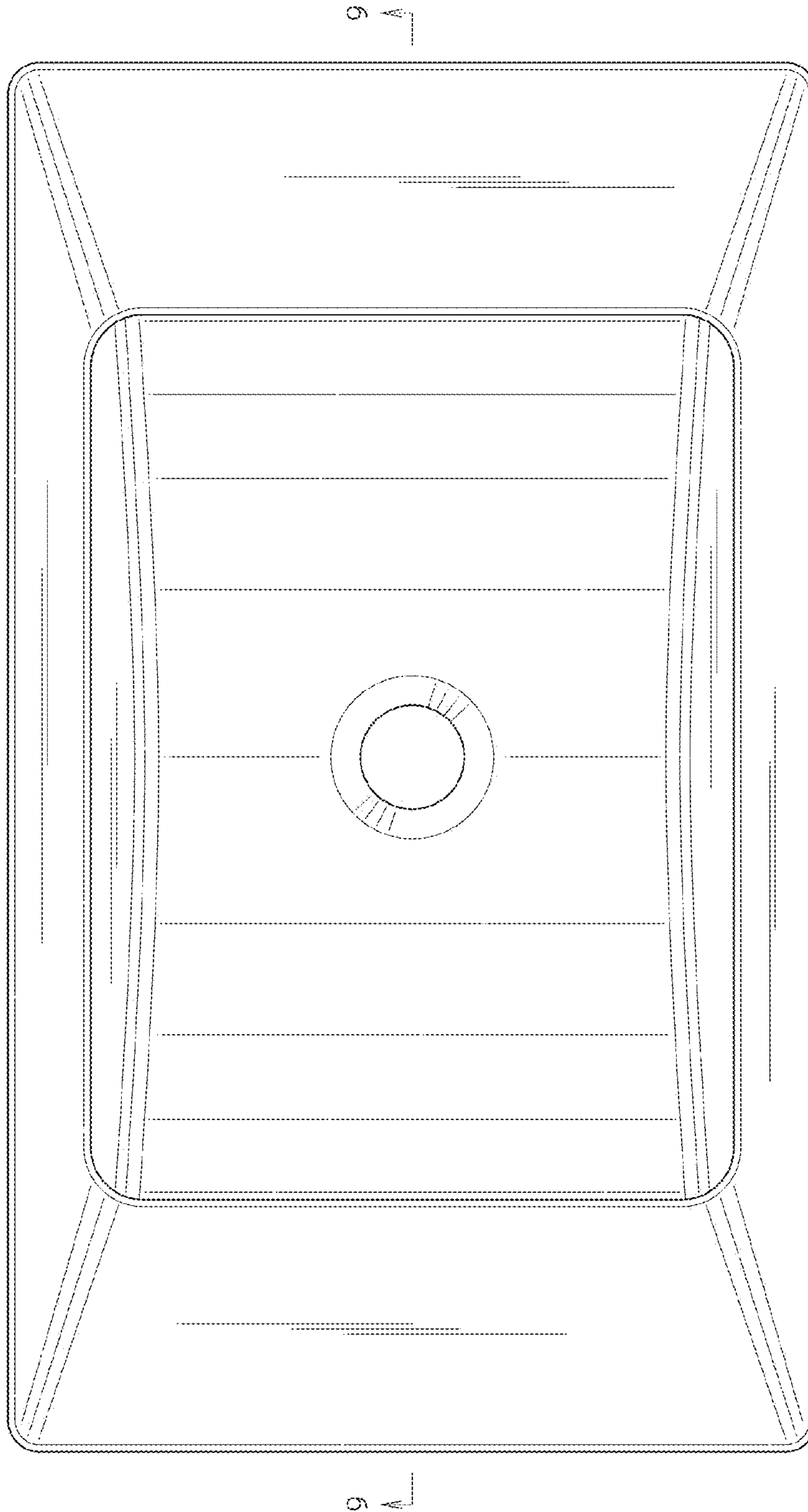


Fig. 7

10



10

9

9



Fig. 8

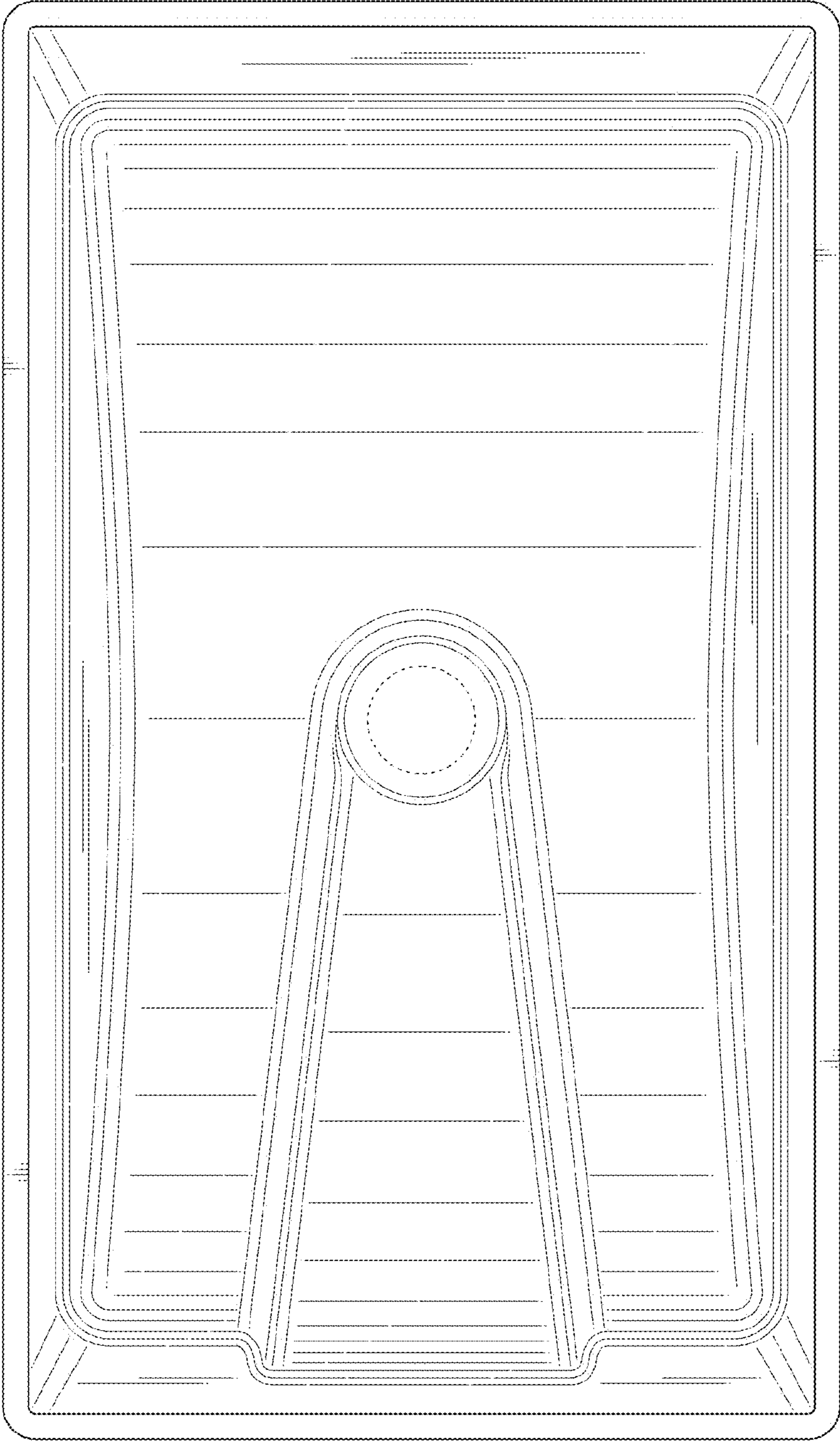


Fig. 9

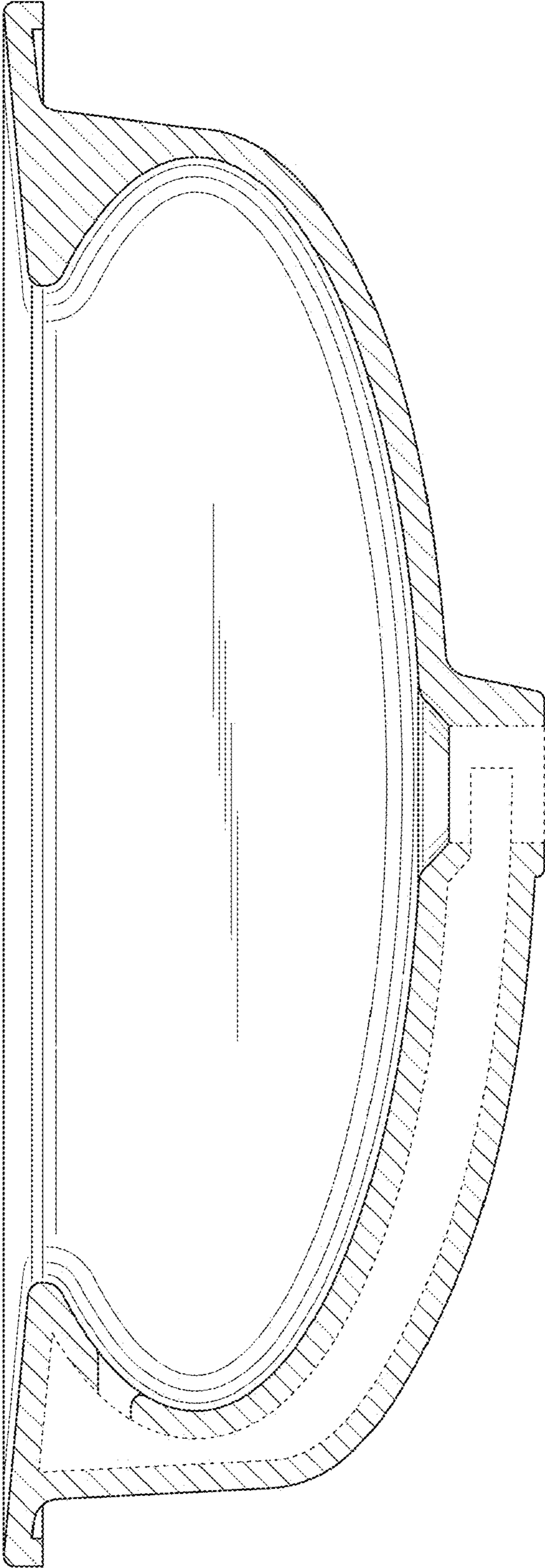


Fig. 10

