



US00D677769S

(12) **United States Design Patent**
Yoshioka et al.

(10) **Patent No.:** **US D677,769 S**
(45) **Date of Patent:** **** Mar. 12, 2013**

(54) **LAVATORY**

(75) Inventors: **Yuji Yoshioka**, Fukuoka (JP); **Hajime Kakahana**, Fukuoka (JP)

(73) Assignee: **Toto Ltd.** (JP)

(**) Term: **14 Years**

(21) Appl. No.: **29/414,706**

(22) Filed: **Mar. 2, 2012**

(51) **LOC (9) Cl.** **23-02**

(52) **U.S. Cl.** **D23/293.1**

(58) **Field of Classification Search** D23/284,
D23/287, 293.1, 308; 4/619, 656, 637
See application file for complete search history.

(56) **References Cited**

U.S. PATENT DOCUMENTS

D412,204 S *	7/1999	Slothower et al.	D23/284
D615,173 S *	5/2010	Arets	D23/295
D624,163 S *	9/2010	Kakahana et al.	D23/293.1
D657,029 S *	4/2012	De Giulio	D23/284

* cited by examiner

Primary Examiner — Robert Delehanty

(74) *Attorney, Agent, or Firm* — Banner & Witcoff, Ltd.

(57) **CLAIM**

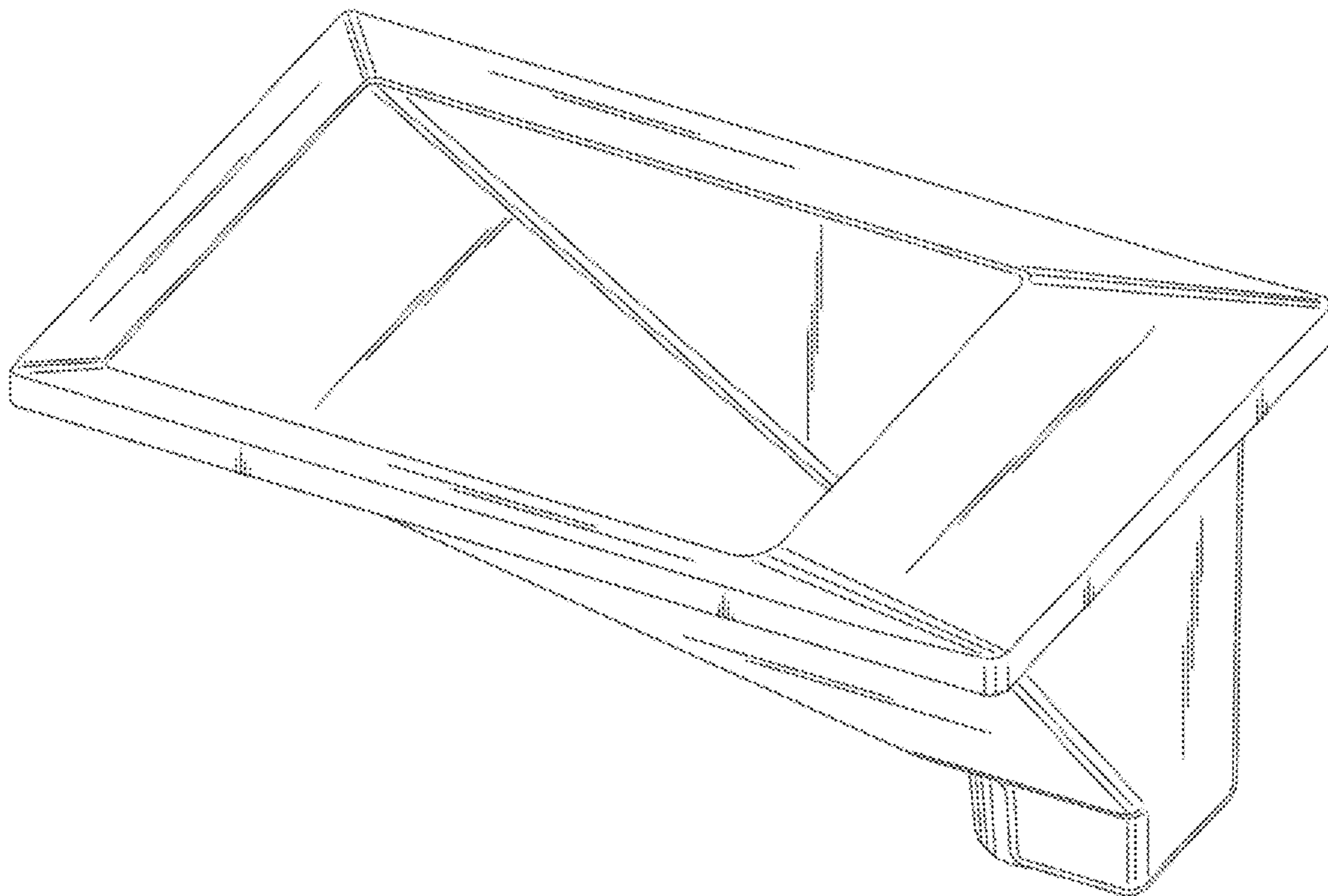
The ornamental design for a lavatory, as shown and described.

DESCRIPTION

FIG. 1 is a perspective view of front, top and right side of a lavatory according to our new design; FIG. 2 is a perspective view of rear, top and left side thereof; FIG. 3 is a front view thereof; FIG. 4 is a rear view thereof; FIG. 5 is a left side view thereof; FIG. 6 is a right side view thereof; FIG. 7 is a top view thereof; FIG. 8 is a bottom view thereof; and, FIG. 9 is a cross sectional view at 9-9 thereof.

The portions of the article in broken lines are shown for illustrative purposes only and form no part of the claimed design.

1 Claim, 9 Drawing Sheets



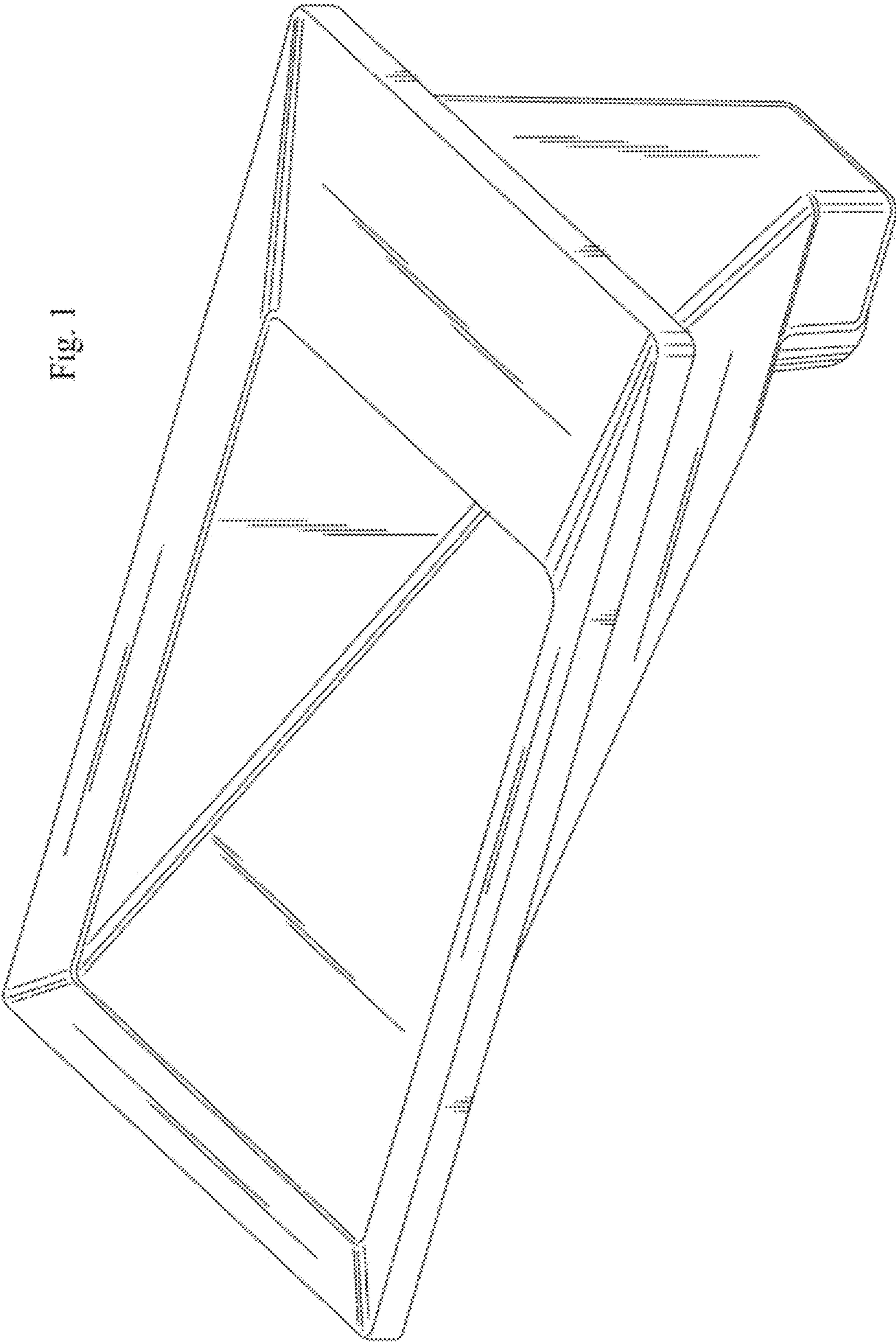


Fig. 1

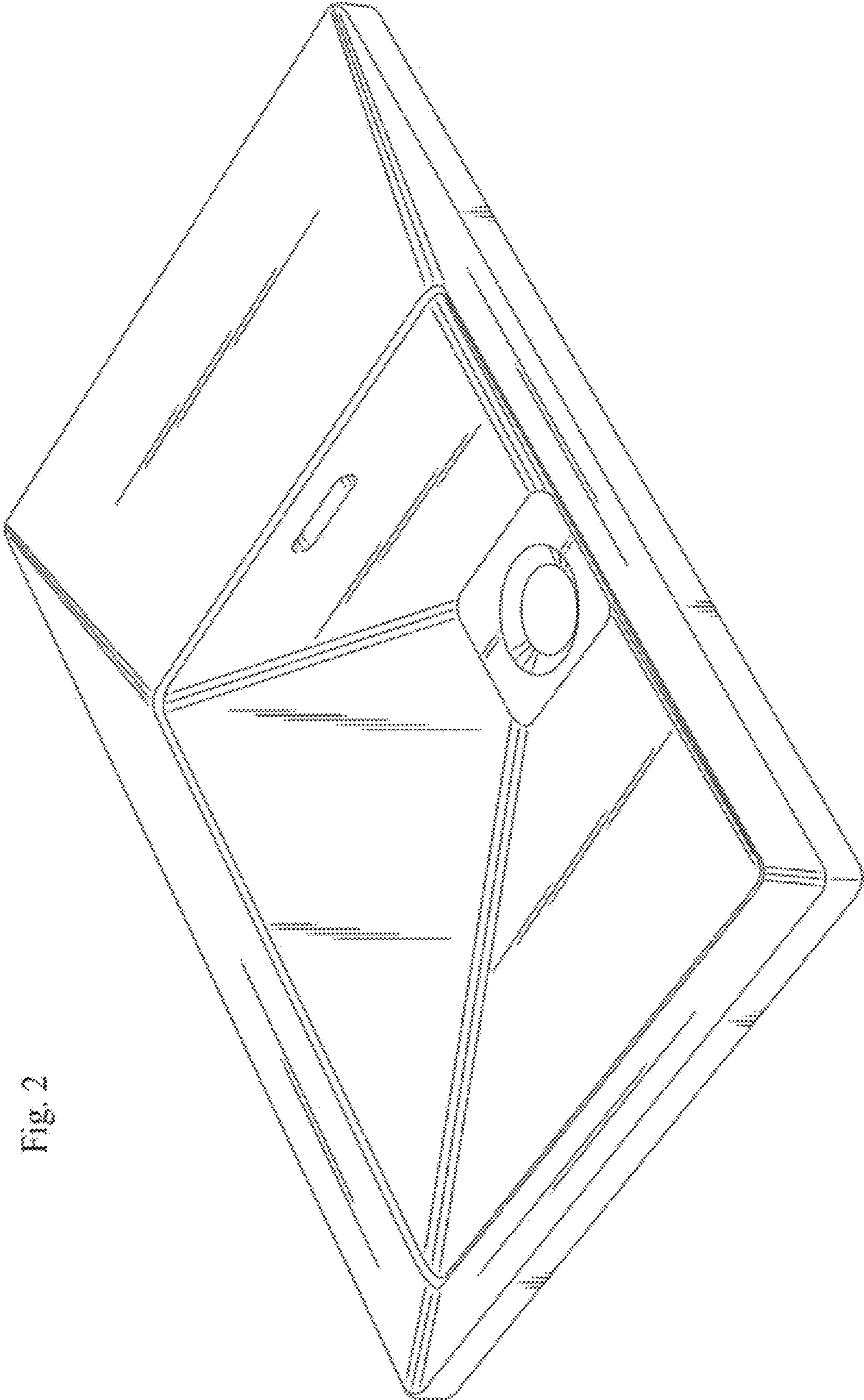


Fig. 2

Fig. 3

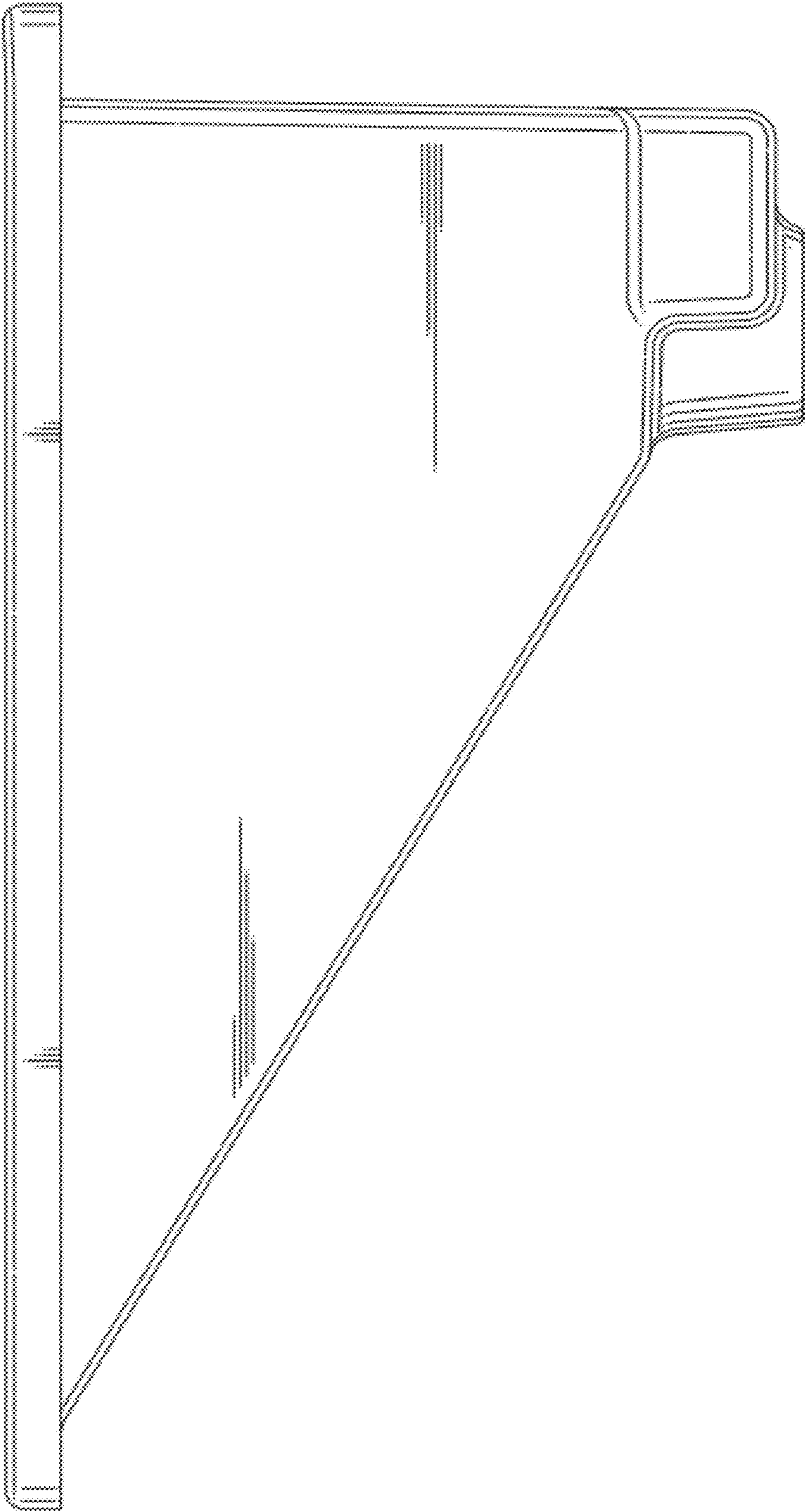


Fig. 4

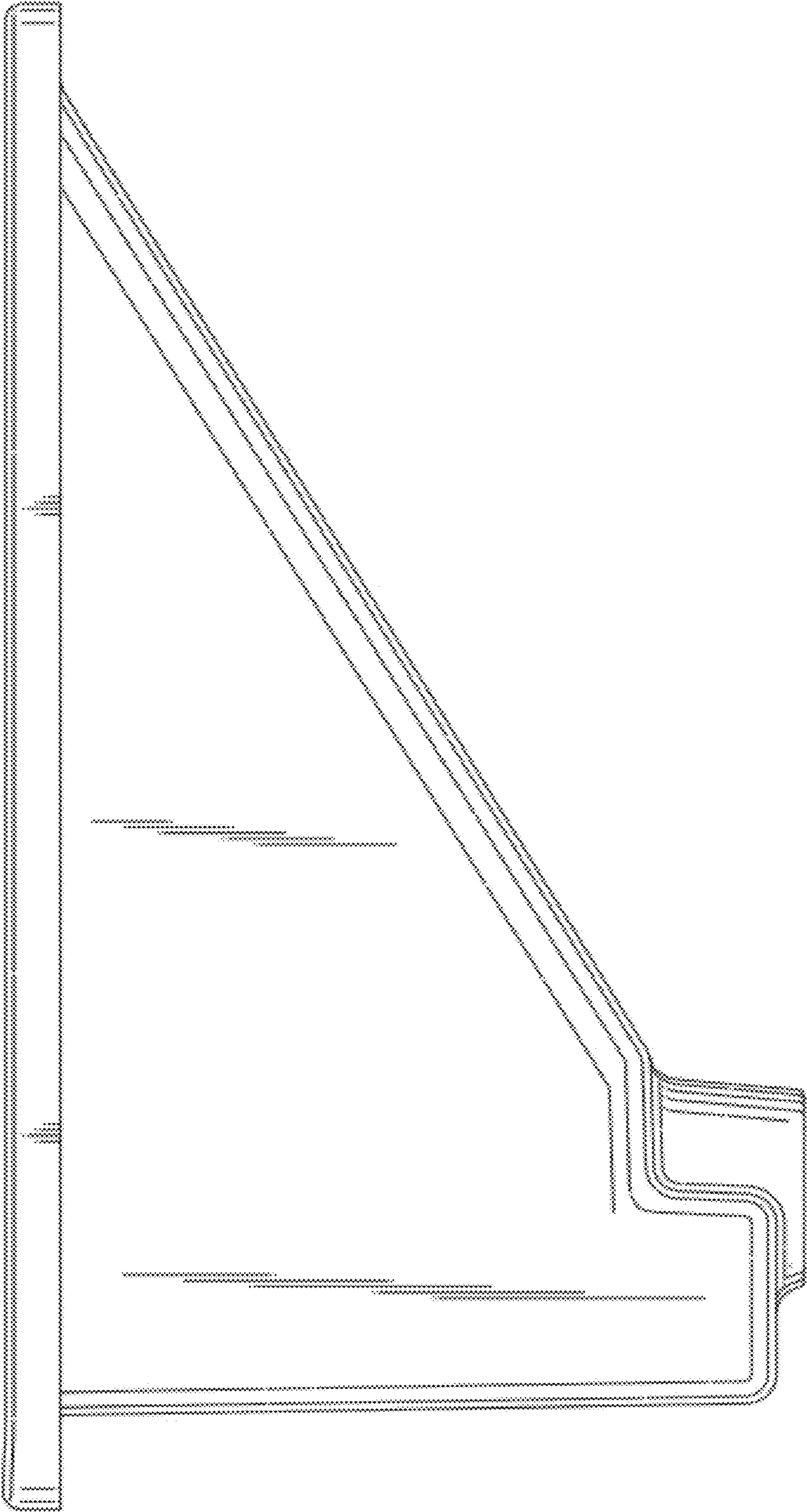


Fig. 5

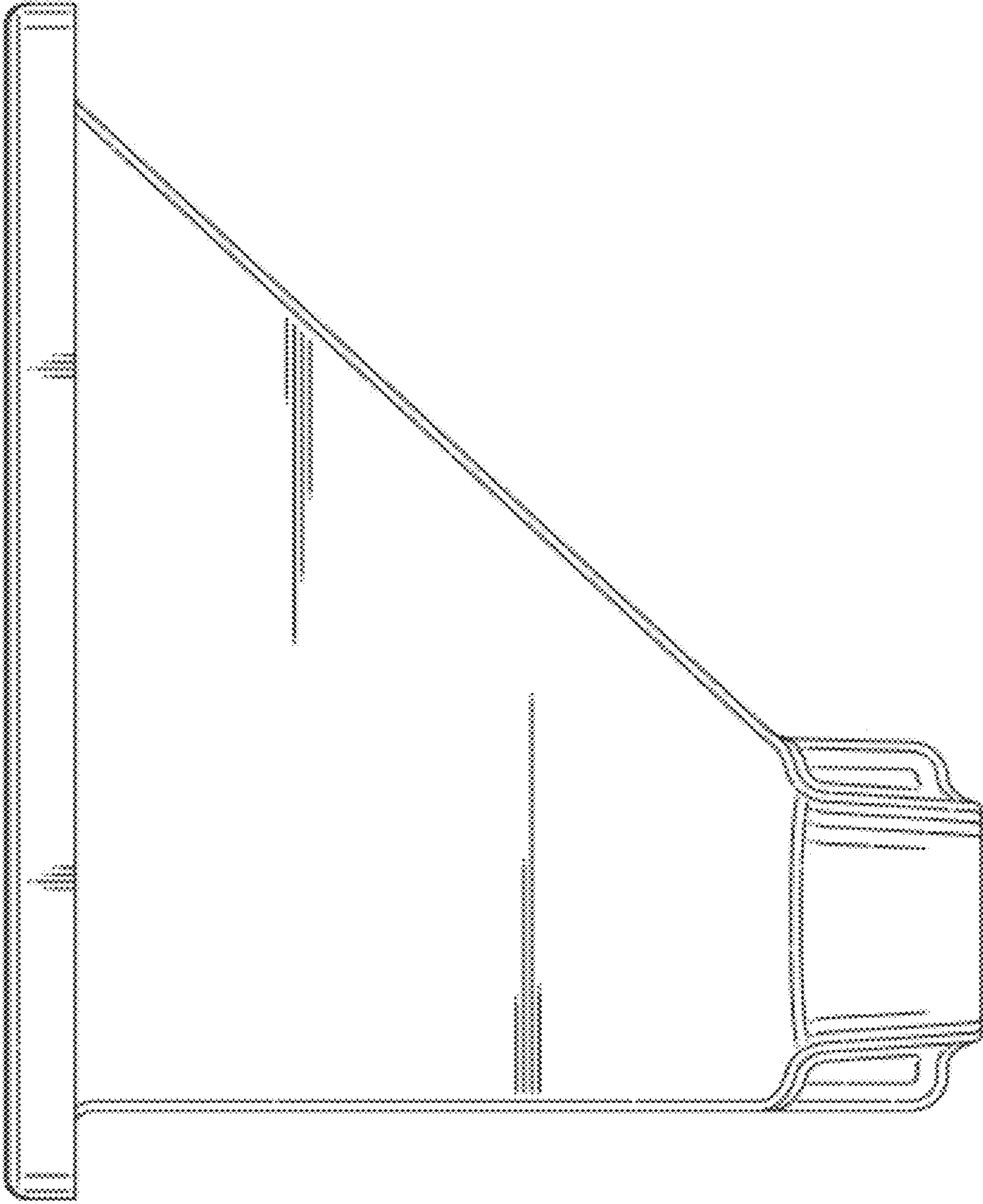


Fig. 6

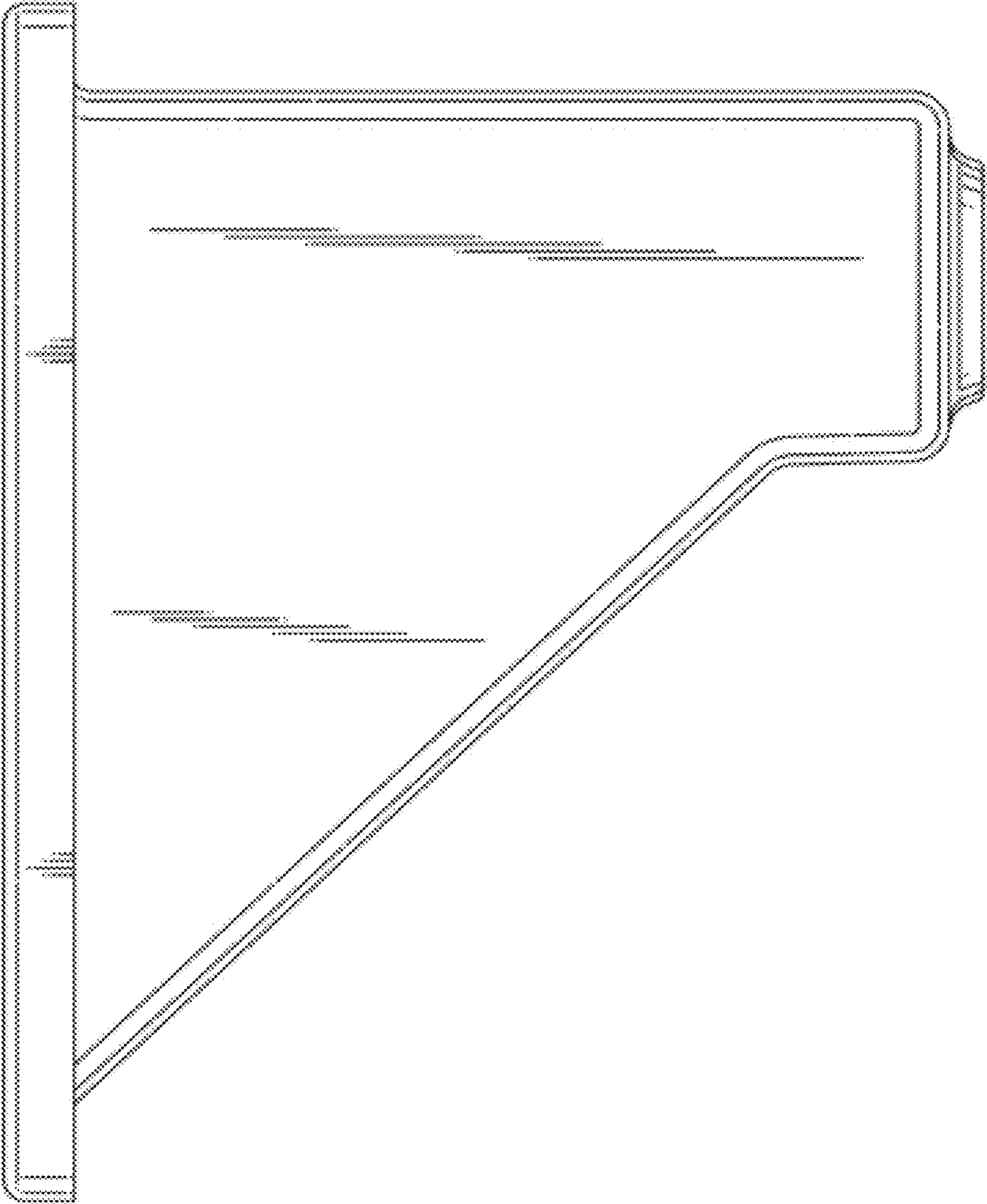


Fig. 7

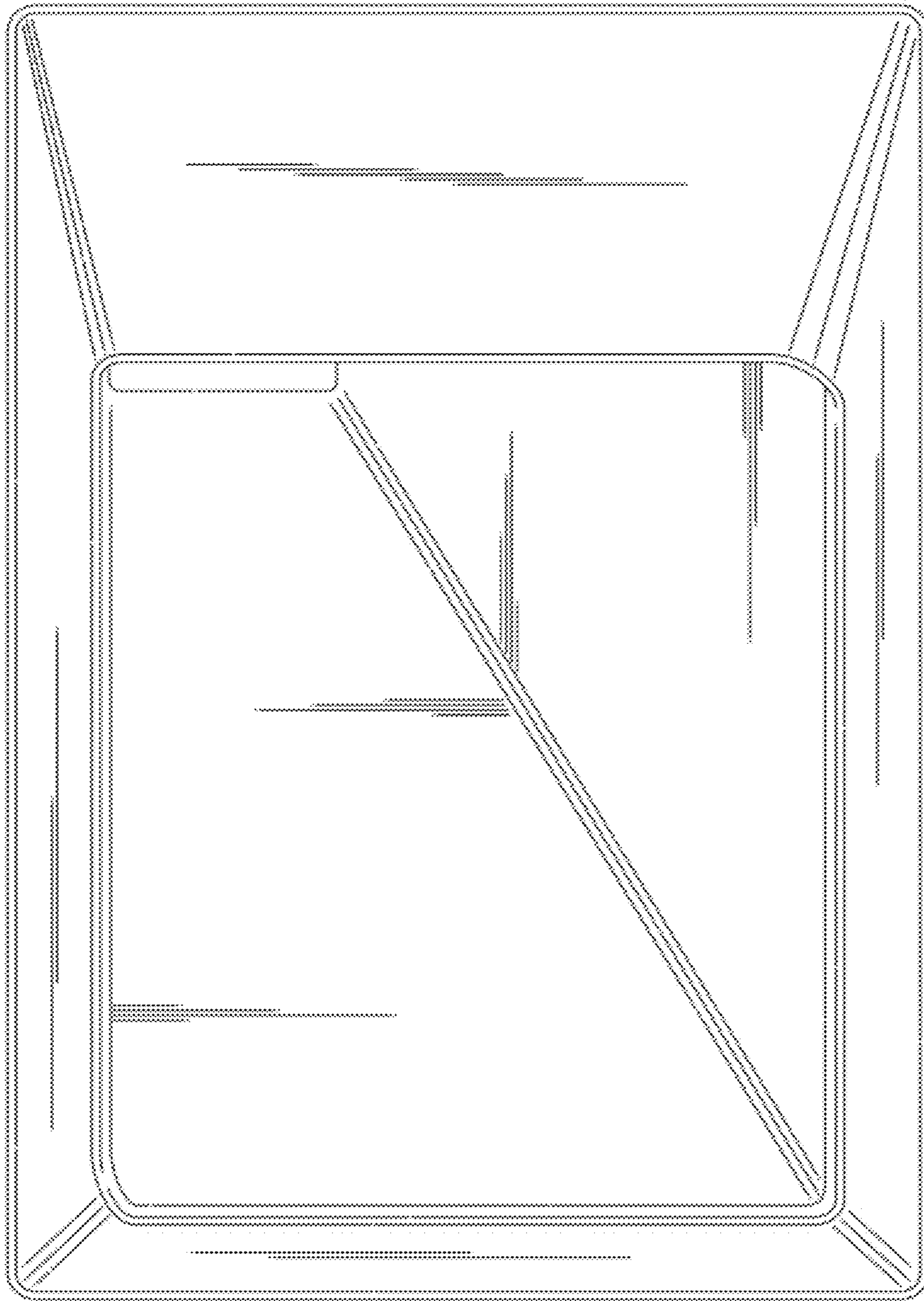


Fig. 8

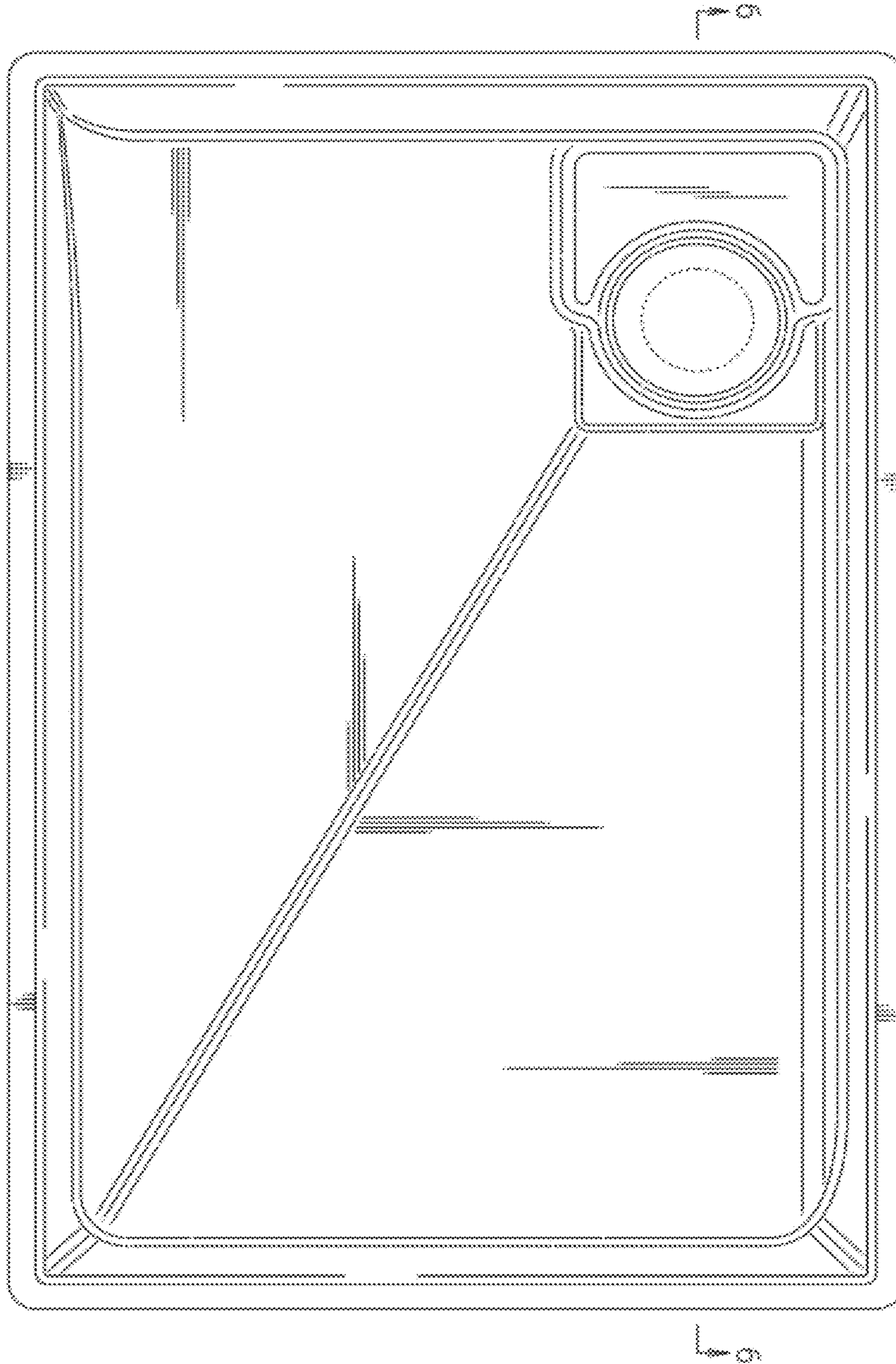


Fig. 9

