



US00D677767S

(12) **United States Design Patent**  
**Adams**

(10) **Patent No.:** **US D677,767 S**

(45) **Date of Patent:** **\*\* Mar. 12, 2013**

(54) **FASCIA GUTTER**

(76) Inventor: **Mike Adams**, Fullerton, CA (US)

(\*\*) Term: **14 Years**

(21) Appl. No.: **29/411,927**

(22) Filed: **Jan. 27, 2012**

(51) **LOC (9) Cl.** ..... **23-01**

(52) **U.S. Cl.** ..... **D23/267**

(58) **Field of Classification Search** ..... D23/267;  
52/11, 12, 16, 73.21, 302.3; D25/119-125,  
D25/141; 248/48.1-48.2; 285/179-183;  
405/120

See application file for complete search history.

(56) **References Cited**

**U.S. PATENT DOCUMENTS**

D217,247	S	*	4/1970	Brown	.....	D23/267
3,545,144	A	*	12/1970	Sickler	.....	52/11
D276,684	S	*	12/1984	Sublett	.....	D7/612
D328,500	S	*	8/1992	Hardy	.....	D25/119
5,216,861	A		6/1993	Meyerson		
5,345,727	A	*	9/1994	McCrea	.....	52/11
5,502,939	A		4/1996	Zadok		
5,765,328	A	*	6/1998	Moore	.....	52/302.1
D425,605	S	*	5/2000	Palmisano	.....	D23/267
D450,107	S	*	11/2001	van Adrichem	.....	D23/267
D454,180	S	*	3/2002	Wessels	.....	D23/267
D479,751	S	*	9/2003	Schofield	.....	D25/119
6,988,335	B2	*	1/2006	Eyers	.....	52/12
D586,436	S	*	2/2009	Cangialosi	.....	D23/267

D586,437 S \* 2/2009 Cangialosi ..... D23/267  
2004/0163330 A1\* 8/2004 Crum ..... 52/97  
2009/0266018 A1\* 10/2009 Stockton ..... 52/302.3

\* cited by examiner

*Primary Examiner* — Eric Goodman

(74) *Attorney, Agent, or Firm* — Law Office of Austin Bonderer; Austin Bonderer

(57) **CLAIM**

The ornamental design for a fascia gutter, as shown and described.

**DESCRIPTION**

FIG. 1 is a perspective view of the fascia gutter for a covering showing our new design;

FIG. 2 is a top rear prospective view thereof;

FIG. 3 is a side rear prospective view thereof

FIG. 4 is a rear plan view thereof;

FIG. 5 is a front plan view thereof;

FIG. 6 is a top plan view thereof;

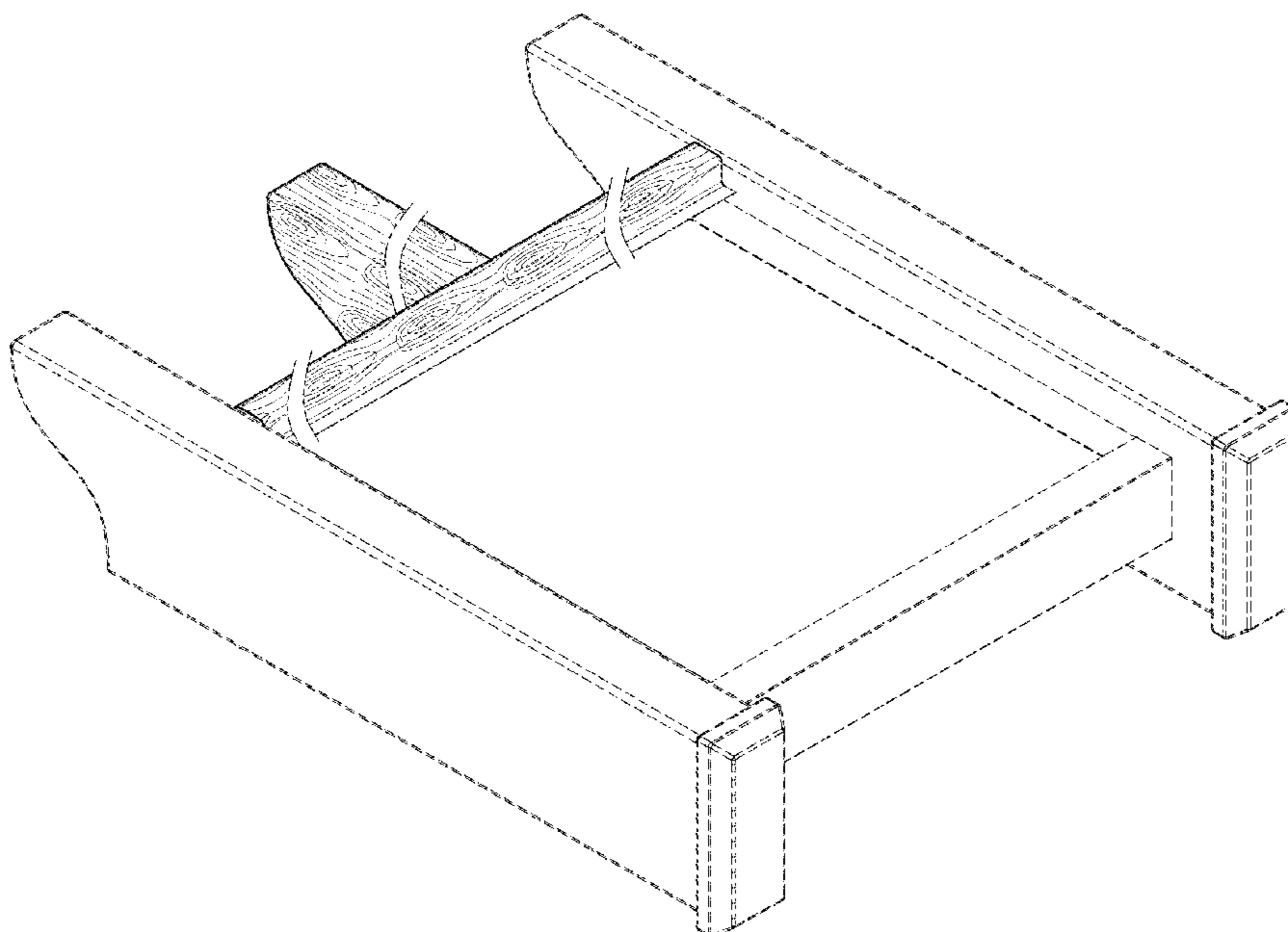
FIG. 7 is a bottom plan view thereof; and,

FIG. 8 is a side plan view thereof.

The broken lines showing of portions of the fascia gutter and the covering in FIG. 1 are for the purpose of illustrating environmental structure and form no part of the claimed design.

The claimed exterior sections of the fascia gutter are shaded to show the appearance of a wood grain texture. The fascia gutter is shown broken away to indicate that no particular length is claimed.

**1 Claim, 8 Drawing Sheets**



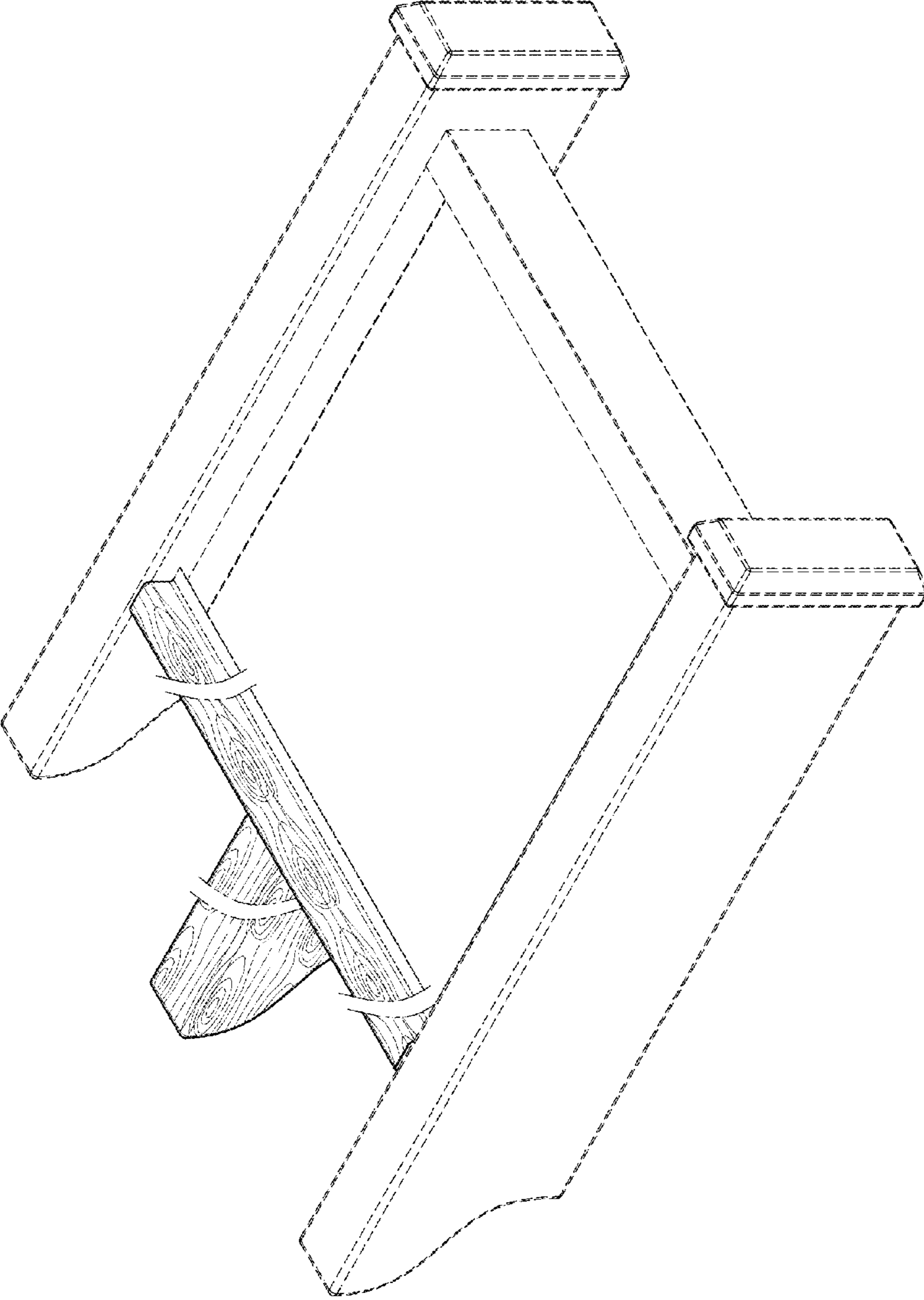


FIG. 1

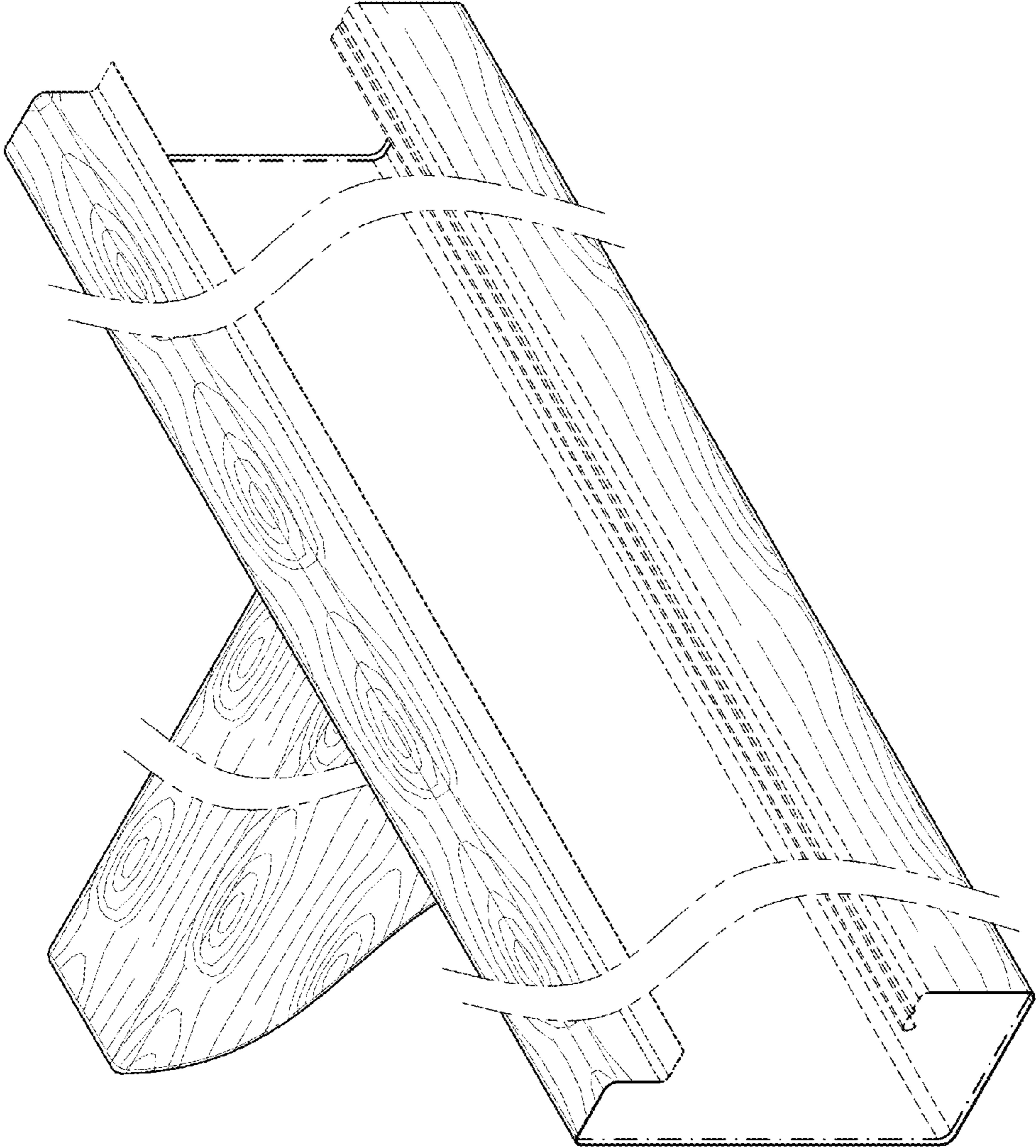
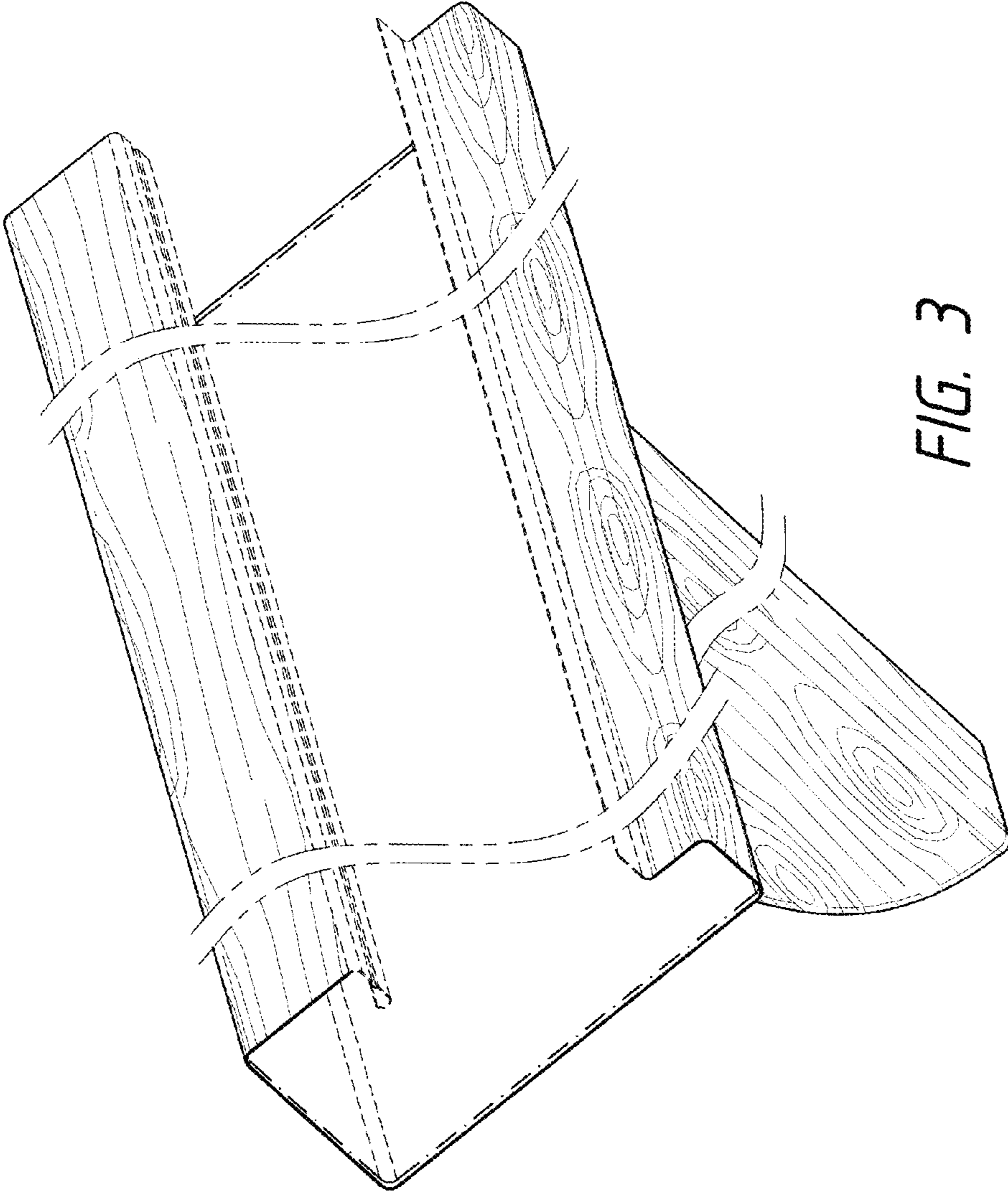


FIG. 2





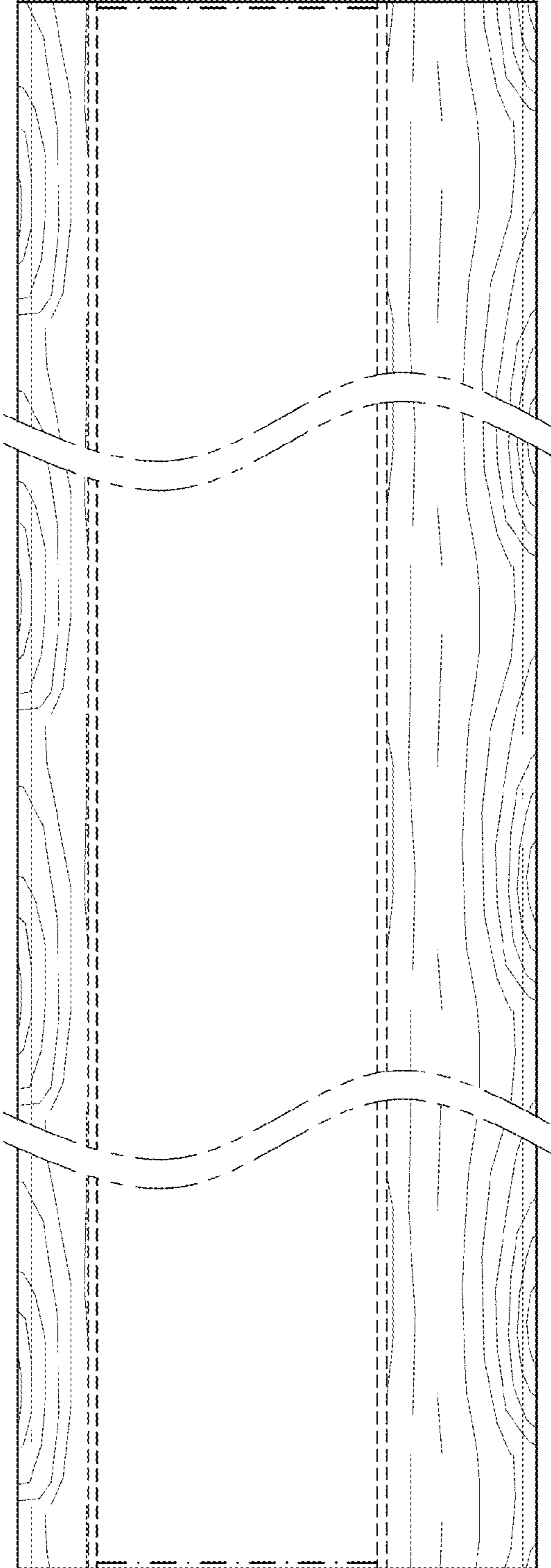


FIG. 4

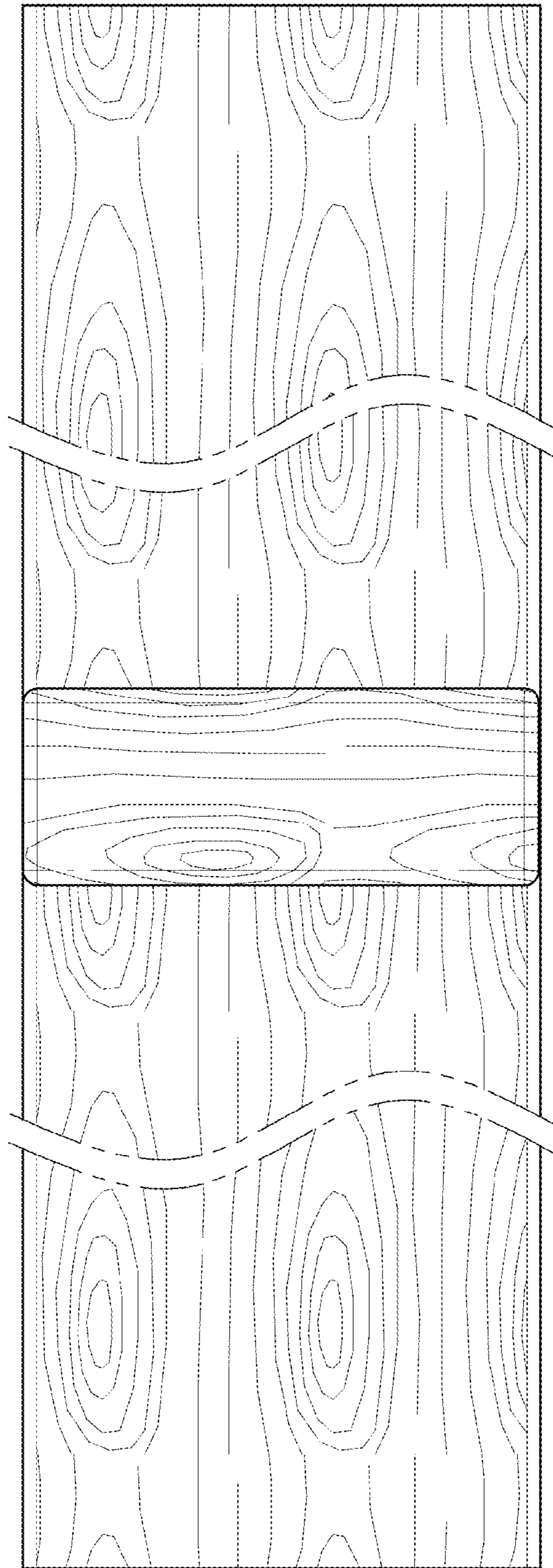


FIG. 5

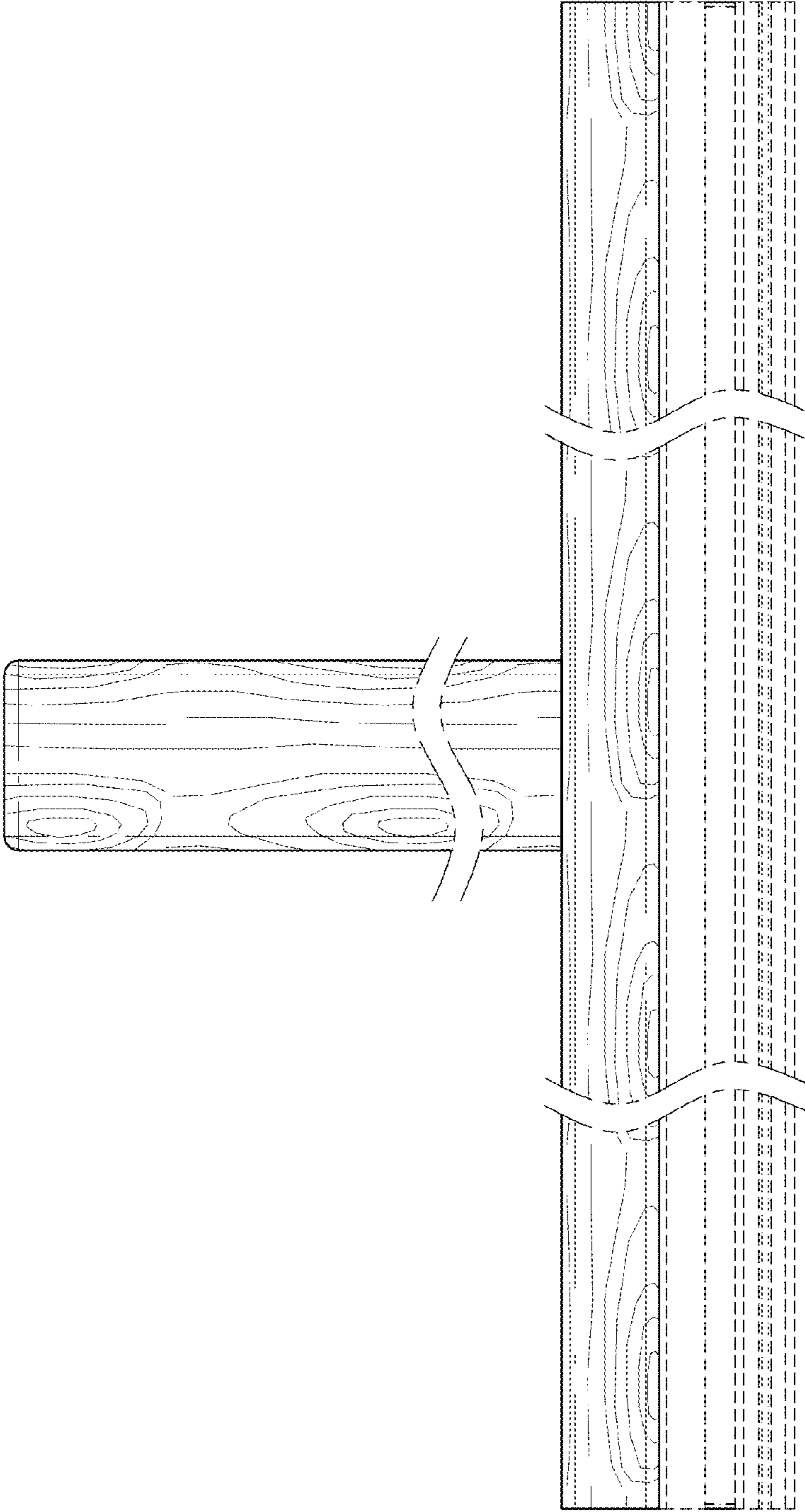


FIG. 6

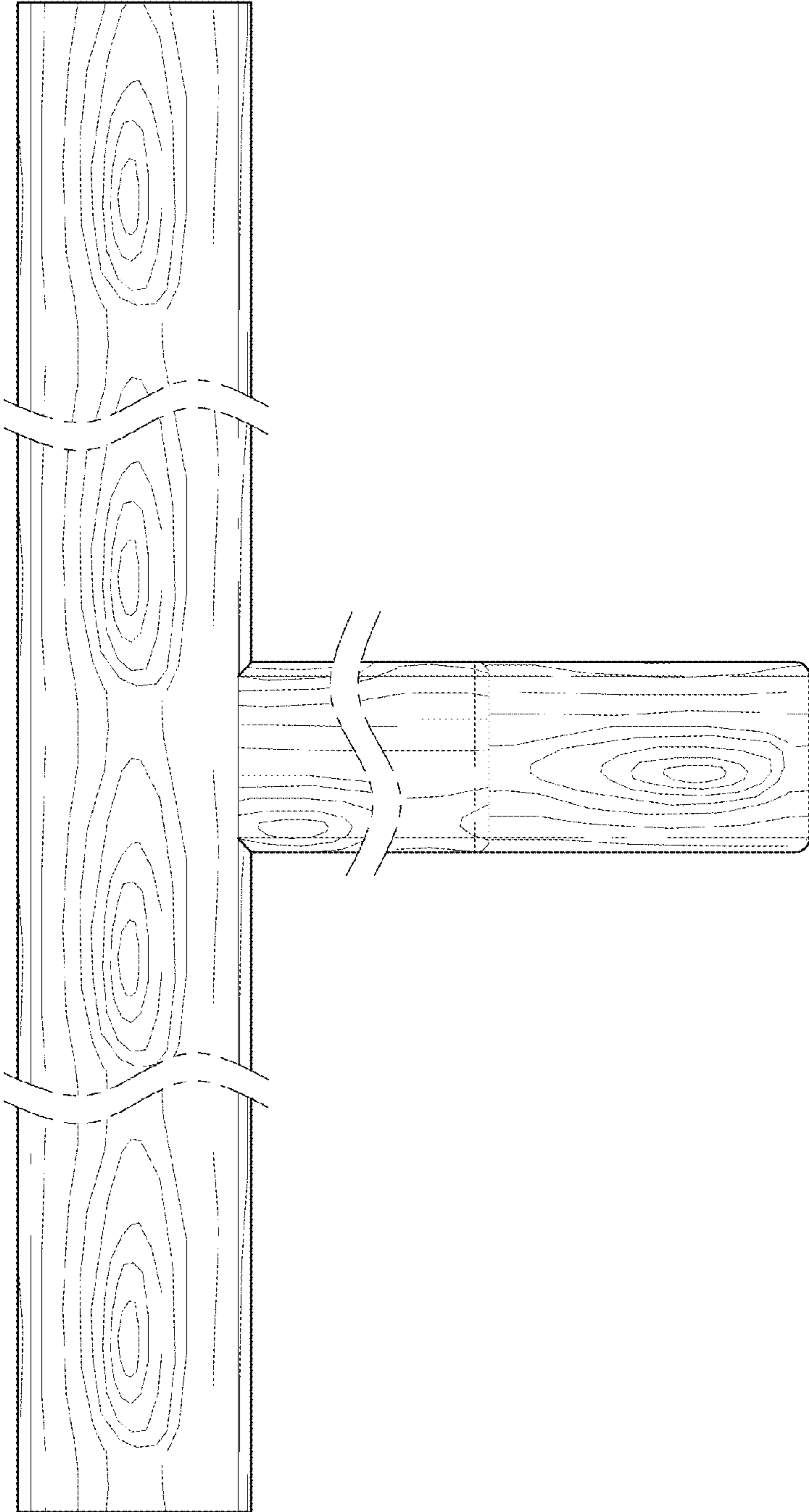


FIG. 7



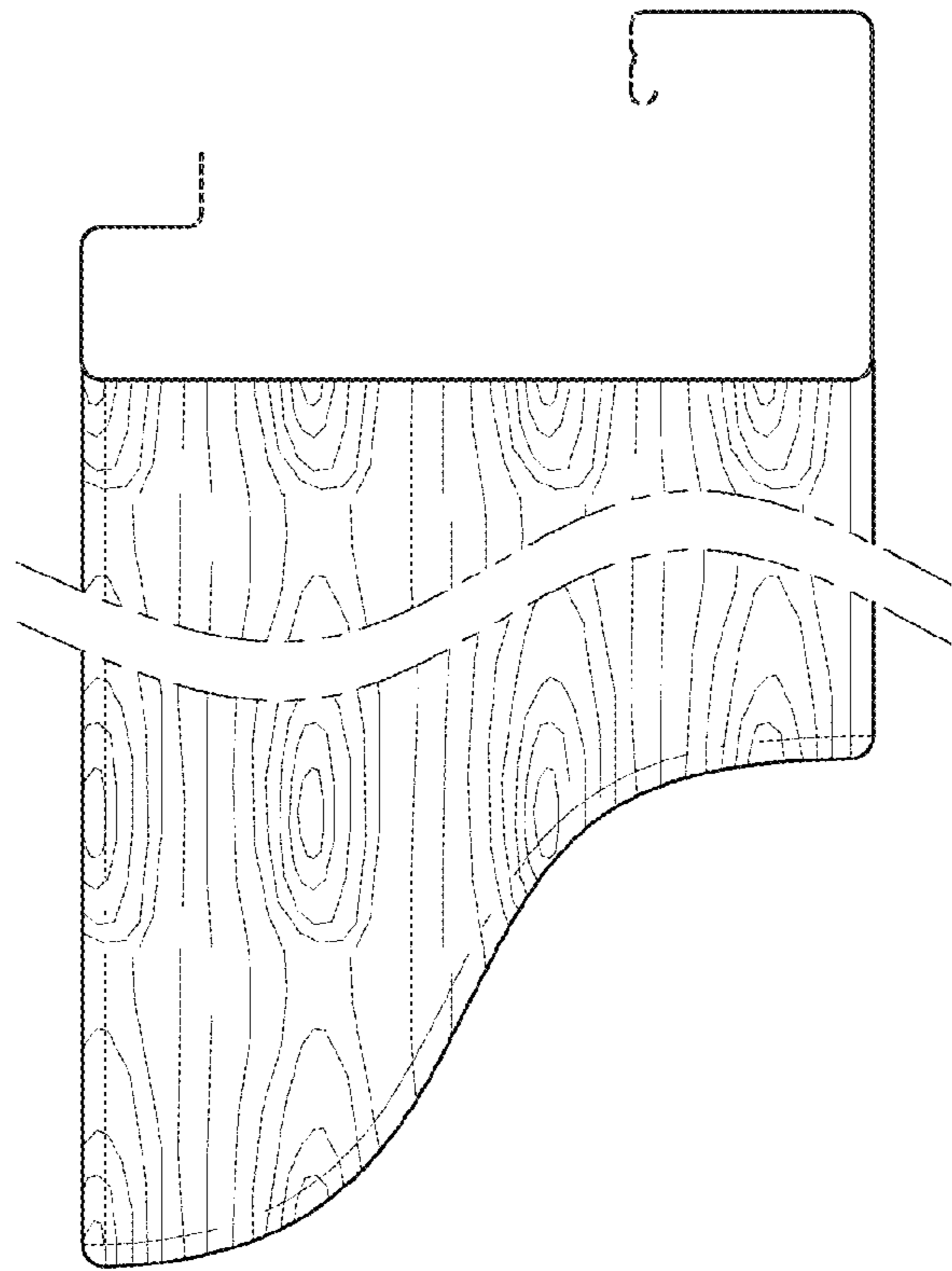


FIG. 8