



US00D677766S

(12) **United States Design Patent**
Chen

(10) **Patent No.:** **US D677,766 S**
(45) **Date of Patent:** **** Mar. 12, 2013**

(54) **HOSE CONNECTOR**

(75) Inventor: **Chin-Yuan Chen**, Changhua (TW)

(73) Assignee: **Shin Tai Spurt Water of the Garden Tools Co. Ltd.**, Changhua (TW)

(**) Term: **14 Years**

(21) Appl. No.: **29/410,002**

(22) Filed: **Jan. 2, 2012**

(51) **LOC (9) Cl.** **23-01**

(52) **U.S. Cl.** **D23/262**

(58) **Field of Classification Search** D23/259,
D23/262; 285/34–35, 38, 148, 144.1, 145.2,
285/148.1, 272, 322

See application file for complete search history.

(56) **References Cited**

U.S. PATENT DOCUMENTS

D336,510	S	*	6/1993	Sawtelle	D23/262
D392,722	S	*	3/1998	Kurz	D23/262
6,113,156	A	*	9/2000	Bea	285/140.1
D517,667	S	*	3/2006	Sener et al.	D23/262
D561,304	S	*	2/2008	Vansell et al.	D23/262
D570,457	S	*	6/2008	Brown	D23/262
7,497,484	B2	*	3/2009	Ziman	285/402
D599,894	S	*	9/2009	Price et al.	D23/262
D637,693	S	*	5/2011	Riedel	D23/209
D637,697	S	*	5/2011	Steiner	D23/262
D648,008	S	*	11/2011	Percoco et al.	D23/262

D649,228	S	*	11/2011	Drenth	D23/259
2006/0066100	A1	*	3/2006	Nakashima et al.	285/305
2008/0277923	A1	*	11/2008	Brandt et al.	285/34
2012/0133131	A1	*	5/2012	Chen	285/389
2012/0153609	A1	*	6/2012	McMiles	285/18

* cited by examiner

Primary Examiner — Eric Goodman

(74) *Attorney, Agent, or Firm* — Che-Yang Chen; Law Office of Michael Chen

(57) **CLAIM**

The ornamental design for a hose connector, as shown and described.

DESCRIPTION

FIG. 1 is a perspective view of a hose connector showing my new design;

FIG. 2 is a front view of the embodiment shown in FIG. 1;

FIG. 3 is a rear view of the embodiment shown in FIG. 1;

FIG. 4 is a left side view of the embodiment shown in FIG. 1;

FIG. 5 is a right side view of the embodiment shown in FIG. 1;

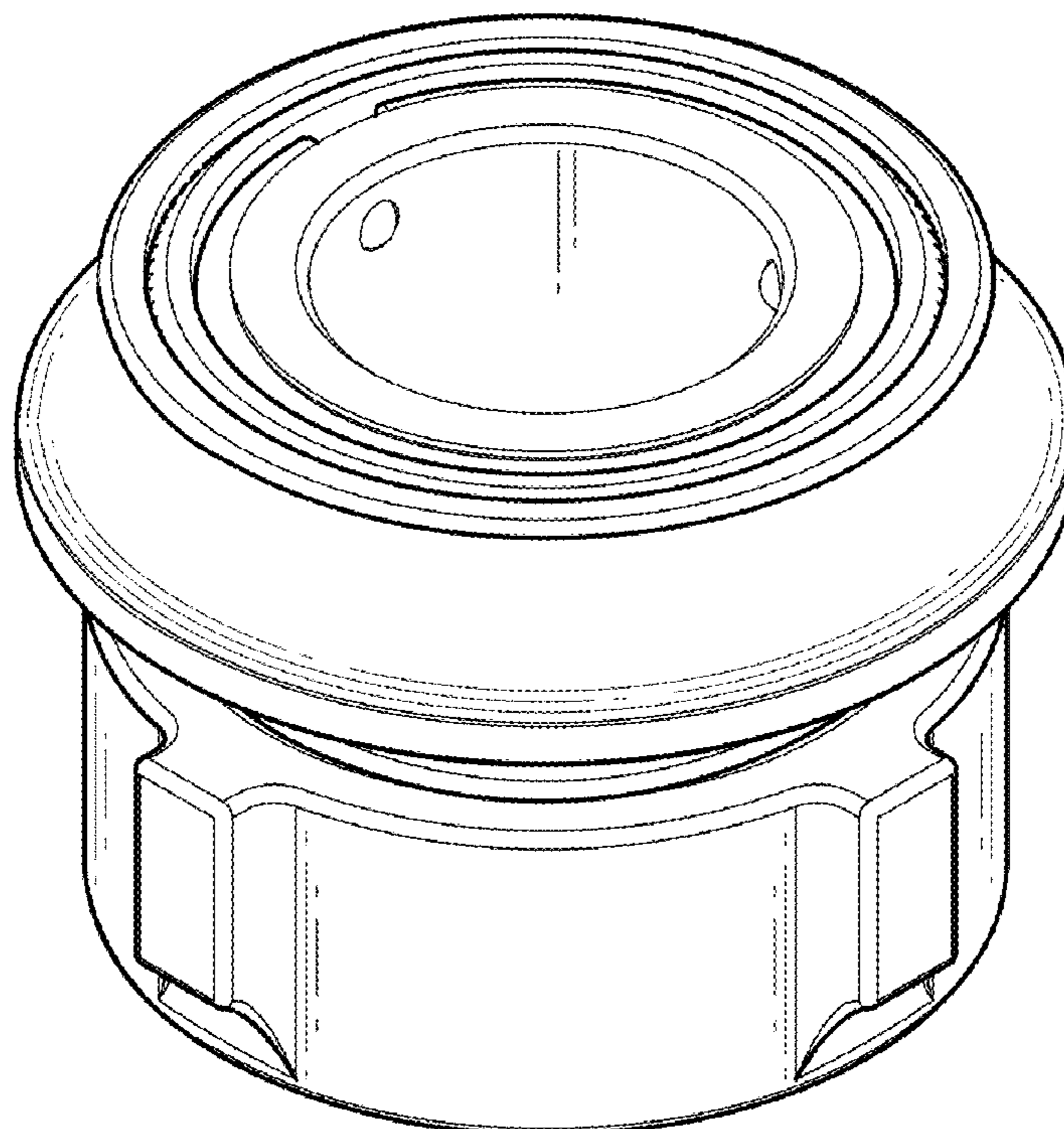
FIG. 6 is a top view of the embodiment shown in FIG. 1;

FIG. 7 is a bottom view of the embodiment shown in FIG. 1; and,

FIG. 8 is a perspective schematic view illustrating an application of a hose connector showing my design.

The broken lines in FIG. 8 are for illustrative purposes only and form no part of the claimed design.

1 Claim, 6 Drawing Sheets



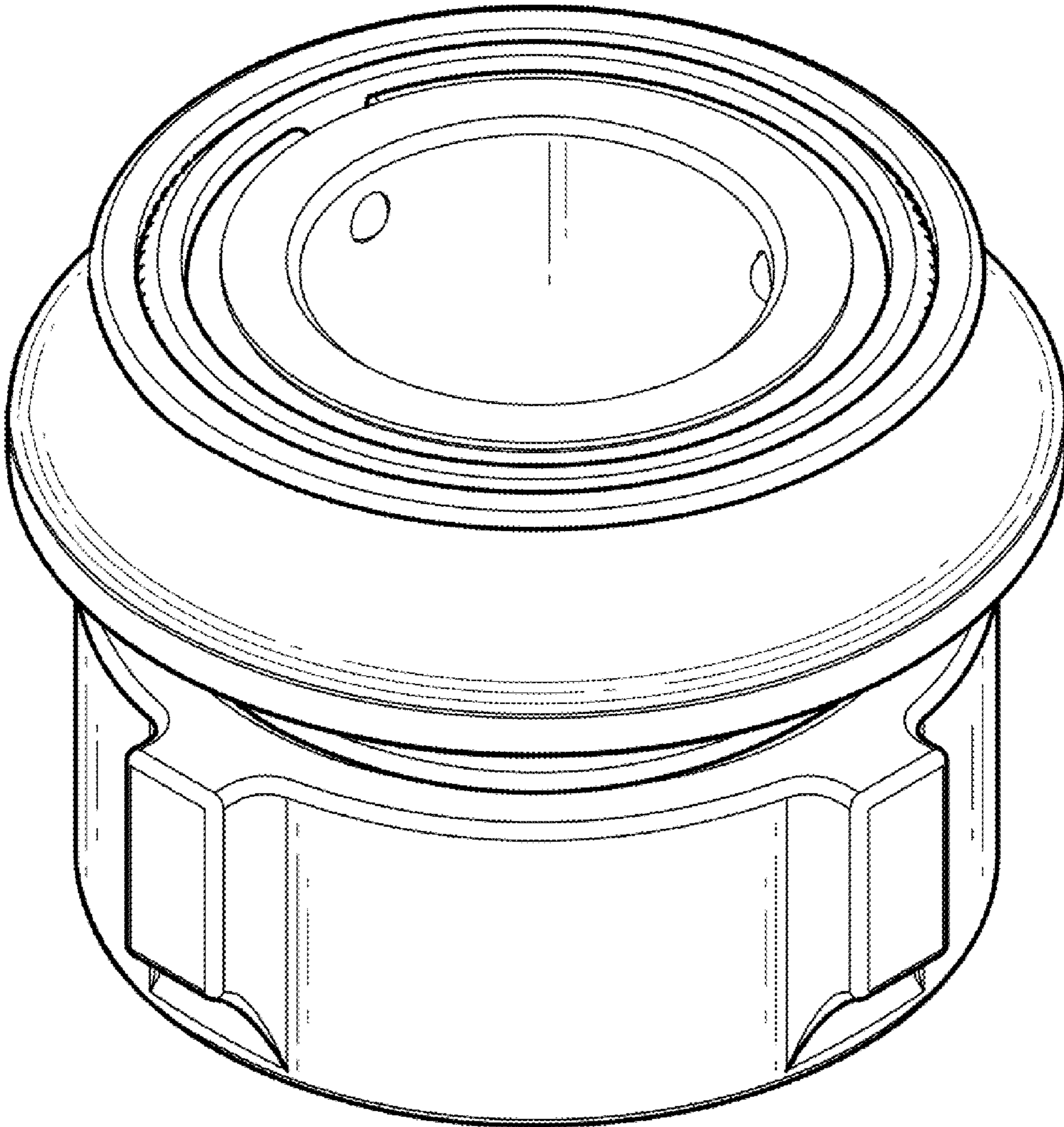


FIG. 1

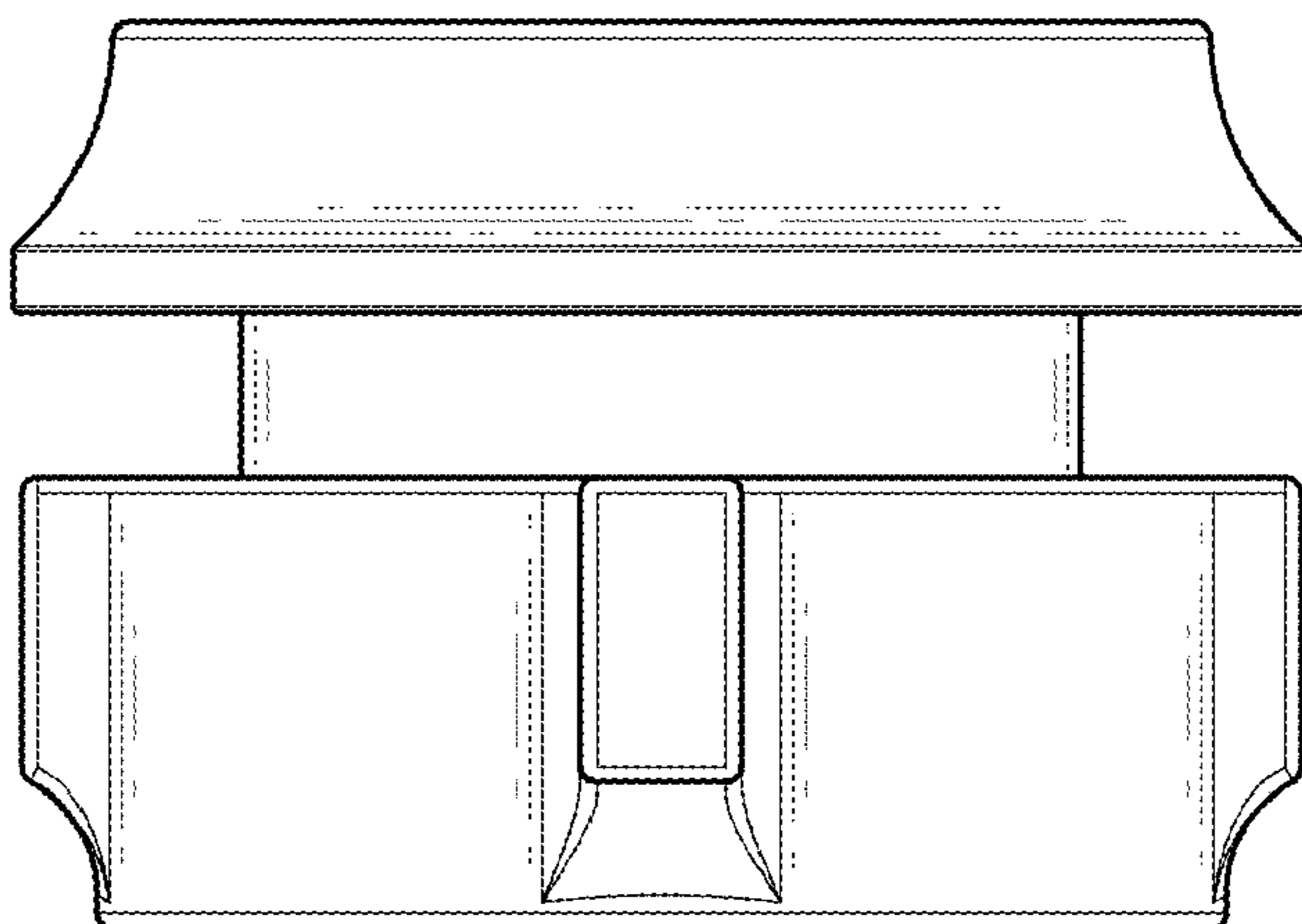


FIG. 2

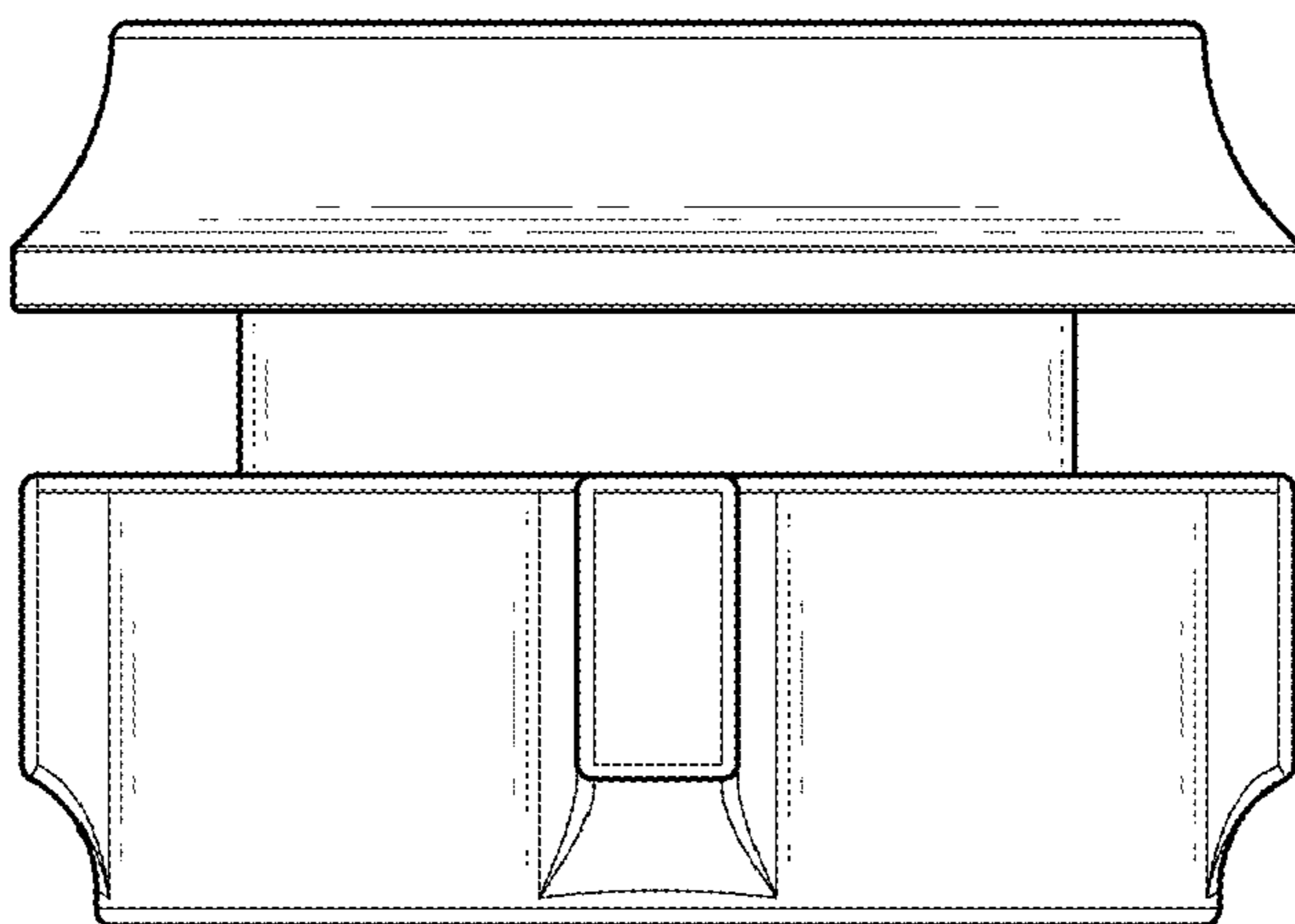


FIG. 3

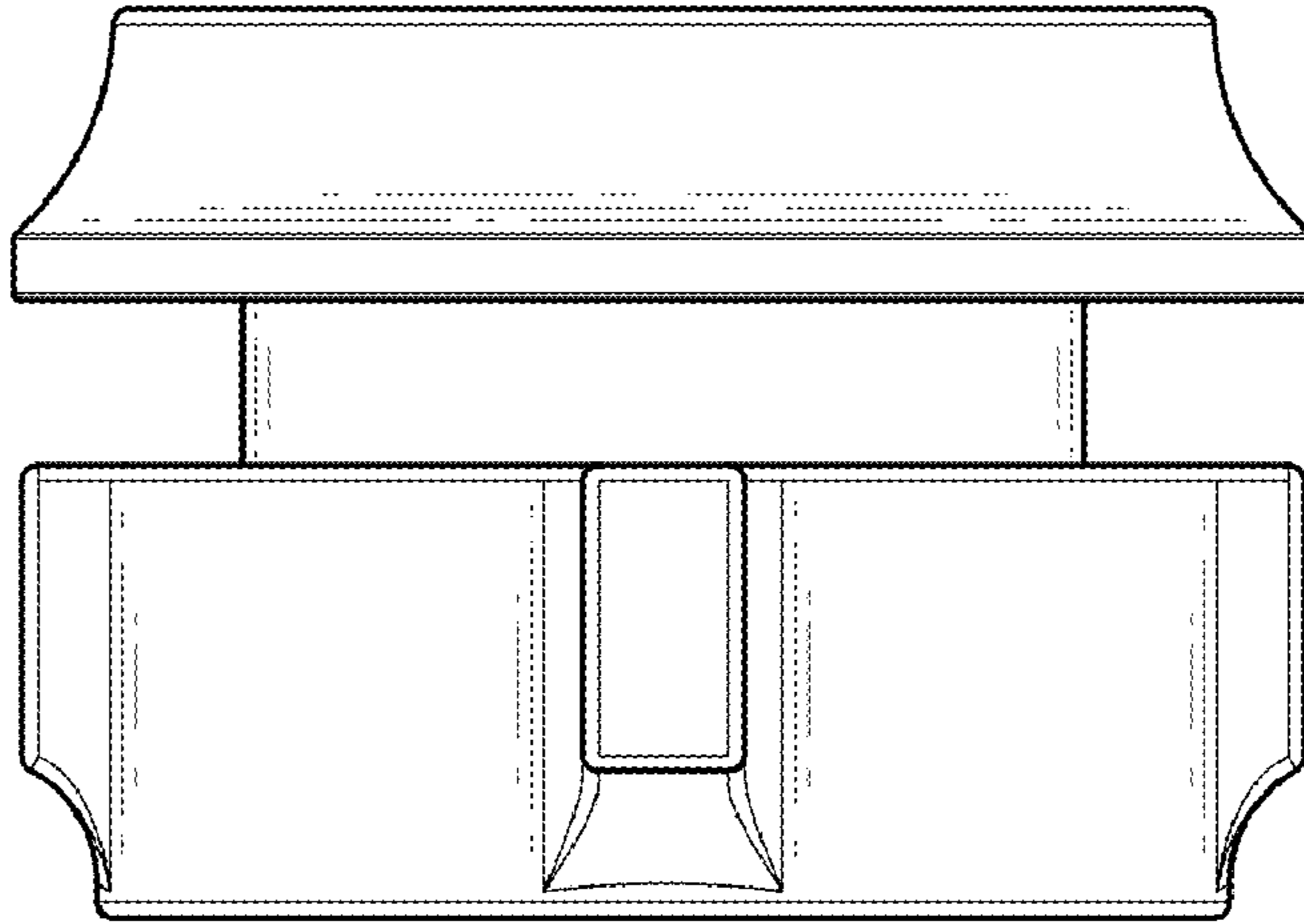


FIG. 4

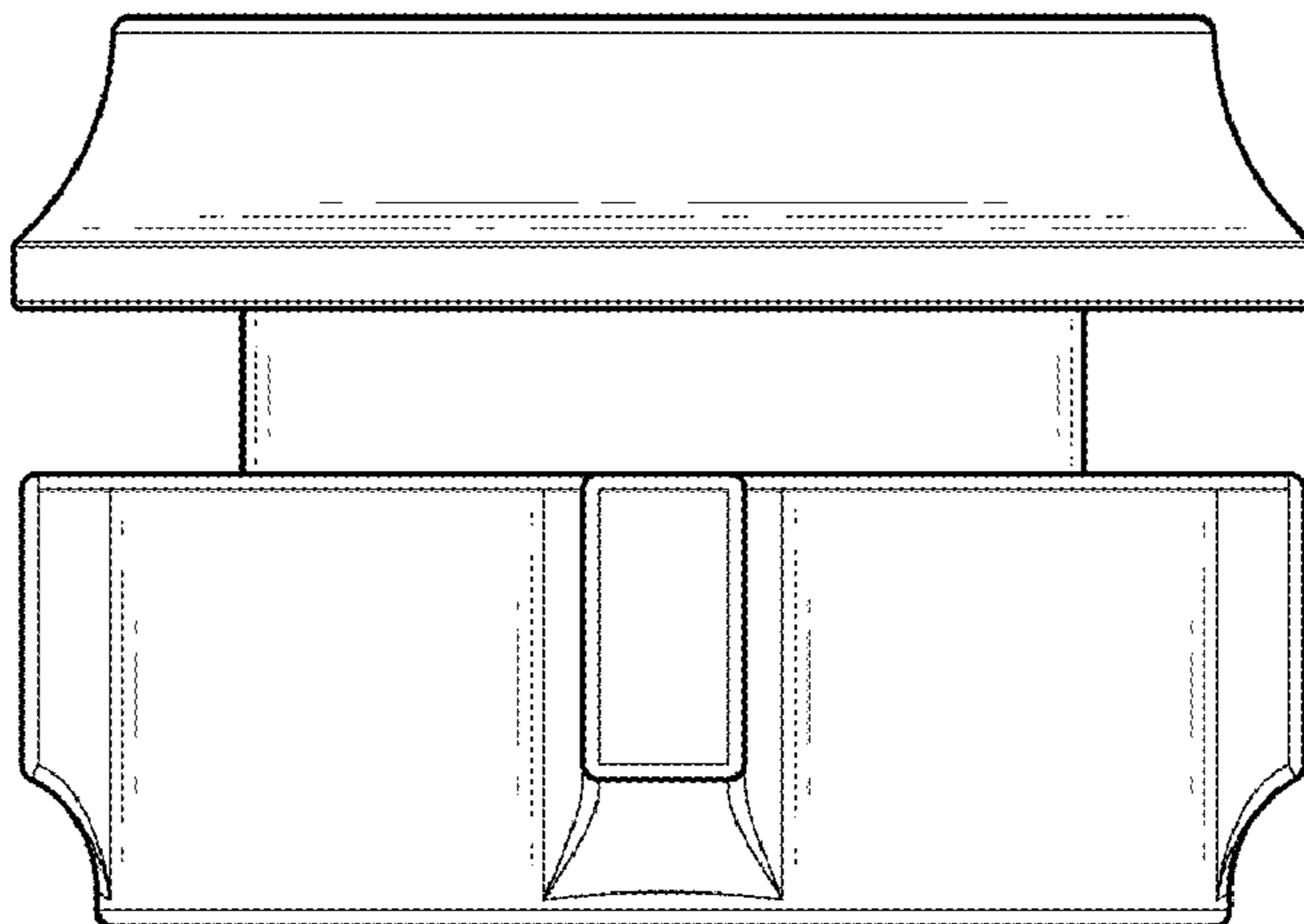


FIG. 5

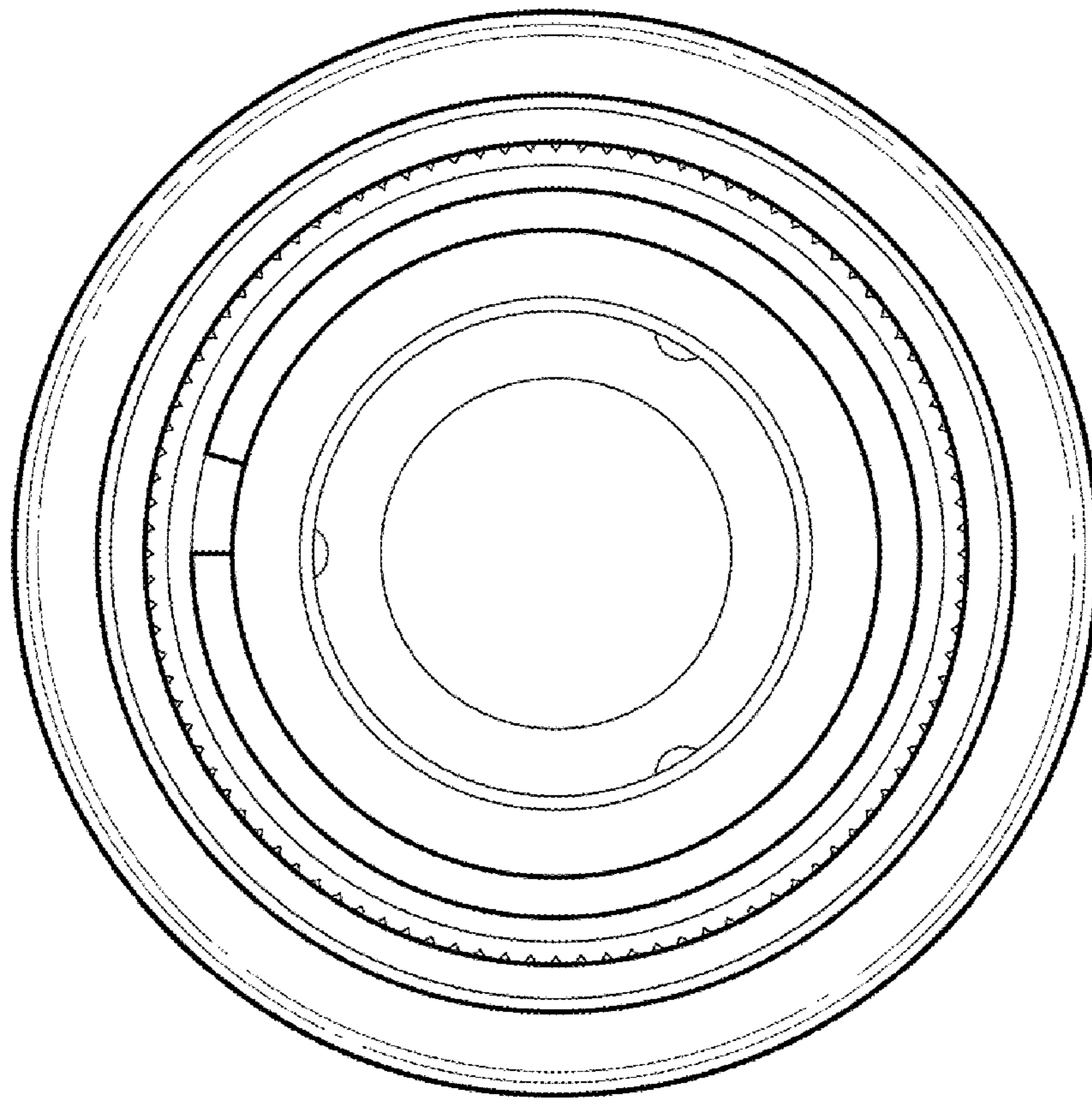


FIG. 6

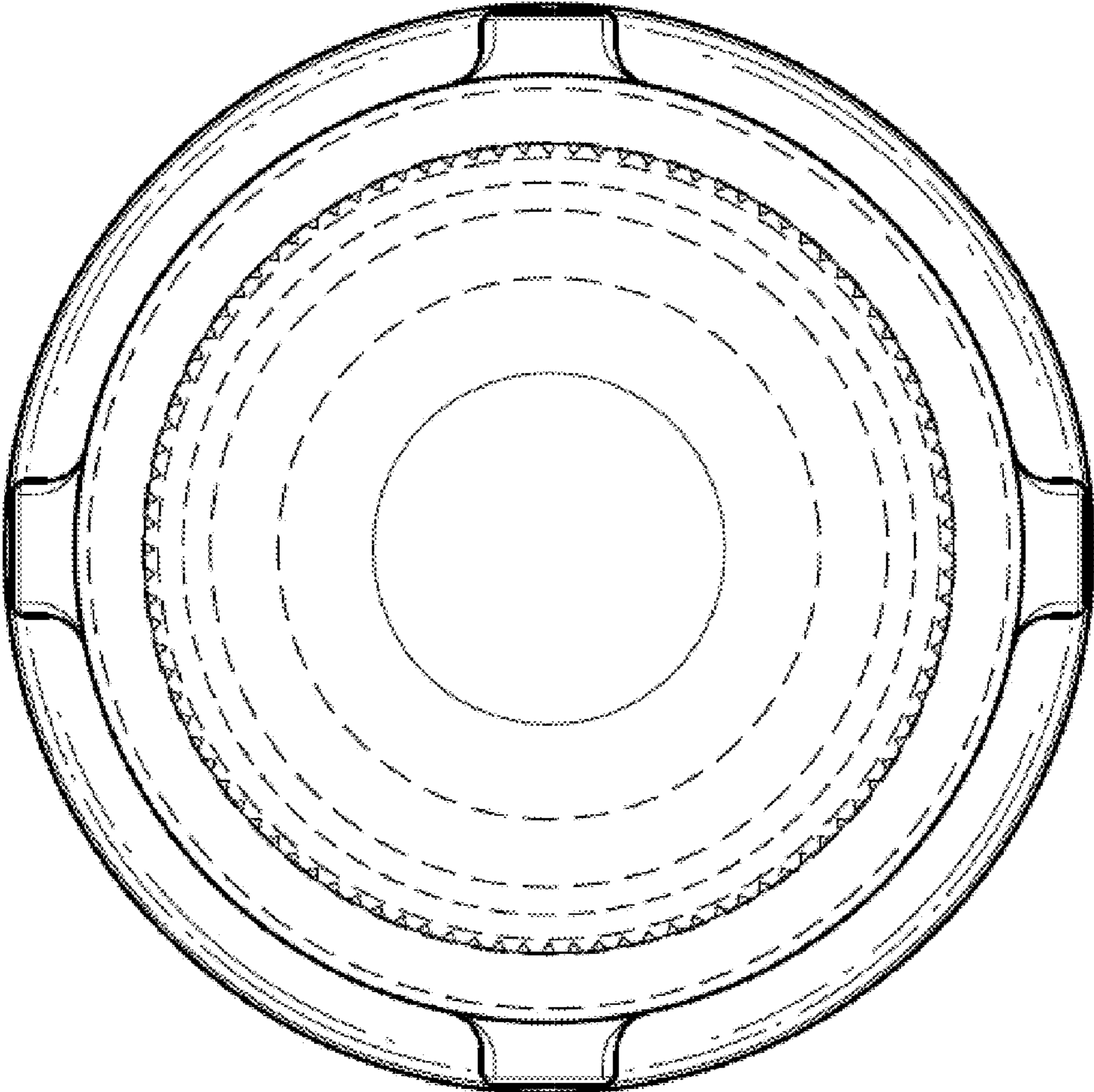


FIG. 7

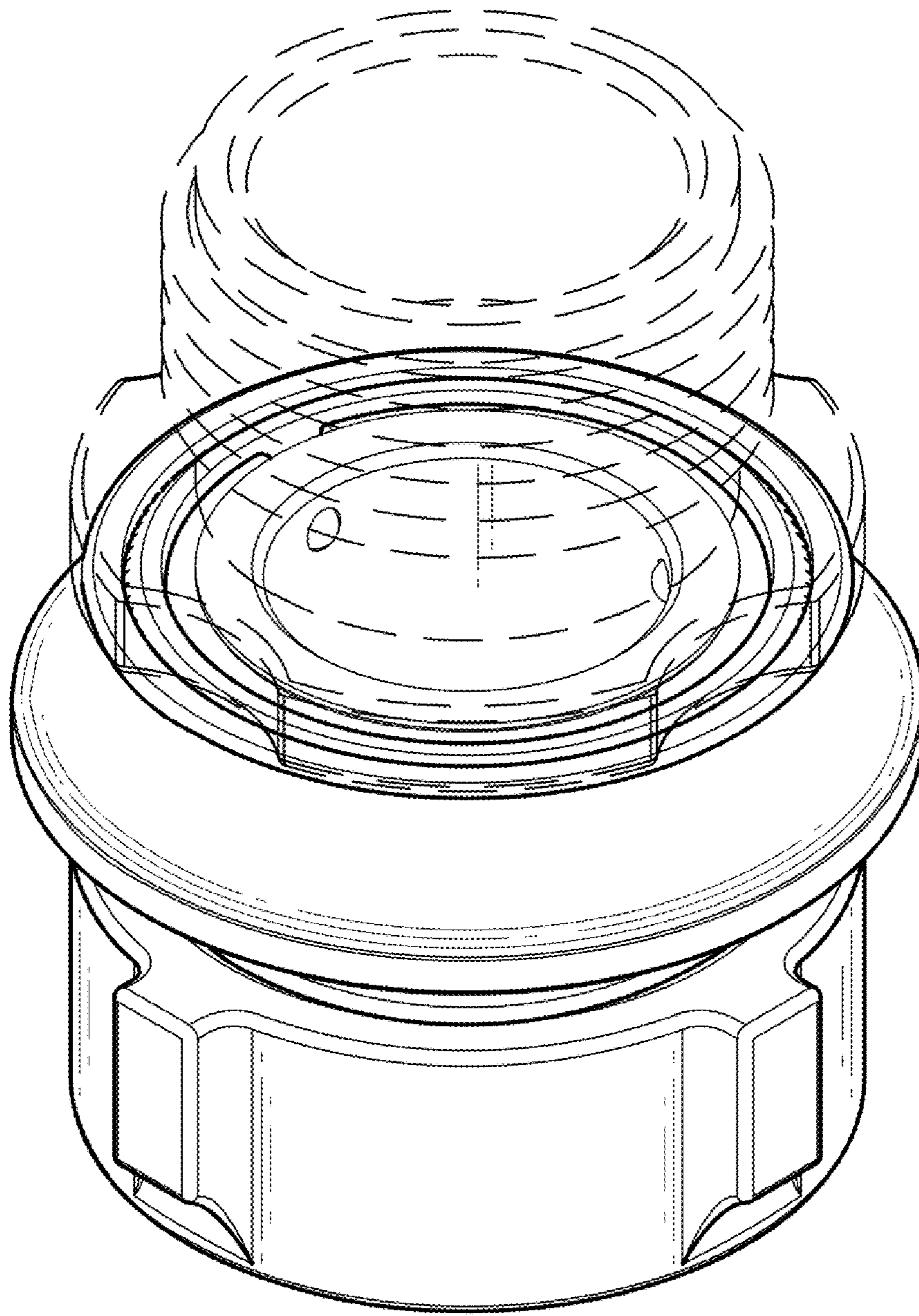


FIG. 8