



US00D677764S

(12) **United States Design Patent**
Laera

(10) **Patent No.:** **US D677,764 S**
(45) **Date of Patent:** **** Mar. 12, 2013**

(54) **SINK DRAIN**

(76) Inventor: **Vito Laera**, Fort Lauderdale, FL (US)

(**) Term: **14 Years**

(21) Appl. No.: **29/410,167**

(22) Filed: **Jan. 5, 2012**

(51) **LOC (9) Cl.** **23-01**

(52) **U.S. Cl.** **D23/260**

(58) **Field of Classification Search** D23/260-261;
4/286-287, 293, 295; 285/360, 148.19, 148.2,
285/376, 401

See application file for complete search history.

(56) **References Cited**

U.S. PATENT DOCUMENTS

2,081,037	A *	5/1937	Hicks	4/293
4,519,102	A *	5/1985	Efstratis	4/292
D463,851	S *	10/2002	Eastman	D23/260
D597,181	S *	7/2009	Jones	D23/260
D599,444	S *	9/2009	Jones	D23/261
D654,572	S *	2/2012	Chiles	D23/260
8,117,685	B2 *	2/2012	Escobar et al.	4/290

* cited by examiner

Primary Examiner — Eric Goodman

(74) *Attorney, Agent, or Firm* — Hammer & Associates, P.C.

(57) **CLAIM**

The ornamental design for a sink drain, as shown and described.

DESCRIPTION

FIG. 1 is a perspective view of the sink drain in a sink.

FIG. 2 is a perspective view of the sink drain in a sink.

FIG. 3 is a sectional view taken along line 3-3 as shown in FIG. 5 of the sink drain.

FIG. 4 is an enlarged sectional view taken from line 4 as shown in FIG. 3 of the sink drain.

FIG. 5 is a plan view of the sink drain in a sink.

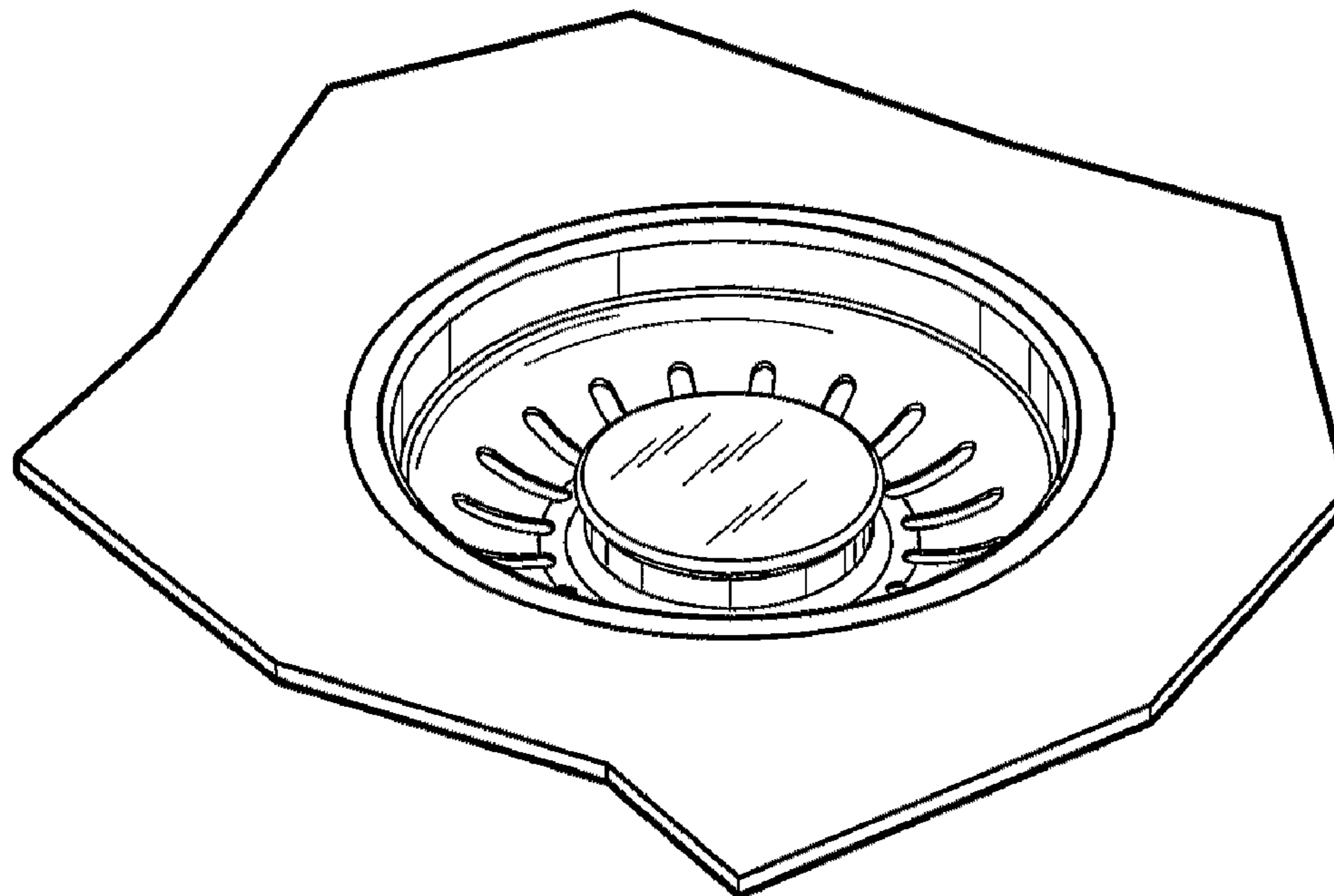
FIG. 6 is a plan view taken along line 6 as shown in FIG. 3 of the sink drain.

FIG. 7 is a perspective view of the sink drain shown removed from the sink; and,

FIG. 8 is an exploded side view of the sink drain shown removed from the sink.

The broken line showing is included for the purpose of illustrative purposes and form no part of the claimed design.

1 Claim, 6 Drawing Sheets



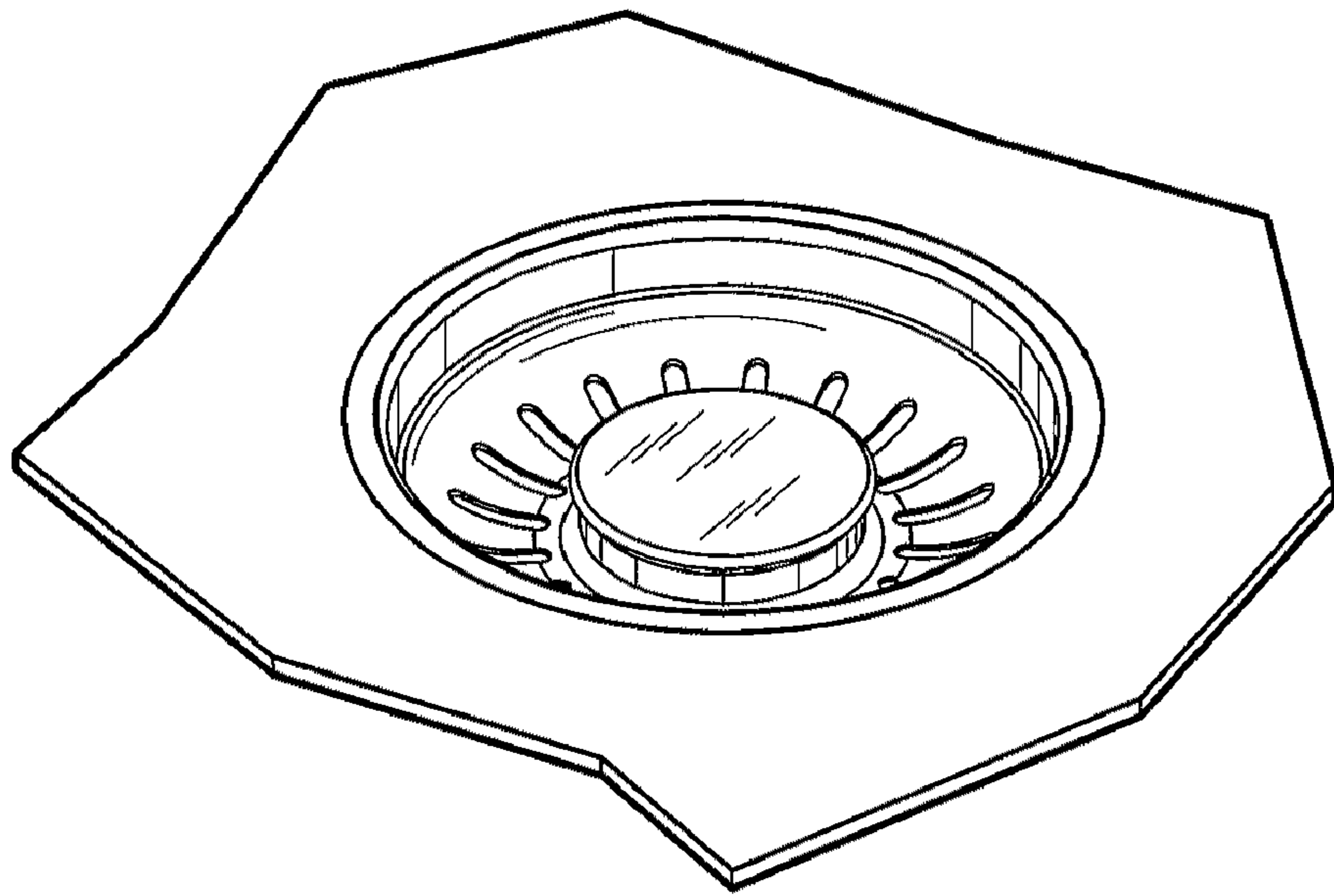


Fig. 1

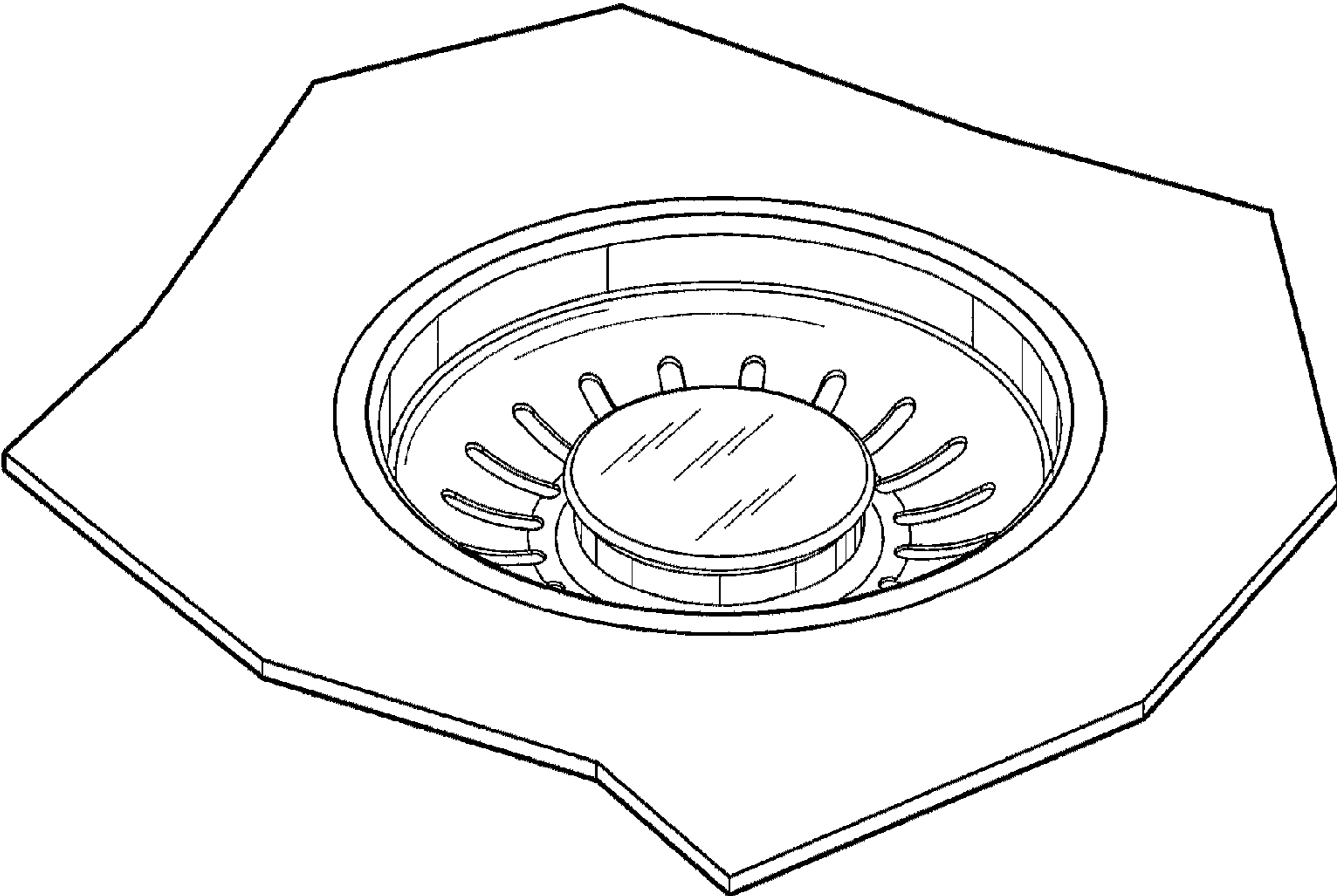
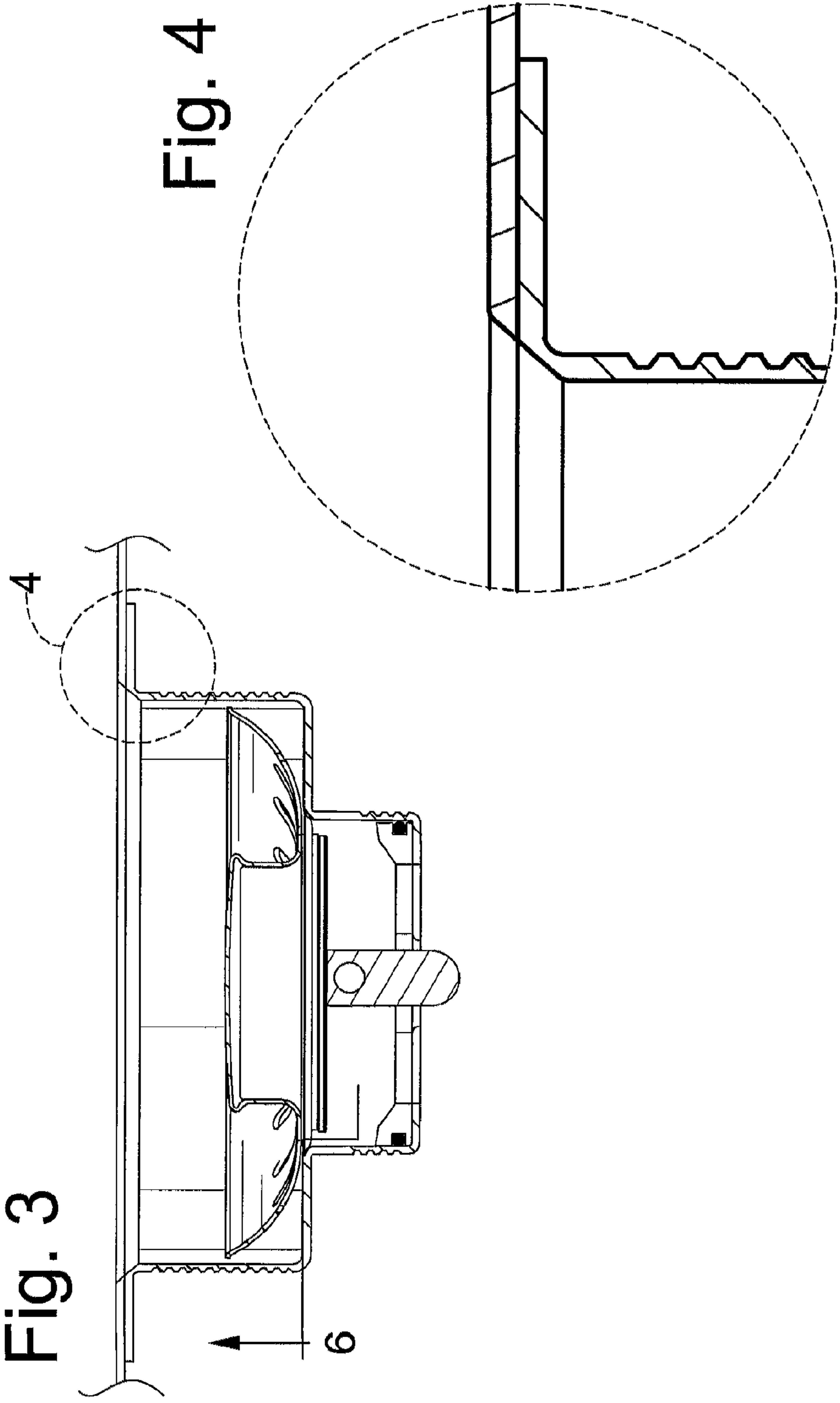
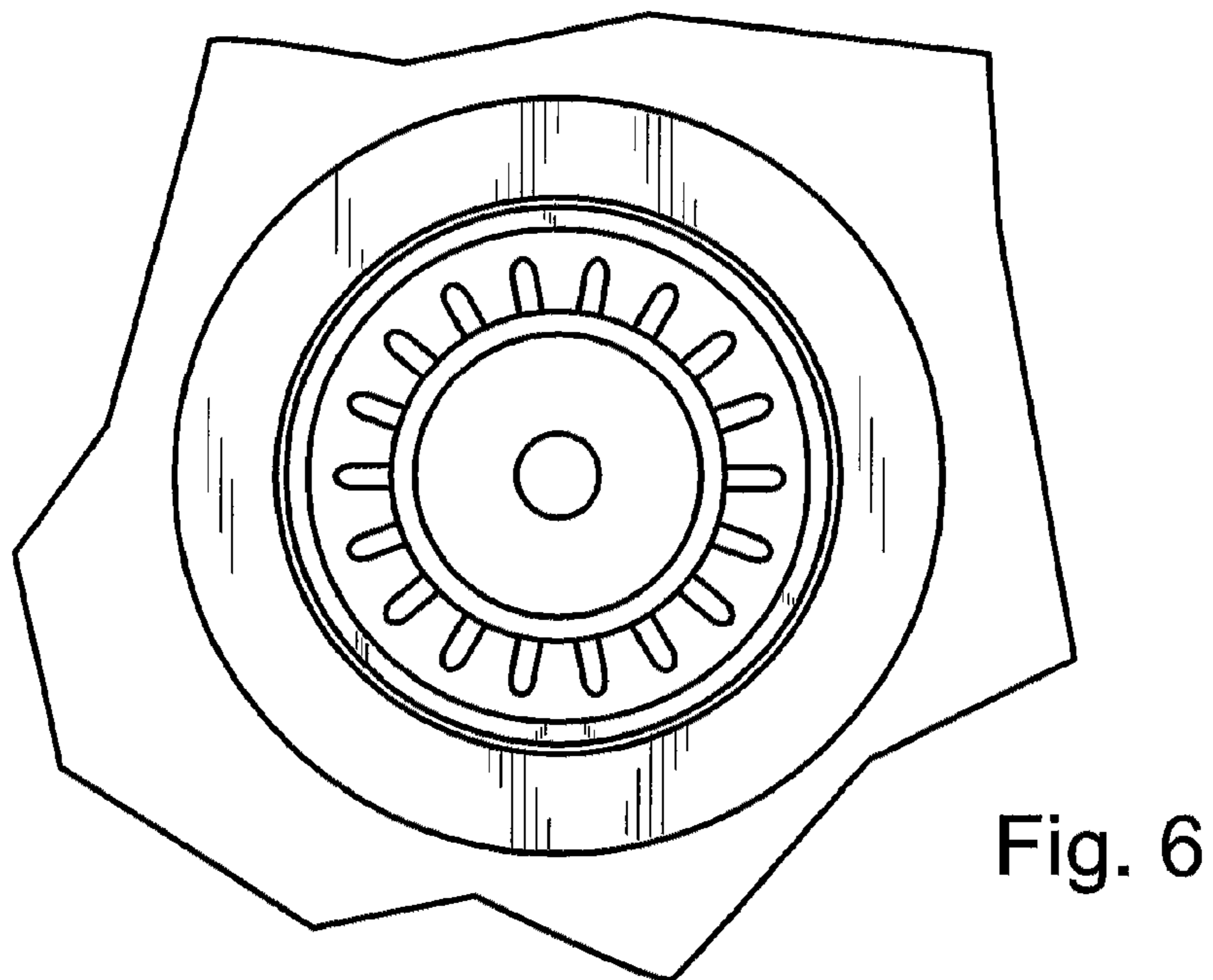
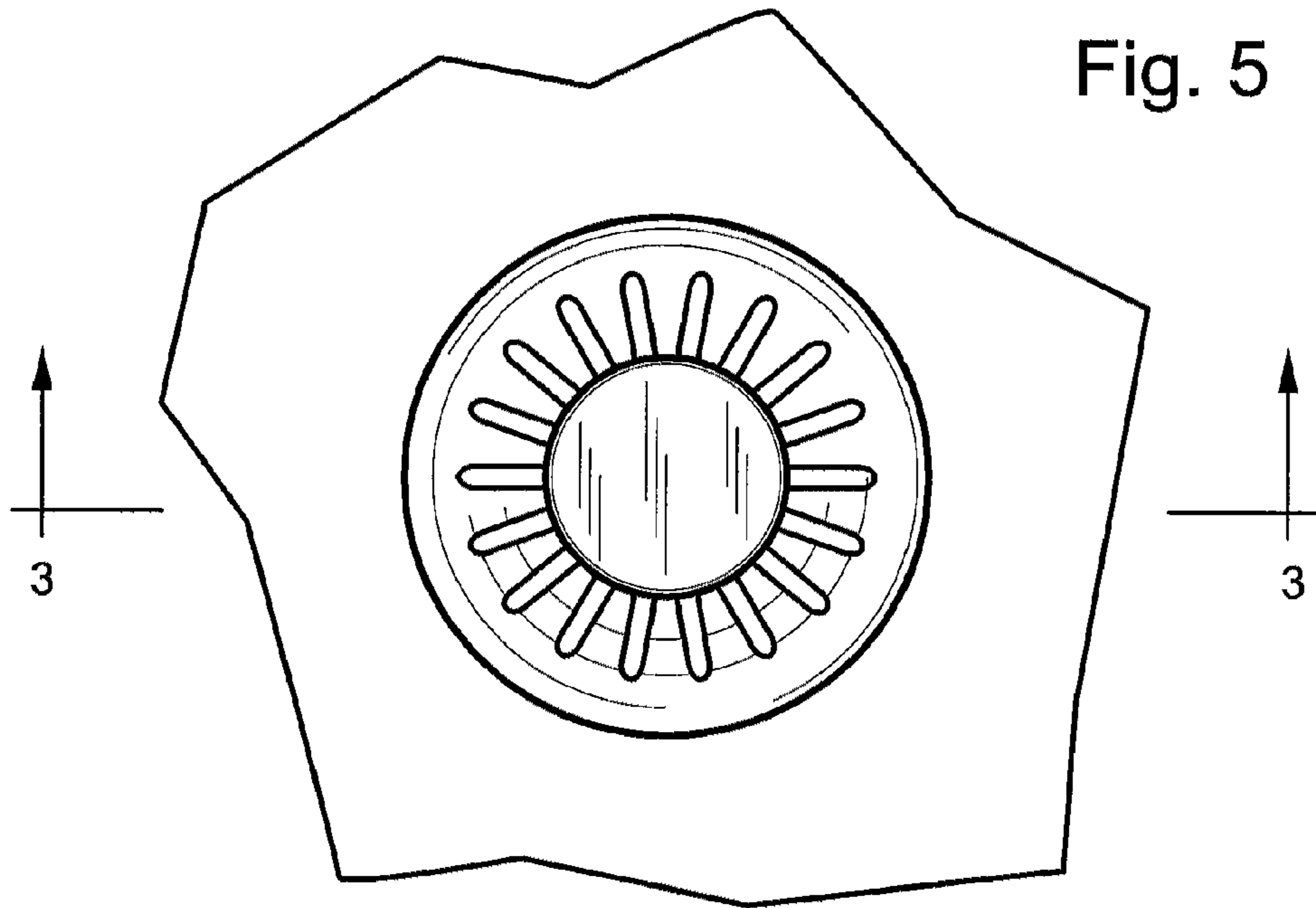


Fig. 2





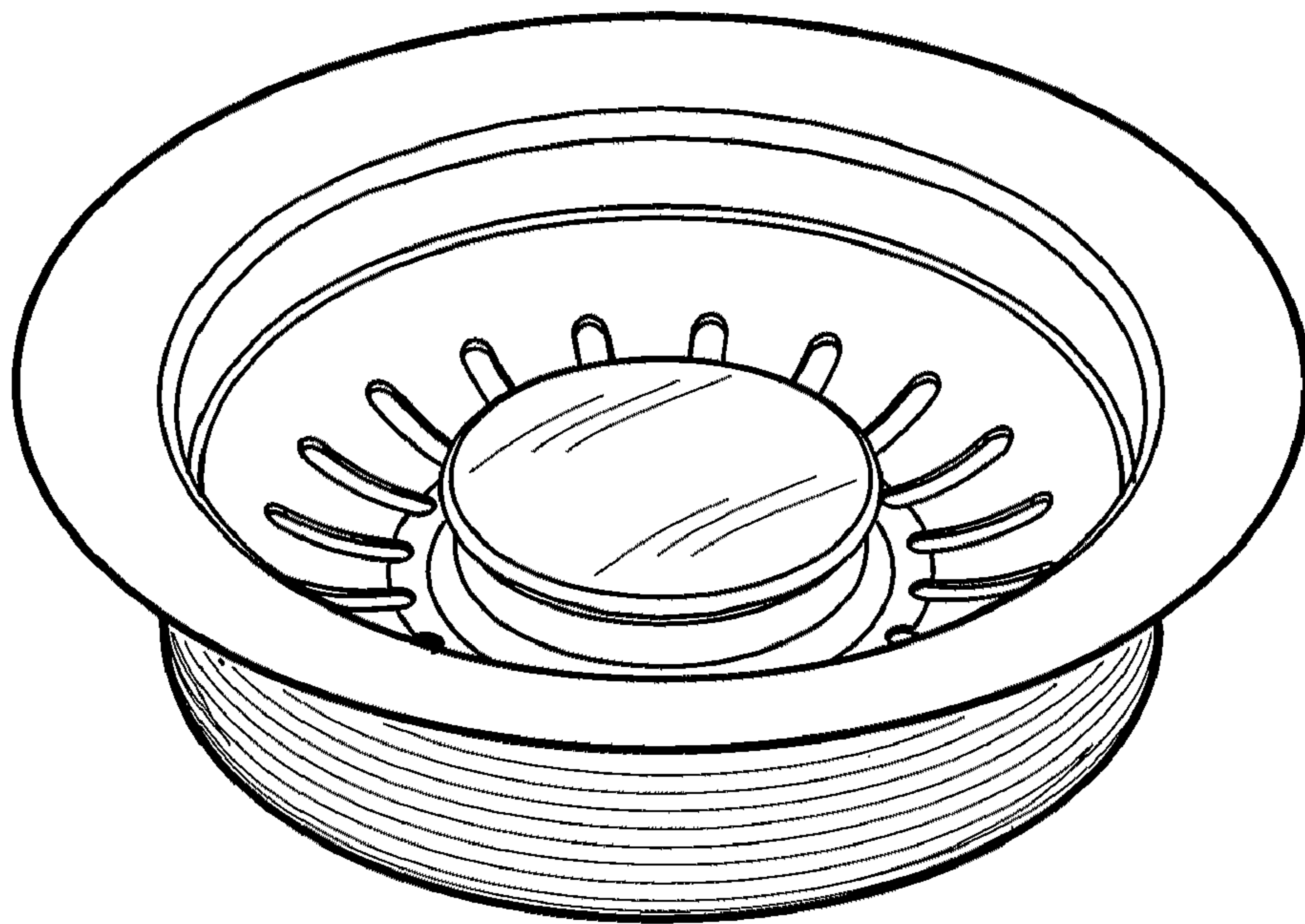


Fig. 7

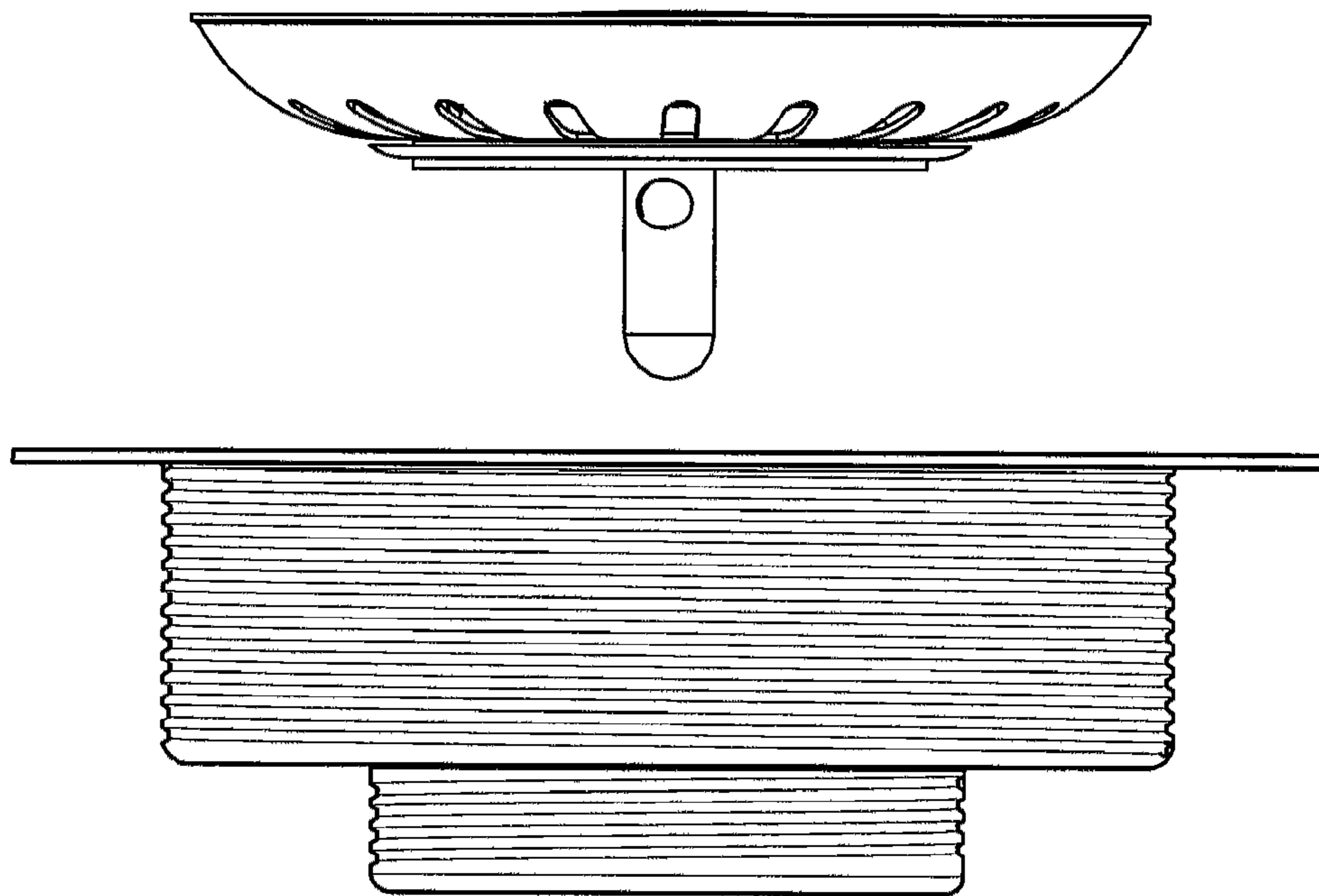


Fig. 8