



US00D677761S

(12) **United States Design Patent**
Lord

(10) **Patent No.:** **US D677,761 S**
(45) **Date of Patent:** **** Mar. 12, 2013**

(54) **FAUCET SPOUT**

(75) Inventor: **Judd Lord**, Fishers, IN (US)

(73) Assignee: **Masco Corporation of Indiana**,
Indianapolis, IN (US)

(**) Term: **14 Years**

(21) Appl. No.: **29/418,123**

(22) Filed: **Apr. 12, 2012**

(51) **LOC (9) Cl.** **23-02**

(52) **U.S. Cl.** **D23/255**

(58) **Field of Classification Search** D23/238,
D23/255, 257; 4/675-678; 137/801
See application file for complete search history.

(56) **References Cited**

U.S. PATENT DOCUMENTS

D510,411 S	*	10/2005	Lord	D23/238
D533,630 S	*	12/2006	Zetsche	D23/238
D594,532 S	*	6/2009	Schoenherr et al.	D23/238
D661,781 S	*	6/2012	McClure	D23/249

* cited by examiner

Primary Examiner — Robert Delehanty

(74) *Attorney, Agent, or Firm* — Edgar A. Zarins; Nirav D. Parikh; Lora J. Graentzdoerffer

(57) **CLAIM**

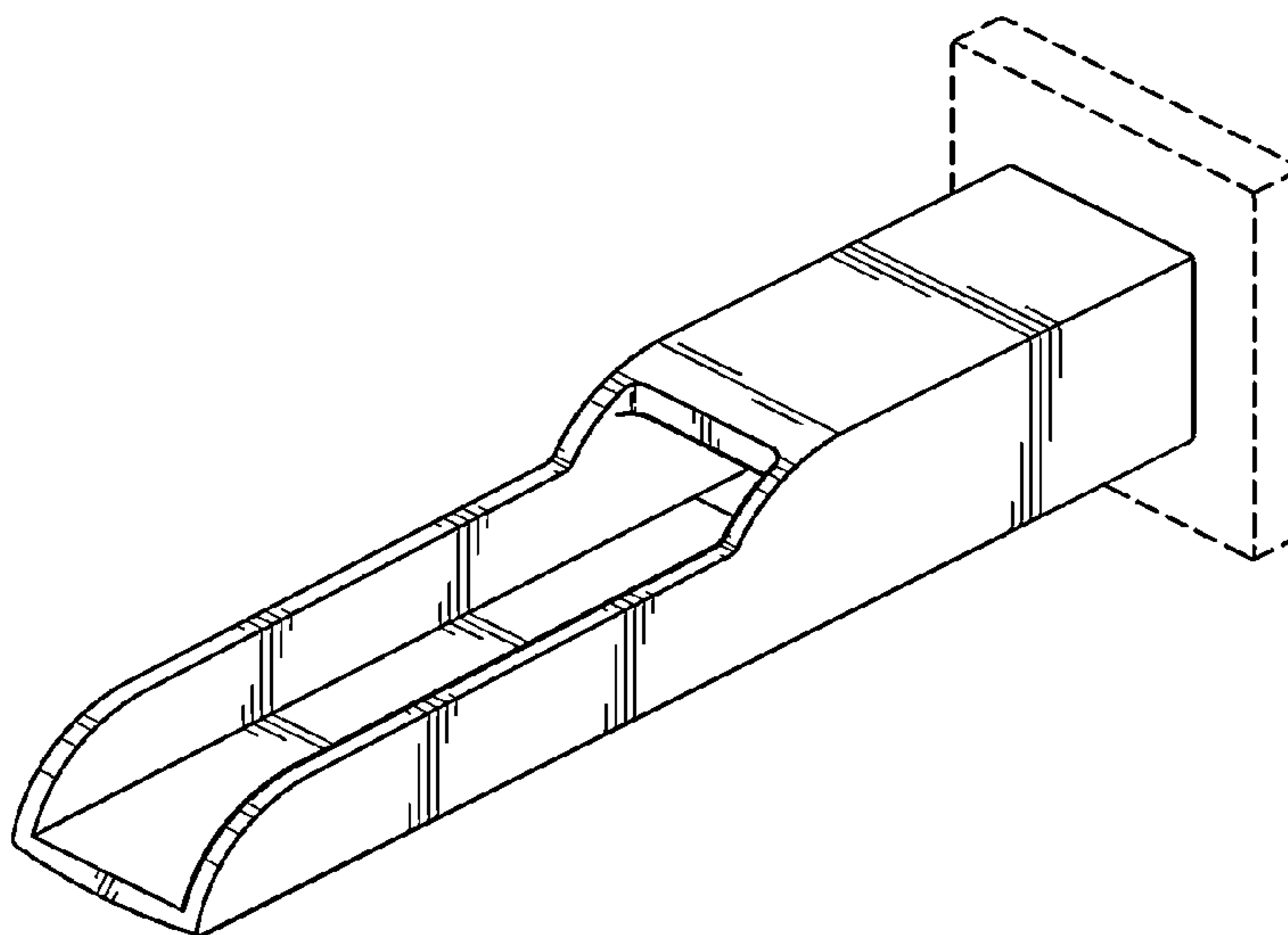
The ornamental design for a faucet spout, as shown and described.

DESCRIPTION

FIG. 1 is a perspective view of a faucet spout showing my new design;
FIG. 2 is a top plan view thereof;
FIG. 3 is a front view thereof;
FIG. 4 is a first side view thereof;
FIG. 5 is a second side view thereof; and,
FIG. 6 is a bottom view thereof.

The broken lines showing a portion of the faucet are included for the purpose of illustrating a portion of the faucet that forms no part of the claimed design.

1 Claim, 1 Drawing Sheet



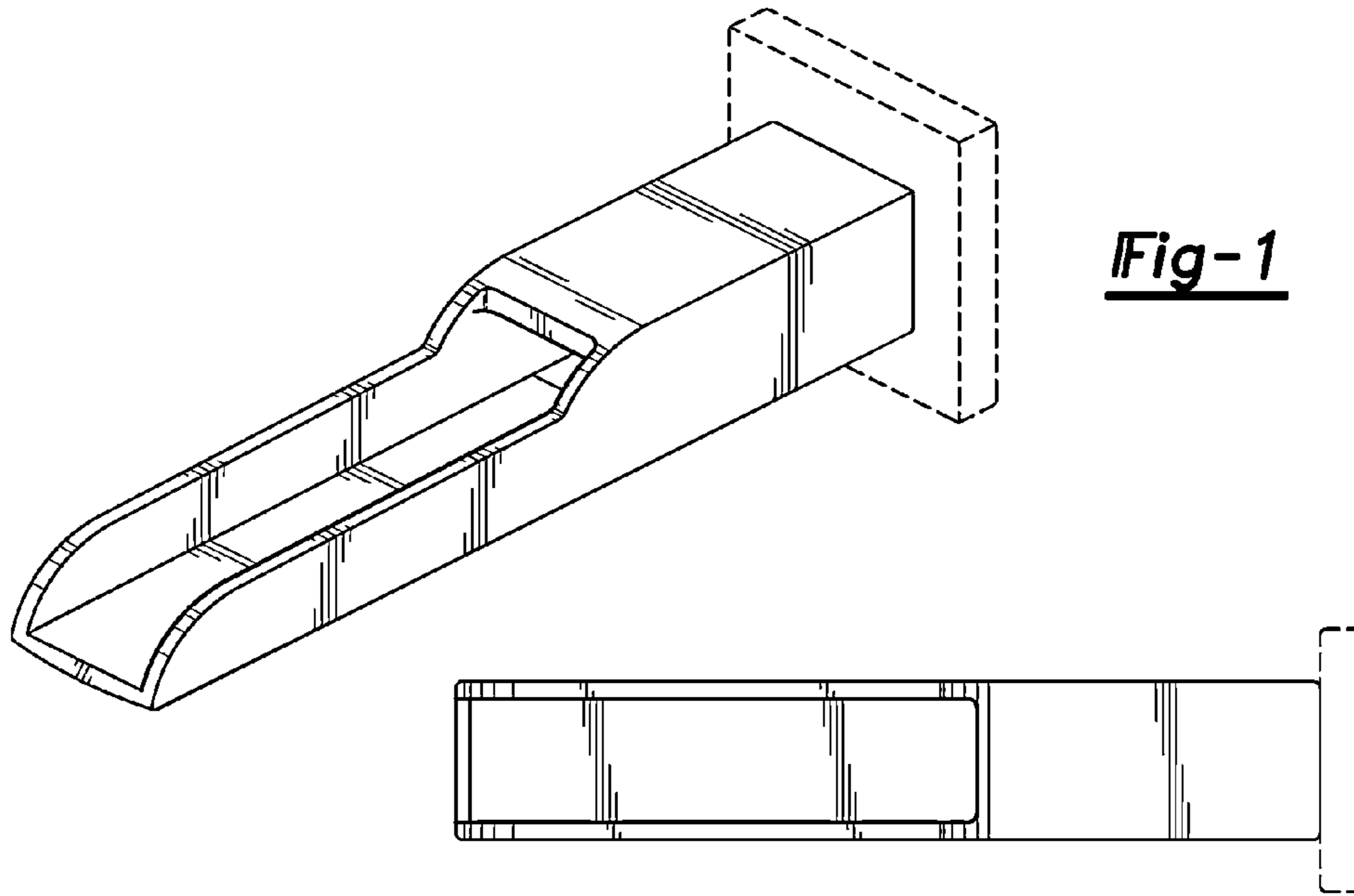


Fig-1

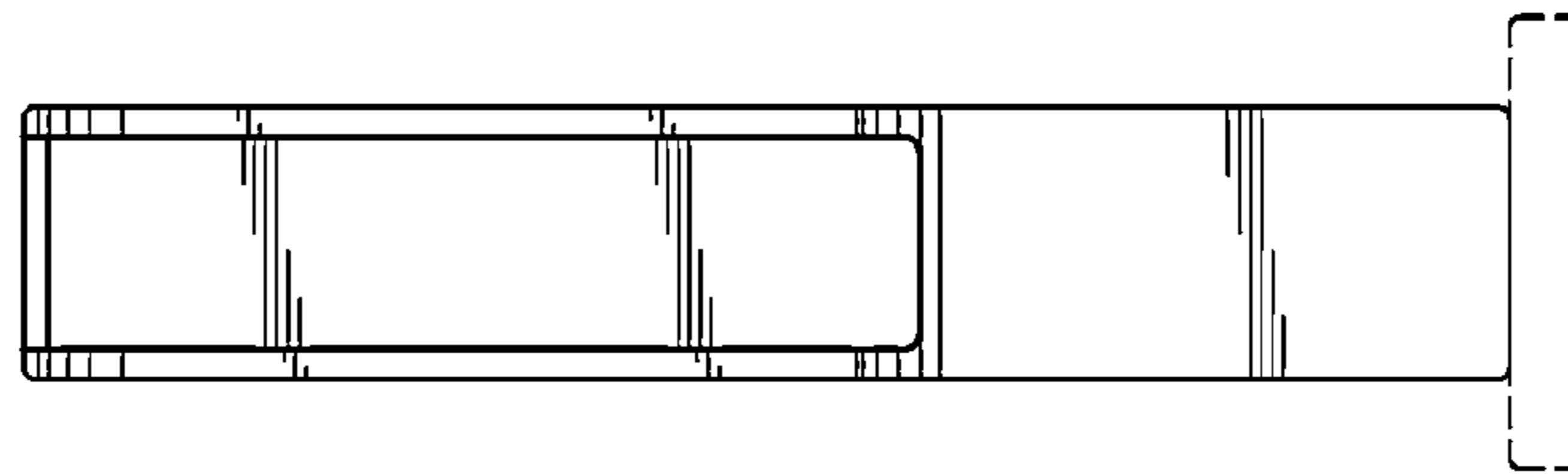


Fig-2

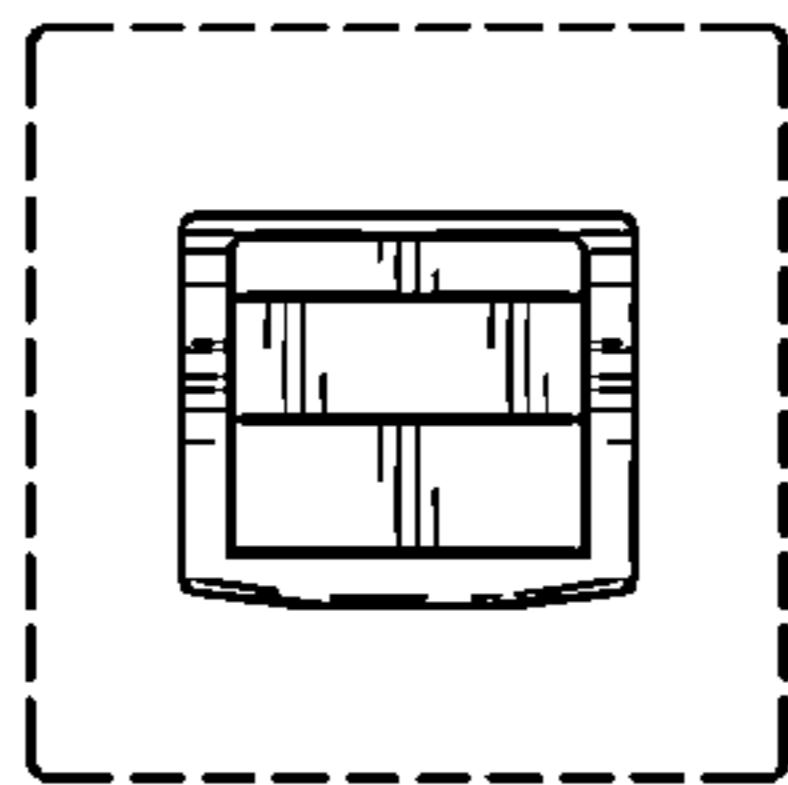


Fig-3

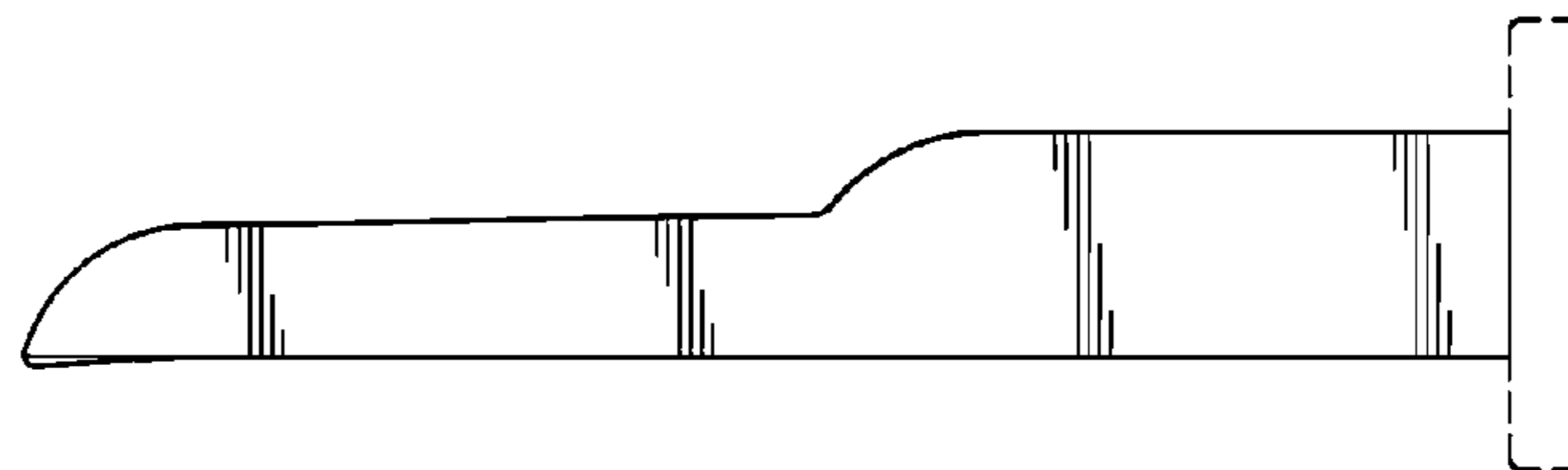


Fig-4

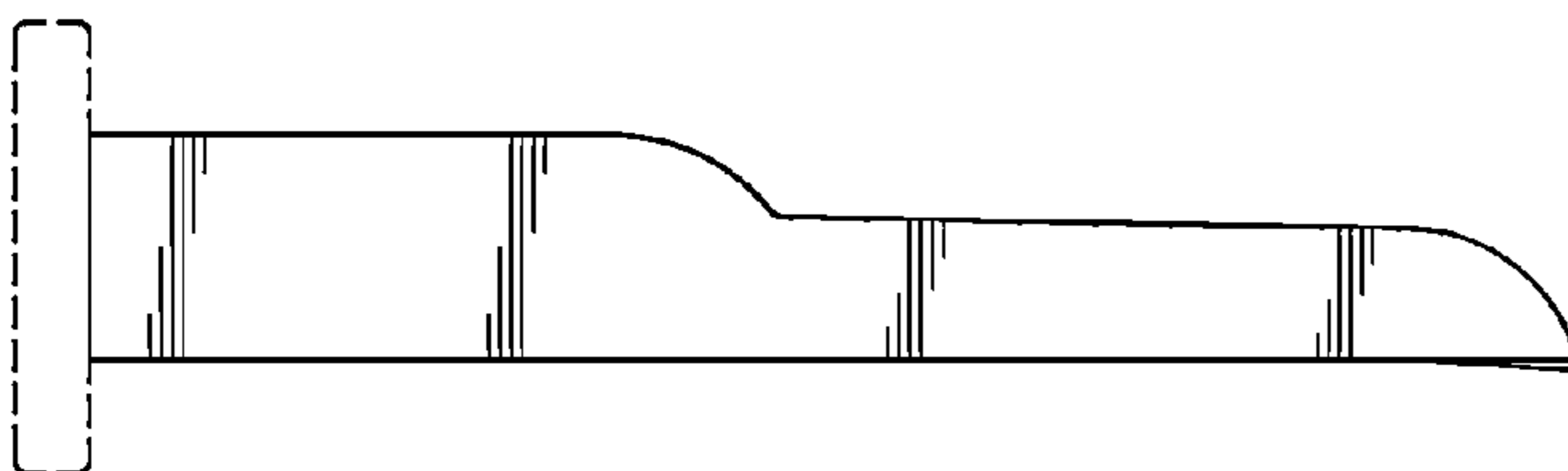


Fig-5

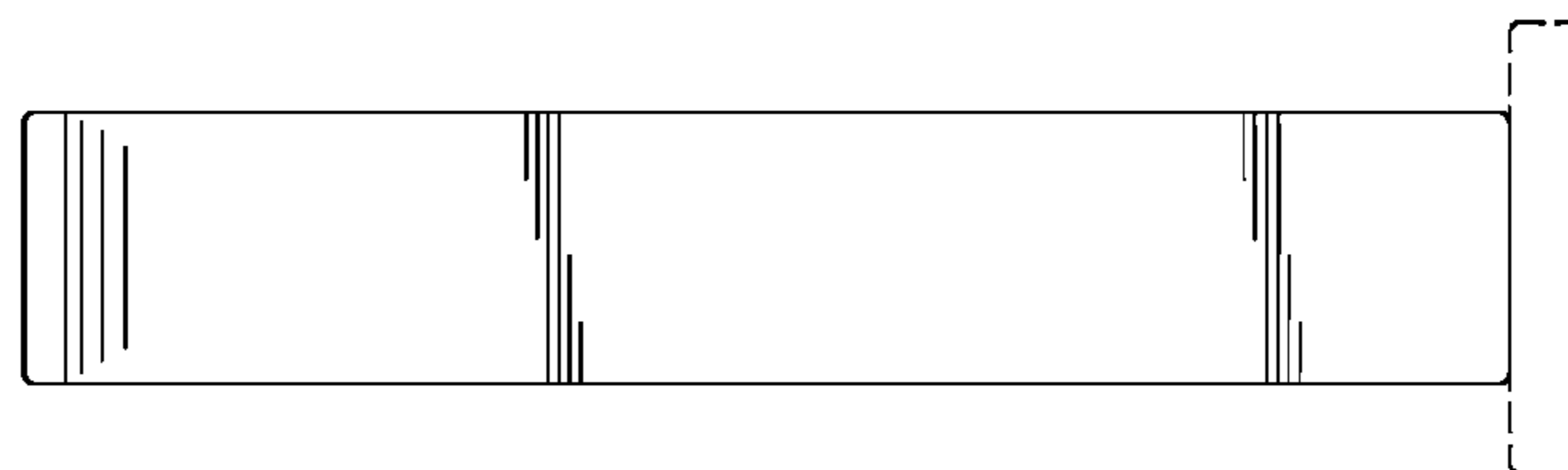


Fig-6