



US00D677759S

(12) **United States Design Patent**
Mendoza et al.

(10) **Patent No.:** **US D677,759 S**
(45) **Date of Patent:** **** Mar. 12, 2013**

(54) **HANDLE FOR FAUCET**
(75) Inventors: **Lea Mari Mendoza**, Morrow, GA (US);
Steven Chen, Morrow, GA (US);
Mitsuya Obara, Morrow, GA (US)

EM 000565882-0008 8/2006
EM 000565882-0012 8/2006
EM 000590559-0003 10/2006

(73) Assignee: **Toto Ltd.** (JP)

(**) Term: **14 Years**

(21) Appl. No.: **29/415,239**

(22) Filed: **Mar. 8, 2012**

(51) **LOC (9) Cl.** **23-01**
(52) **U.S. Cl.** **D23/252**
(58) **Field of Classification Search** D23/238-243,
D23/250, 252, 254, 249, 245; 4/675-678;
137/801

See application file for complete search history.

(56) **References Cited**

U.S. PATENT DOCUMENTS

D179,659 S 2/1957 Schoepe
D300,238 S 3/1989 Kohler, Jr. et al.
D459,445 S 6/2002 Mullenmeister
D531,275 S * 10/2006 Tsai D23/254
D534,250 S 12/2006 Barry
D574,061 S 7/2008 Rexach
D631,529 S * 1/2011 Ko D23/238

FOREIGN PATENT DOCUMENTS

DE M9309853-0007 5/1994
EM 000565882-0006 8/2006

OTHER PUBLICATIONS

Pending U.S. Appl. No. 29/415,234, filed Mar. 8, 2012.
Pending U.S. Appl. No. 29/415,237, filed Mar. 8, 2012.

* cited by examiner

Primary Examiner — Robert Delehanty

(74) *Attorney, Agent, or Firm* — Banner & Witcoff, Ltd.

(57) **CLAIM**

The ornamental design for a handle for faucet, as shown and described.

DESCRIPTION

FIG. 1 is a perspective view of front, top and right side of a handle for faucet according to our new design;

FIG. 2 is a front view thereof;

FIG. 3 is a rear view thereof;

FIG. 4 is a left side view thereof;

FIG. 5 is a right side view thereof;

FIG. 6 is a top view thereof; and,

FIG. 7 is a bottom view thereof.

The portions of the article in broken lines are shown for illustrative purposes only and form no part of the claimed design.

1 Claim, 7 Drawing Sheets

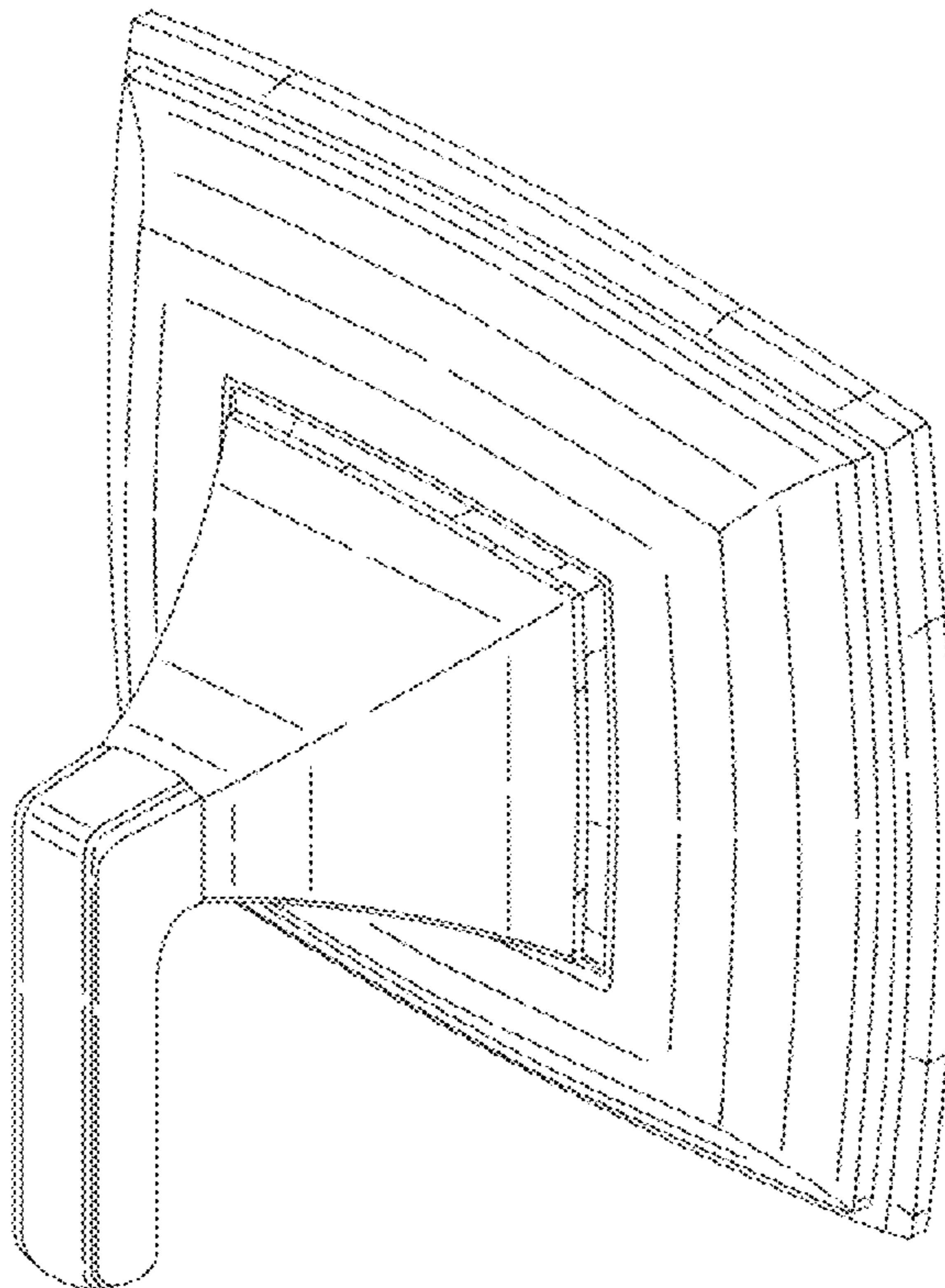


Fig. 1

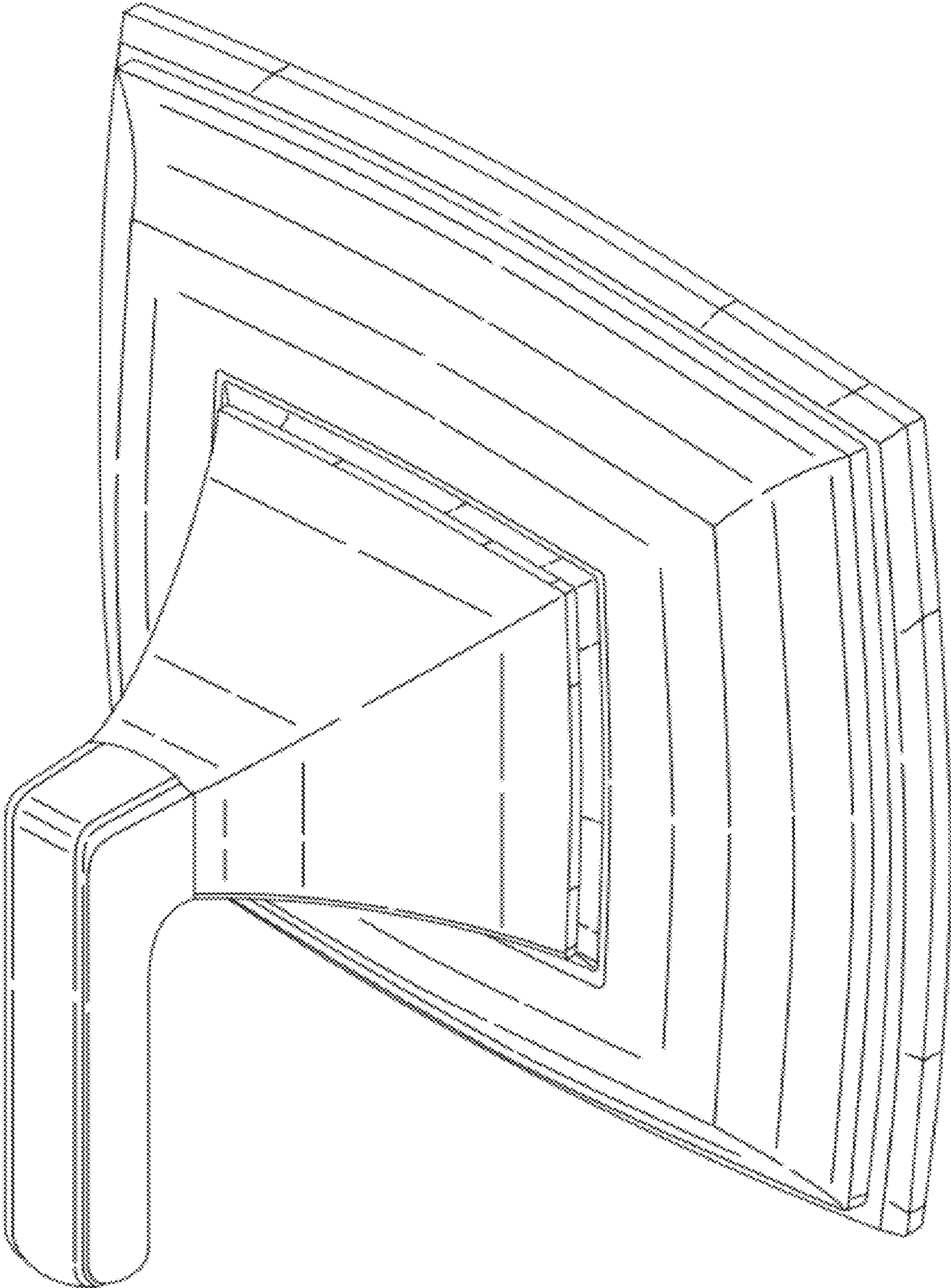


Fig. 2

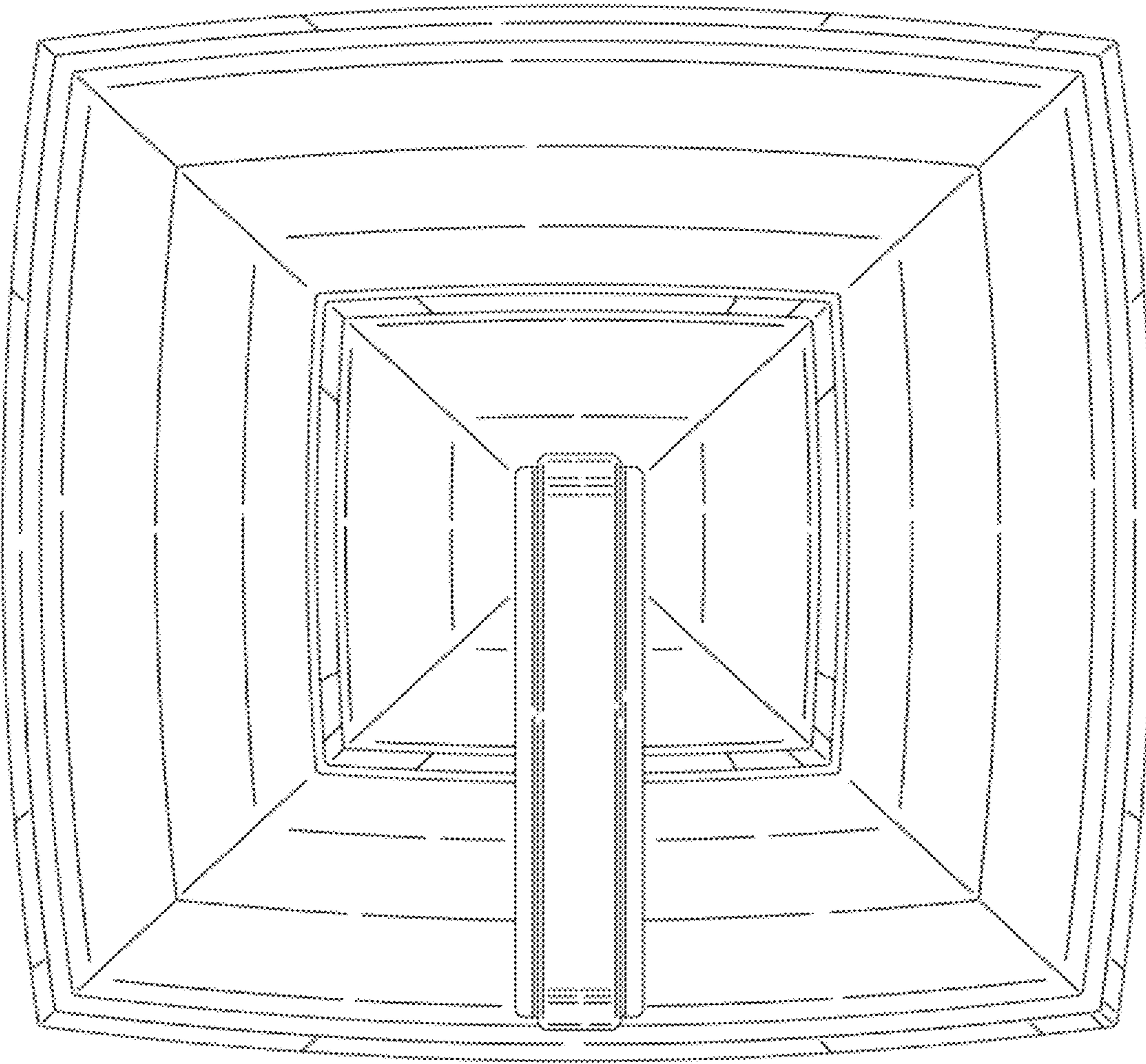


Fig. 3

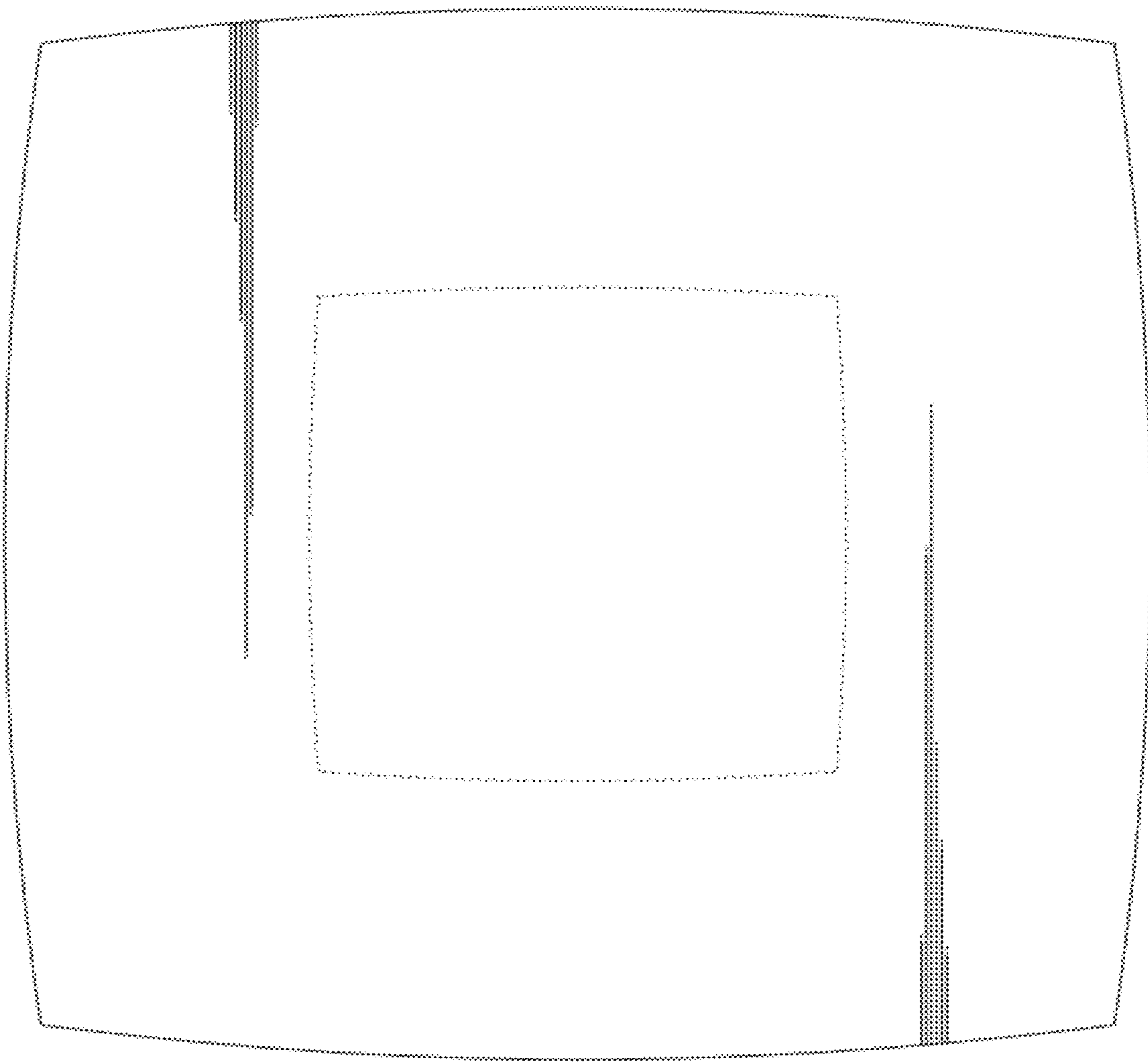


Fig. 4

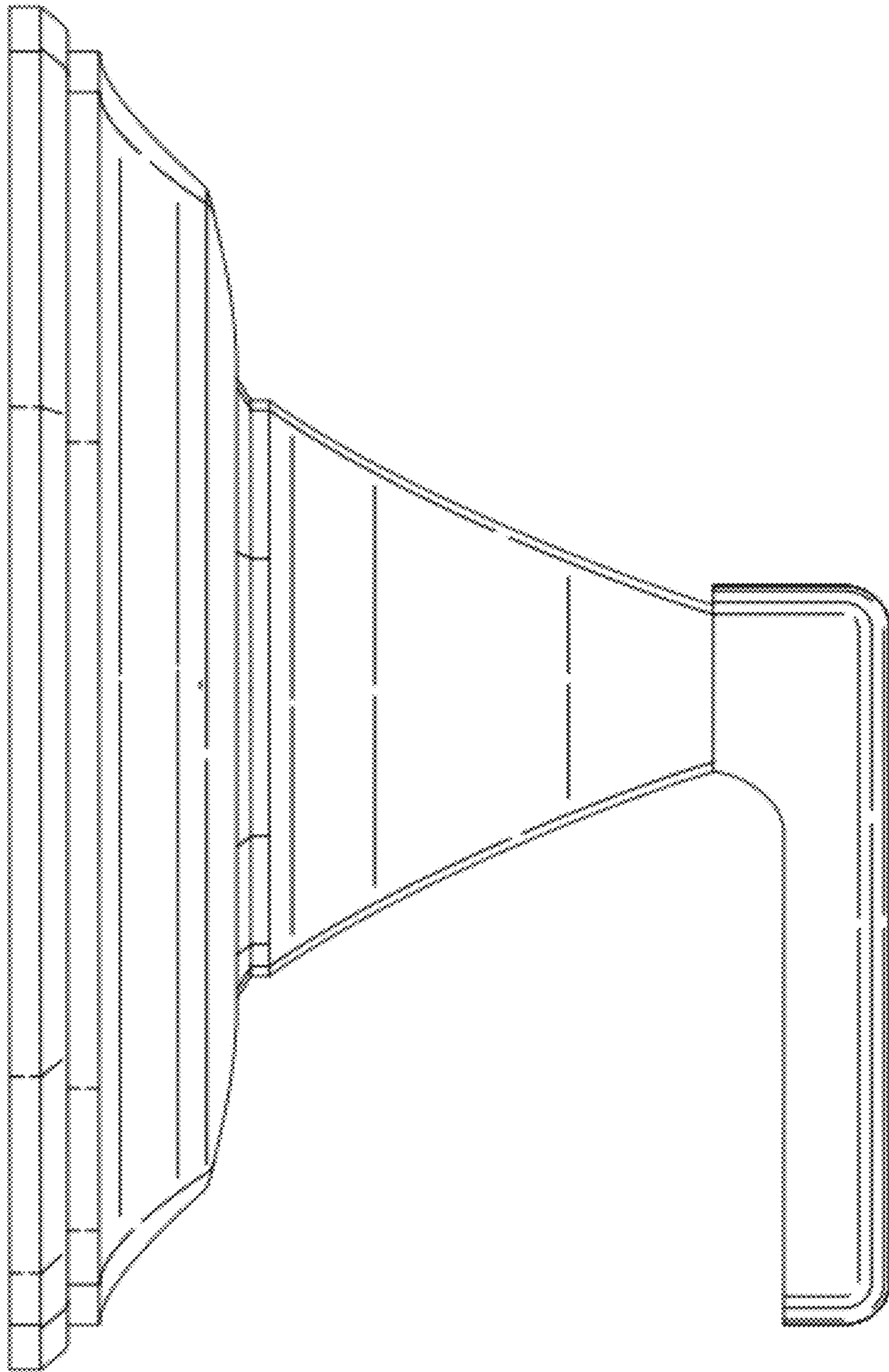


Fig. 5

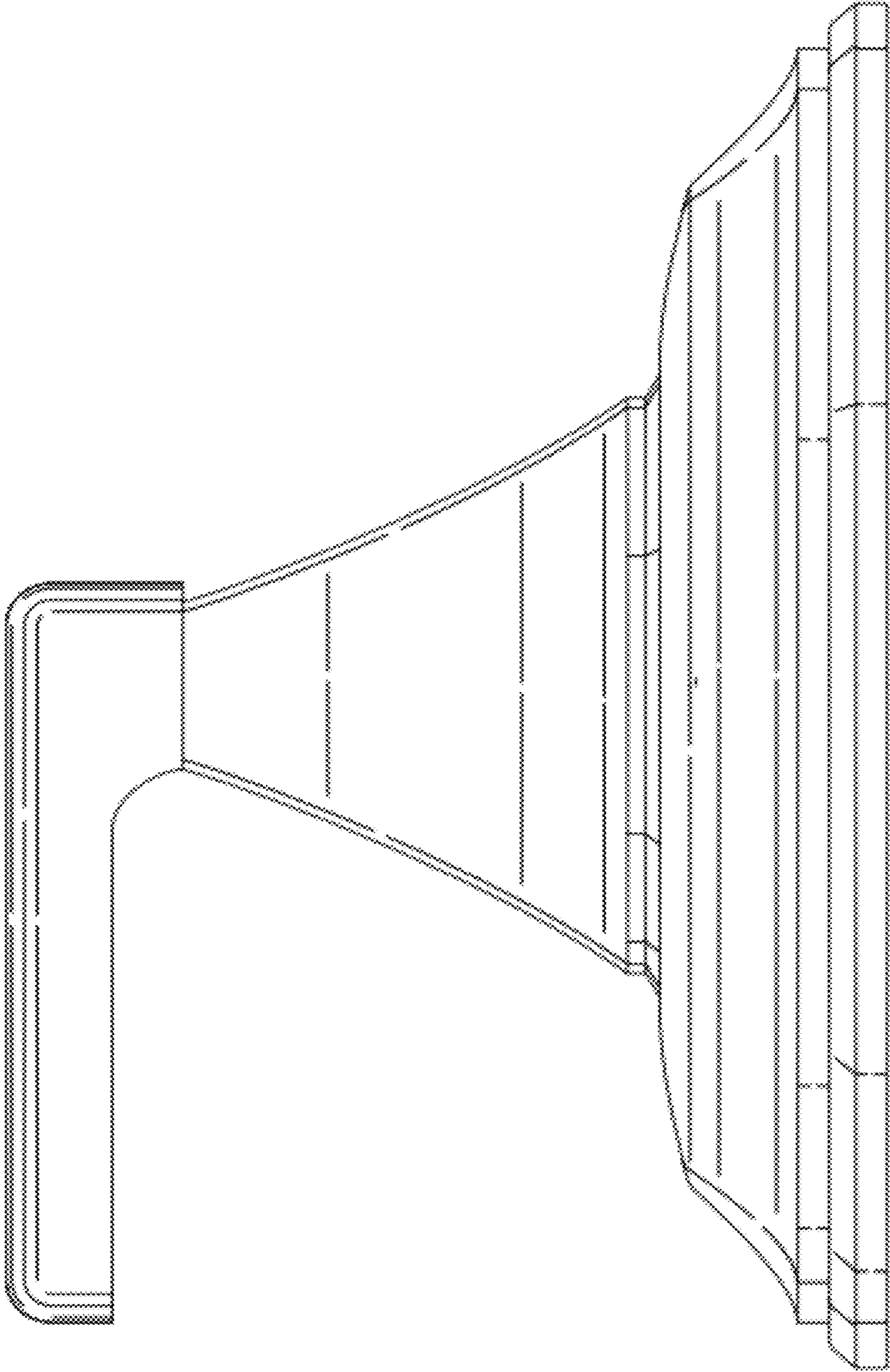


Fig. 6

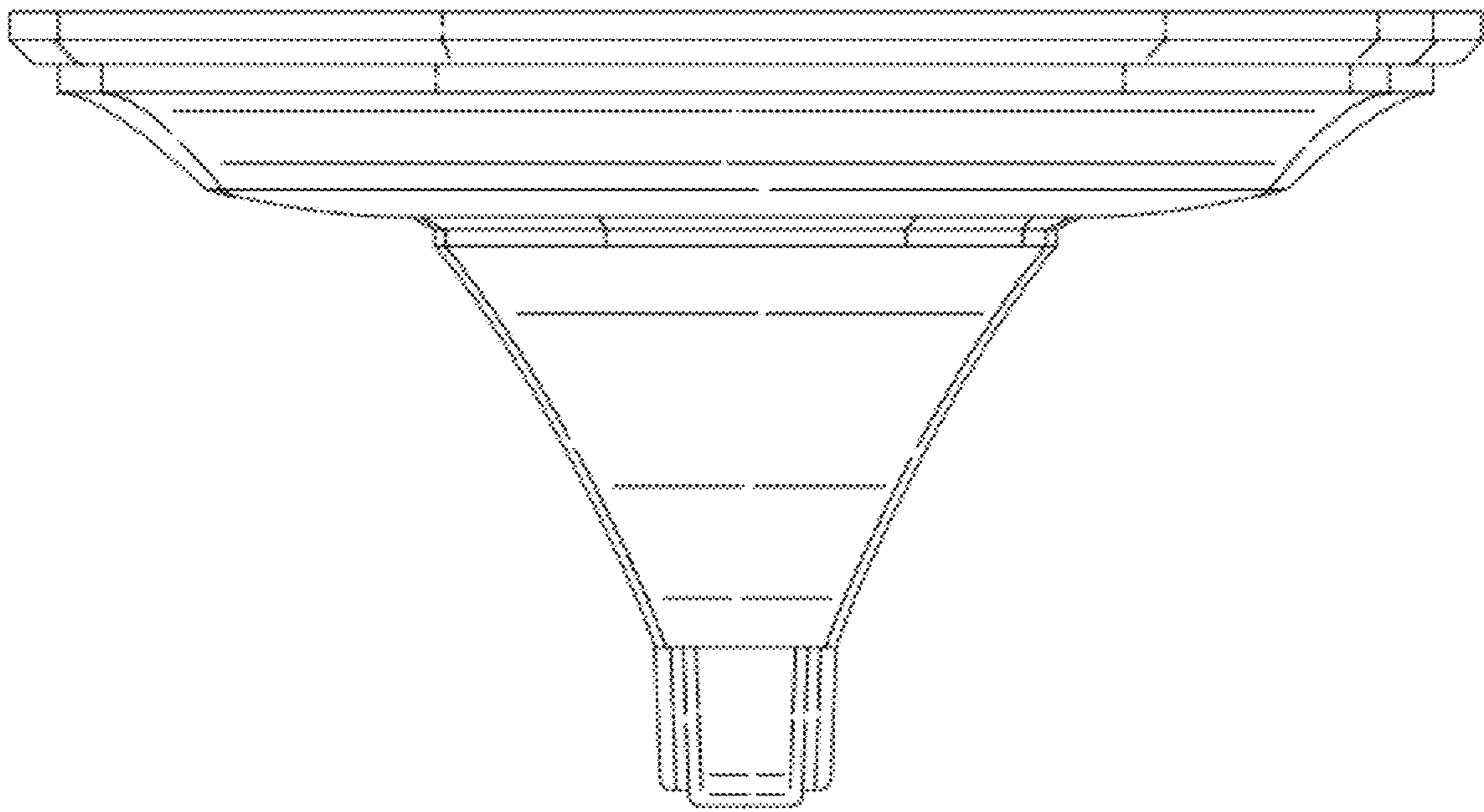


Fig. 7

