



US00D677758S

(12) **United States Design Patent**  
**Mendoza et al.**

(10) **Patent No.:** **US D677,758 S**  
(45) **Date of Patent:** **\*\* Mar. 12, 2013**

(54) **HANDLE FOR FAUCET**  
(75) Inventors: **Lea Mari Mendoza**, Morrow, GA (US);  
**Steven Chen**, Morrow, GA (US);  
**Mitsuya Obara**, Morrow, GA (US)

EM 000565882-0008 8/2006  
EM 000565882-0012 8/2006  
EM 000590559-0003 10/2006

(73) Assignee: **Toto Ltd.** (JP)

(\*\*) Term: **14 Years**

(21) Appl. No.: **29/415,237**

(22) Filed: **Mar. 8, 2012**

(51) **LOC (9) Cl.** ..... **23-01**  
(52) **U.S. Cl.** ..... **D23/252**  
(58) **Field of Classification Search** ..... D23/238-243,  
D23/250, 252, 254, 249, 245; 4/675-678;  
137/801

See application file for complete search history.

(56) **References Cited**

**U.S. PATENT DOCUMENTS**

D179,659 S 2/1957 Schoepe  
D300,238 S 3/1989 Kohler, Jr. et al.  
D459,445 S 6/2002 Mullenmeister  
D531,275 S \* 10/2006 Tsai ..... D23/254  
D534,250 S 12/2006 Barry  
D574,061 S 7/2008 Rexach  
D600,320 S \* 9/2009 Miyamoto et al. .... D23/238

**FOREIGN PATENT DOCUMENTS**

DE M9309853-0007 5/1994  
EM 000565882-0006 8/2006

**OTHER PUBLICATIONS**

Pending U.S. Appl. No. 29/415,234, filed Mar. 8, 2012.  
Pending U.S. Appl. No. 29/415,239, filed Mar. 8, 2012.

\* cited by examiner

*Primary Examiner* — Robert Delehanty

(74) *Attorney, Agent, or Firm* — Banner & Witcoff, Ltd.

(57) **CLAIM**

The ornamental design for a handle for faucet, as shown and described.

**DESCRIPTION**

FIG. 1 is a perspective view of front, top and right side of a handle for faucet according to our new design;

FIG. 2 is a front view thereof;

FIG. 3 is a rear view thereof;

FIG. 4 is a left side view thereof;

FIG. 5 is a right side view thereof;

FIG. 6 is a top view thereof; and,

FIG. 7 is a bottom view thereof.

The portions of the article in broken lines are shown for illustrative purposes only and form no part of the claimed design.

**1 Claim, 7 Drawing Sheets**

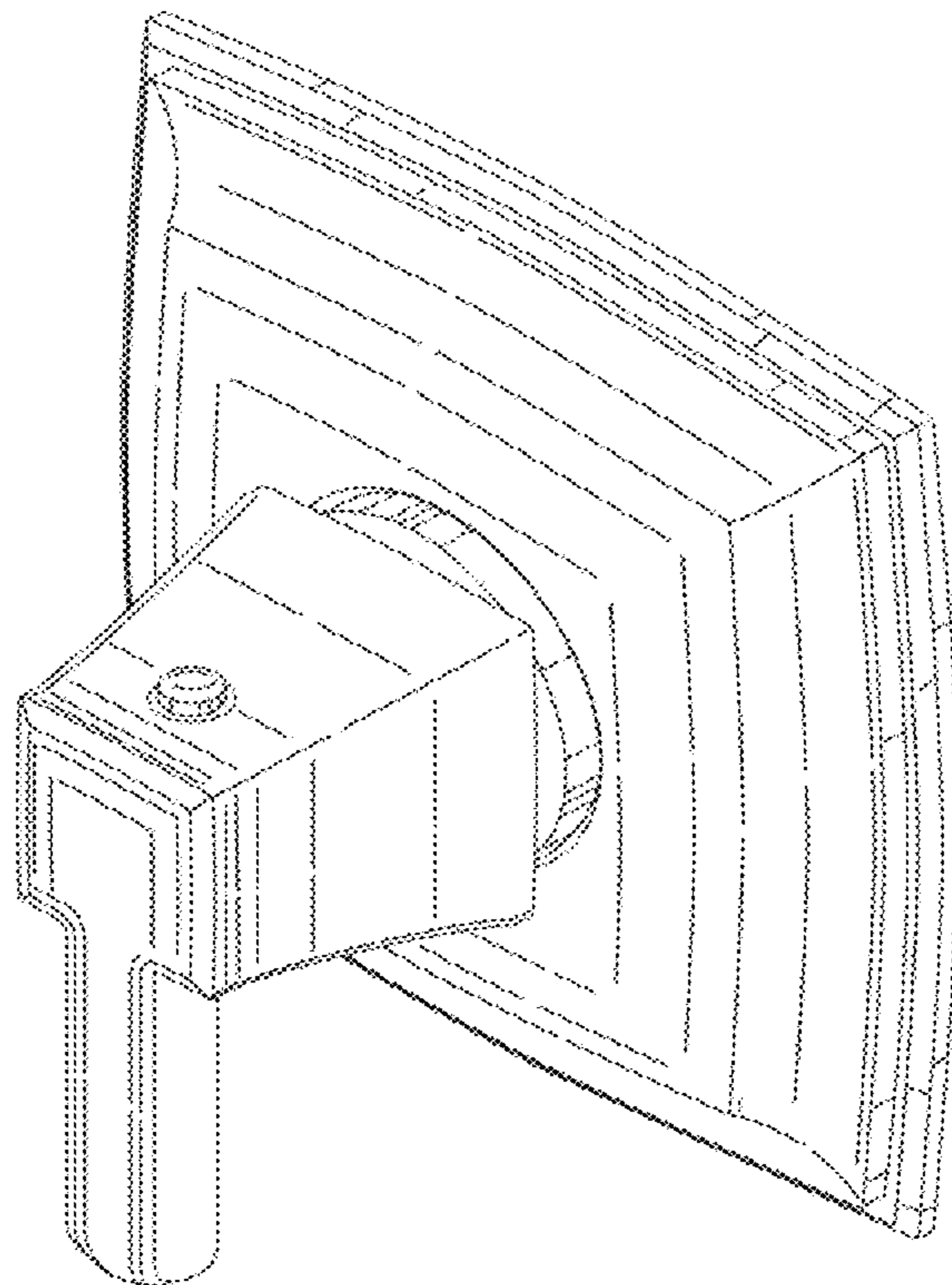


Fig. 1

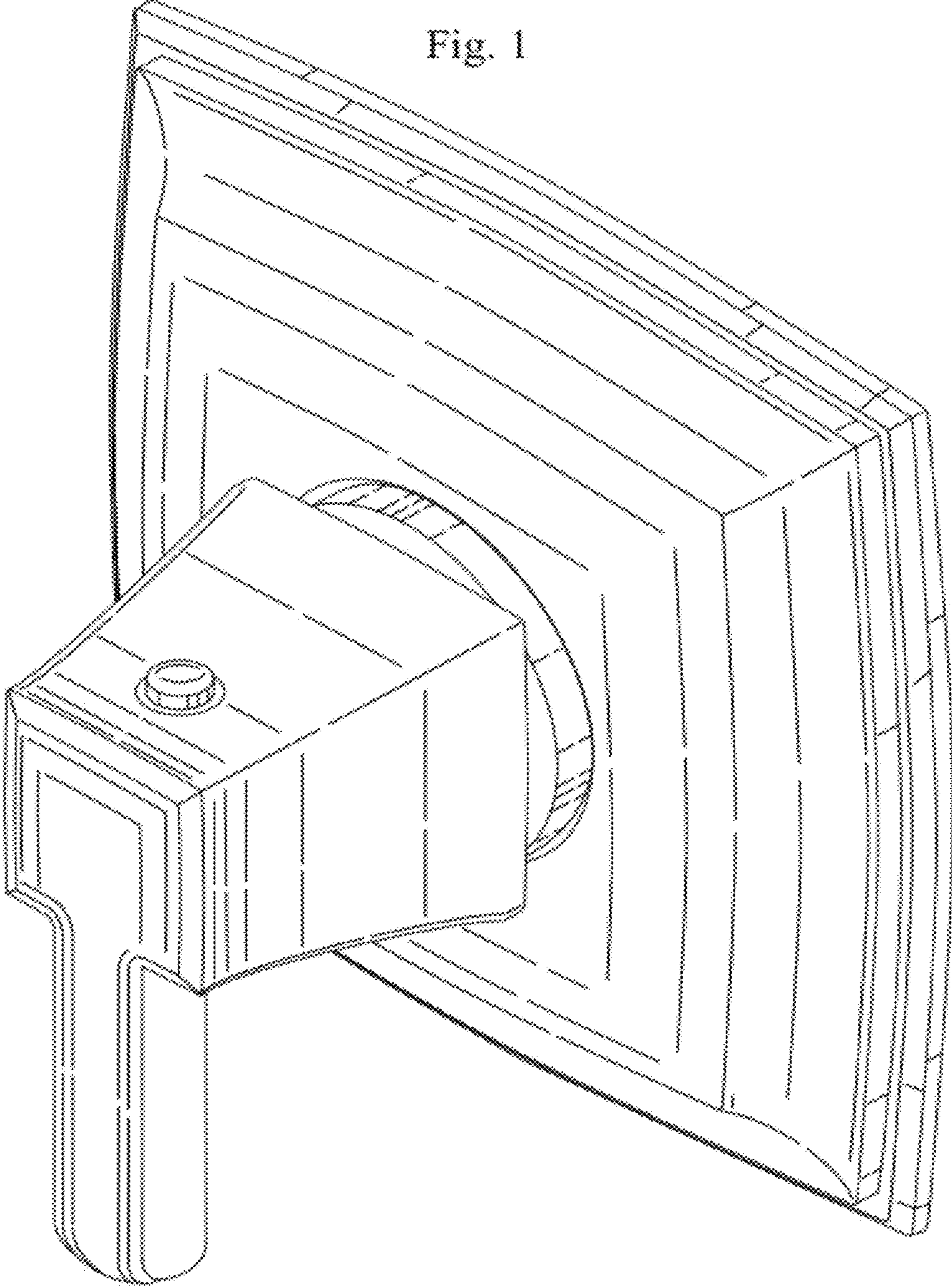


Fig. 2

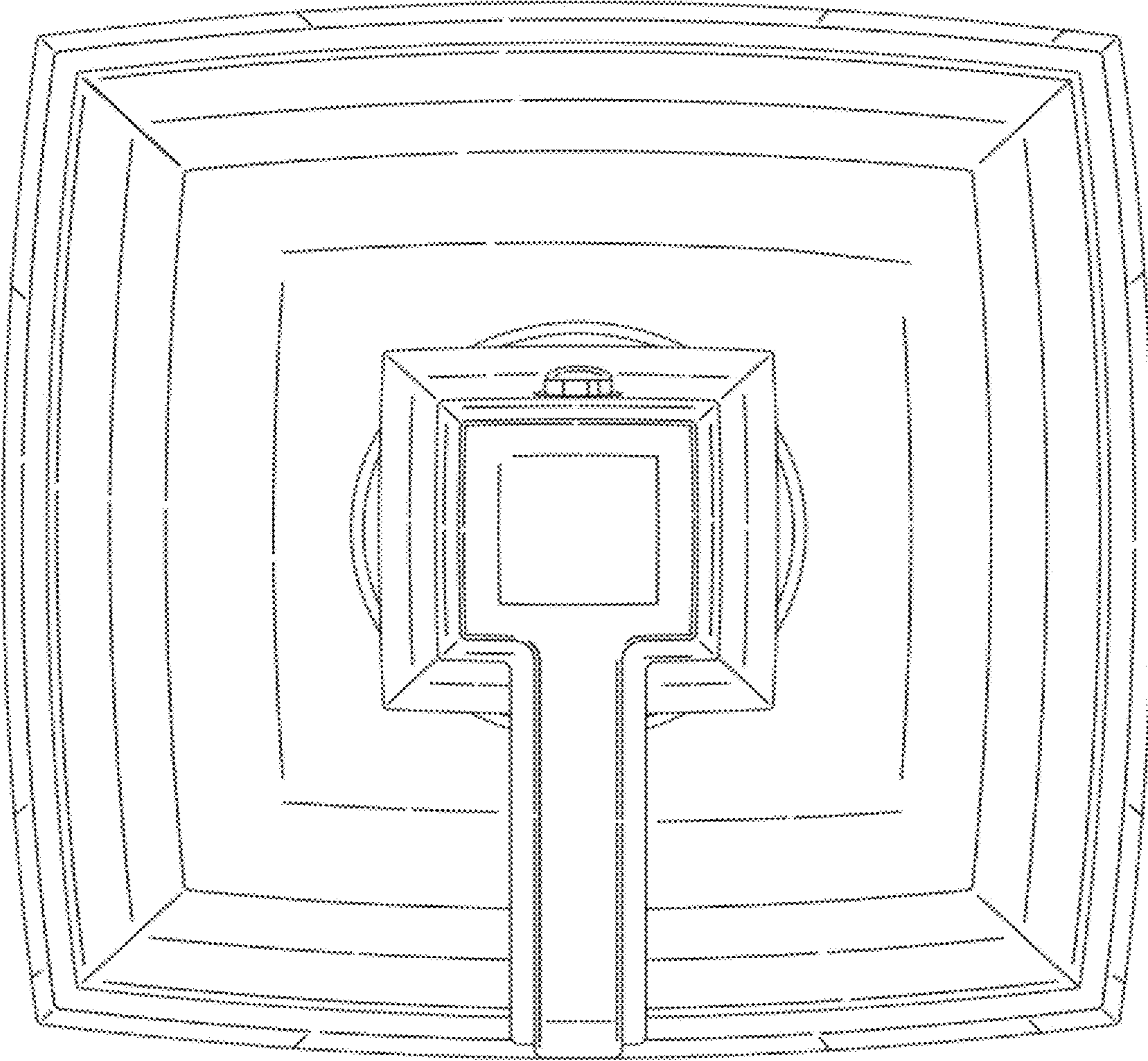


Fig. 3

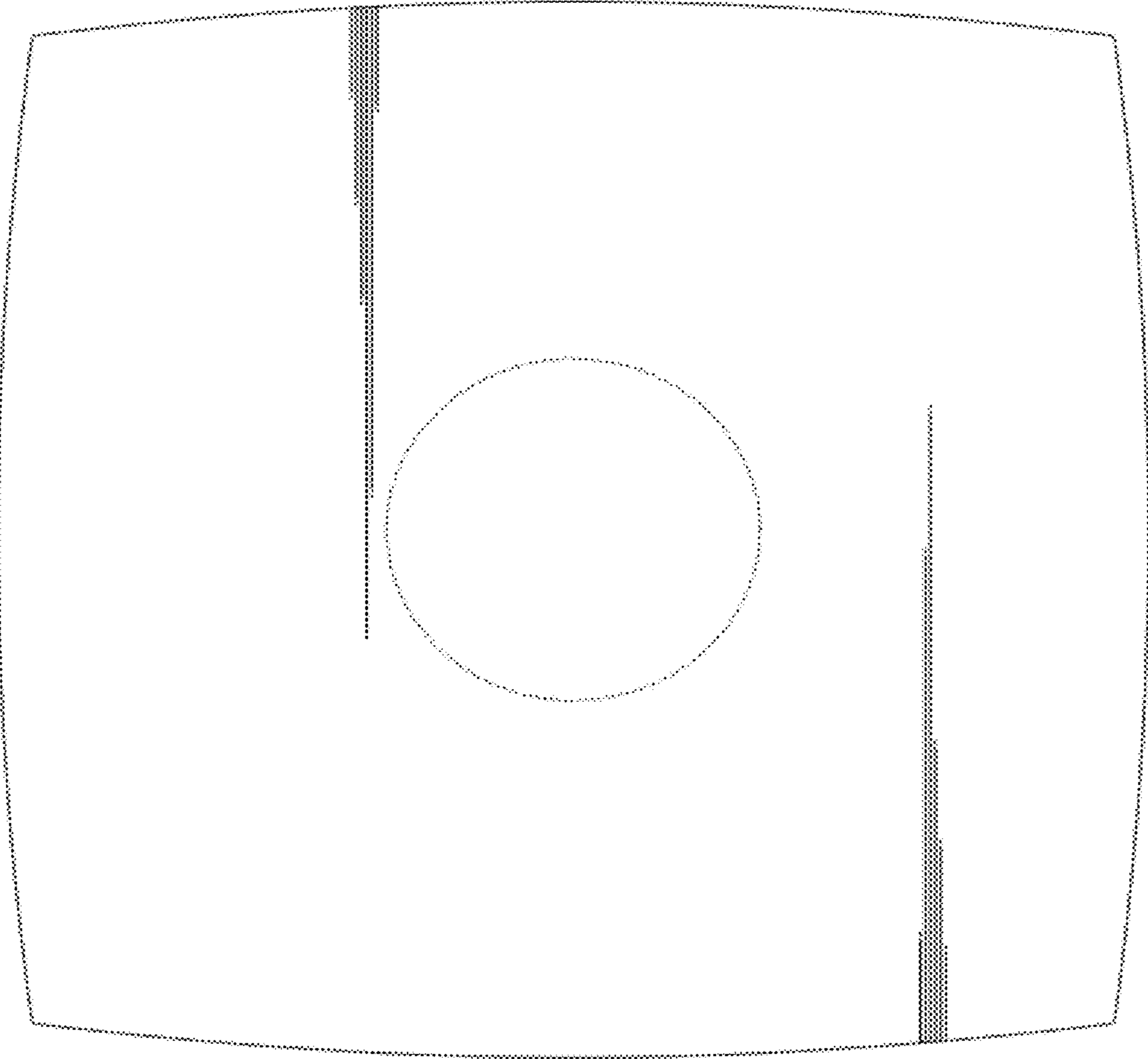


Fig. 4

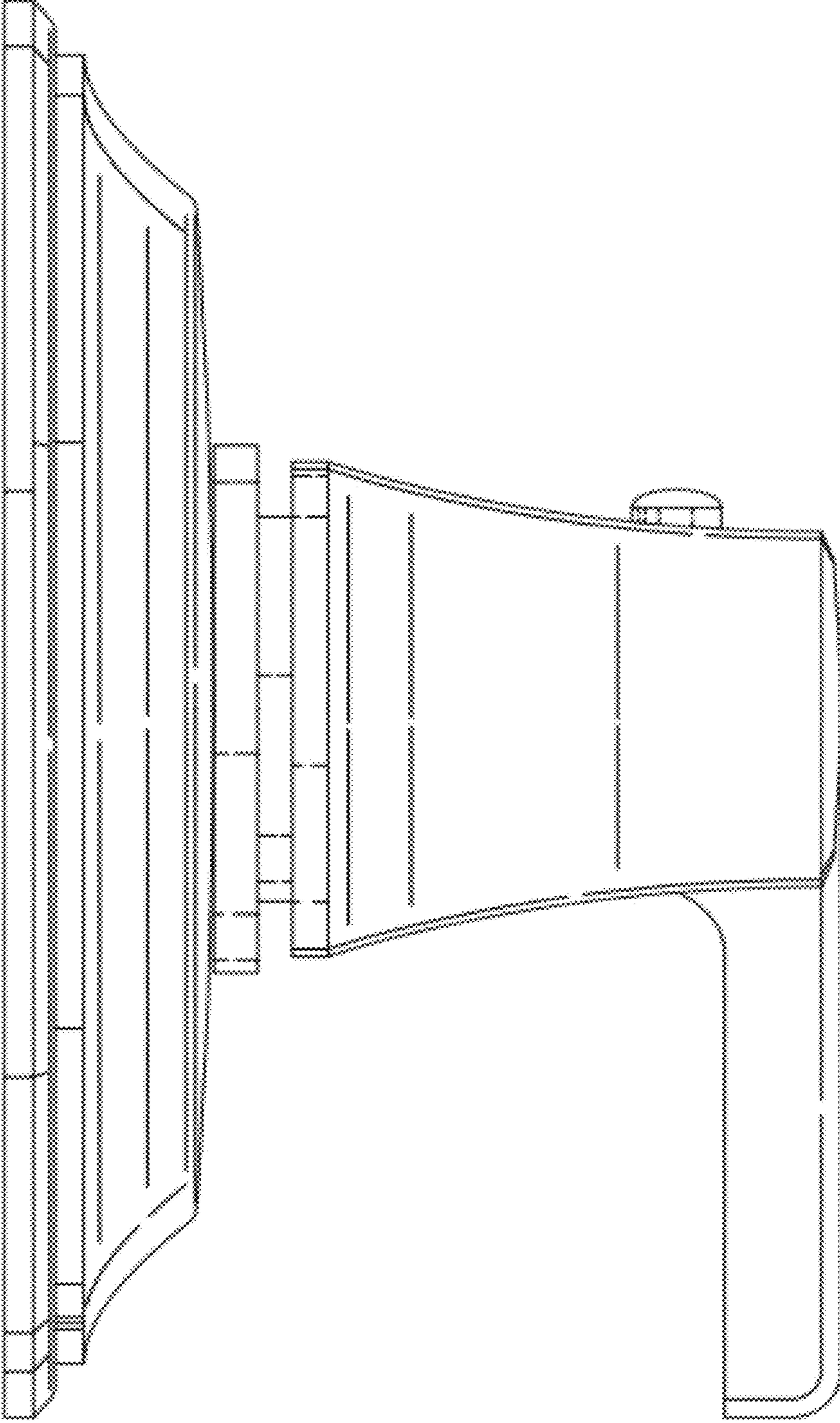


Fig. 5

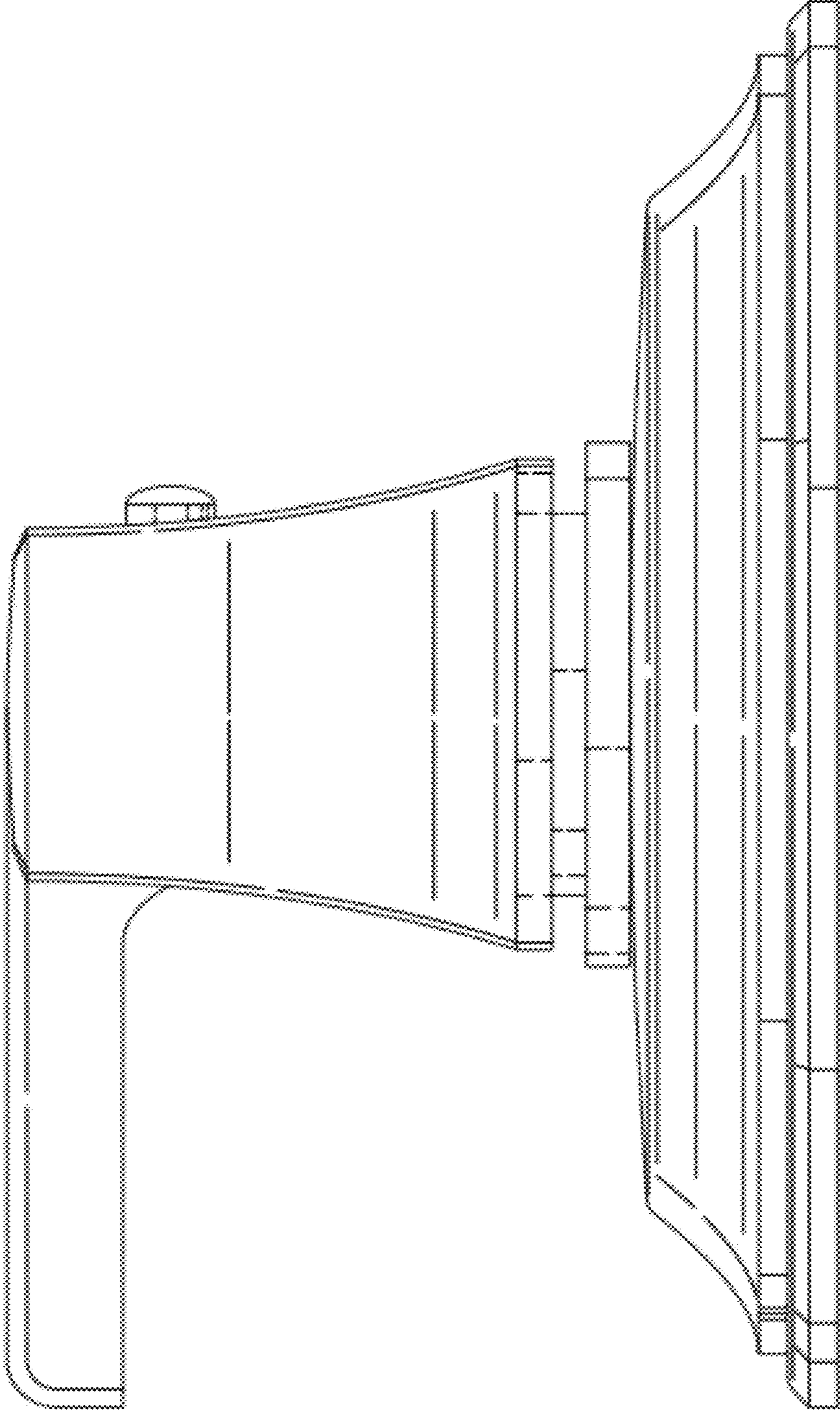


Fig. 6

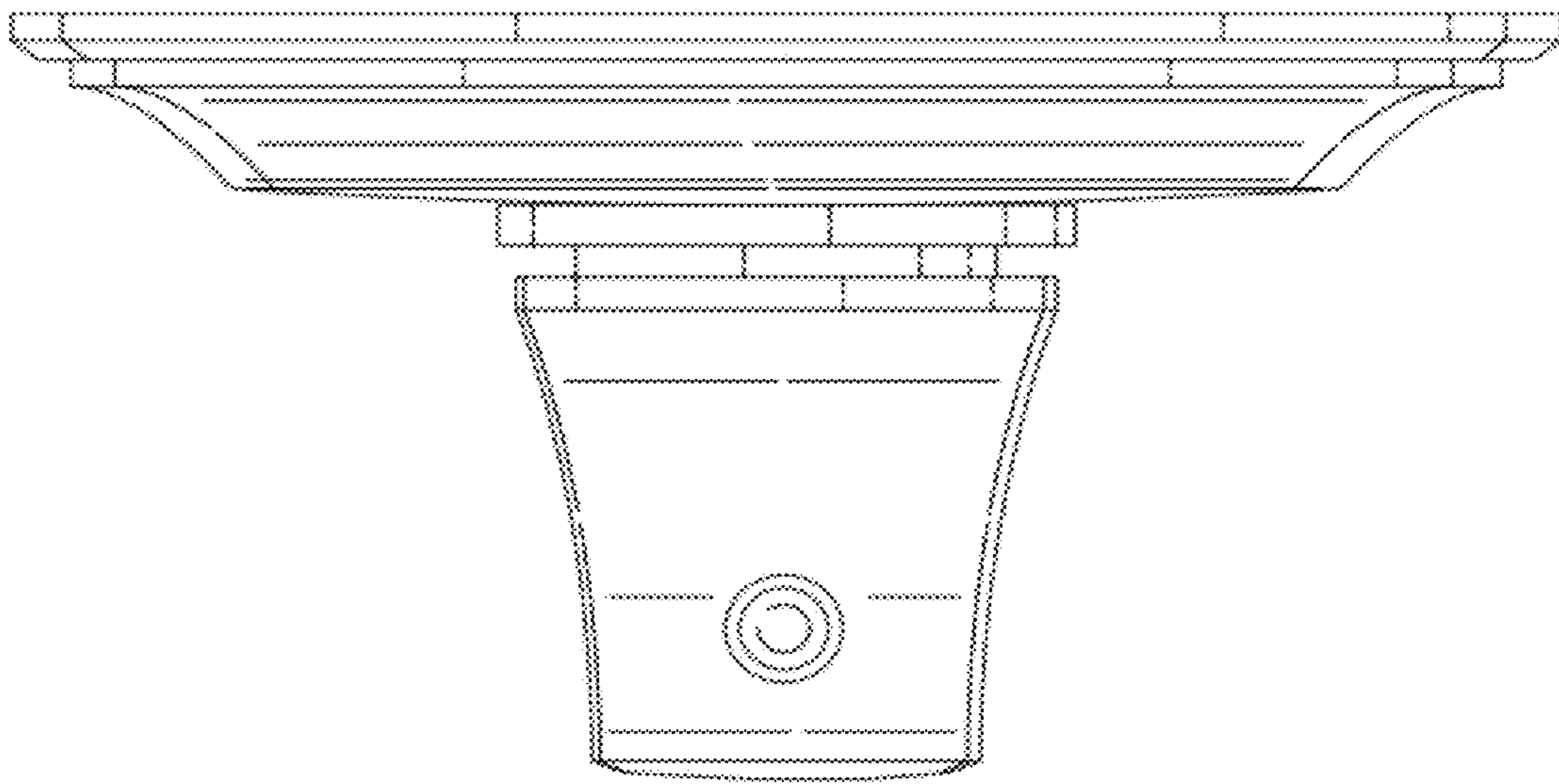


Fig. 7

