



US00D677755S

(12) **United States Design Patent**  
**Tipton et al.**

(10) **Patent No.:** **US D677,755 S**  
(45) **Date of Patent:** **\*\* Mar. 12, 2013**

(54) **THROTTLE VALVE OPENING**  
(75) Inventors: **Larry J. Tipton**, Bowling Green, KY  
(US); **Shane Weckerly**, Bowling Green,  
KY (US)

7,343,896 B2 \* 3/2008 Grant et al. .... 123/336  
D600,720 S \* 9/2009 Iwanicki ..... D15/5  
D601,589 S \* 10/2009 Carlson ..... D15/5  
D631,487 S \* 1/2011 Leng ..... D15/5  
D633,987 S \* 3/2011 Thomas et al. .... D23/233  
8,020,531 B2 \* 9/2011 Maehara et al. .... 123/399

(73) Assignee: **Holley Performance Products, Inc.**,  
Bowling Green, KY (US)

\* cited by examiner

(\*\*) Term: **14 Years**

*Primary Examiner* — Robin V Webster

(21) Appl. No.: **29/387,905**

(74) *Attorney, Agent, or Firm* — Hunton & Williams LLP

(22) Filed: **Mar. 21, 2011**

(51) **LOC (9) Cl.** ..... **23-01**

(52) **U.S. Cl.** ..... **D23/233; D15/5**

(58) **Field of Classification Search** ..... D23/233–237;  
D15/5, 6; 123/336; 261/23.2  
See application file for complete search history.

(57) **CLAIM**  
We claim the ornamental design for a throttle valve opening,  
as shown and described.

(56) **References Cited**

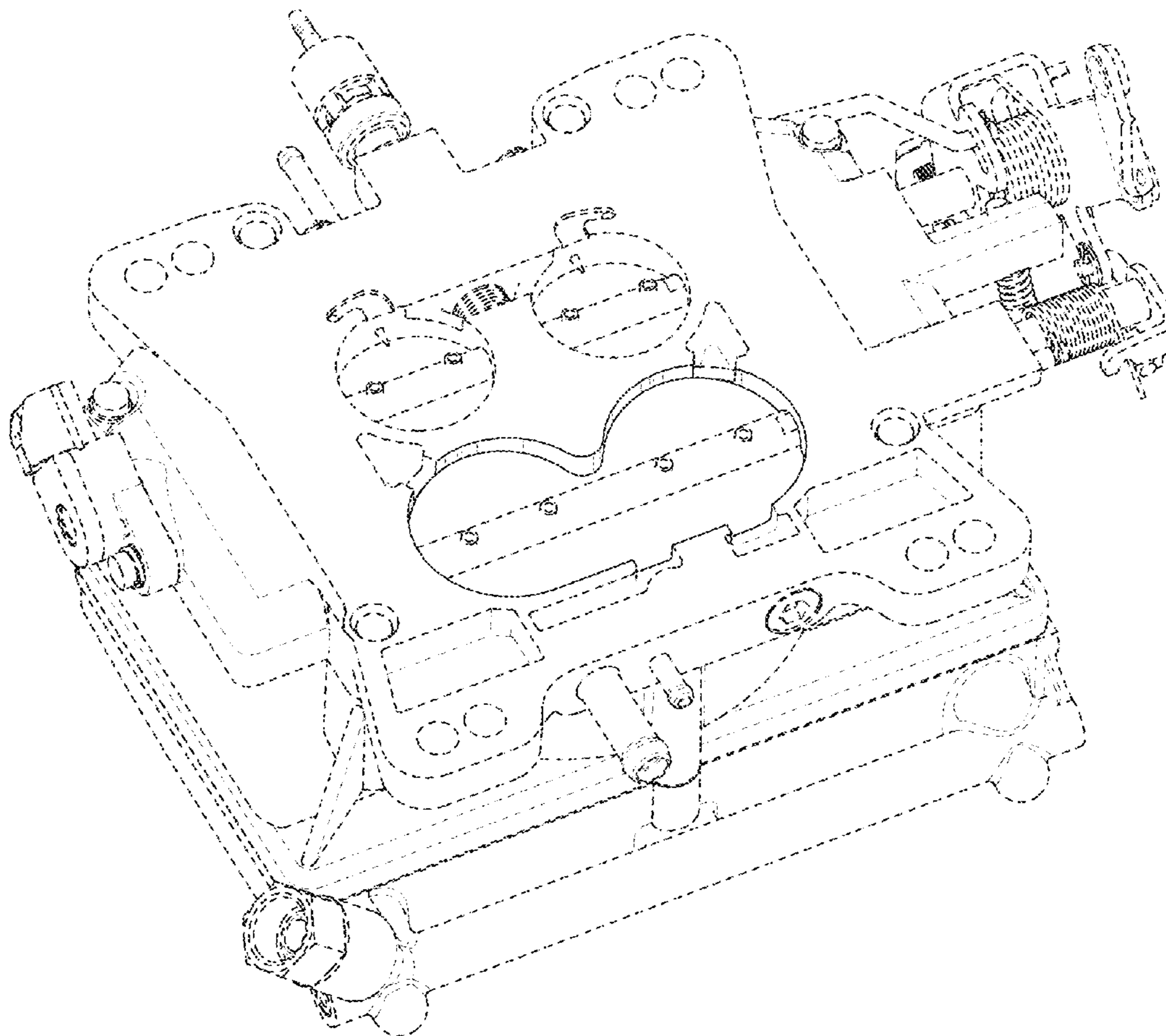
**DESCRIPTION**

U.S. PATENT DOCUMENTS

6,415,765 B1 \* 7/2002 Akagi et al. .... 123/336  
D533,567 S \* 12/2006 D'Amico ..... D15/5  
D551,322 S \* 9/2007 Shinmura et al. .... D23/233

FIG. 1 is a plan view of a throttle valve opening, showing the  
claimed design.  
FIG. 2 is a first perspective view of the throttle valve opening  
of FIG. 1; and,  
FIG. 3 is a second perspective view of the throttle valve  
opening of FIG. 1.  
The broken lines used in the figures are for illustrative pur-  
poses only and form no part of the claimed design.

**1 Claim, 3 Drawing Sheets**



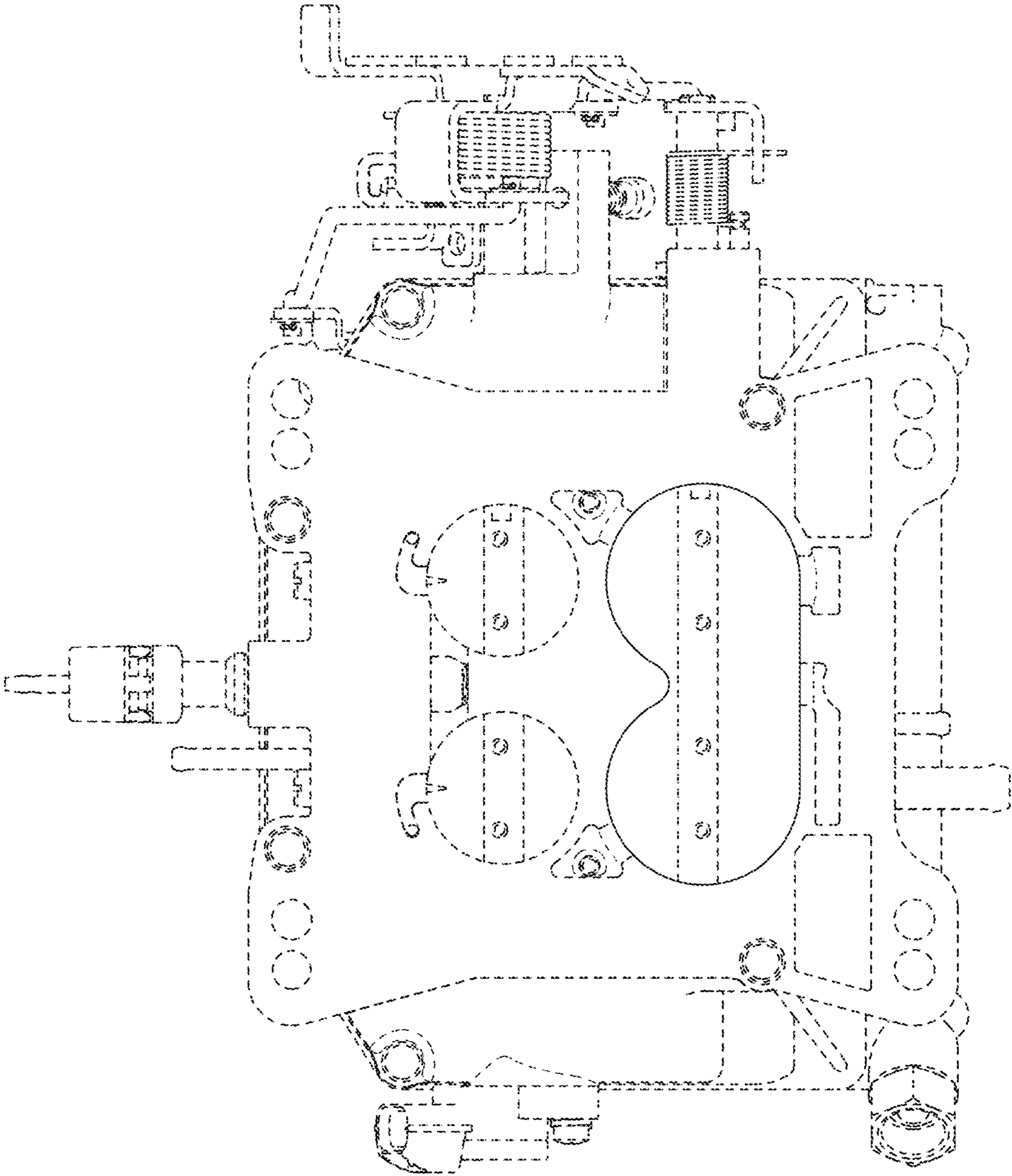


FIG. 1

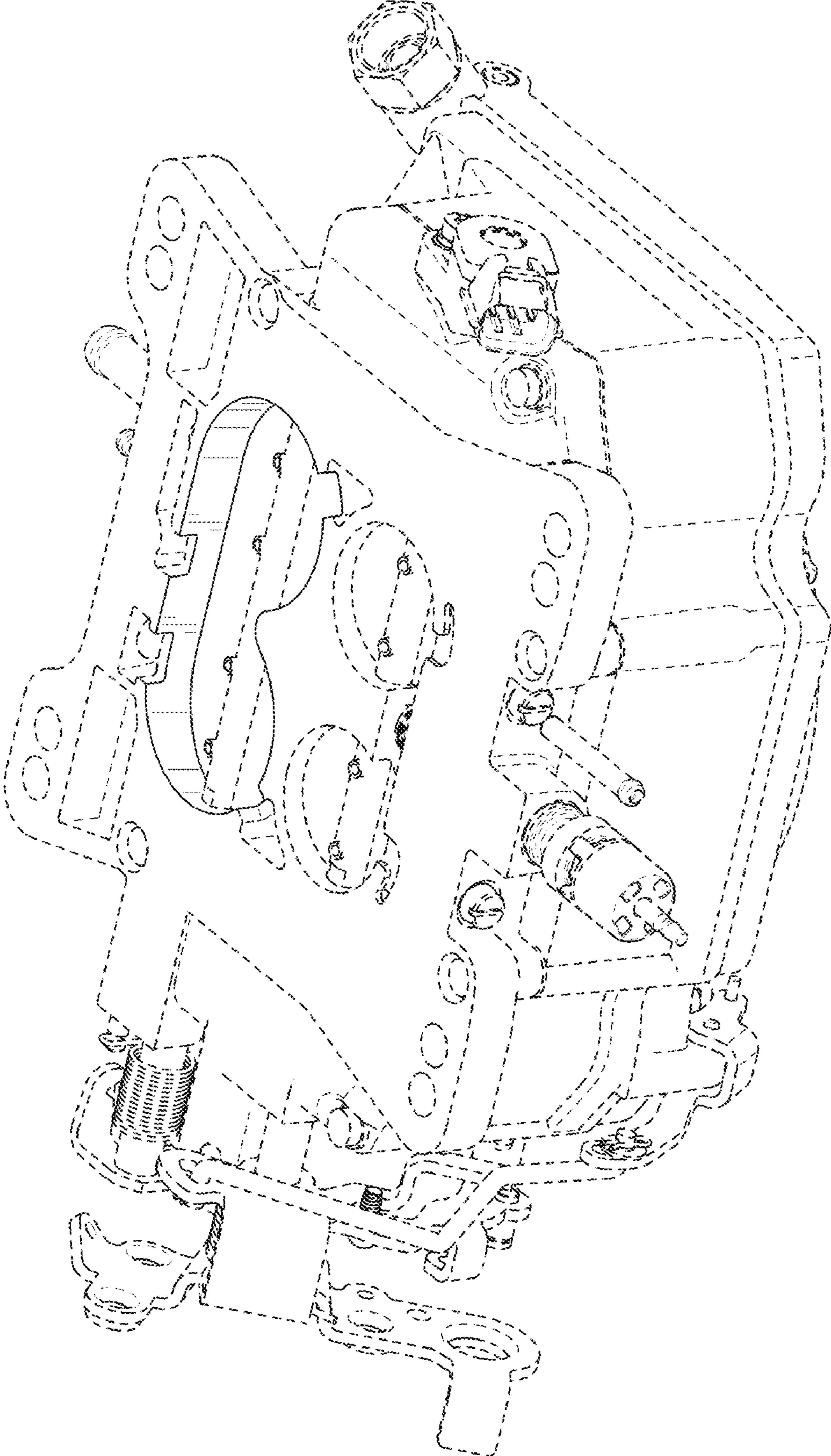


FIG. 2

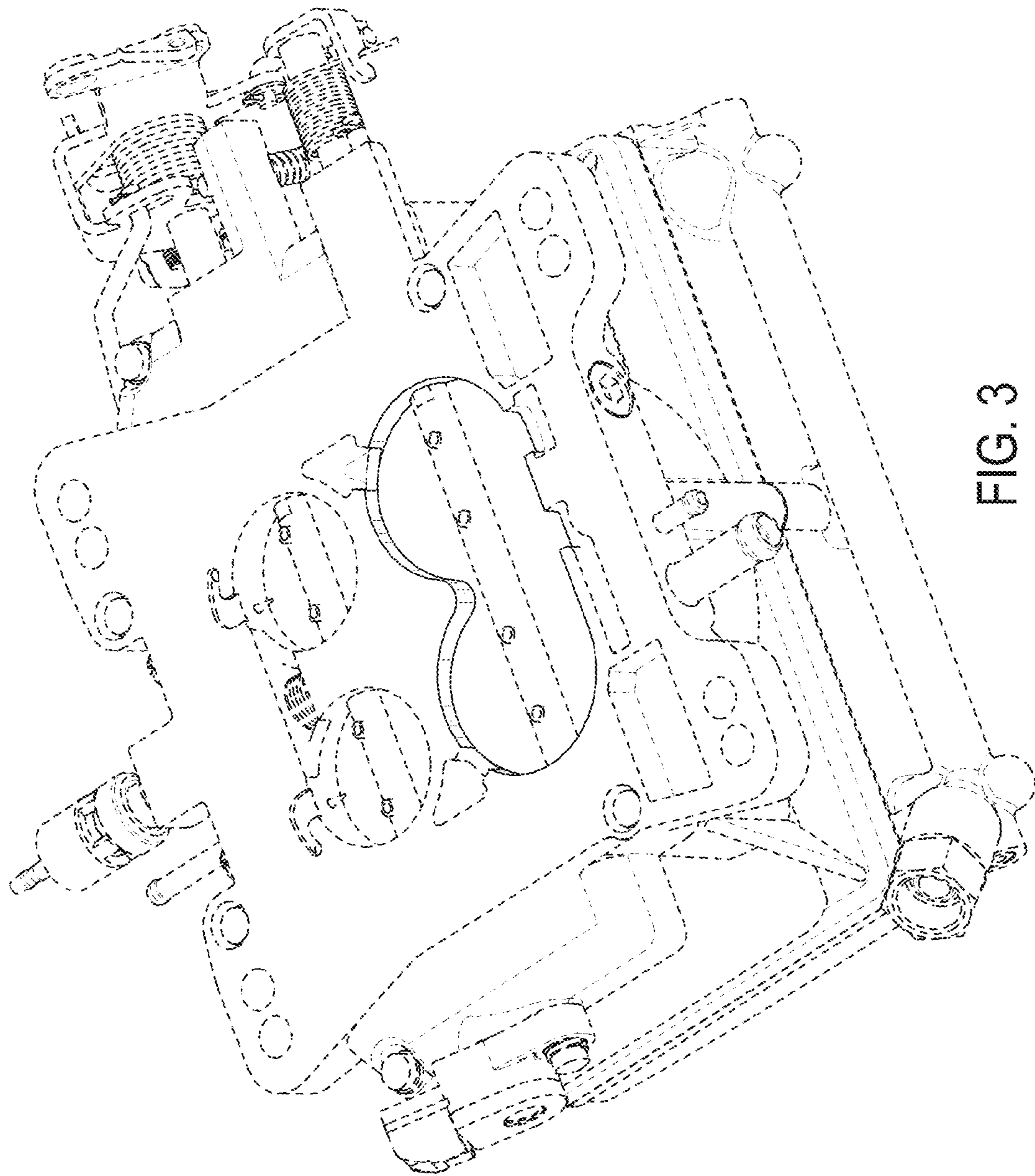


FIG. 3