



US00D677753S

(12) **United States Design Patent**
Sheppard et al.

(10) **Patent No.:** **US D677,753 S**
(45) **Date of Patent:** **** Mar. 12, 2013**

(54) **WATER FILTRATION CONTAINER**
(75) Inventors: **Nasahn Adam Sheppard**, Mill Valley, CA (US); **Dominik Heinz Langhammer**, San Francisco, CA (US); **Joern Vicari**, Brooklyn, NY (US); **Maarten Dinger**, San Francisco, CA (US); **Shannon Leigh Koy**, Berkeley, CA (US)
(73) Assignee: **PUR Water Purification Products, Inc.**, El Paso, TX (US)

D362,583 S 9/1995 Weber et al.
D365,963 S 1/1996 Feer
D377,437 S 1/1997 Magnusson
5,637,214 A 6/1997 Kahana
D382,763 S 8/1997 Jeppesen et al.
D383,351 S 9/1997 DeMore
D386,041 S 11/1997 Tanner et al.
D386,944 S 12/1997 Demore et al.
D388,655 S 1/1998 Flom et al.
D389,004 S 1/1998 Hampshire et al.
D389,006 S 1/1998 Demore et al.
D393,175 S 4/1998 Chang
D398,184 S 9/1998 Silverberg et al.
D400,755 S 11/1998 Ferlin, Jr.
5,830,360 A 11/1998 Mozayeni
D406,003 S 2/1999 Tanner et al.
5,882,507 A 3/1999 Tanner et al.

(**) Term: **14 Years**

(21) Appl. No.: **29/391,618**

(22) Filed: **May 11, 2011**

Related U.S. Application Data

(62) Division of application No. 29/346,768, filed on Nov. 5, 2009, now Pat. No. Des. 640,770.
(51) **LOC (9) Cl.** **23-01**
(52) **U.S. Cl.** **D23/209**
(58) **Field of Classification Search** D23/207, D23/209, 212; D7/300, 312, 316-319; 210/85, 210/266, 282, 321.6, 470, 482; 222/130, 222/131, 189.07, 465.1; 215/6; 220/521
See application file for complete search history.

References Cited

U.S. PATENT DOCUMENTS

D36,394 S 6/1903 Goetze
D173,455 S 11/1954 Reinecke et al.
D180,049 S 4/1957 Tupper et al.
2,805,561 A 9/1957 Emmert et al.
D244,339 S 5/1977 Wendt
D272,225 S 1/1984 De Coster
4,623,457 A 11/1986 Hankammer
D312,552 S 12/1990 Carlson
D317,547 S 6/1991 Gecchelin
D324,320 S 3/1992 Pedersen
D345,669 S 4/1994 Piret
D350,255 S 9/1994 Daenen et al.

(Continued)

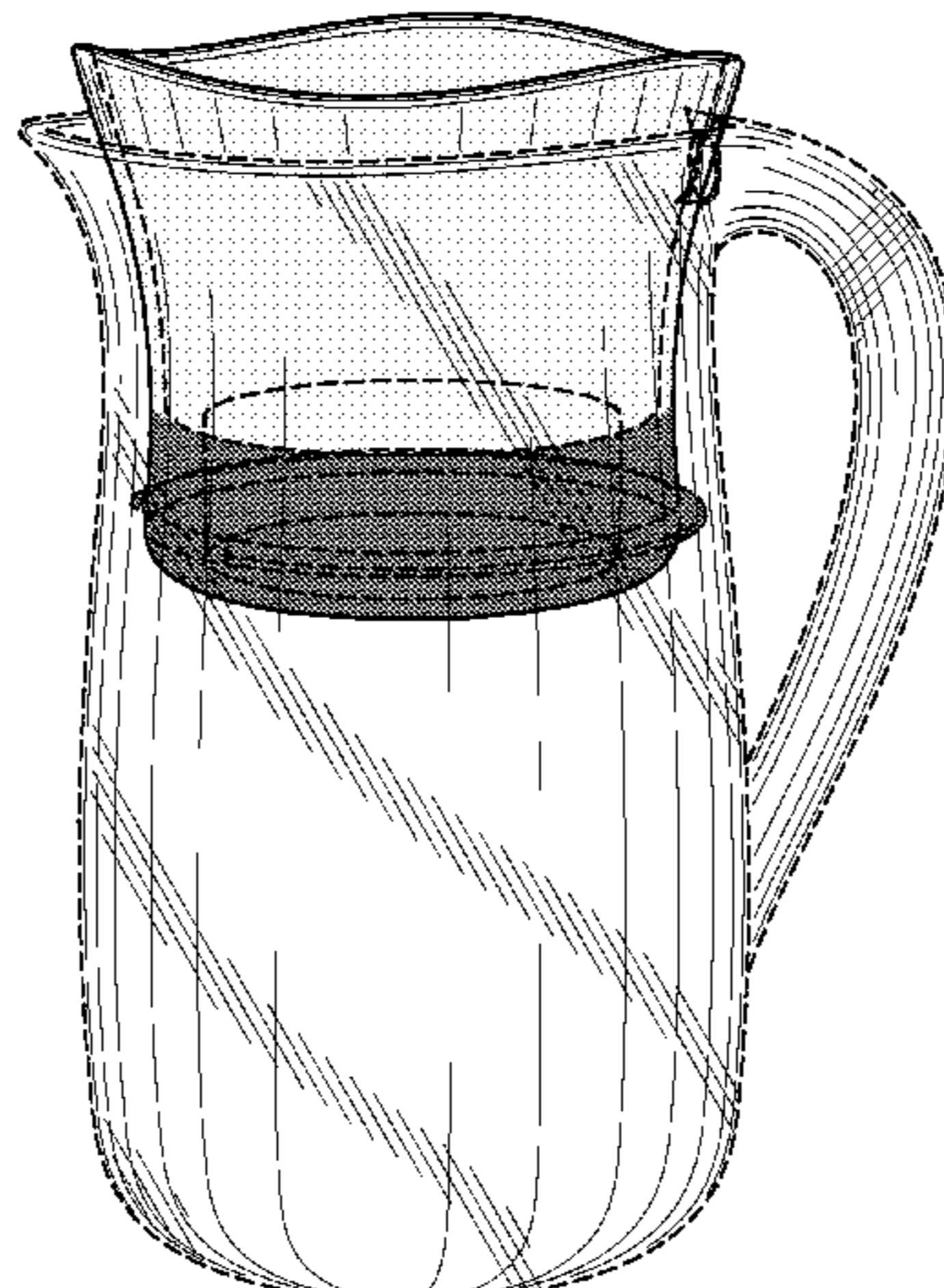
Primary Examiner — Robin Webster
Assistant Examiner — Maurice Stevens
(74) *Attorney, Agent, or Firm* — Dinsmore & Shohl, LLP

(57) **CLAIM**
The ornamental design for a water filtration container, as shown and described.

DESCRIPTION

The patent or application file contains at least one drawing executed in color. Copies of this patent or patent application publication with color drawing(s) will be provided by the Office upon request and payment of the necessary fee.
FIG. 1 is a perspective view of an embodiment of a water filtration container illustrating our new design;
FIG. 2 is a left side elevational view thereof;
FIG. 3 is a right side elevational view thereof;
FIG. 4 is a front side elevational view thereof;
FIG. 5 is a back side elevational view thereof;
FIG. 6 is a top planar view thereof; and,
FIG. 7 is a bottom planar view thereof.
The broken lines in the drawings represent portions of the water filtration container that form no part of the claimed design.

1 Claim, 6 Drawing Sheets
(1 of 6 Drawing Sheet(s) Filed in Color)



US D677,753 S

Page 2

U.S. PATENT DOCUMENTS

D415,922 S	11/1999	Kawasaki et al.	D517,852 S	3/2006	Jalet	
D416,163 S	11/1999	Doritty et al.	D520,597 S *	5/2006	Witte	D23/209
D418,714 S	1/2000	Fox et al.	D524,087 S	7/2006	Ali	
D419,027 S	1/2000	Haslem et al.	7,107,838 B2 *	9/2006	Chai et al.	73/304 R
D421,361 S	3/2000	Coulson et al.	D542,077 S	5/2007	Claypool et al.	
6,103,114 A	8/2000	Tanner et al.	D546,113 S *	7/2007	Ruoff	D7/319
D430,449 S	9/2000	Yeh	D550,020 S	9/2007	Pettaweebuncha	
D439,790 S	4/2001	Matsushita et al.	7,297,283 B2	11/2007	Ali	
D440,110 S	4/2001	Tanner et al.	D560,092 S	1/2008	Thuliez	
D444,662 S	7/2001	McGrath et al.	D573,394 S *	7/2008	Tullney et al.	D7/317
D444,843 S	7/2001	Hilgers et al.	D576,250 S	9/2008	Born et al.	
D444,987 S	7/2001	McGrath et al.	7,438,799 B2	10/2008	Vandenbelt et al.	
6,254,768 B1	7/2001	Dulieu et al.	D583,612 S	12/2008	Wu et al.	
6,387,260 B1	5/2002	Pimenov et al.	D584,913 S	1/2009	Green et al.	
6,405,875 B1	6/2002	Cutler	D585,231 S	1/2009	Bulala et al.	
D460,311 S	7/2002	Chang	D594,690 S	6/2009	Bursztein	
6,423,224 B1	7/2002	Tanner et al.	D620,304 S *	7/2010	Rajan et al.	D7/319
6,440,302 B1	8/2002	Leipziger	2002/0020673 A1	2/2002	Nohren et al.	
D465,377 S	11/2002	Murison et al.	2006/0162806 A1	7/2006	Hengsperger et al.	
6,524,477 B1	2/2003	Hughes	2006/0249442 A1	11/2006	Yap et al.	
6,651,824 B2	11/2003	Miller	2007/0151979 A1	7/2007	Klump et al.	
6,953,523 B2 *	10/2005	Vandenbelt et al.	2008/0164266 A1	7/2008	Sun	

* cited by examiner

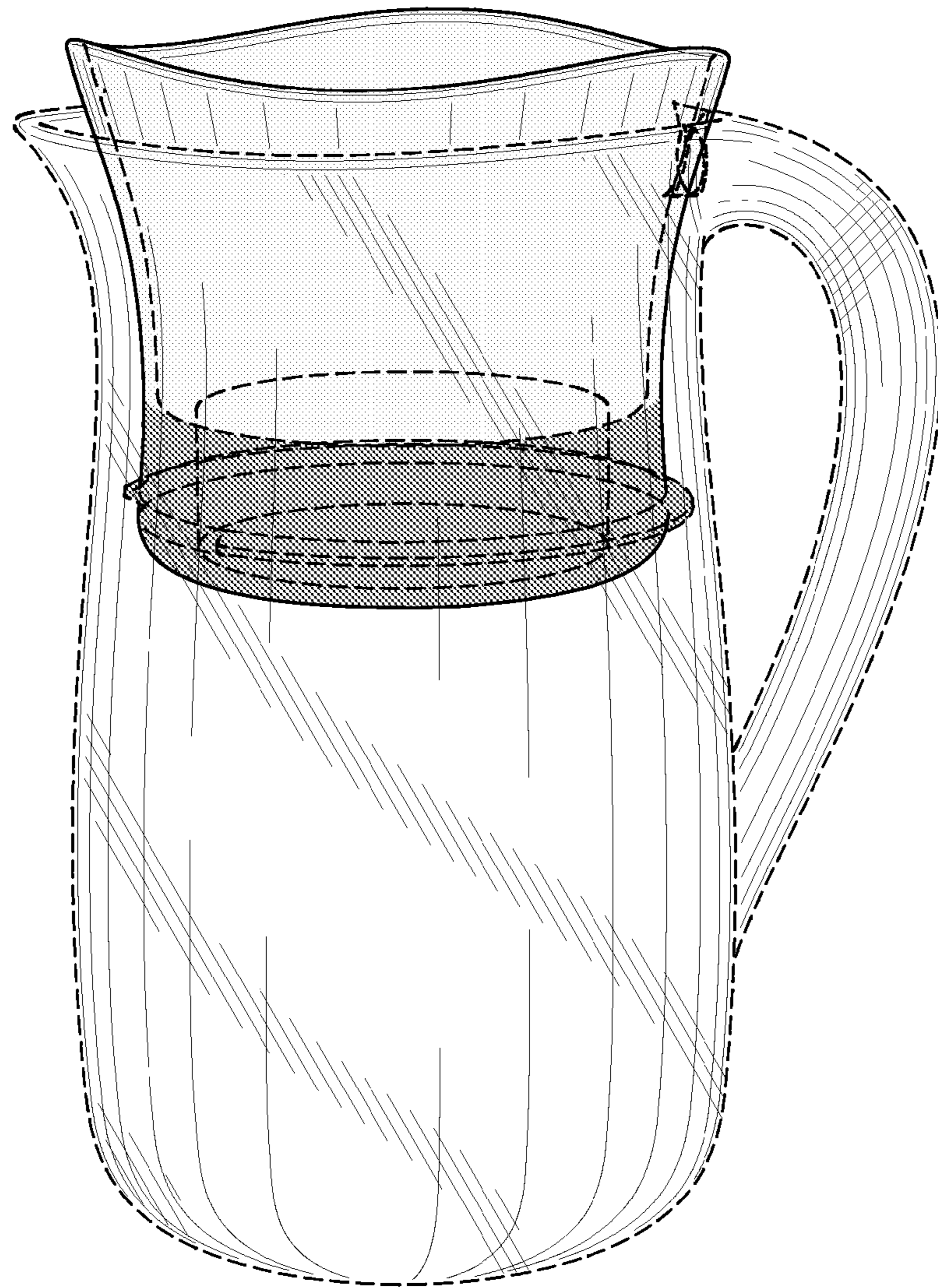


FIG. 1

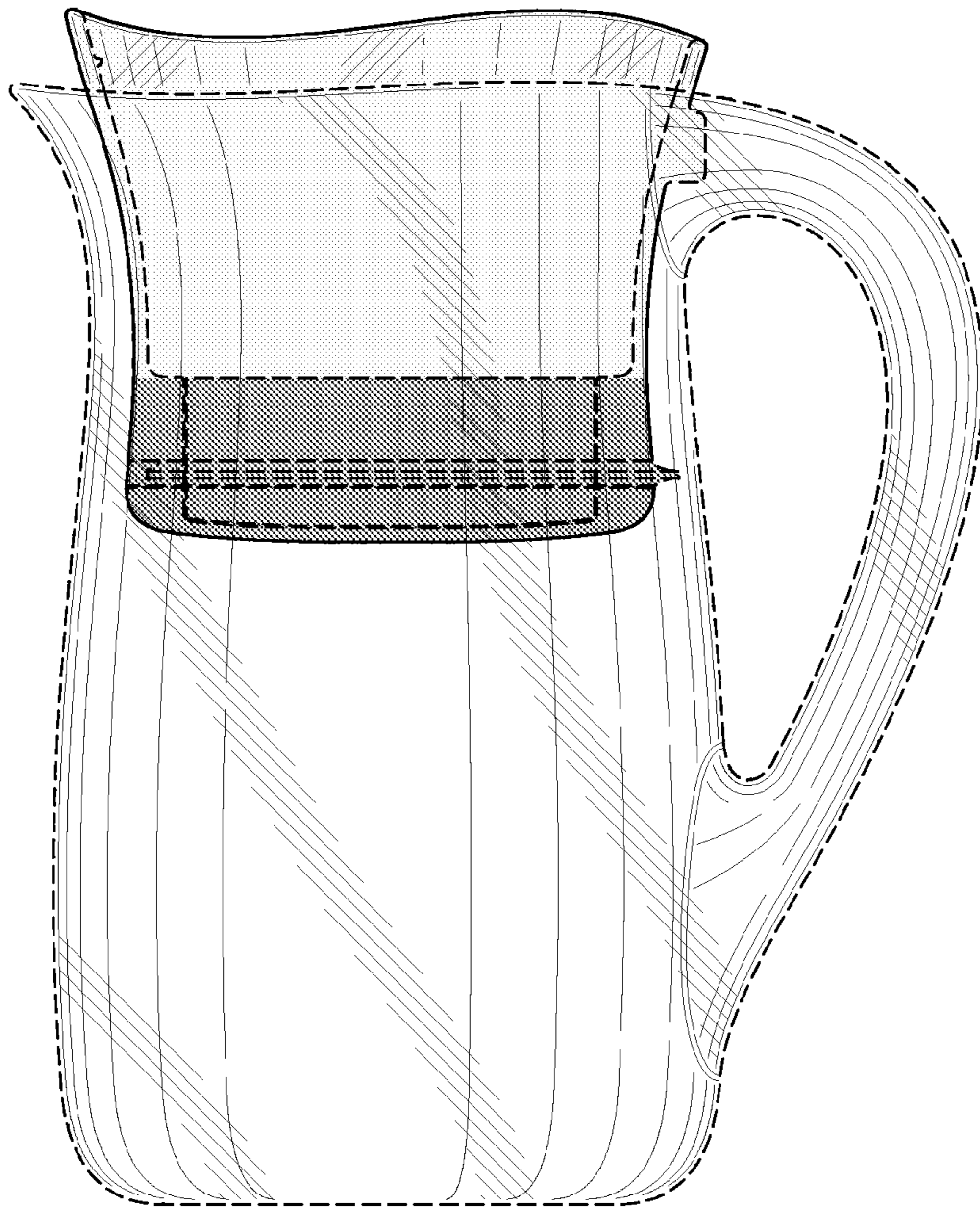


FIG. 2

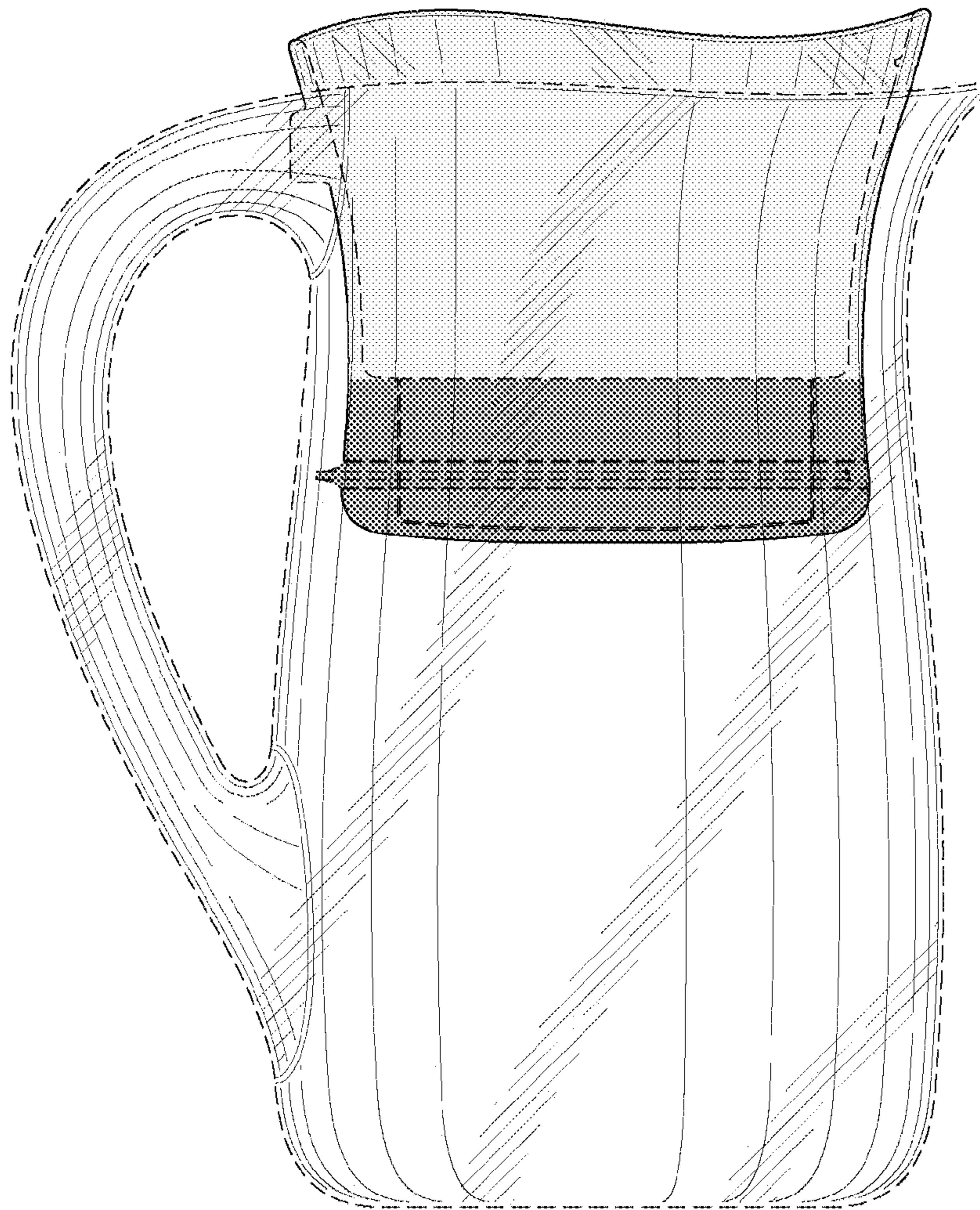


FIG. 3

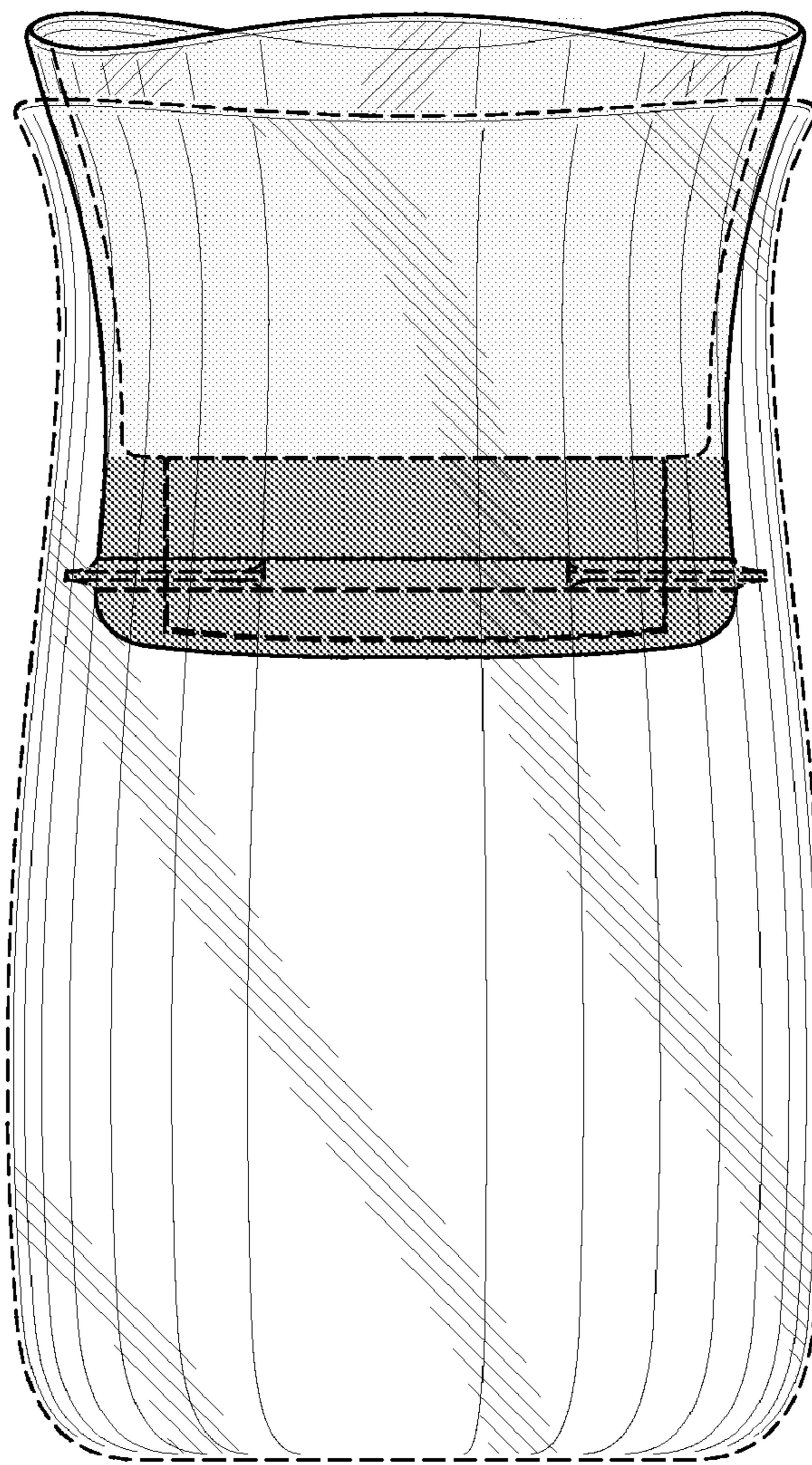


FIG. 4

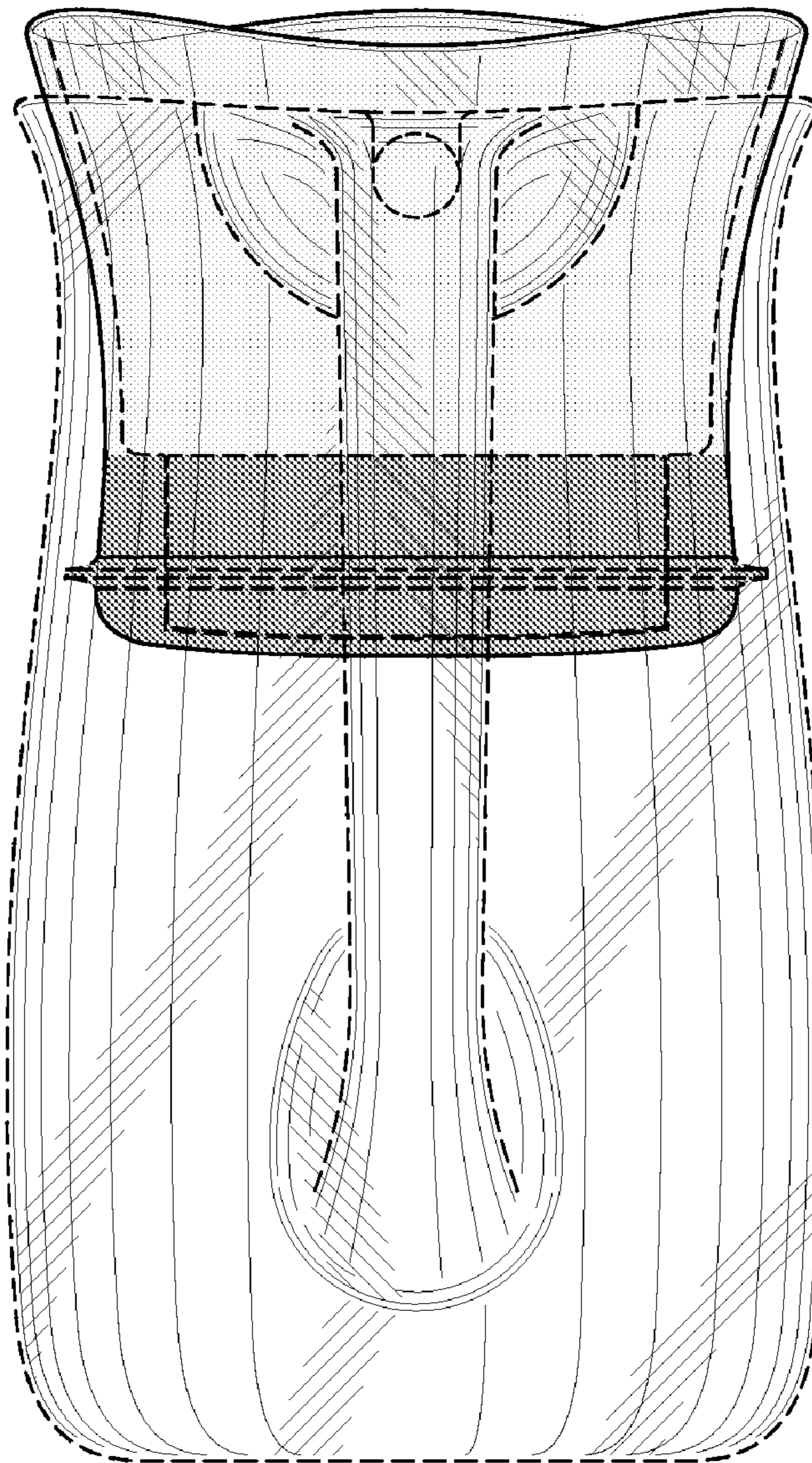


FIG. 5

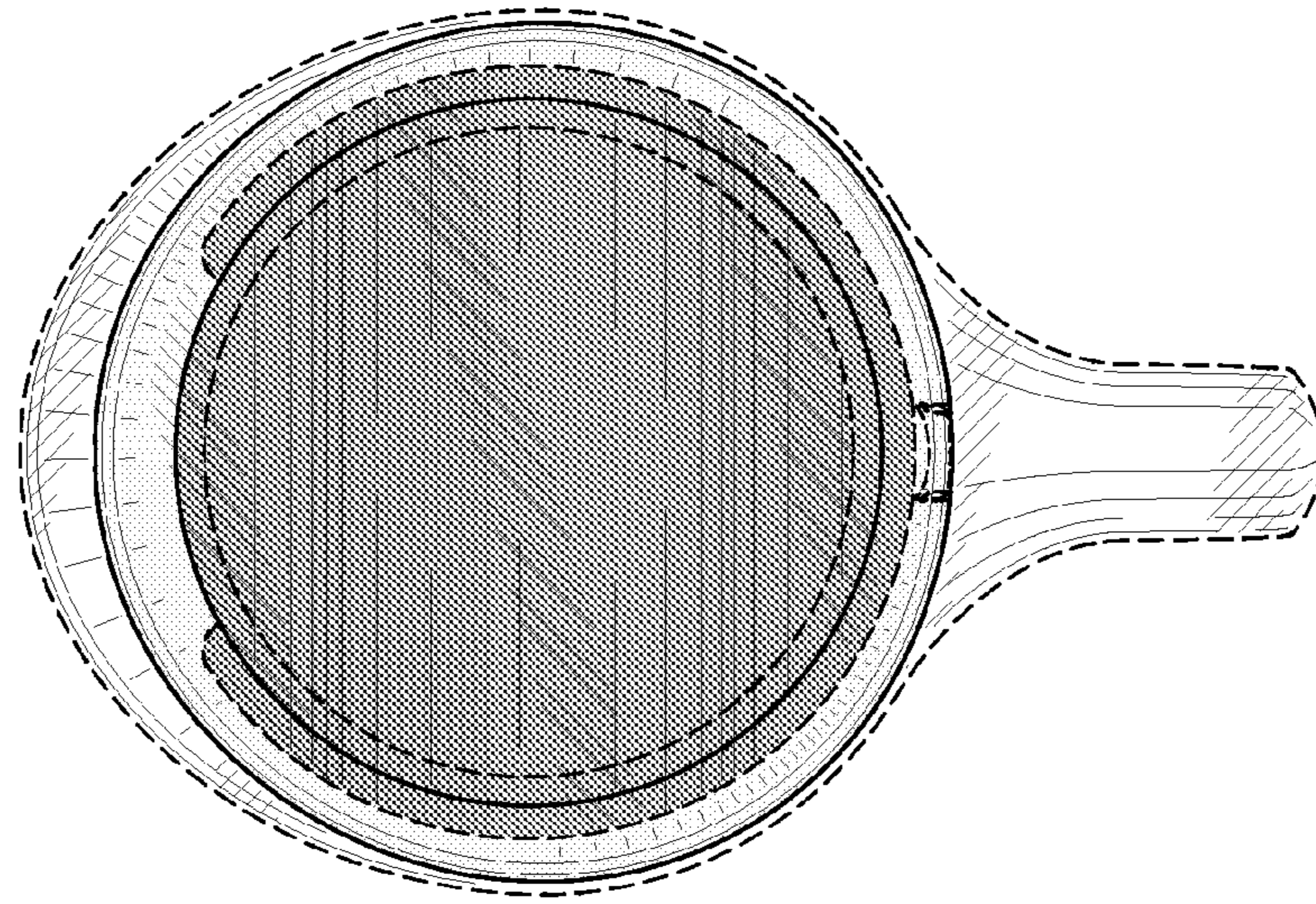


FIG. 6

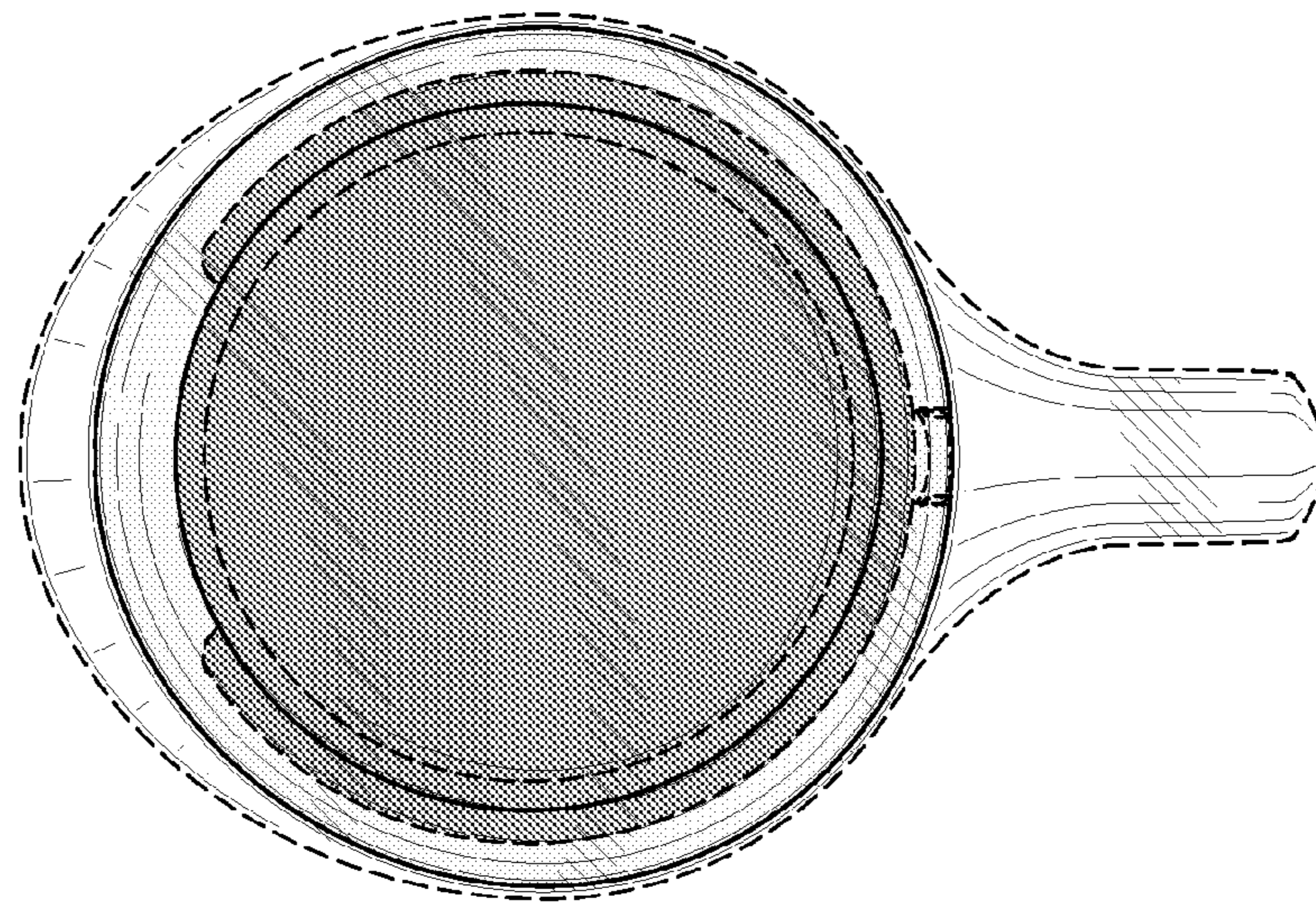


FIG. 7