

US00D677749S

(12) **United States Design Patent**
McLemore

(10) **Patent No.:** **US D677,749 S**

(45) **Date of Patent:** **** Mar. 12, 2013**

(54) **HORIZONTALLY-ALIGNED GOLF BALL
HOLDER**

D464,193 S 10/2002 Leung
D537,245 S * 2/2007 Crandall D3/221
D581,478 S * 11/2008 Scicluna et al. D21/796

(76) Inventor: **Kelly D. McLemore**, Elgin, IL (US)

* cited by examiner

(**) Term: **14 Years**

Primary Examiner — Holly Baynham

(21) Appl. No.: **29/402,606**

(74) *Attorney, Agent, or Firm* — Montgomery Patent & Design LLC; Robert C. Montgomery

(22) Filed: **Sep. 24, 2011**

(57) **CLAIM**

(51) **LOC (9) Cl.** **21-02**

The ornamental design for a horizontally-aligned golf ball holder, as shown and described.

(52) **U.S. Cl.** **D21/796; D3/318**

(58) **Field of Classification Search** D21/796;
D3/255, 318; D6/552; 211/70.2; 224/666,
224/670

DESCRIPTION

See application file for complete search history.

FIG. 1 is a perspective front view of a horizontally-aligned golf ball holder depicted in an in-use state, showing my new design;

(56) **References Cited**

U.S. PATENT DOCUMENTS

2,558,382	A	6/1951	Previdi	
3,968,522	A	7/1976	Riess	
4,062,482	A *	12/1977	Szalony 224/247
4,416,404	A	11/1983	Daniels	
4,886,196	A	12/1989	Plummer	
D332,176	S	1/1993	Mueller	
5,553,707	A	9/1996	Lion	
5,772,090	A	6/1998	Rodriguez	
5,934,530	A	8/1999	Antczak et al.	
6,168,061	B1 *	1/2001	Harrison 224/666
6,202,911	B1	3/2001	Freer	
6,357,586	B2	3/2002	Pratt et al.	

FIG. 2 is a perspective front view of a horizontally-aligned golf ball holder;

FIG. 3 is a front view thereof;

FIG. 4 is a rear view thereof;

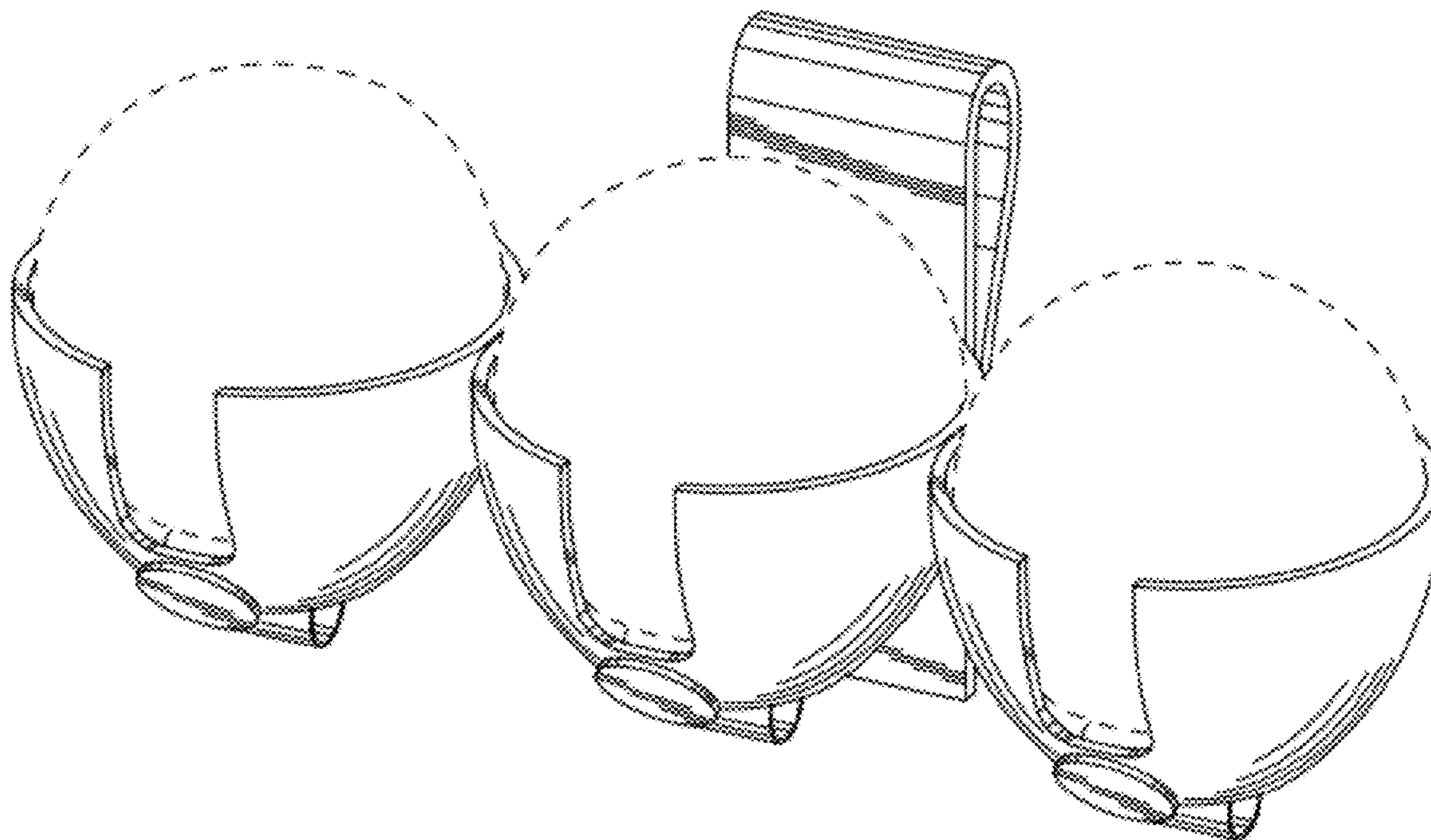
FIG. 5 is a left side view thereof with a right side view being a mirror image;

FIG. 6 is a top view thereof; and,

FIG. 7 is a bottom view thereof.

The broken lines showing golf balls are for the purposes of illustrating environment and form no part of the claimed design.

1 Claim, 7 Drawing Sheets



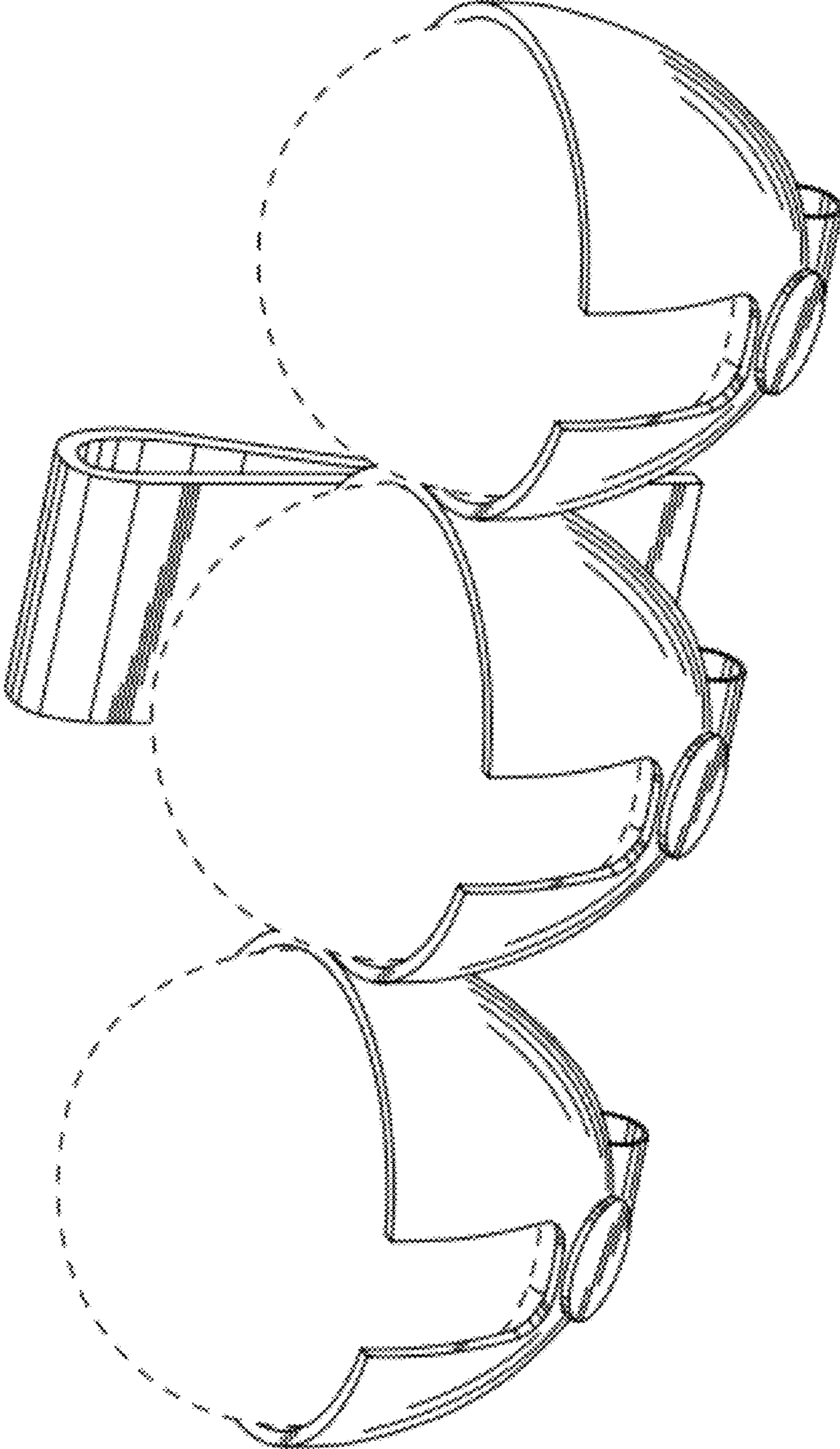


Fig. 1

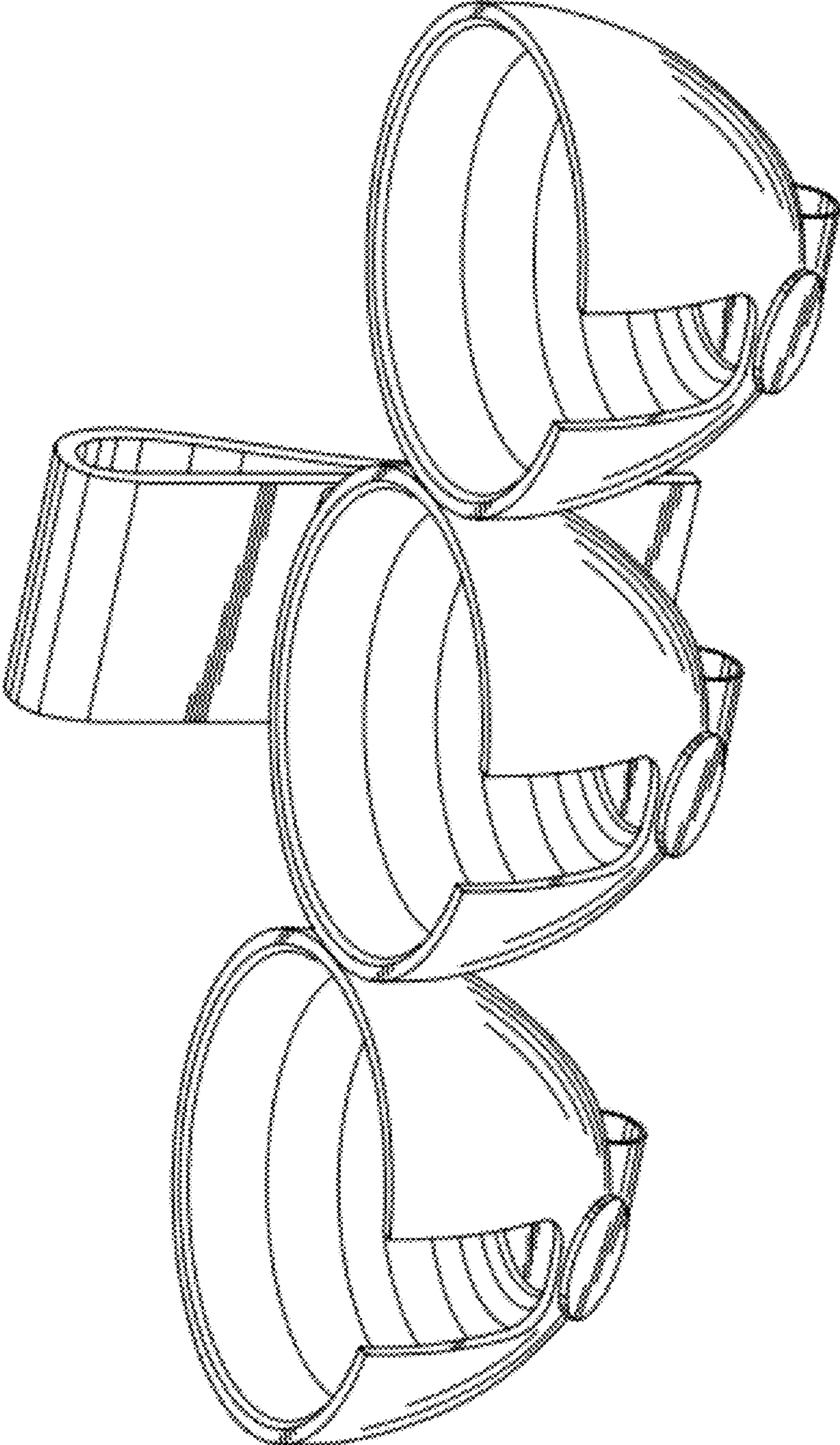


Fig. 2

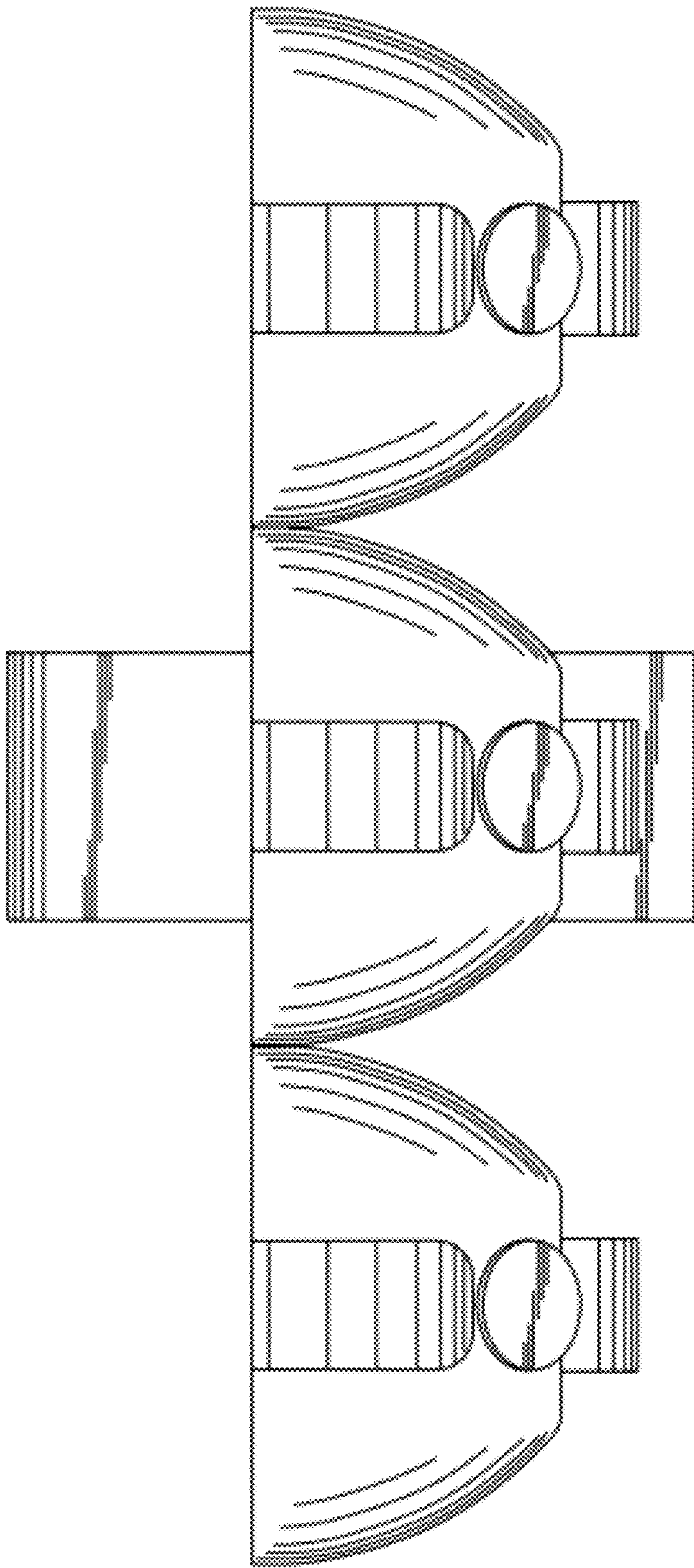


Fig. 3

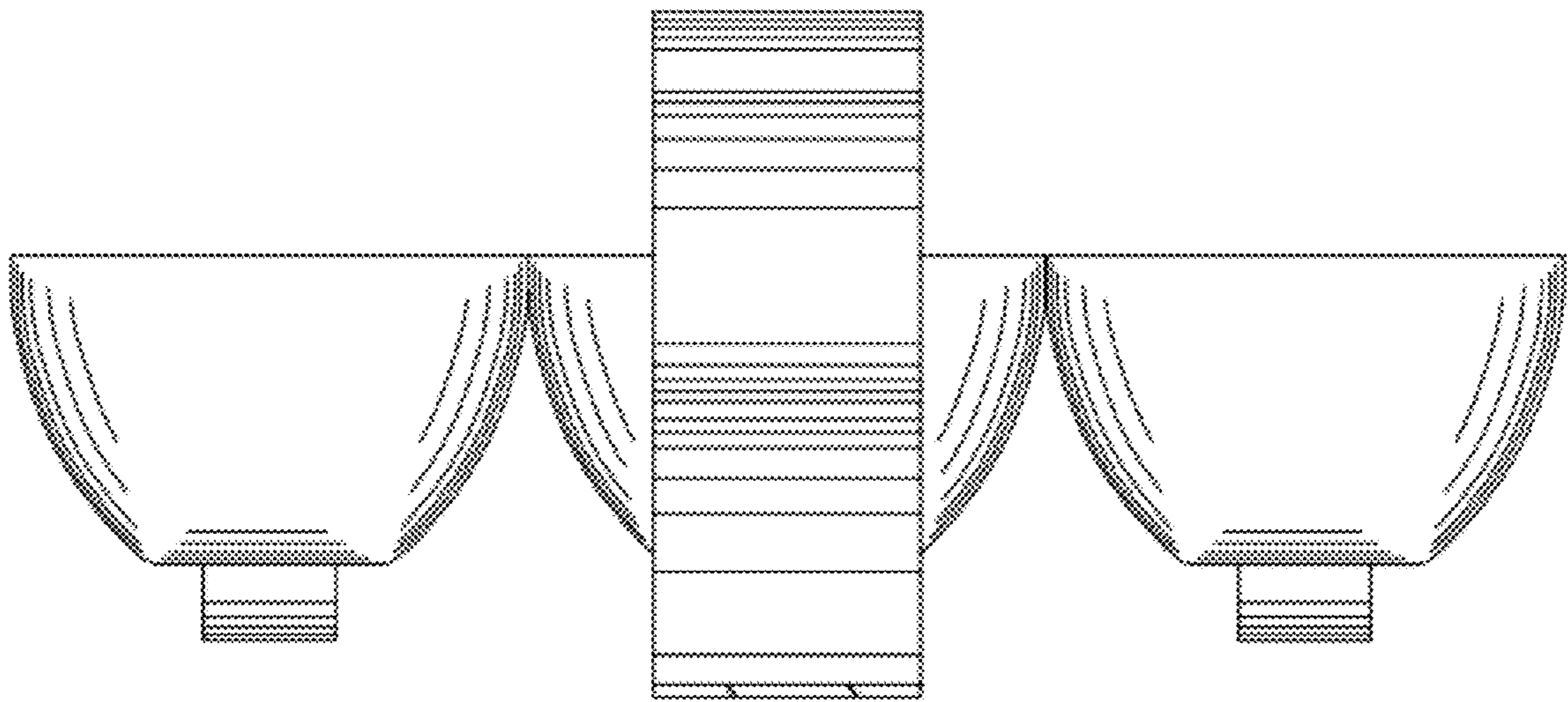


Fig. 4

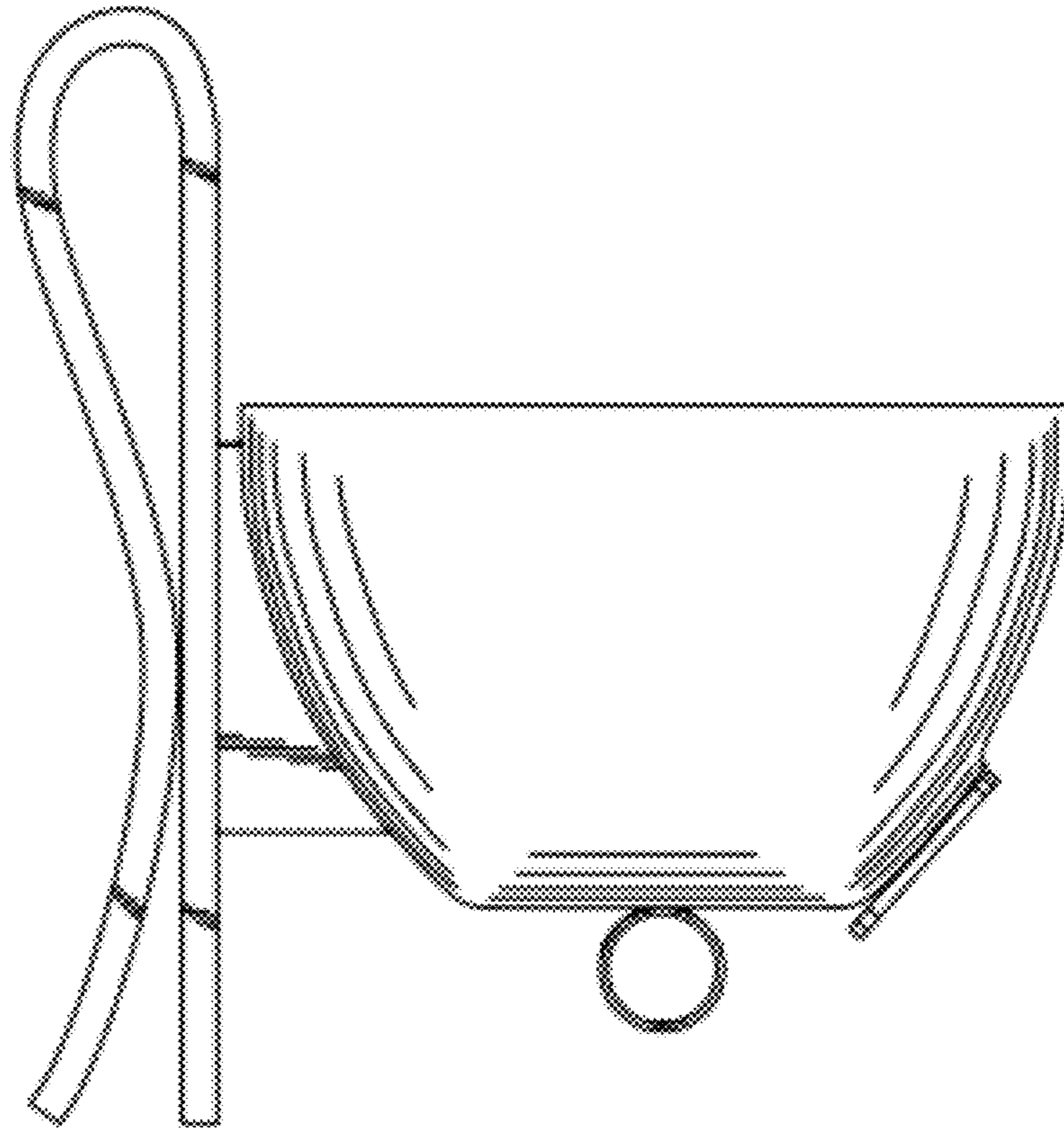


Fig. 5

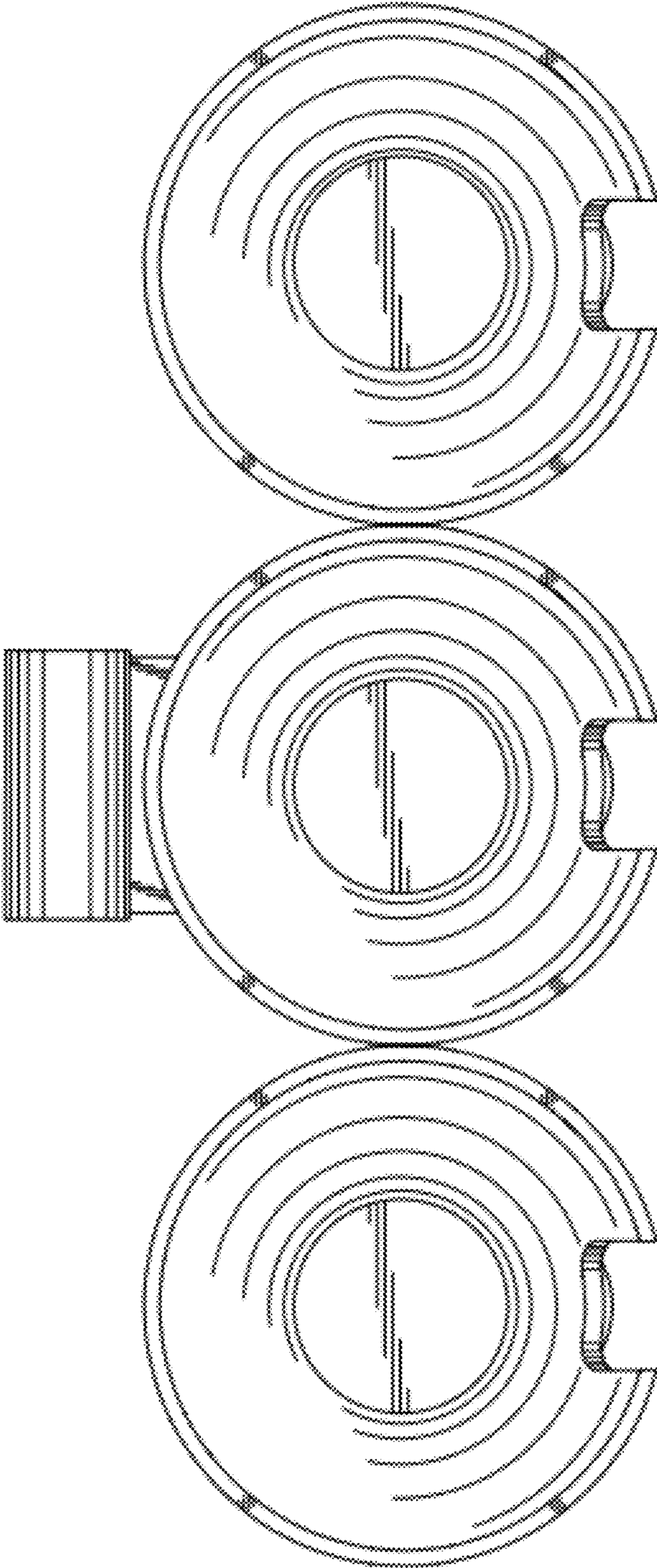


Fig. 6

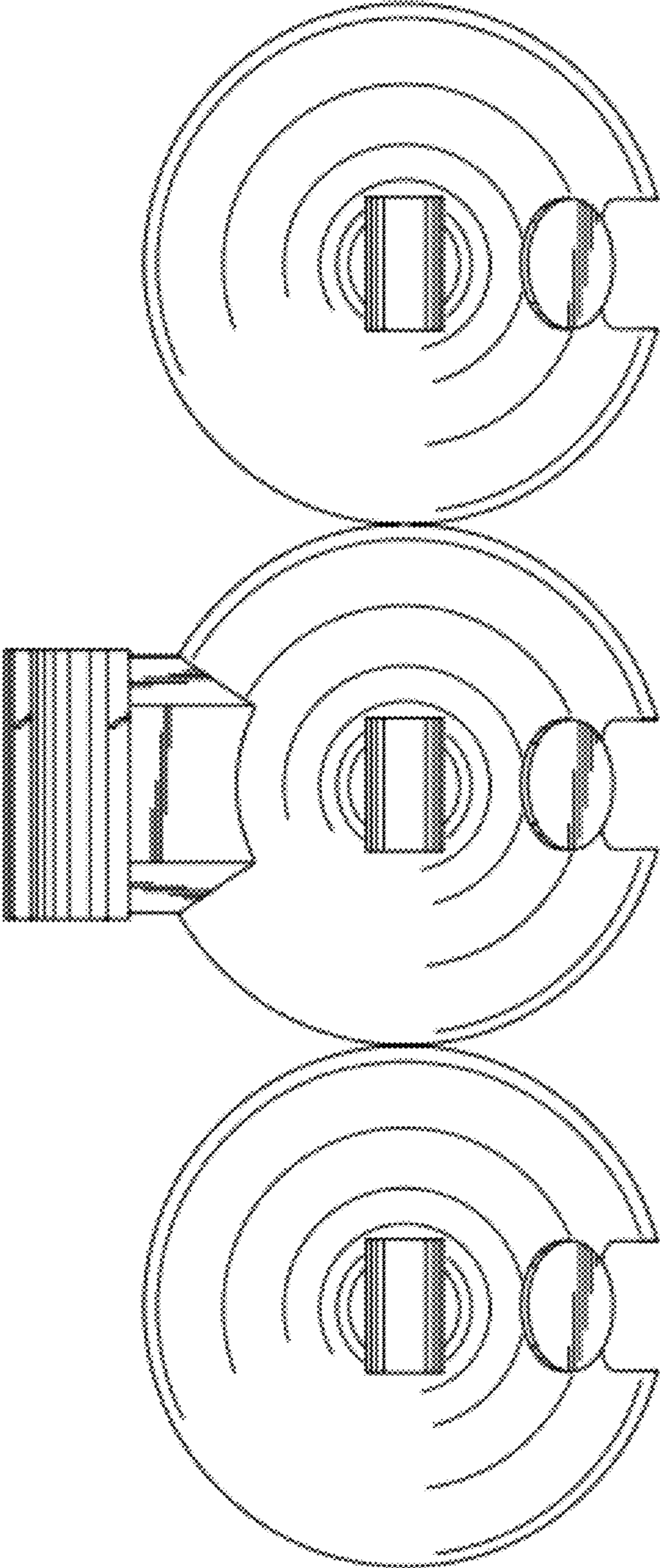


Fig. 7