



US00D677742S

(12) **United States Design Patent**
Mimlitch, III et al.

(10) **Patent No.:** **US D677,742 S**
(45) **Date of Patent:** **** Mar. 12, 2013**

- (54) **ROBOTIC TOY HAVING AN ELLIPTICAL TOP**
- (75) Inventors: **Robert H. Mimlitch, III**, Rowlett, TX (US); **David A. Norman**, Greenville, TX (US); **Douglas Galletti**, Allen, TX (US); **Gregory Lavender**, Rockwall, TX (US); **Brian Richard Delaney**, Rockwall, TX (US); **Raul Olivera**, Greenville, TX (US)
- (73) Assignee: **Innovation First, Inc.**, Greenville, TX (US)

- D289,747 S 5/1987 Sethares et al.
- D291,711 S 9/1987 Dixon
- 4,708,690 A 11/1987 Kulesza et al.
- 4,941,857 A 7/1990 Fujimaki
- 5,088,949 A 2/1992 Atkinson et al.
- 5,221,226 A 6/1993 Park
- D405,850 S 2/1999 Witkin
- 5,993,286 A 11/1999 Tacquard et al.
- D421,932 S 3/2000 Hawkins et al.
- D427,256 S 6/2000 Teigiser
- 6,238,264 B1 5/2001 Kazami et al.
- D456,467 S 4/2002 Corbett

(Continued)

(**) Term: **14 Years**

(21) Appl. No.: **29/410,614**

(22) Filed: **Jan. 10, 2012**

(51) **LOC (9) Cl.** **21-01**

(52) **U.S. Cl.** **D21/578**

(58) **Field of Classification Search** D6/598;
D11/158; D21/576-578, 585-588, 623,
D21/630, 620, 658-661; D30/160; 446/3,
446/72, 97-98, 268-269, 351, 484
See application file for complete search history.

(56) **References Cited**

U.S. PATENT DOCUMENTS

- 1,763,788 A 6/1930 Jobe, Sr.
- 1,793,121 A 2/1931 Muller
- 2,167,985 A 8/1939 Levay
- 2,618,888 A 11/1952 Hoff
- 2,827,735 A 3/1959 Grimm
- 3,196,580 A 7/1965 Rakestraw
- 3,331,463 A 7/1967 Kramer
- 3,530,617 A 9/1970 Halvorson et al.
- 3,841,636 A 10/1974 Meyer
- 3,842,532 A 10/1974 Nielsen
- 3,959,920 A 6/1976 Ieda
- 4,163,558 A 8/1979 Breslow et al.
- 4,219,957 A 9/1980 Kakuta
- 4,291,490 A 9/1981 Ikeda
- 4,591,346 A 5/1986 Ikeda
- D289,070 S 3/1987 Forbes et al.

FOREIGN PATENT DOCUMENTS

- DE 1120958 10/1957
- FR 1564711 3/1969

(Continued)

OTHER PUBLICATIONS

Shantou GoldRosita Intelligent Electronic Toys Industrial Co., Lit., Scoot Micro-Robotic Vehicles, pictures of product, product available over the Internet; manufactured in Guangdong, China.

Primary Examiner — Sandra Morris

(74) *Attorney, Agent, or Firm* — Adam K. Sacharoff

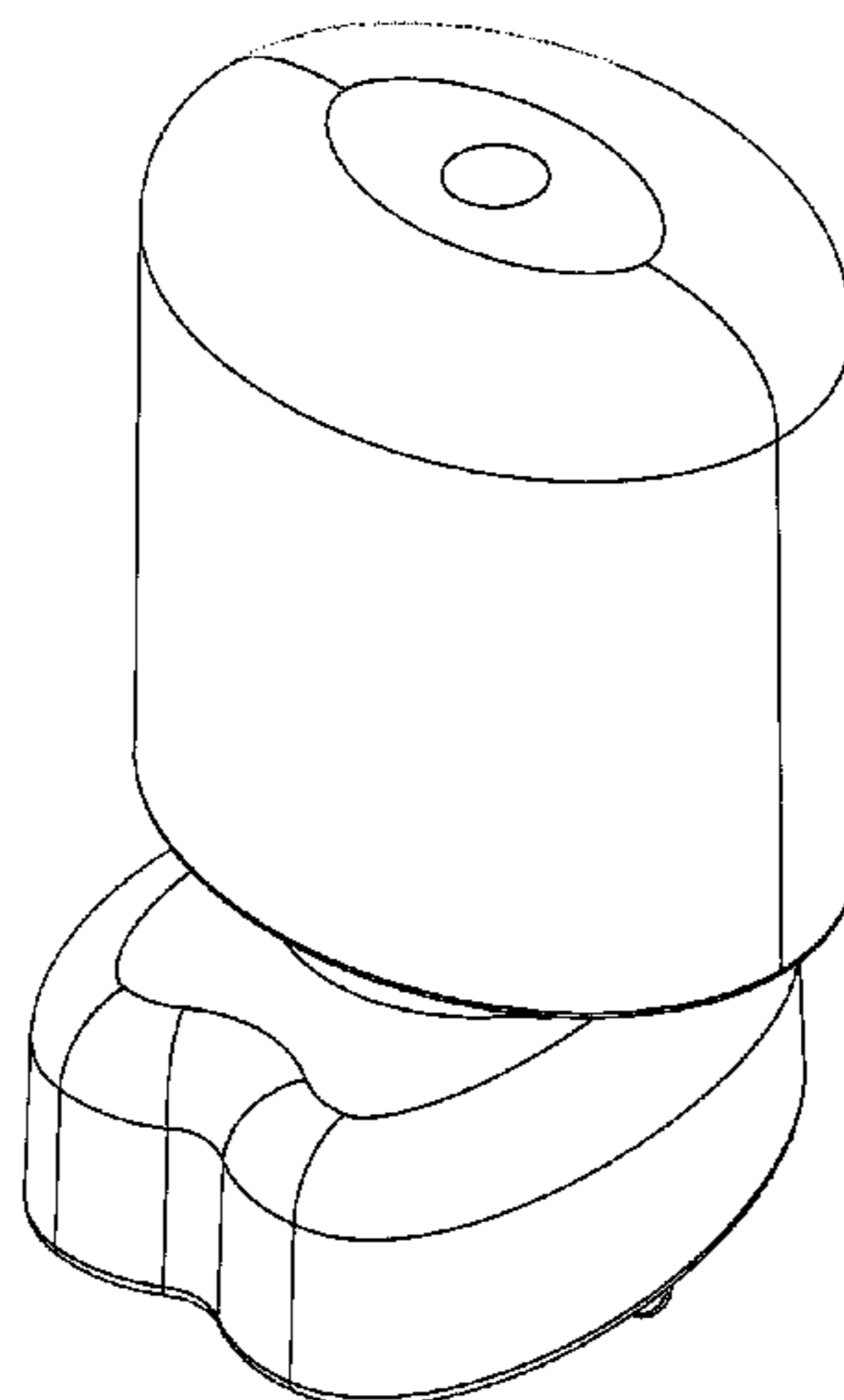
(57) **CLAIM**

The ornamental design for a robotic toy having an elliptical top, as shown and described.

DESCRIPTION

FIG. 1 is a top perspective view showing a first embodiment of the robotic toy having an elliptical top;
FIG. 2 is a left side view of FIG. 1;
FIG. 3 is a right side view of FIG. 1;
FIG. 4 is a front side view of FIG. 1;
FIG. 5 is a back side view of FIG. 1;
FIG. 6 is a top side view of FIG. 1;
FIG. 7 is a bottom side view of FIG. 1; and,
FIG. 8 is a bottom back side perspective view of FIG. 1.

1 Claim, 8 Drawing Sheets



US D677,742 S

Page 2

U.S. PATENT DOCUMENTS

6,435,929 B1 8/2002 Halford
6,599,048 B2 7/2003 Kuo
6,652,352 B1 11/2003 MacArthur et al.
6,681,150 B1 1/2004 Haga et al.
6,826,449 B1 11/2004 Abu-Taha
D501,898 S * 2/2005 Rutherford et al. D21/623
6,866,557 B2 3/2005 Randall
6,899,589 B1 5/2005 Lund et al.
6,964,309 B2 11/2005 Quinn et al.
6,964,572 B2 11/2005 Cesa
D516,950 S * 3/2006 Thorsteinsson D21/658
D517,131 S 3/2006 Carruth
7,040,951 B2 5/2006 Hornsby et al.
7,204,455 B2 4/2007 Sinclair
D555,213 S 11/2007 Bowen et al.
D568,553 S * 5/2008 Rutherford et al. D30/160
D624,610 S * 9/2010 Wu et al. D21/578

7,803,031 B1 9/2010 Winckler et al.
7,927,170 B2 4/2011 Bickerton et al.
D645,915 S * 9/2011 Norman et al. D21/650
2001/0054518 A1 12/2001 Buehler et al.
2004/0198159 A1 10/2004 Xu et al.
2005/0112992 A1 5/2005 Malcolm
2007/0087654 A1 4/2007 Chernick et al.
2009/0311941 A1 12/2009 Bickerton et al.

FOREIGN PATENT DOCUMENTS

FR 2358174 2/1978
GB 488042 6/1938
GB 1180384 2/1970
GB 1381326 1/1975
JP H1-146570 6/1989
JP 6343767 12/1994
WO 2006136792 12/2006

* cited by examiner

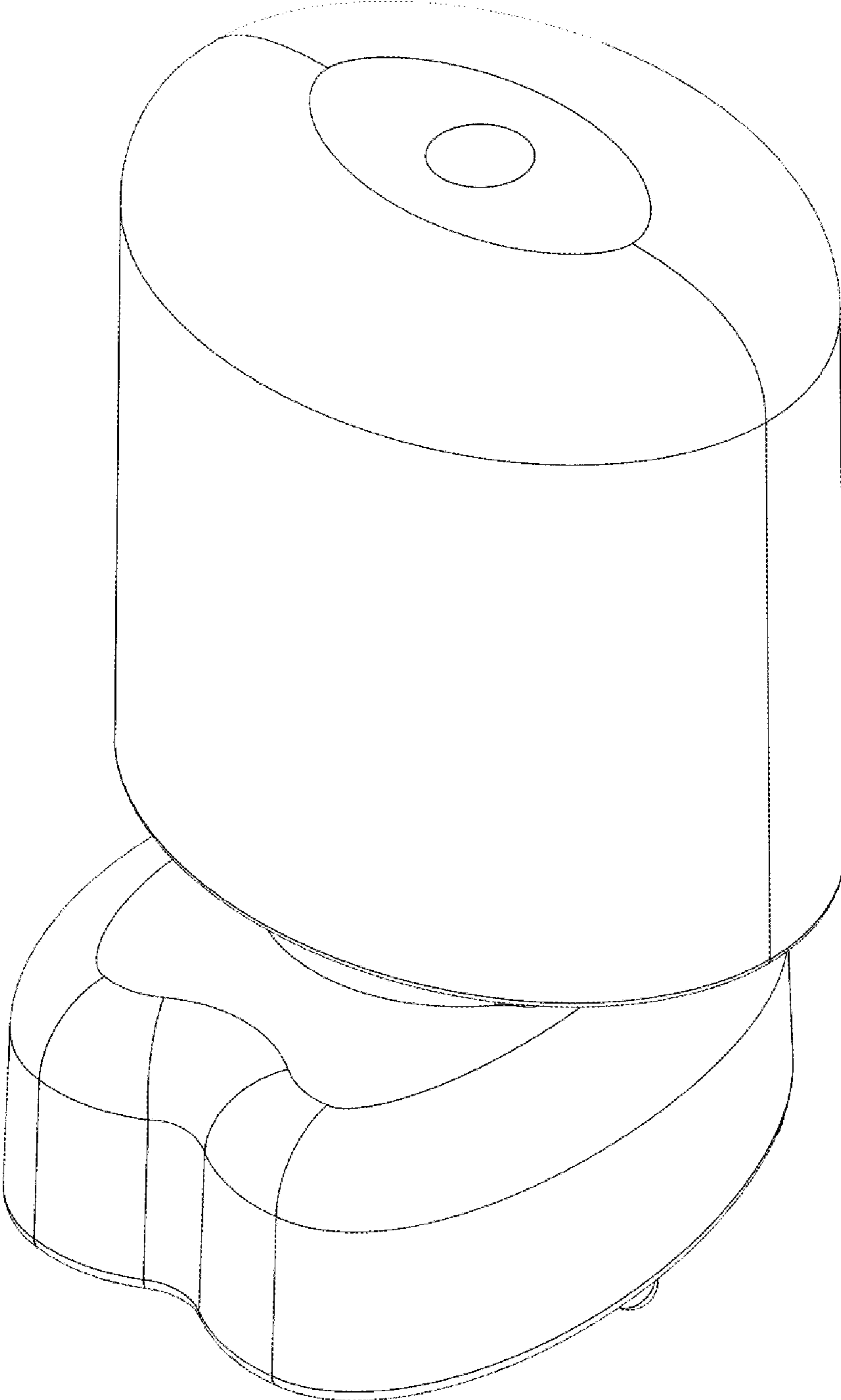


FIGURE 1

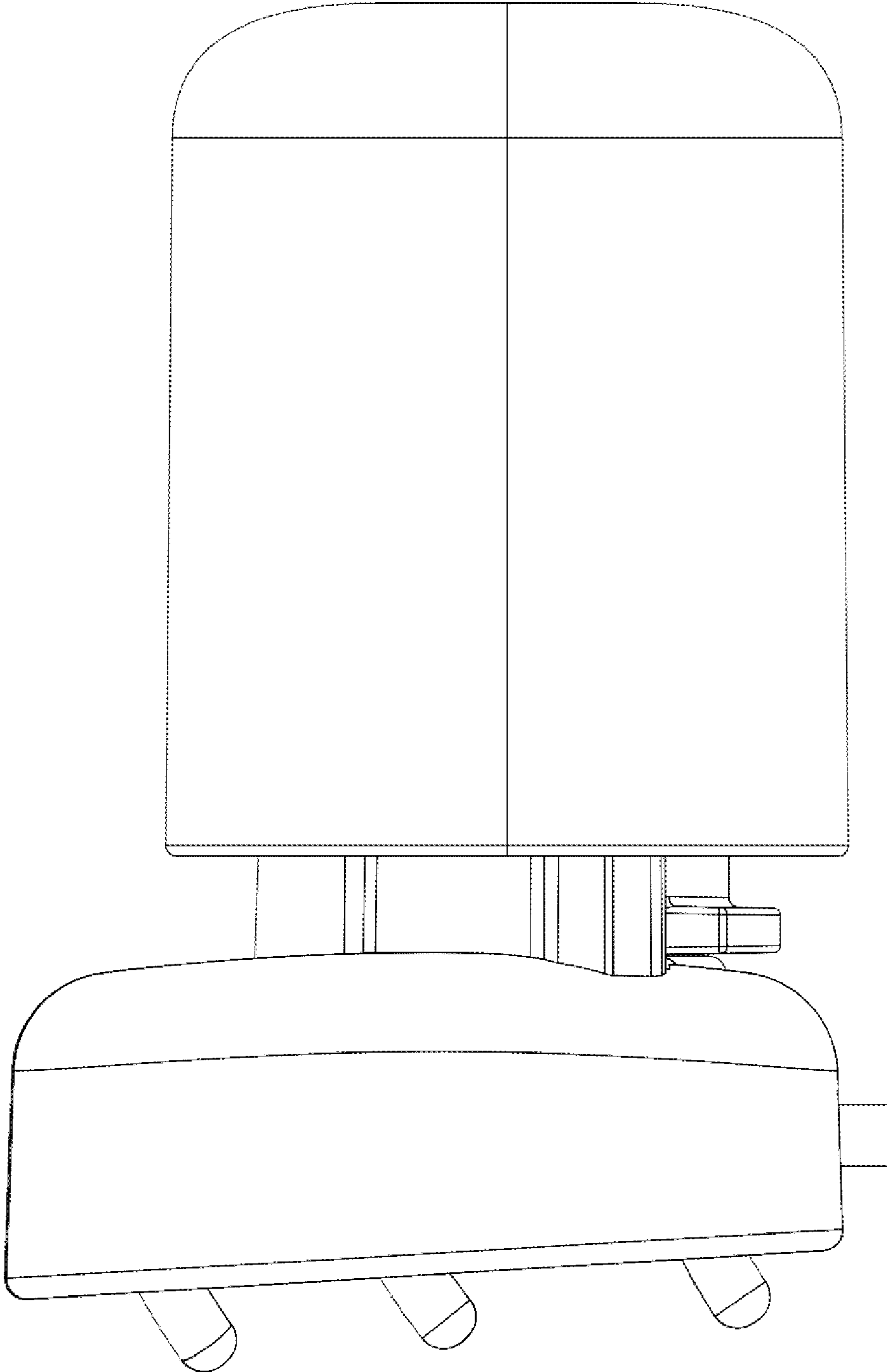


FIGURE 2

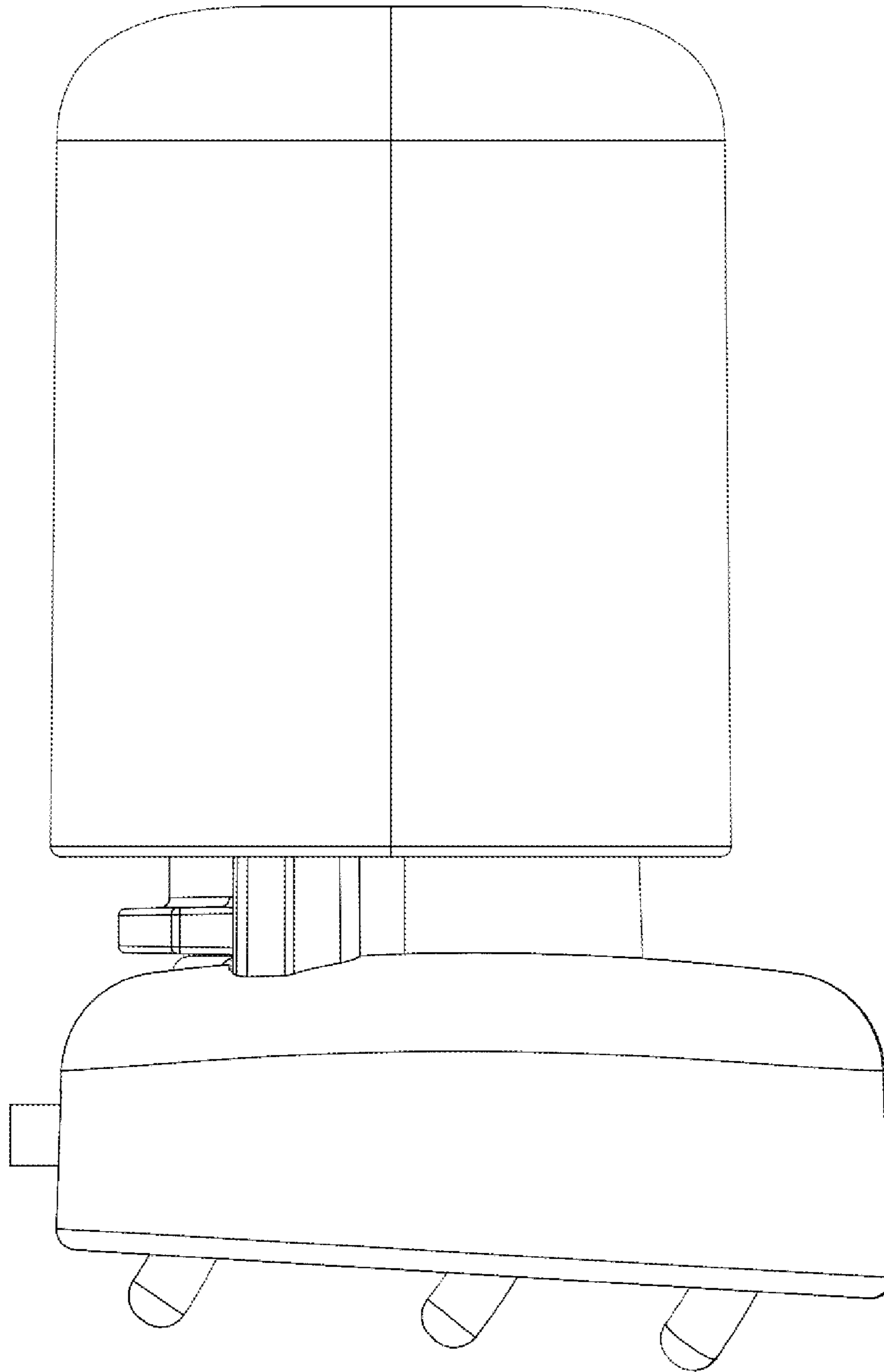


FIGURE 3

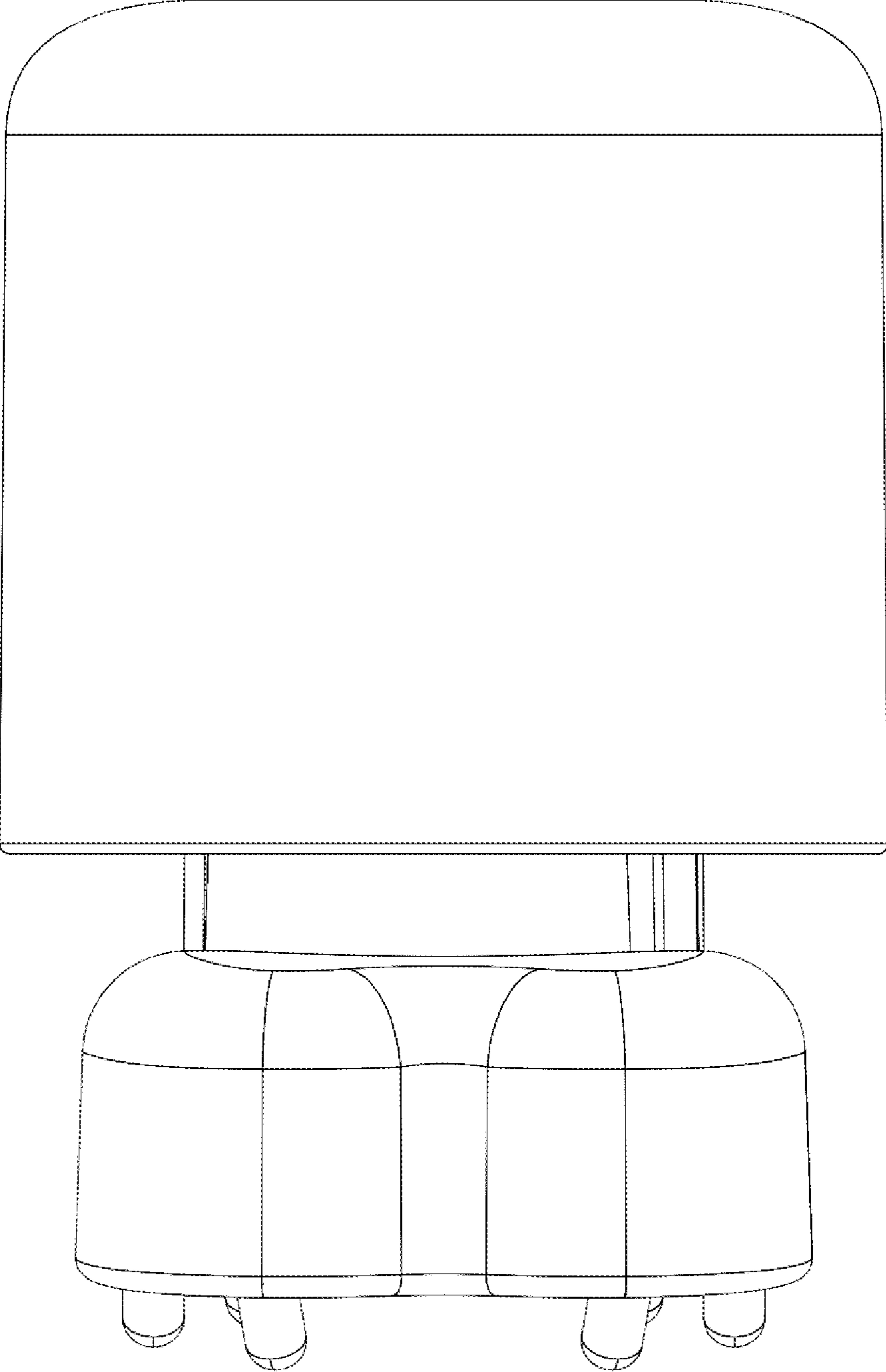


FIGURE 4

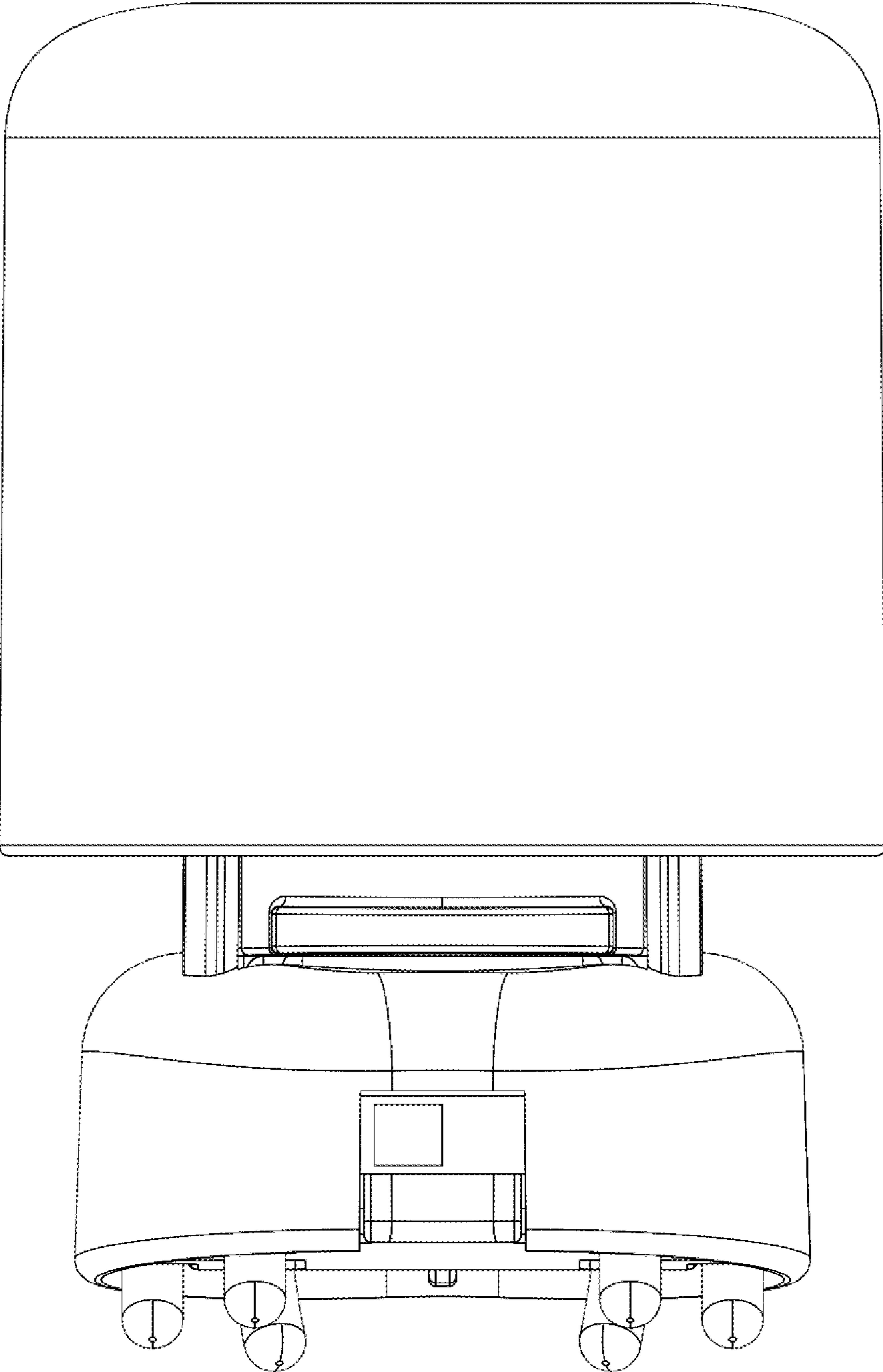


FIGURE 5

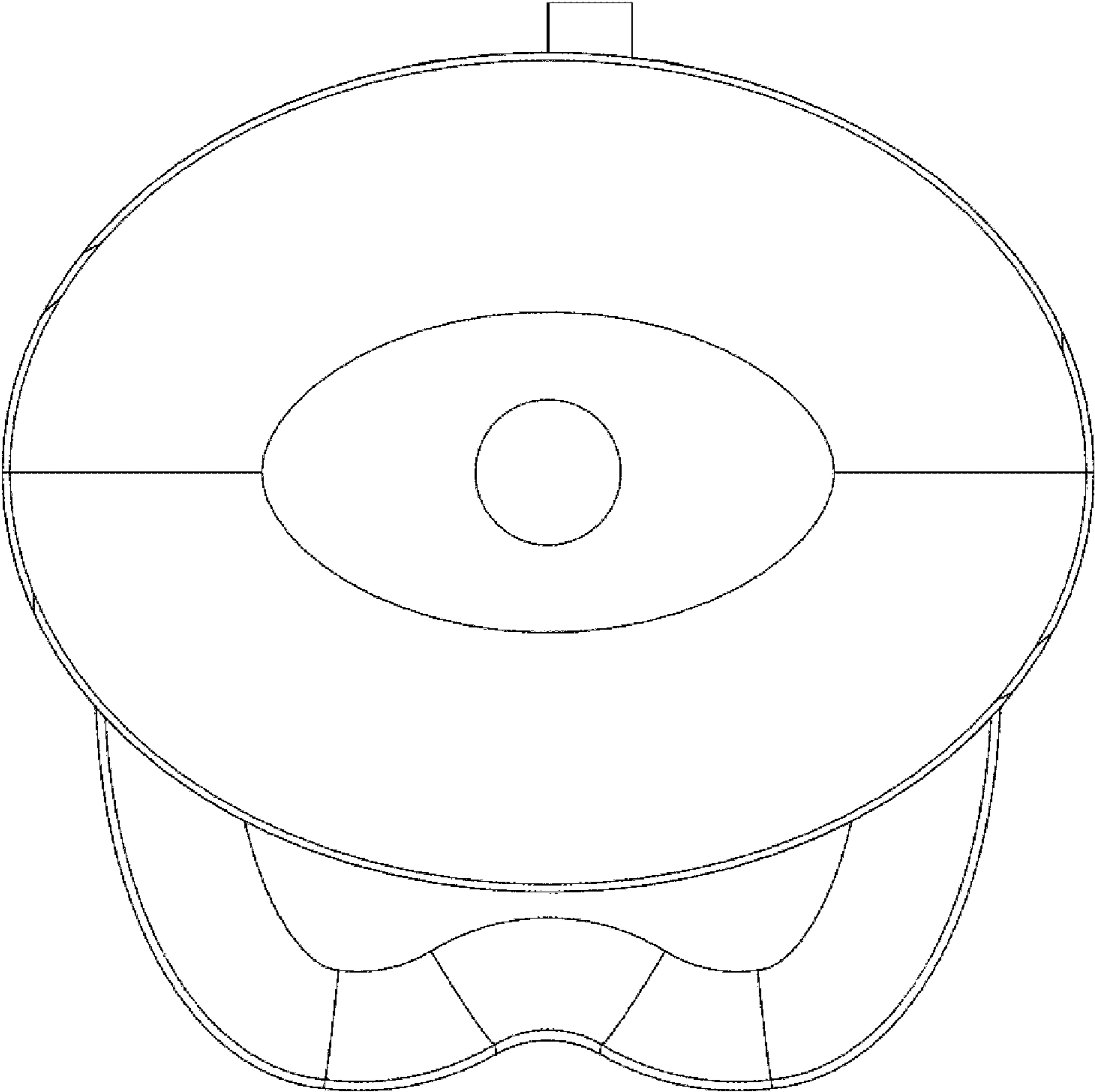


FIGURE 6

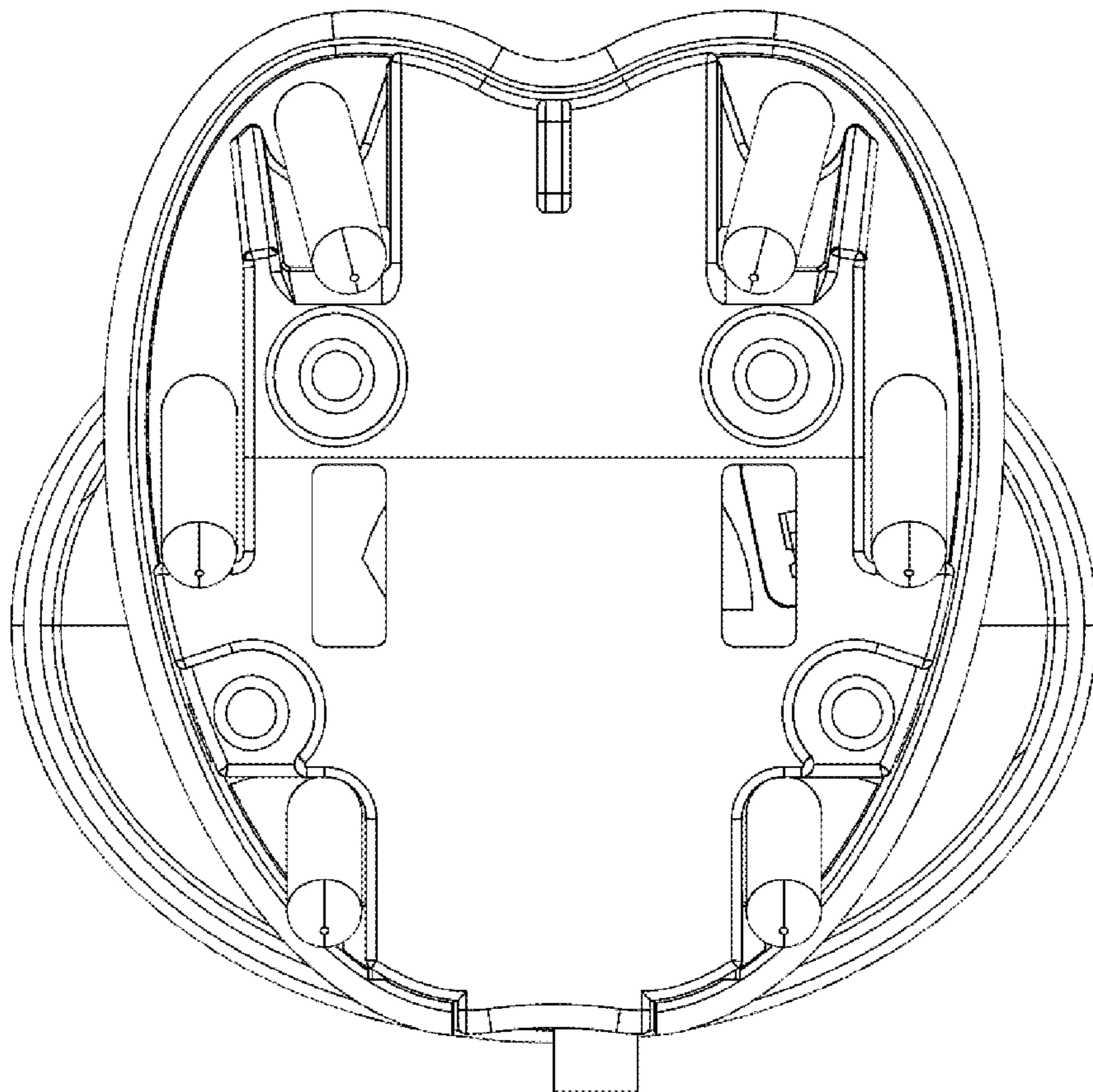


FIGURE 7

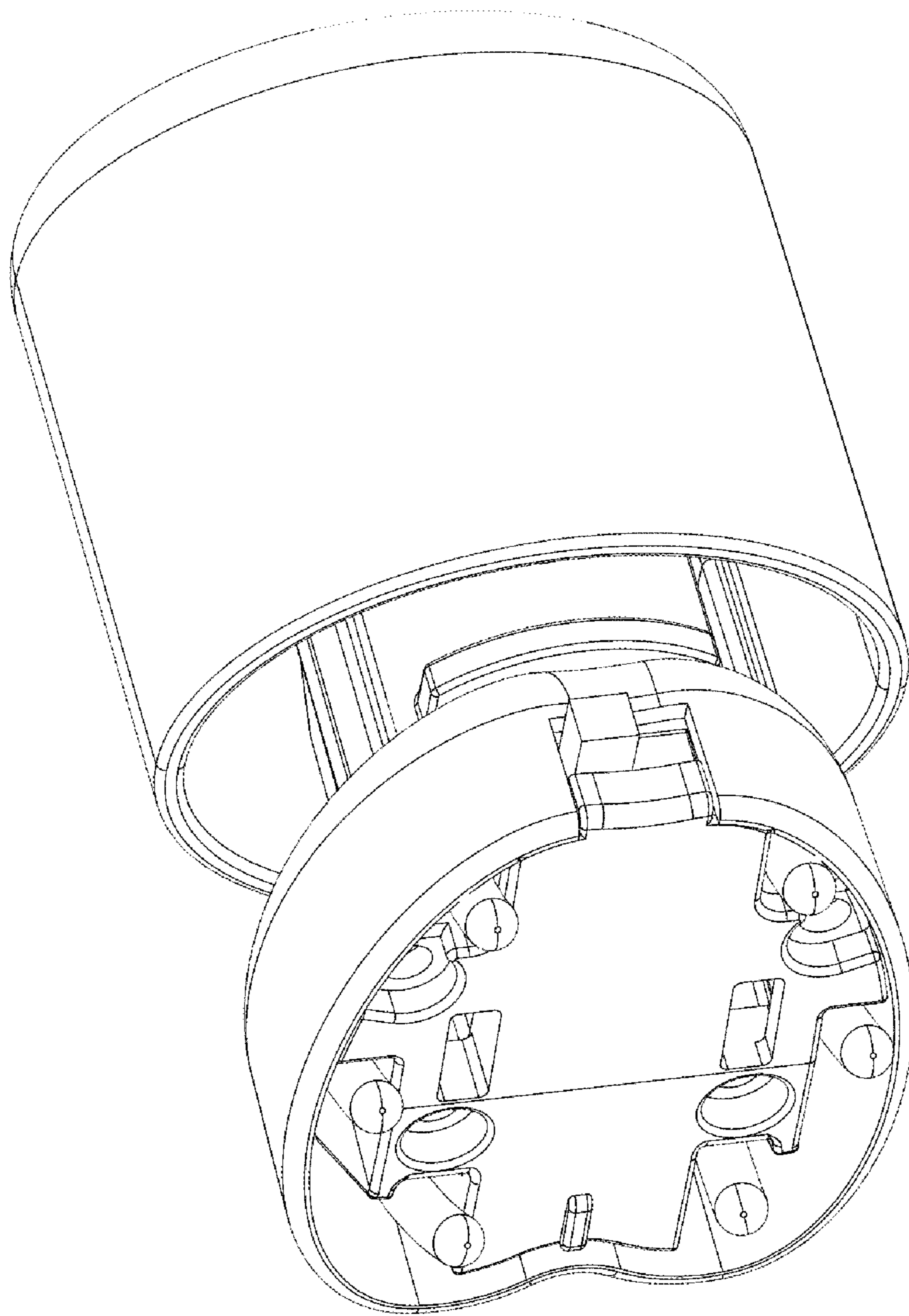


FIGURE 8