

US00D677741S

(12) **United States Design Patent**  
**Wilson**

(10) **Patent No.:** **US D677,741 S**  
(45) **Date of Patent:** **\*\* Mar. 12, 2013**

- (54) **SQUIRT GUN**
- (71) Applicant: **Kyle S. Wilson**, Sandy, UT (US)
- (72) Inventor: **Kyle S. Wilson**, Sandy, UT (US)
- (\*\*) Term: **14 Years**
- (21) Appl. No.: **29/434,148**
- (22) Filed: **Oct. 10, 2012**

D192,474 S *	3/1962	Benkoe .....	D21/574
3,919,799 A *	11/1975	Austin et al. ....	D21/573
D261,786 S *	11/1981	Steinberg .....	D21/574
D302,848 S *	8/1989	Kao .....	D23/226
D309,759 S *	8/1990	Mak .....	D21/401
D358,178 S *	5/1995	O'Dell .....	D21/385
D477,642 S *	7/2003	Byrd .....	D21/574
D488,521 S *	4/2004	Byrd .....	D21/574
D522,070 S *	5/2006	Hunter et al. ....	D21/570
D617,398 S *	6/2010	Selevan .....	D21/572

\* cited by examiner

**Related U.S. Application Data**

- (60) Division of application No. 29/415,133, filed on Mar. 7, 2012, which is a continuation-in-part of application No. 29/395,174, filed on Dec. 12, 2011.
- (51) **LOC (9) Cl.** ..... **21-01**
- (52) **U.S. Cl.** ..... **D21/572**
- (58) **Field of Classification Search** ..... D21/401, D21/567, 575; D22/100, 103, 104, 105; D23/231; 446/175, 176, 180, 473; 222/78, 222/79; 239/211, 222.11, 237, 329, 373, 239/525, 526; 124/63-65, 69, 73-75  
See application file for complete search history.

*Primary Examiner* — Cynthia M Chin  
(74) *Attorney, Agent, or Firm* — Bateman IP

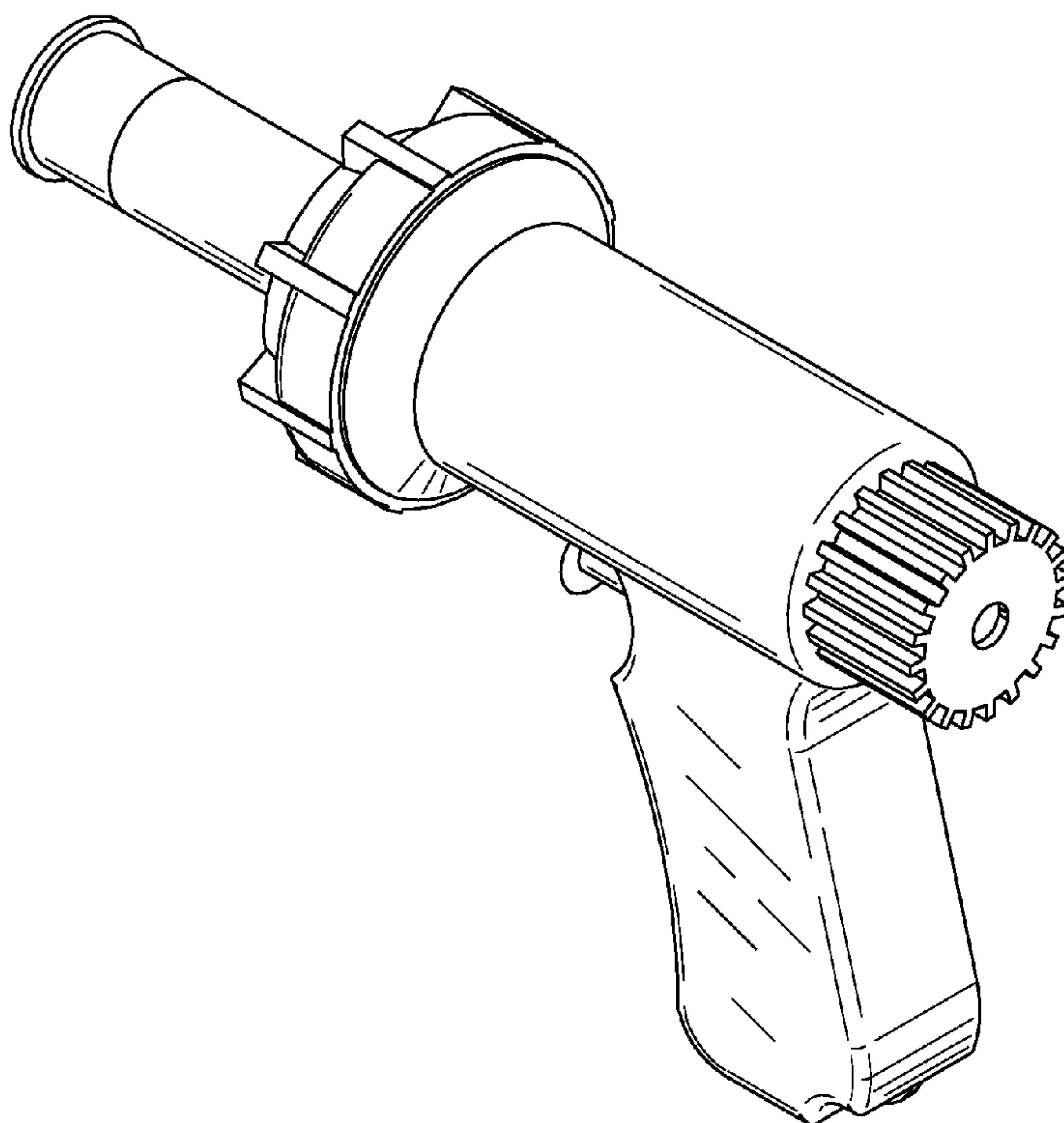
(57) **CLAIM**  
The ornamental design for a squirt gun, as shown and described.

**DESCRIPTION**

FIG. 1 shows a perspective view of a squirt gun of the present invention;  
FIG. 2 shows a left side view of the squirt gun of FIG. 1;  
FIG. 3 shows a right side view of the squirt gun of FIG. 1;  
FIG. 4 shows a top view of the squirt gun of FIG. 1;  
FIG. 5 shows a bottom view of the squirt gun of FIG. 1;  
FIG. 6 shows a front view of the squirt gun of FIG. 1; and,  
FIG. 7 shows a back view of the squirt gun of FIG. 1.

- (56) **References Cited**  
U.S. PATENT DOCUMENTS  
D164,657 S \* 9/1951 Tovel ..... D21/574  
D169,440 S \* 4/1953 Hirsch ..... D21/574

**1 Claim, 4 Drawing Sheets**



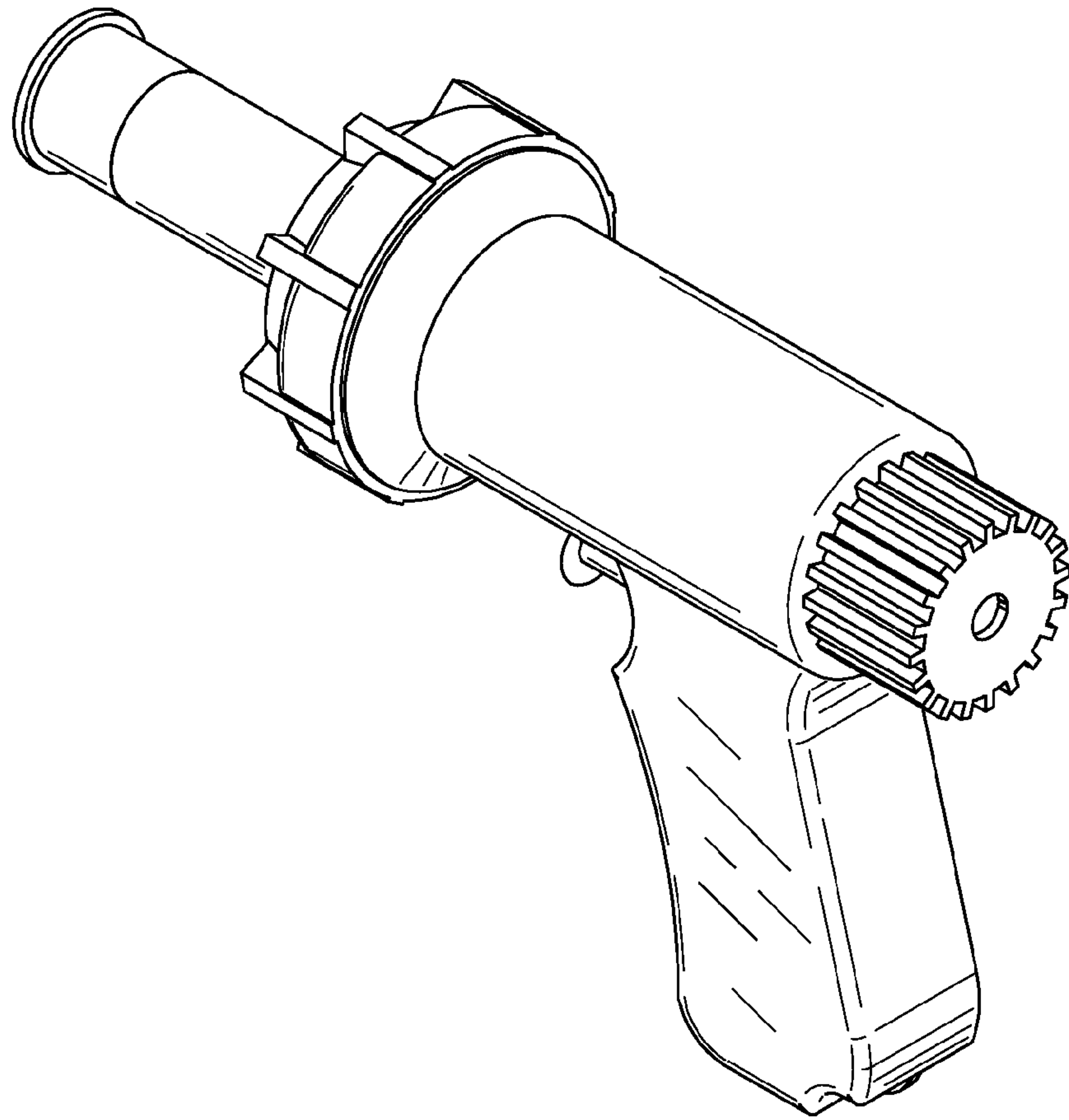


FIG. 1

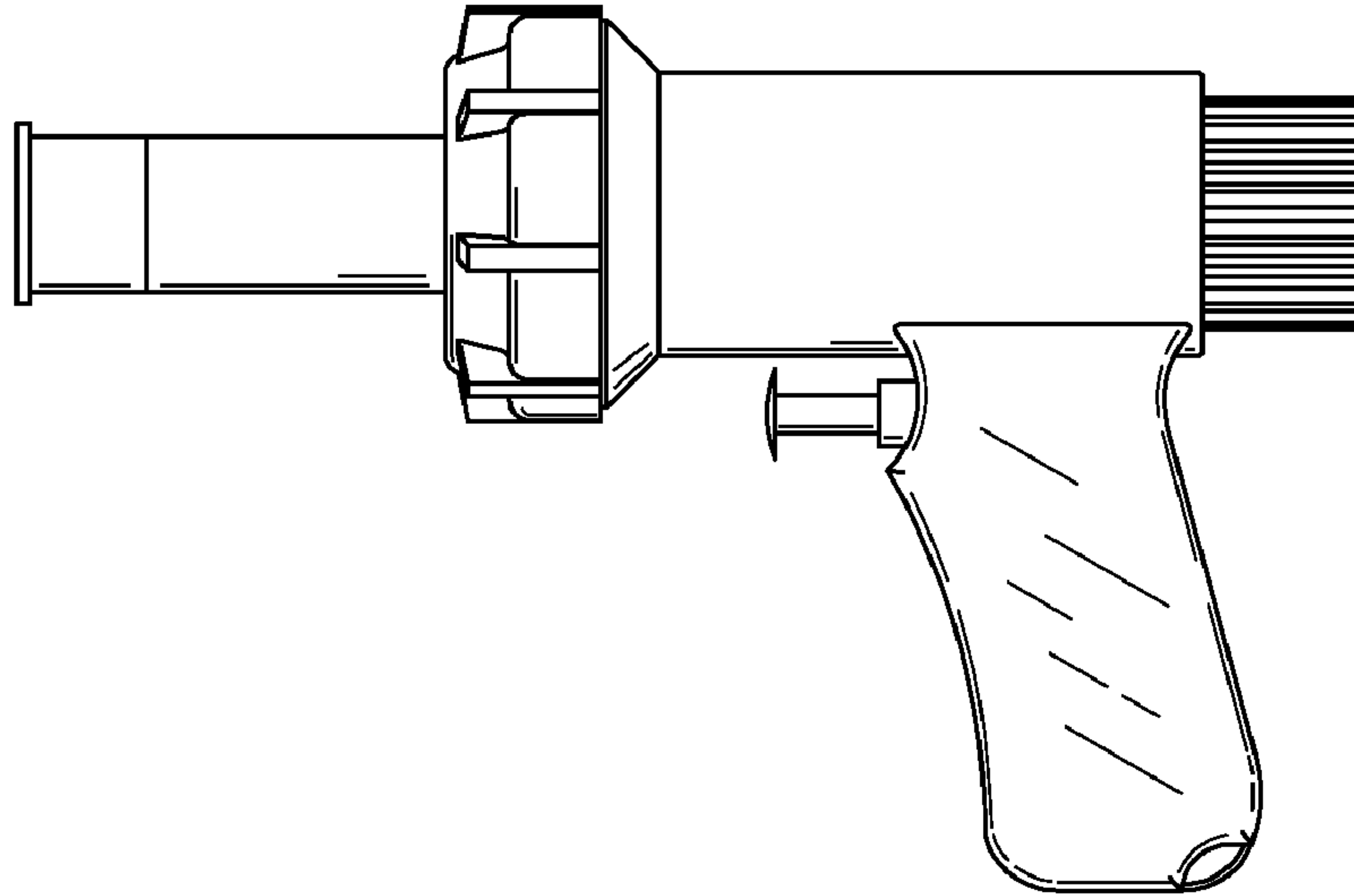


FIG. 2

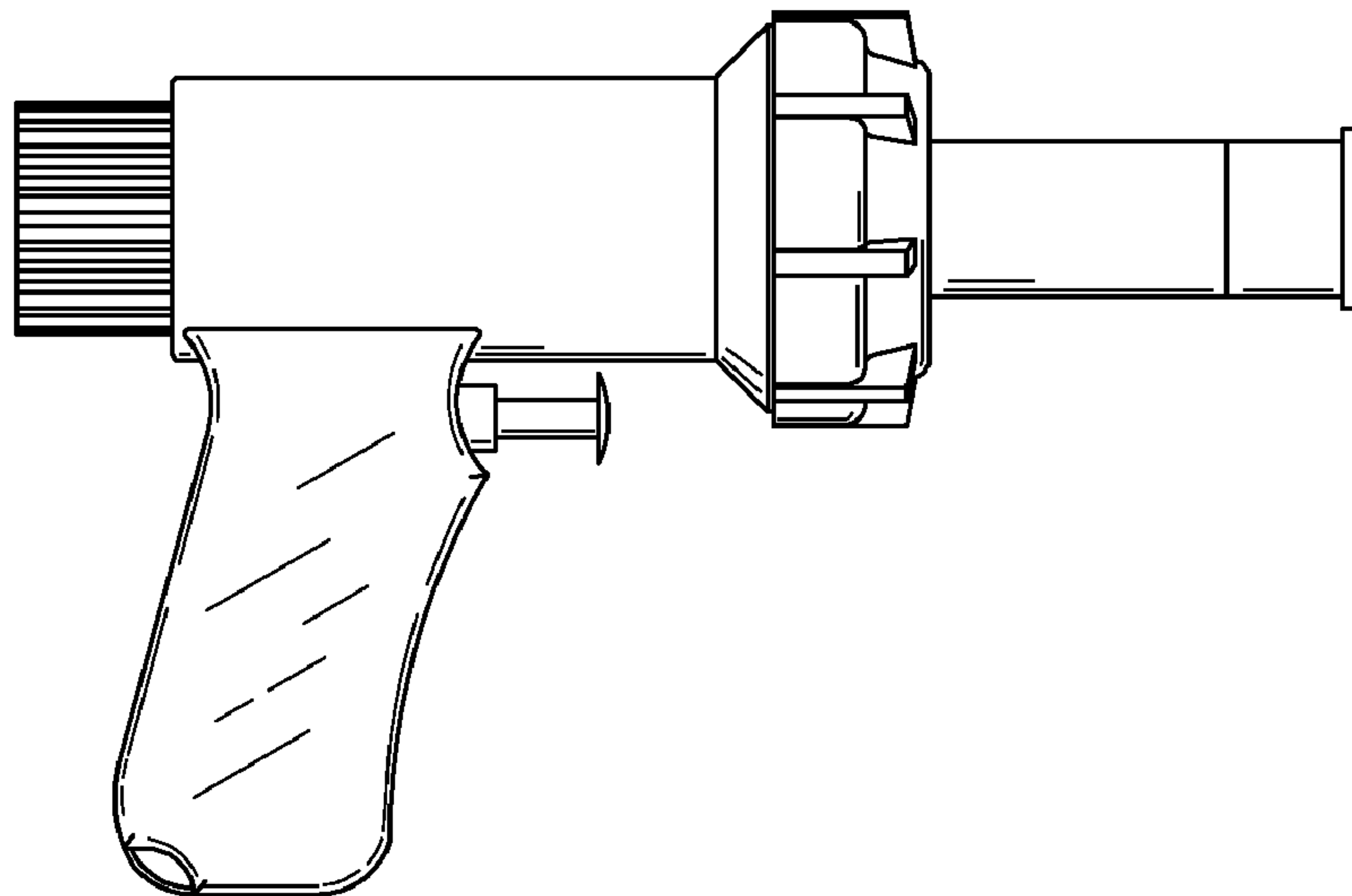


FIG. 3

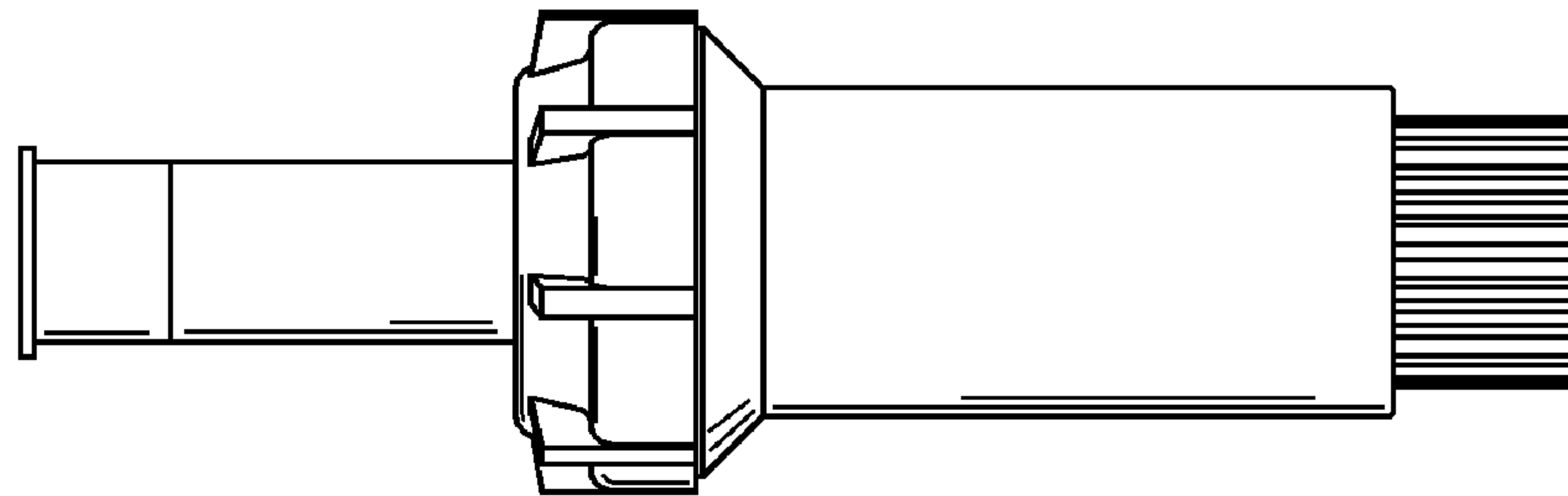


FIG. 4

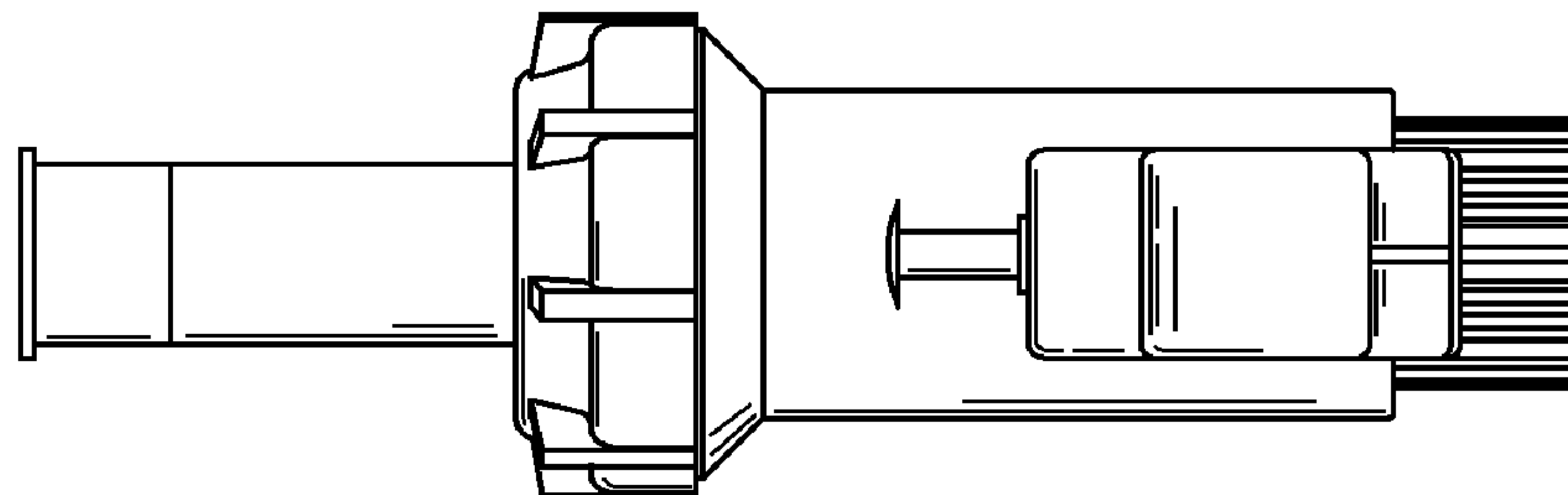


FIG. 5

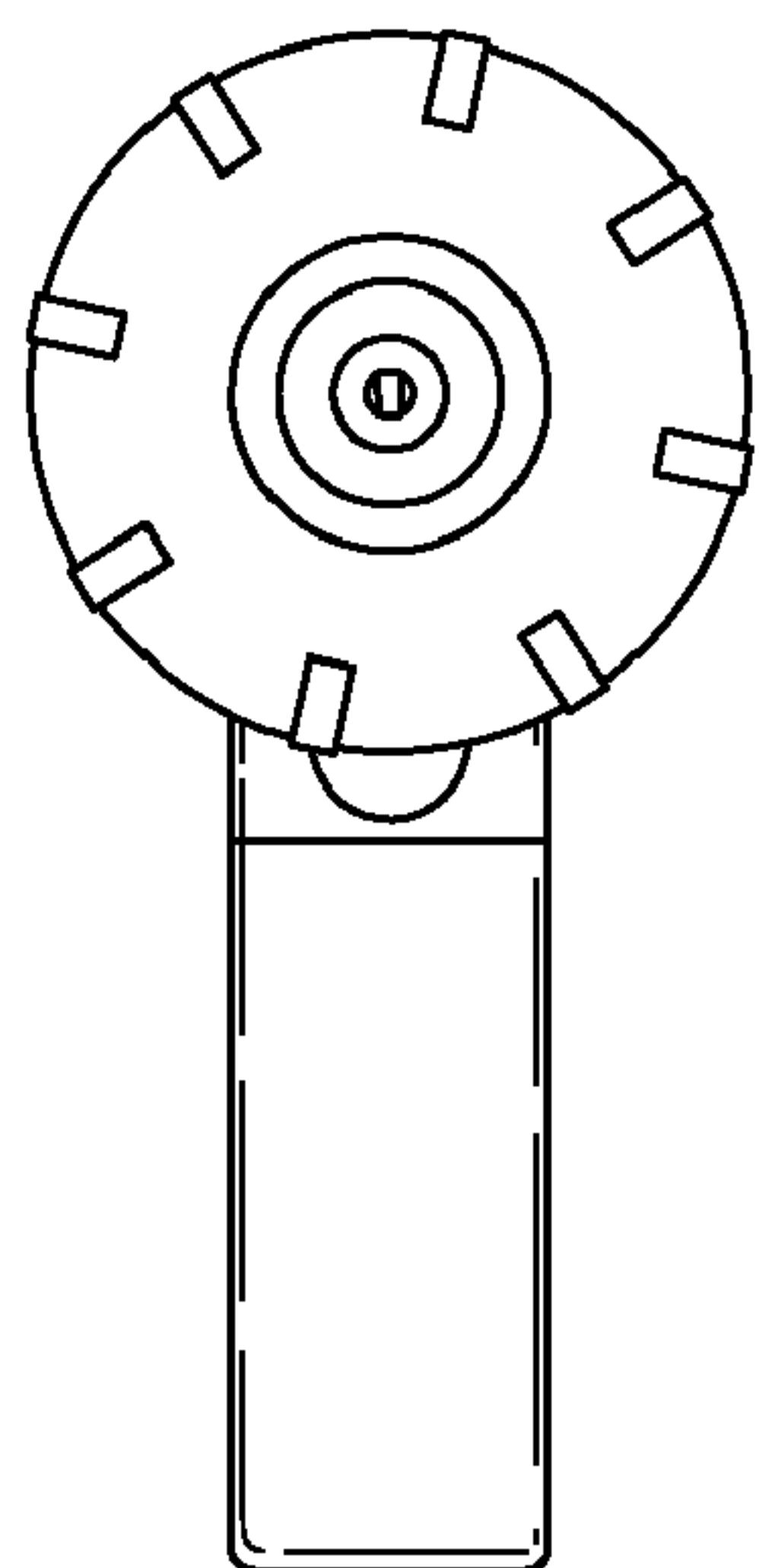


FIG. 6

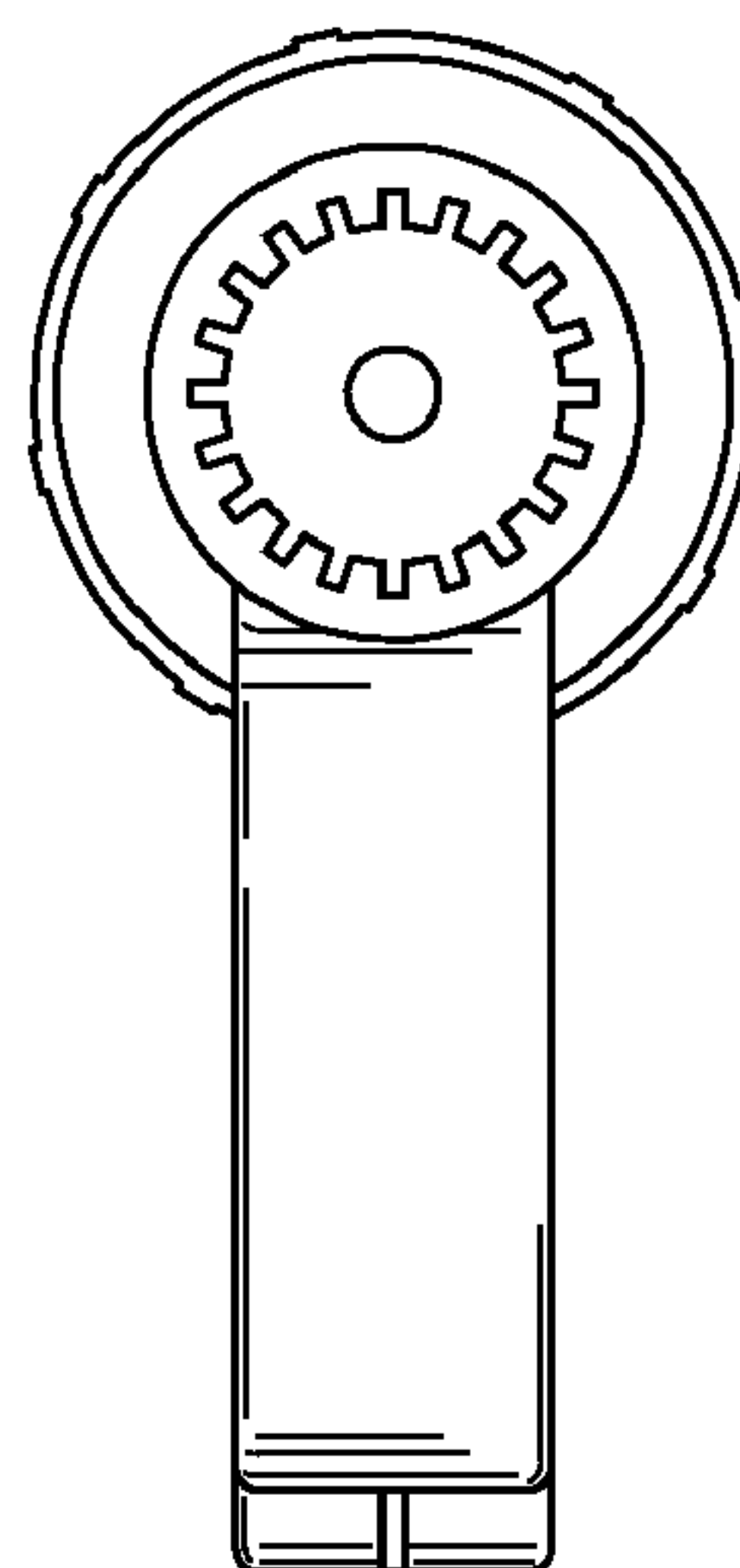


FIG. 7