



US00D677740S

(12) **United States Design Patent**
Mimlitch, III et al.

(10) **Patent No.:** **US D677,740 S**
(45) **Date of Patent:** **** *Mar. 12, 2013**

(54) **TEETER-TOTTER PART OF A PLAYSET**

(56) **References Cited**

(75) Inventors: **Robert H. Mimlitch, III**, Rowlett, TX (US); **David A. Norman**, Greenville, TX (US); **Douglas Galletti**, Allen, TX (US); **Joel Carter**, Argyle, TX (US); **Gregory Lavender**, Rockwall, TX (US); **Gregory Needel**, Rockwall, TX (US); **Christopher Robert Troyak**, Plano, TX (US); **Jeffrey Russell Waegelin**, Rockwall, TX (US); **Brian Richard Delaney**, Rockwall, TX (US)

U.S. PATENT DOCUMENTS

3,359,920	A *	12/1967	Iammatteo	463/62
3,908,989	A *	9/1975	Meyer	273/441
4,185,409	A *	1/1980	Cheng	446/487
4,213,266	A *	7/1980	Hyland et al.	446/431
4,227,693	A *	10/1980	Moe et al.	463/69
4,468,031	A *	8/1984	Barlow et al.	273/110
4,513,966	A *	4/1985	Mucaro et al.	238/10 F
4,673,182	A *	6/1987	Bowen	273/110
6,736,330	B2 *	5/2004	Kanda	238/10 R

* cited by examiner

(73) Assignee: **Innovation First International, Inc.**, Greenville, TX (US)

Primary Examiner — Cynthia M Chin

(74) *Attorney, Agent, or Firm* — Adam K. Sacharoff

(*) Notice: This patent is subject to a terminal disclaimer.

(57) **CLAIM**

The ornamental design for a teeter-totter part of a playset, as shown and described.

(**) Term: **14 Years**

DESCRIPTION

(21) Appl. No.: **29/398,592**

FIG. 1 is a top perspective view showing a teeter-totter part of a playset;

(22) Filed: **Aug. 2, 2011**

FIG. 2 is a bottom perspective view of FIG. 1;

(51) **LOC (9) Cl.** **21-01**

FIG. 3 is a top view of FIG. 1;

(52) **U.S. Cl.** **D21/565; D21/412**

FIG. 4 is a bottom view of FIG. 1;

(58) **Field of Classification Search** D21/412,

FIG. 5 is a right side view of FIG. 1, the left side view being a mirror image thereof; and,

D21/484, 490, 493, 506, 509, 564, 565, 814,

FIG. 6 is a front side view of FIG. 1, the back side view being a mirror image thereof.

D21/828; 446/168–174, 84, 89, 108, 112,

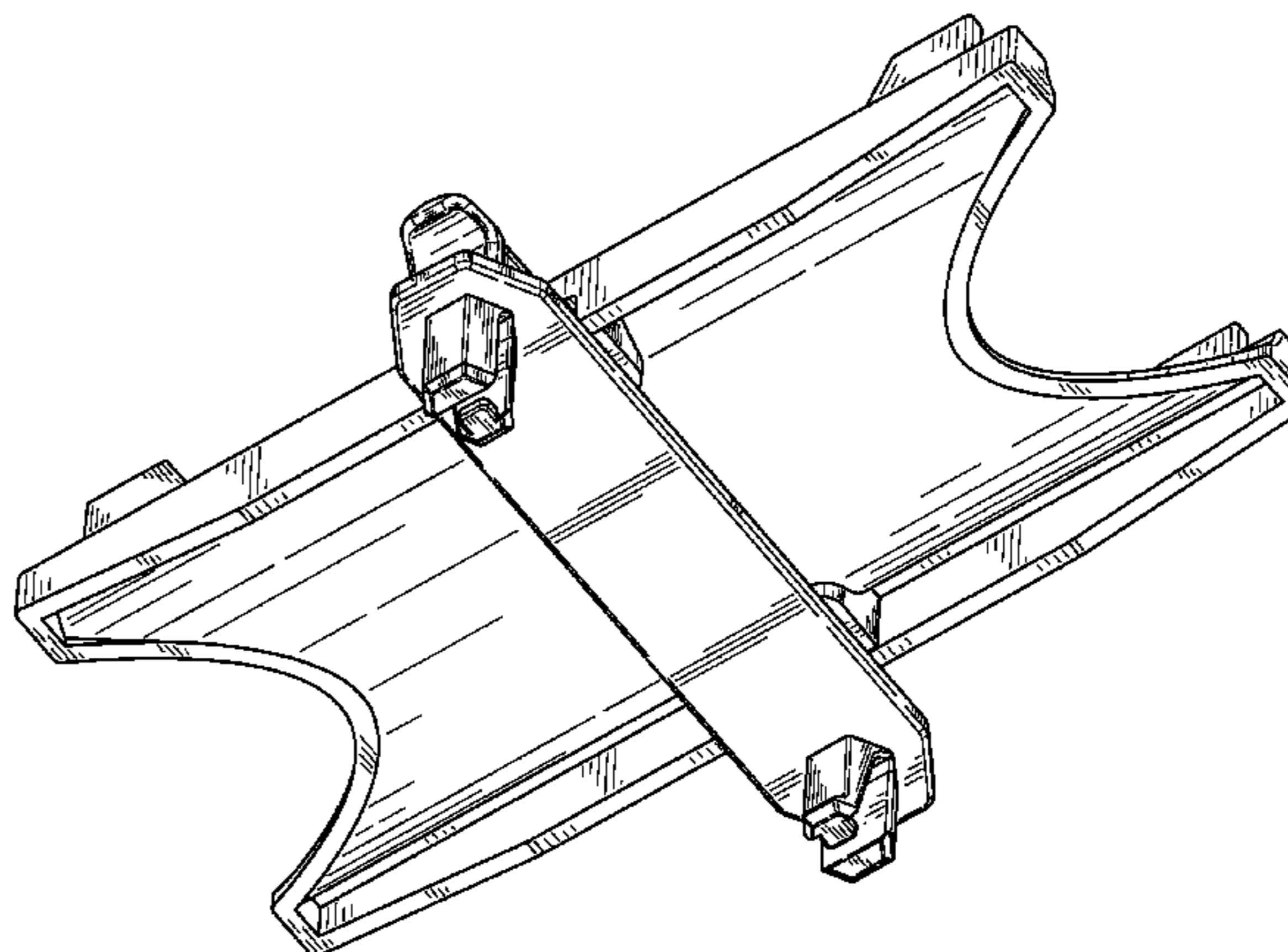
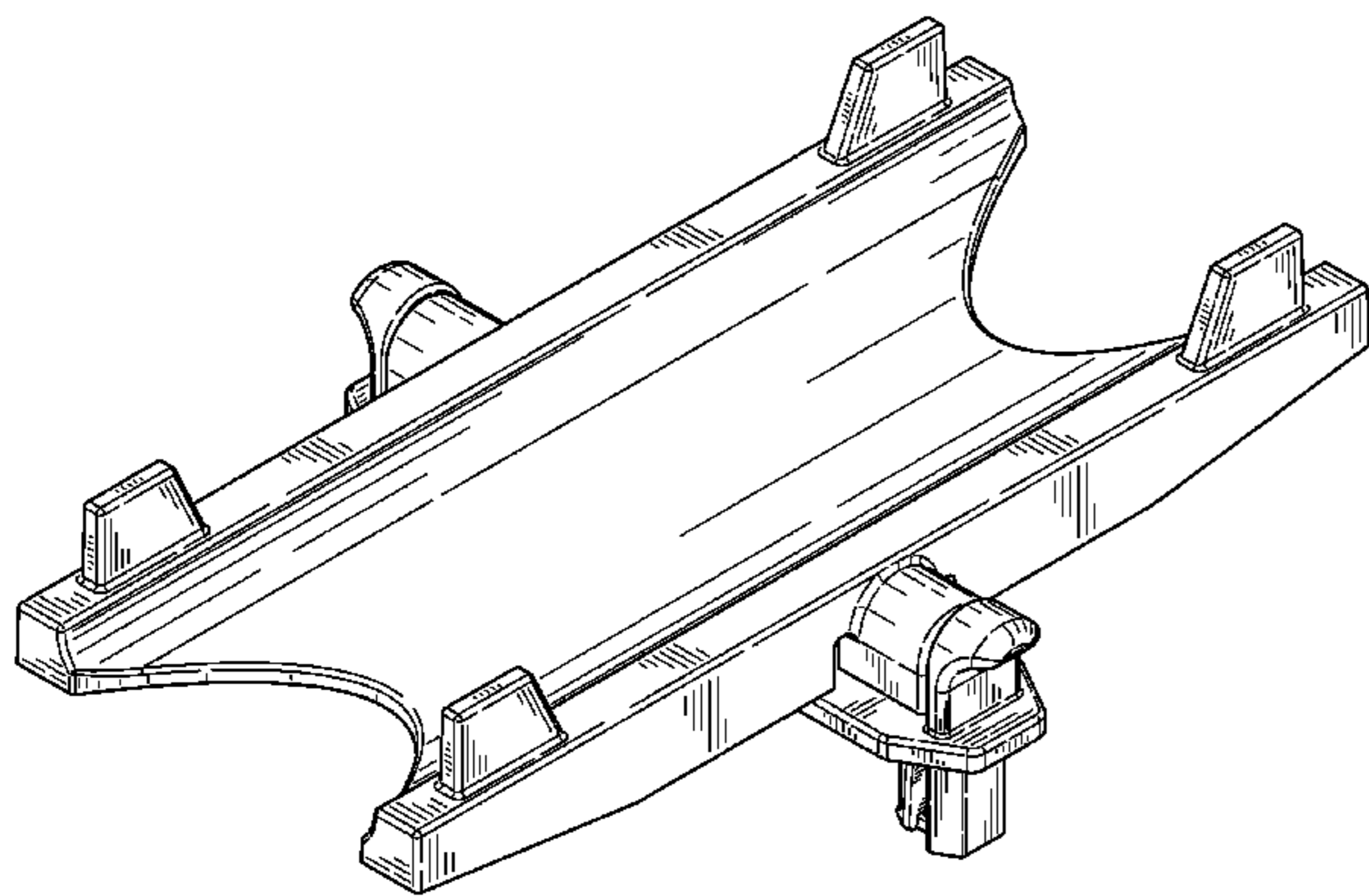
446/114, 116, 124–128, 429, 444–447; 463/58–69;

238/10 R, 10 A–10 C, 10 E, 10 F; 104/60,

104/69

See application file for complete search history.

1 Claim, 5 Drawing Sheets



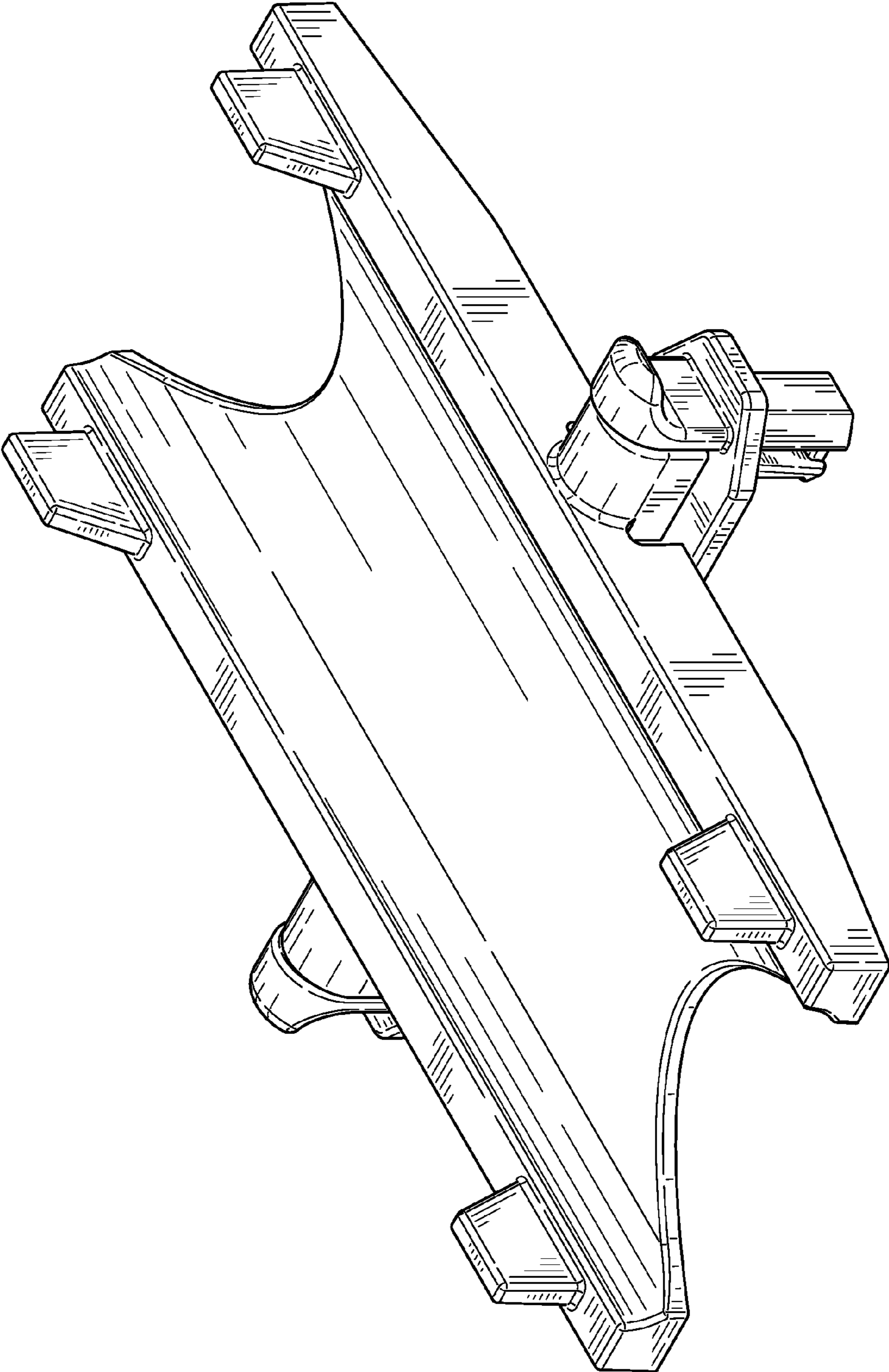


FIG. 1

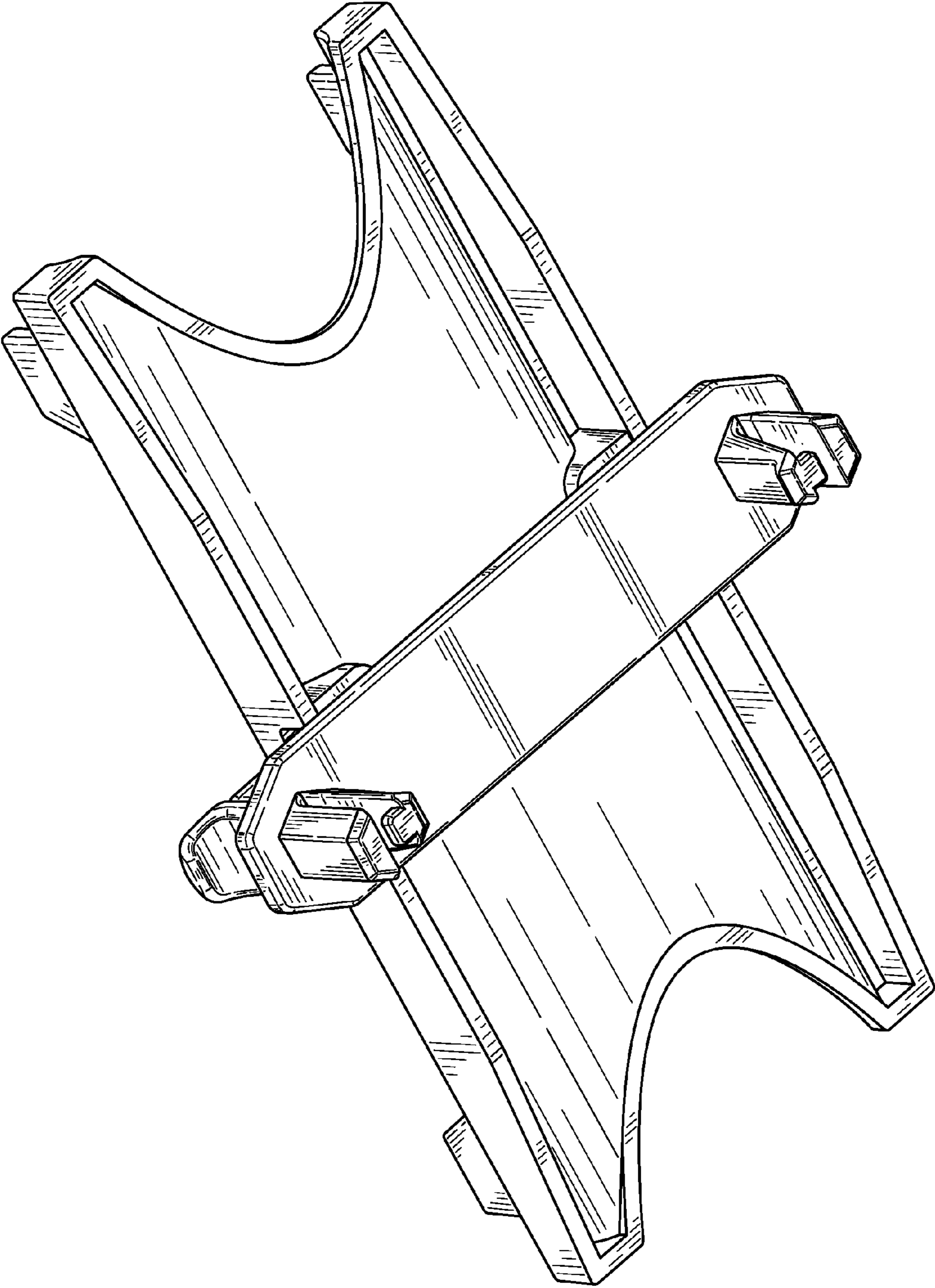


FIG. 2

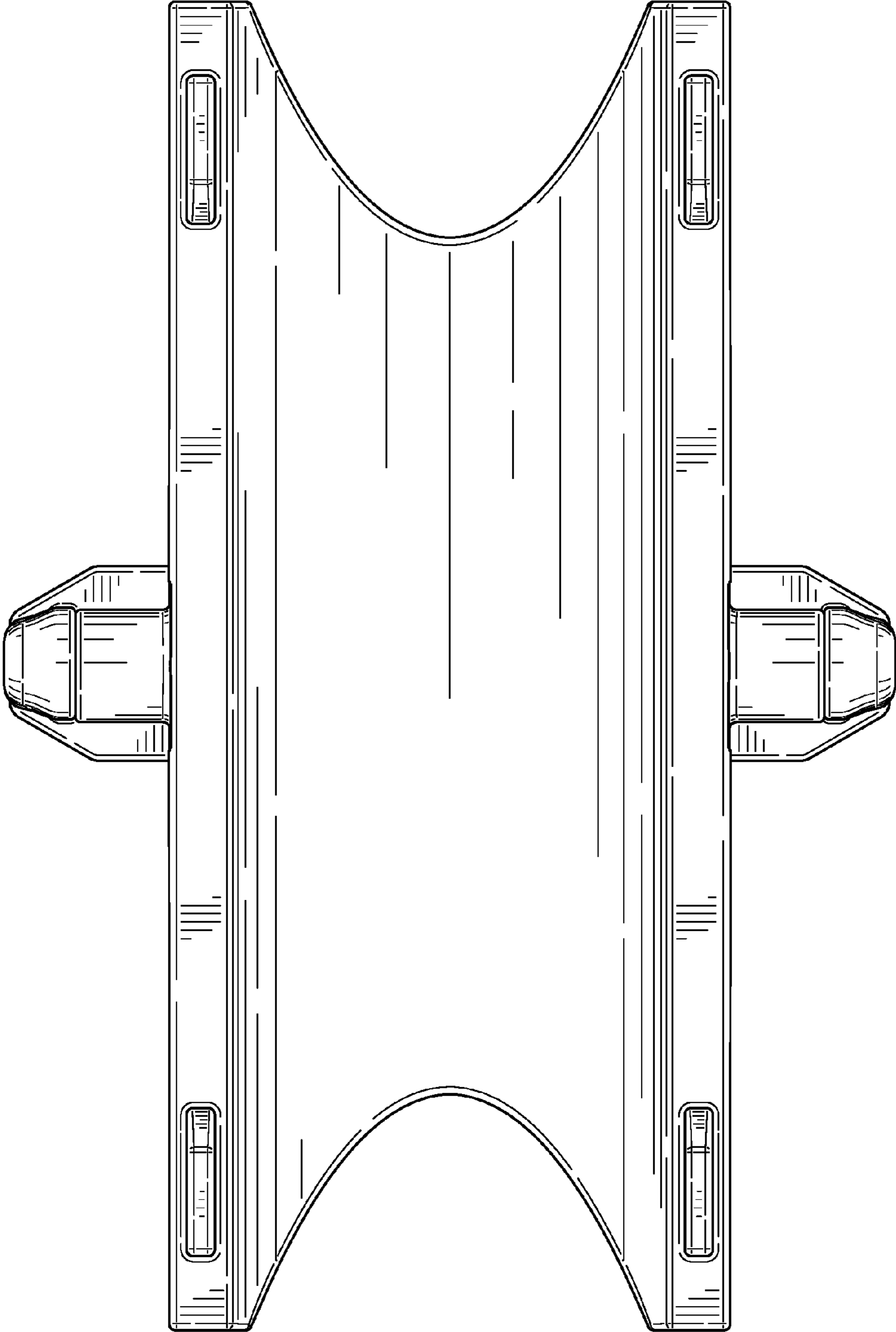


FIG. 3

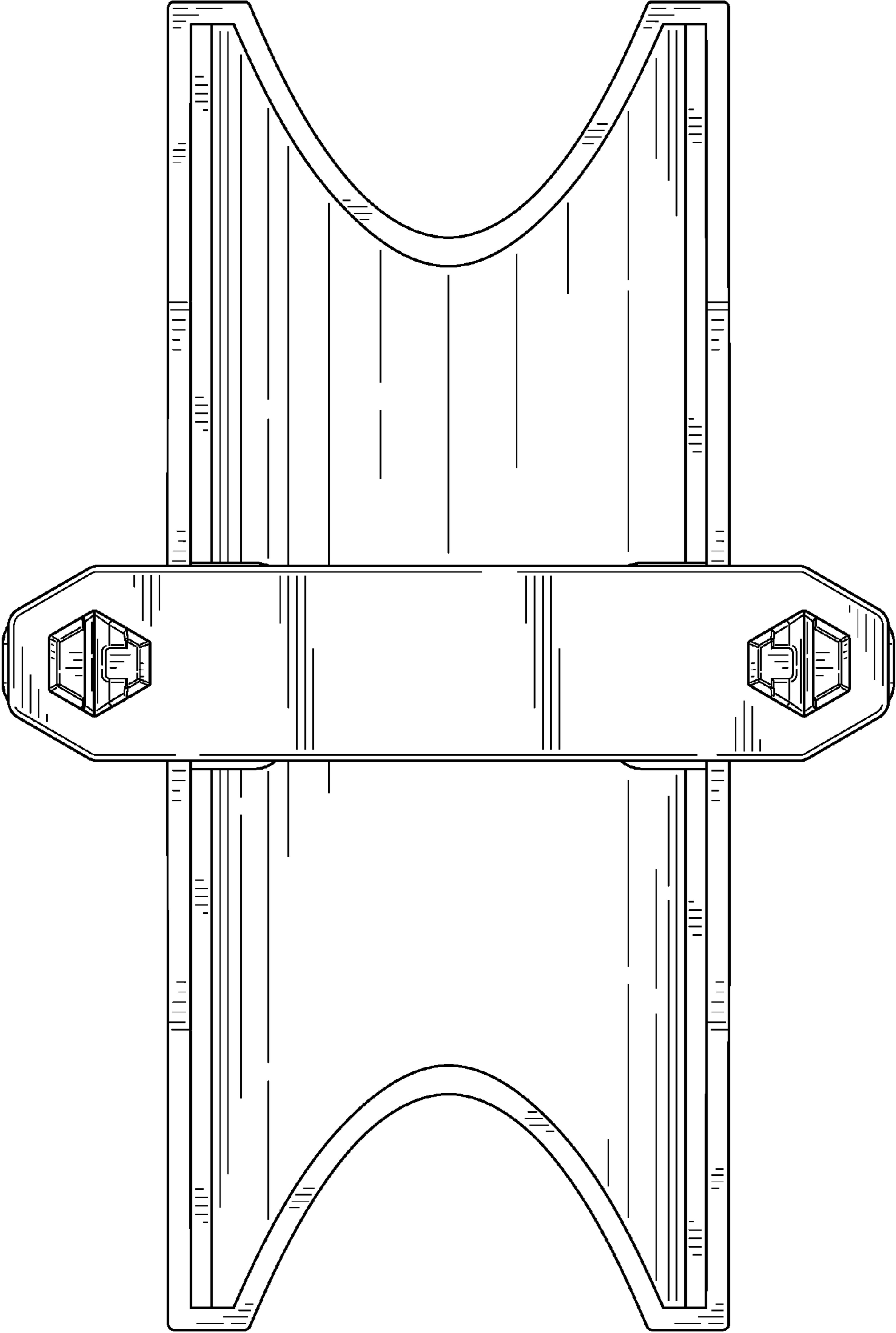


FIG. 4

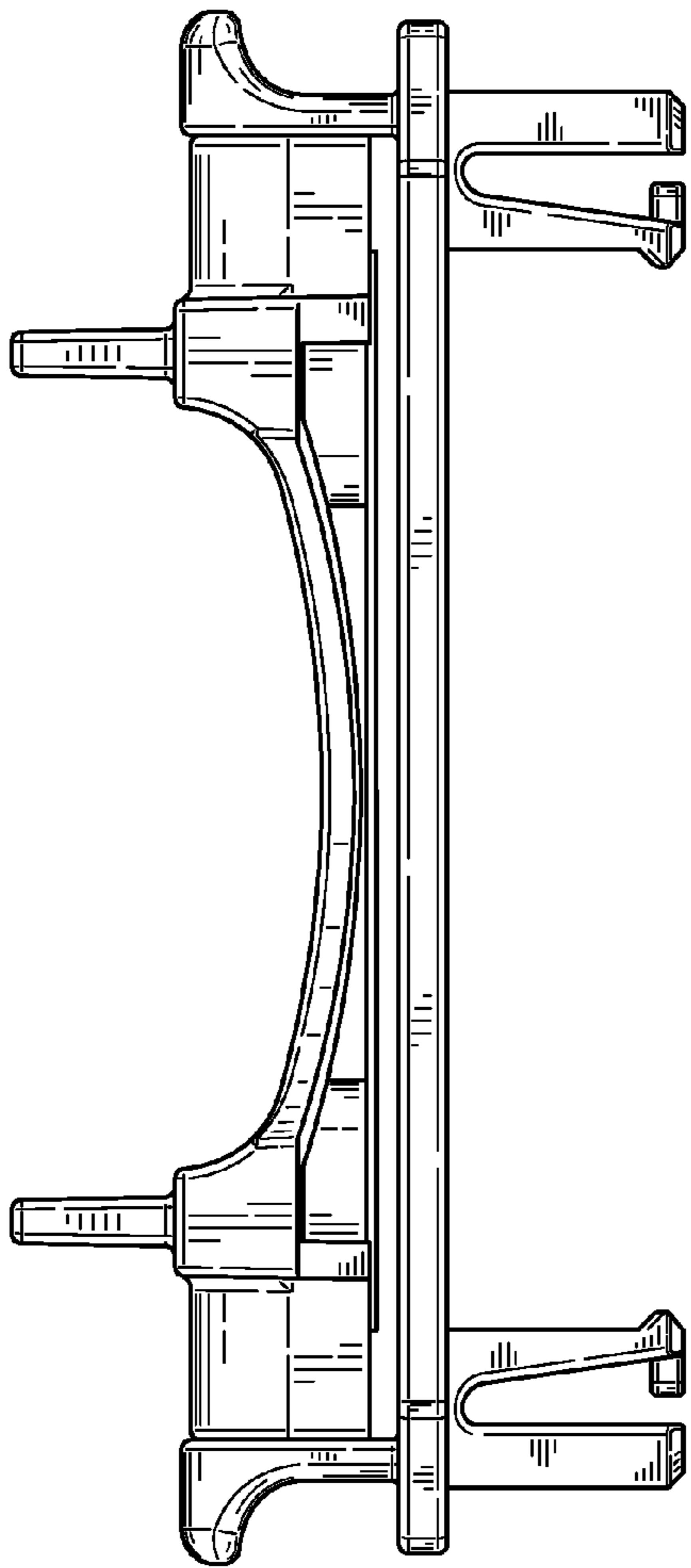


FIG. 5

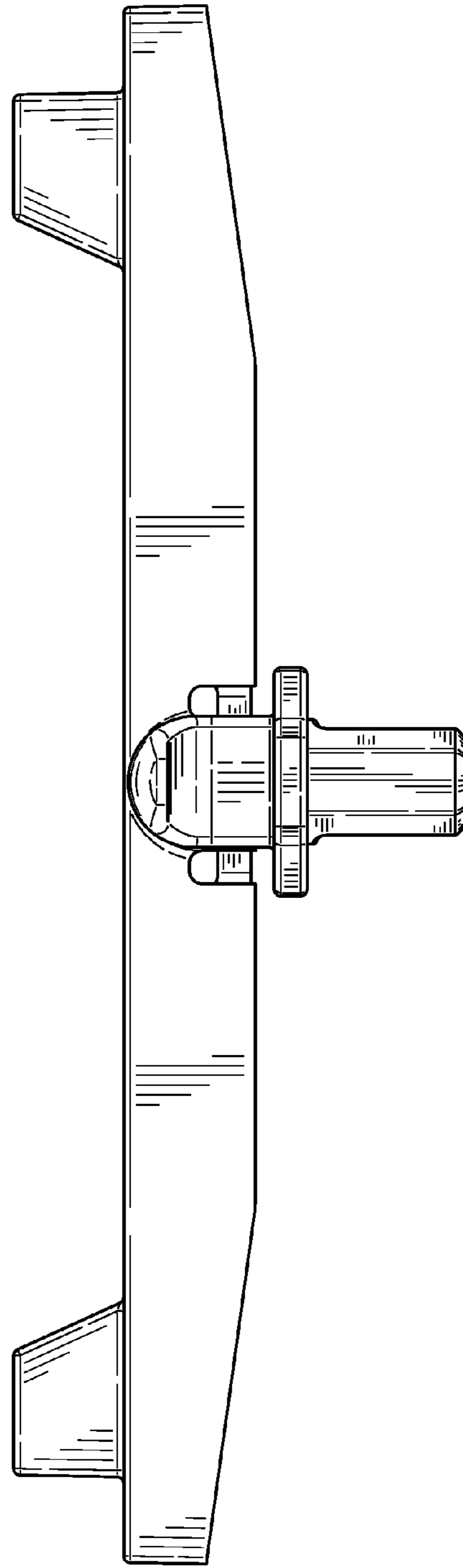


FIG. 6