



US00D677735S

(12) **United States Design Patent**
Bird

(10) **Patent No.:** **US D677,735 S**
(45) **Date of Patent:** **** Mar. 12, 2013**

(54) **FLUSH SIGN HOLDER FOR PERFORATED SHELVES**

(75) Inventor: **Gregory M. Bird**, Solon, OH (US)
(73) Assignee: **Fasteners For Retail, Inc.**, Twinsburg, OH (US)

(**) Term: **14 Years**

(21) Appl. No.: **29/414,628**

(22) Filed: **Mar. 1, 2012**

Related U.S. Application Data

(62) Division of application No. 29/397,261, filed on Jul. 13, 2011, now Pat. No. Des. 657,822.

(51) **LOC (9) Cl.** **20-03**

(52) **U.S. Cl.** **D20/43**

(58) **Field of Classification Search** D20/10,
D20/19, 43, 44, 99; 40/642.01, 642.02, 647-655,
40/657-661, 661.03, 661.05-661.07, 661.11;
248/231

See application file for complete search history.

(56) **References Cited**

U.S. PATENT DOCUMENTS

1,822,787	A	9/1931	Slawson	
4,987,692	A *	1/1991	Fast	40/657
5,346,166	A	9/1994	Valiulis	
5,375,803	A	12/1994	Kump	
D424,121	S	5/2000	Kump	
D425,134	S	5/2000	Kump	
6,082,687	A	7/2000	Kump et al.	
D440,606	S	4/2001	Mueller	
6,289,618	B1	9/2001	Kump et al.	
6,341,755	B1	1/2002	Kump	
6,354,546	B1	3/2002	Mueller	
6,357,711	B1	3/2002	Heyderman et al.	
6,694,654	B2 *	2/2004	Poulokefalos et al.	40/642.01
D496,693	S	9/2004	Mueller	
7,155,852	B2 *	1/2007	Vogler	40/658
D547,807	S *	7/2007	Wamsley	D20/43
7,258,315	B2 *	8/2007	Wamsley	248/231.81
7,322,138	B2 *	1/2008	Gormley et al.	40/658
D657,822	S *	4/2012	Bird	D20/43
2003/0230018	A1 *	12/2003	Poulokefalos et al.	40/642.02
2007/0044361	A1 *	3/2007	Gormley et al.	40/661.03

OTHER PUBLICATIONS

FFR-DSI Yellow Pages 2011 Product Catalog, cover page and p. 132.

* cited by examiner

Primary Examiner — Mary Ann Calabrese

(74) *Attorney, Agent, or Firm* — Fay Sharpe LLP

(57) **CLAIM**

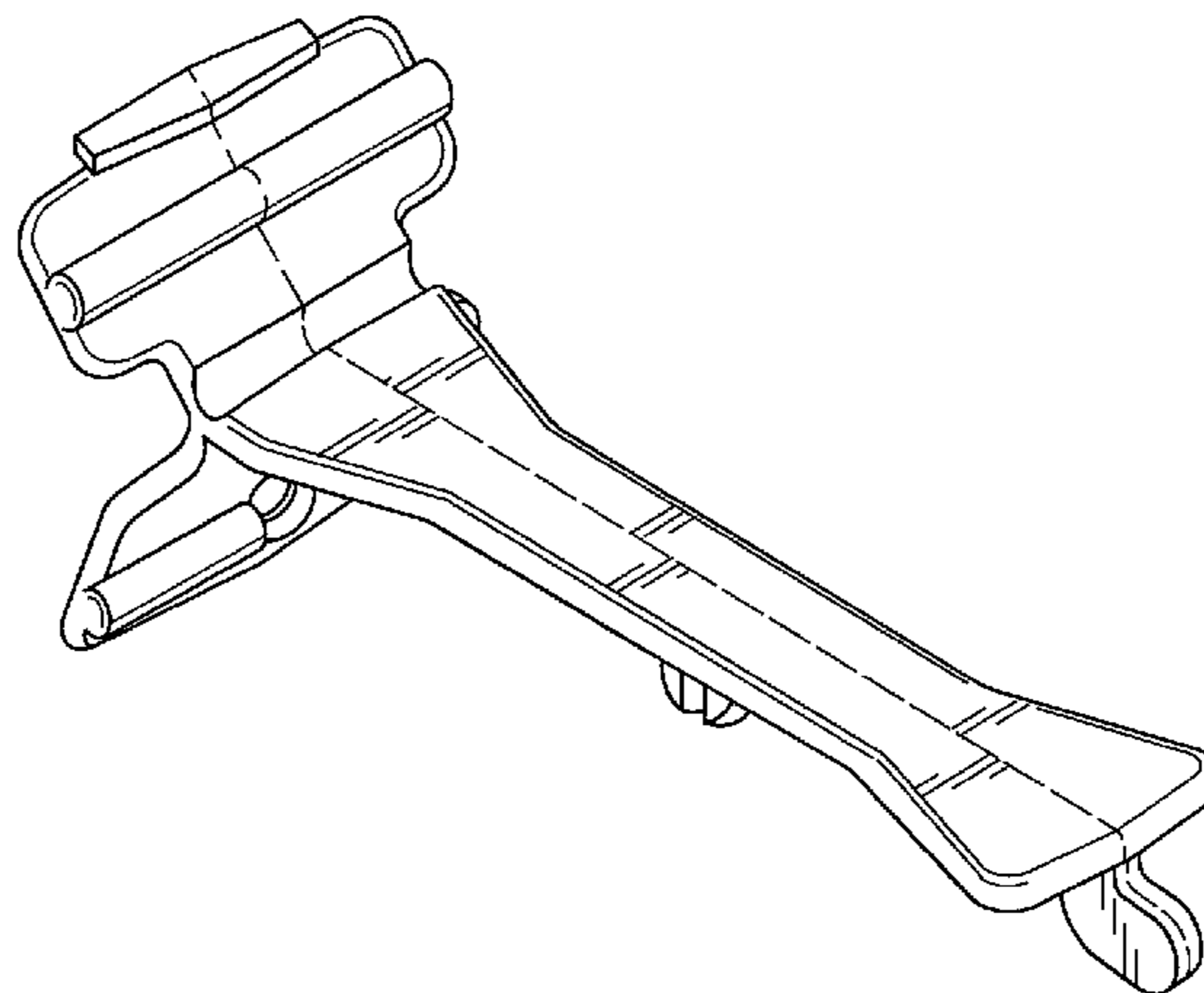
The ornamental design for a flush sign holder for perforated shelves, as shown and described.

DESCRIPTION

FIG. 1 is a perspective view of a flush sign holder for perforated shelves showing a first embodiment of a my new design; FIG. 2 is a bottom plan view thereof; FIG. 3 is a top plan view thereof; FIG. 4 is a perspective view of a flush sign holder for perforated shelves showing a second embodiment of my new design; FIG. 5 is a rear elevational view thereof; FIG. 6 is a bottom plan view thereof; FIG. 7 is a top plan view thereof; FIG. 8 is a perspective view of a flush sign holder for perforated shelves showing a third embodiment of my new design; FIG. 9 is a rear elevational view thereof; FIG. 10 is a bottom plan view thereof; FIG. 11 is a top plan view thereof; FIG. 12 is a perspective view of a flush sign holder for perforated shelves showing a fourth embodiment of my new design; FIG. 13 is a rear elevational view thereof; FIG. 14 is a bottom plan view thereof; FIG. 15 is a top plan view thereof; FIG. 16 is a perspective view of a flush sign holder for perforated shelves showing a fifth embodiment of my new design; FIG. 17 is a rear elevational view thereof; FIG. 18 is a bottom plan view thereof; and, FIG. 19 is a top plan view thereof.

The portions shown in broken lines in FIGS. 1-18 form no part of the claimed design.

1 Claim, 5 Drawing Sheets



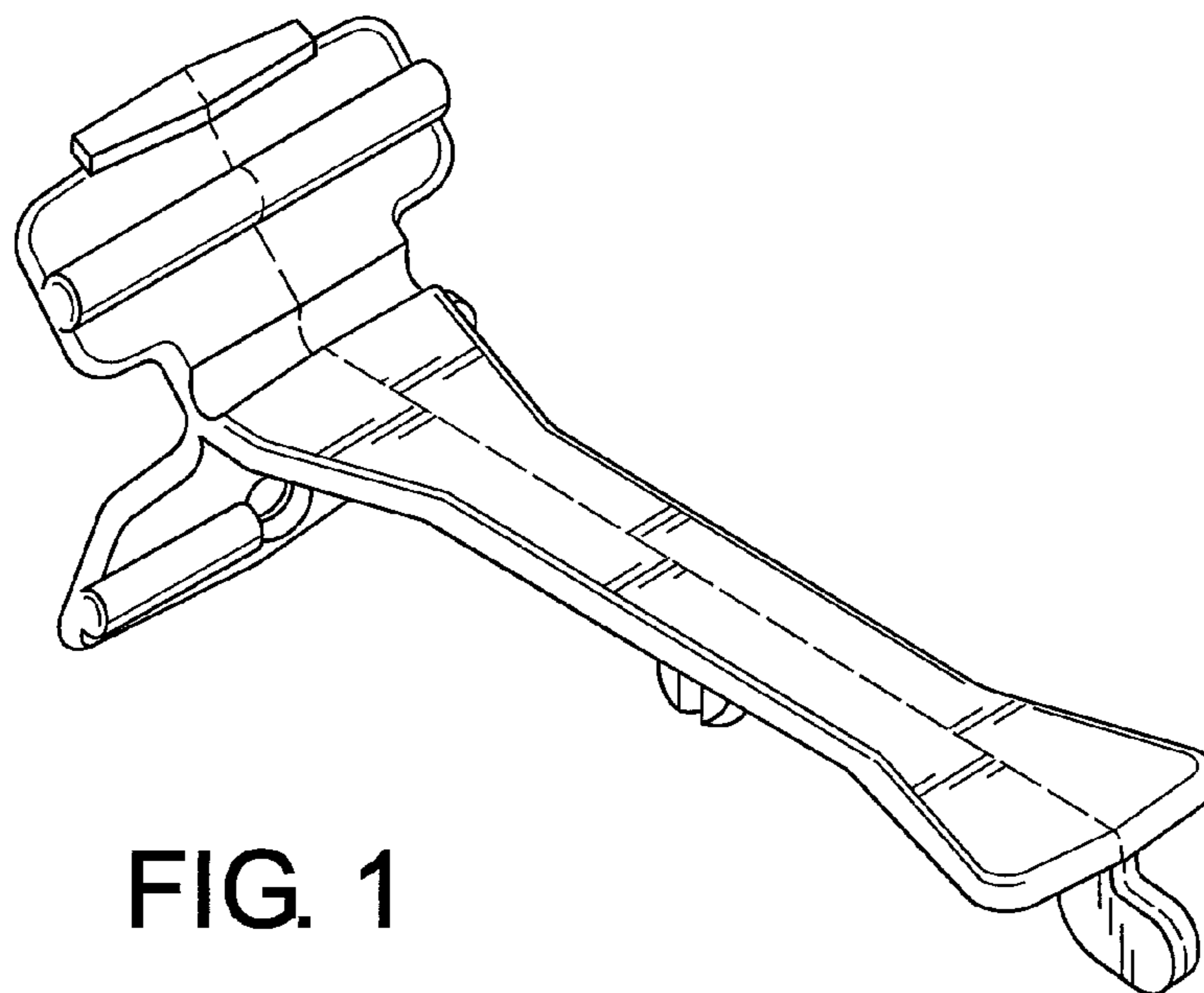


FIG. 1

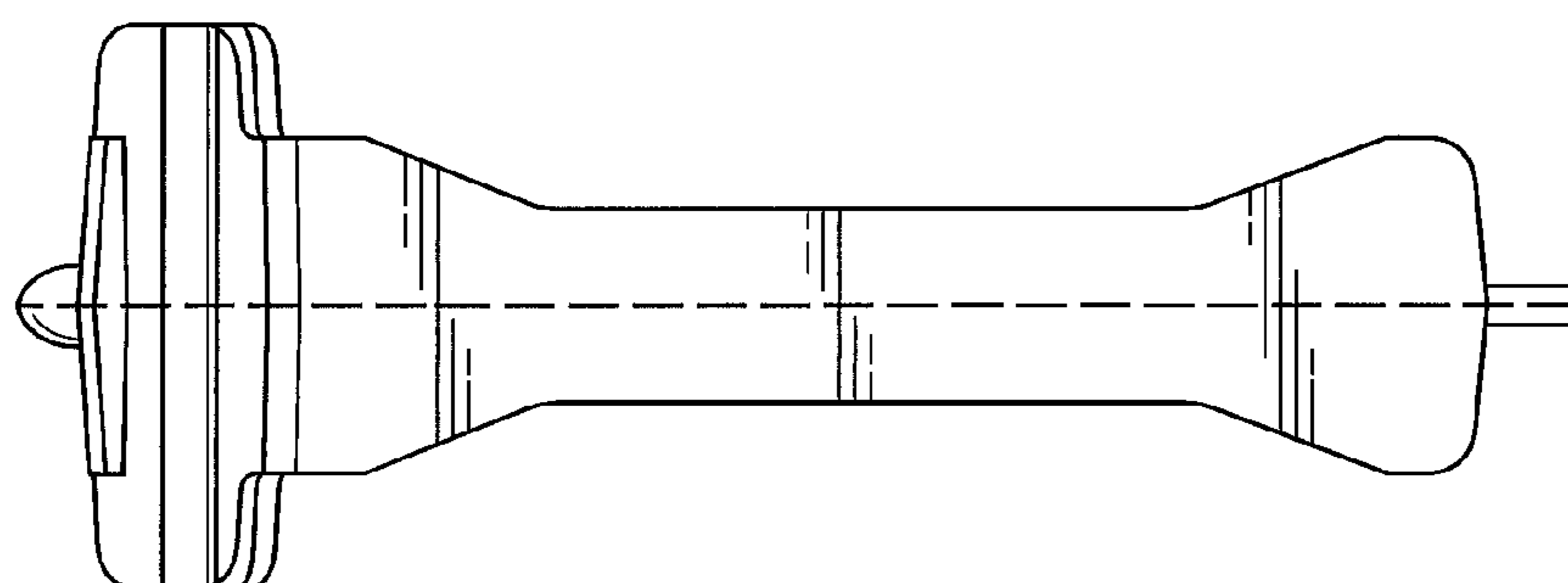


FIG. 3

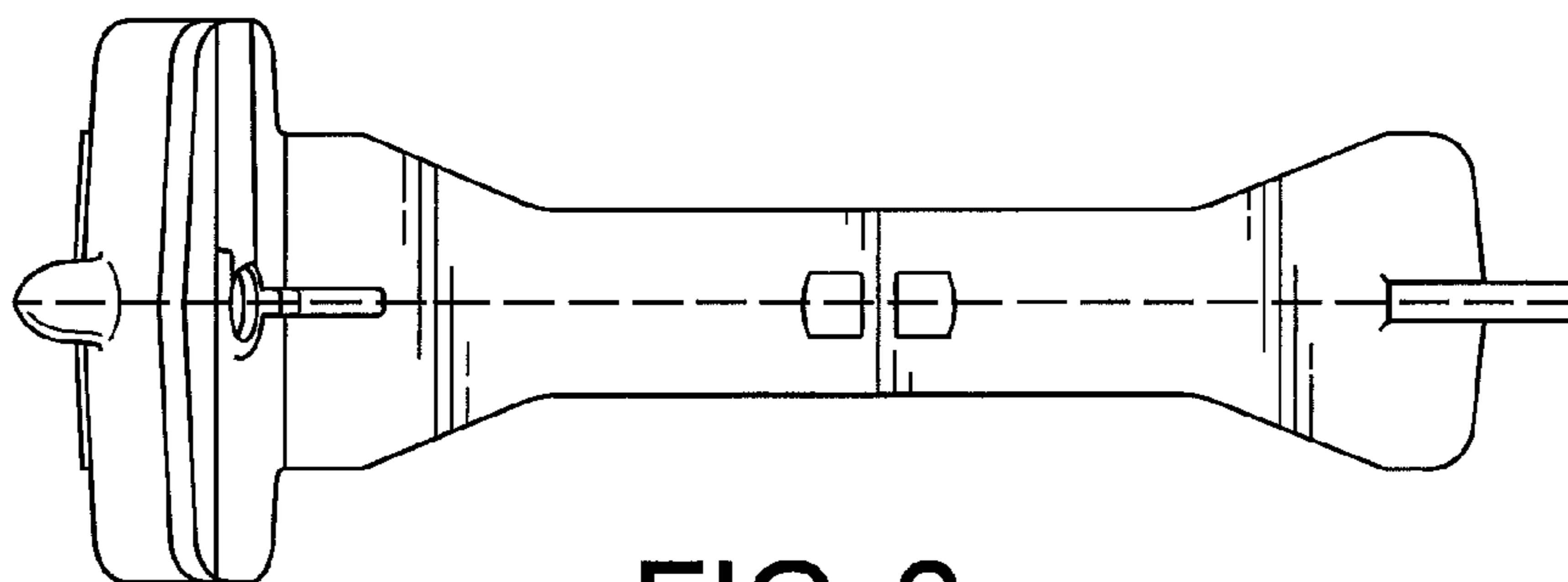


FIG. 2

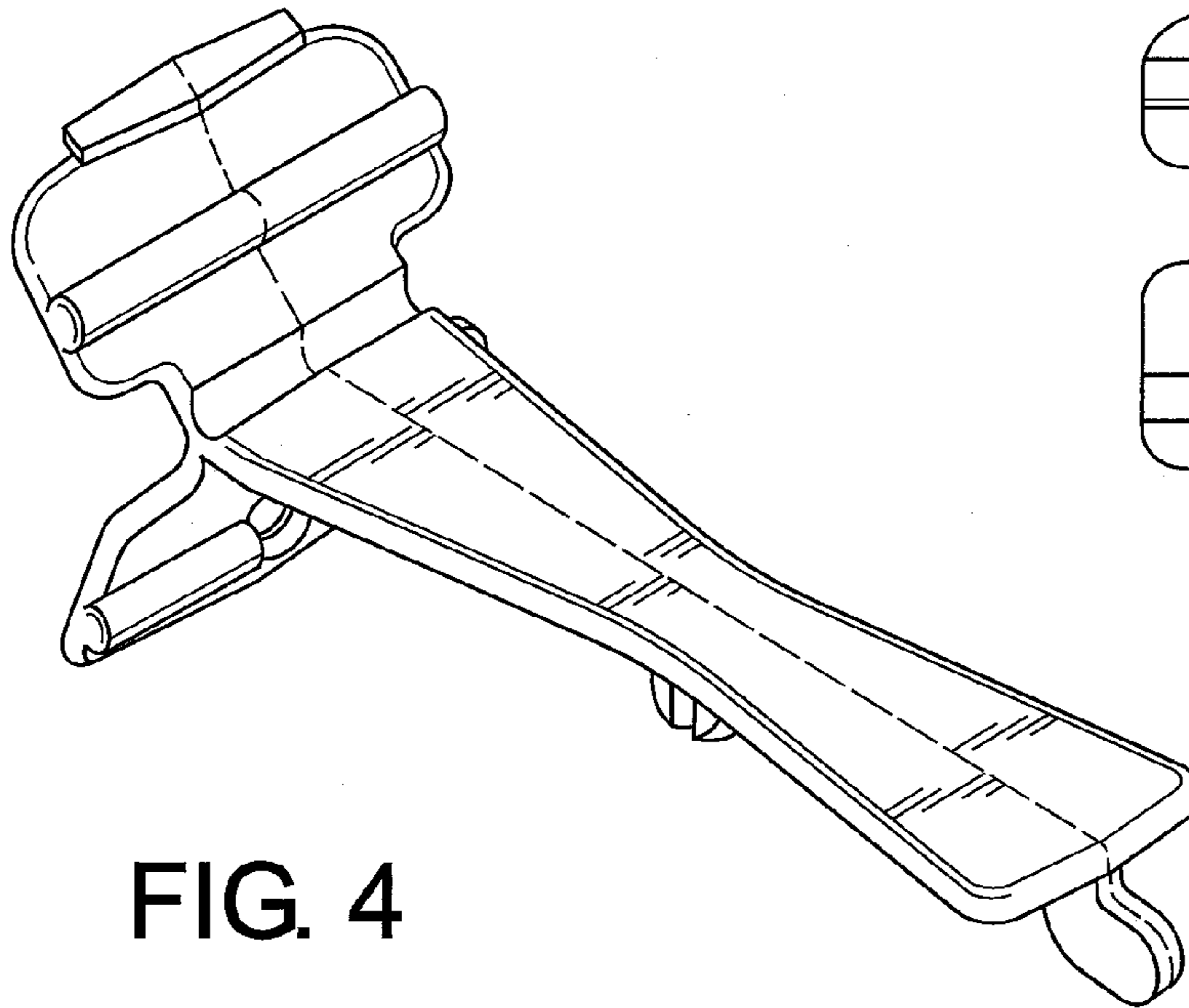


FIG. 4

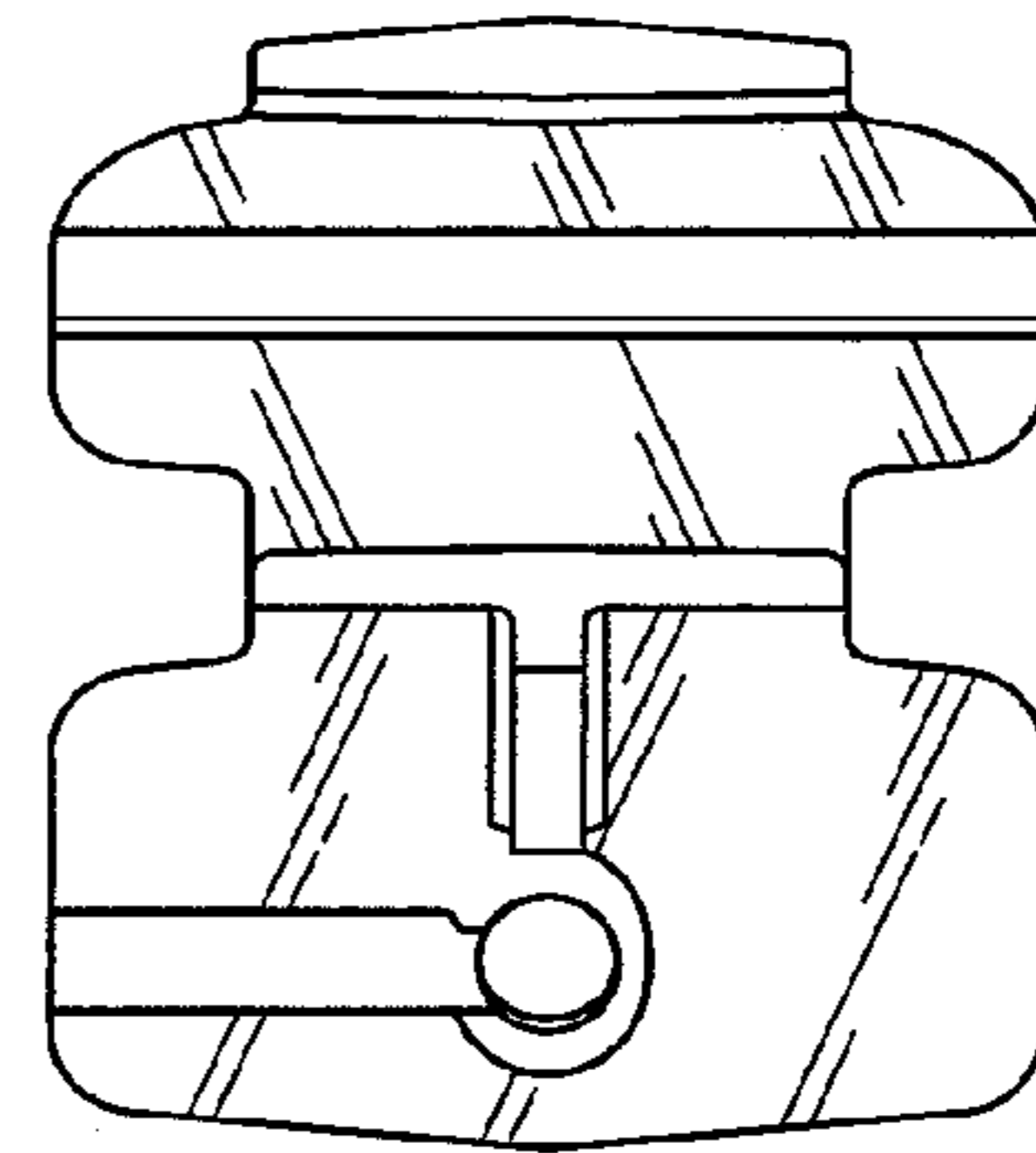


FIG. 5

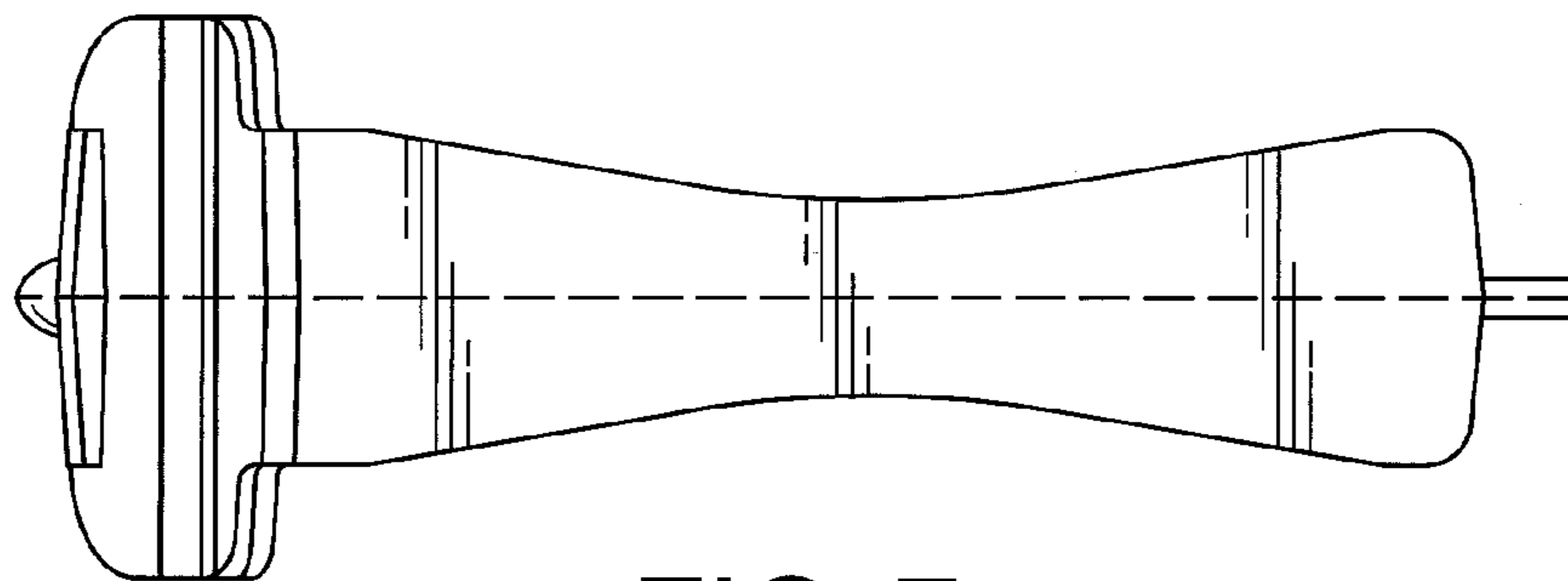


FIG. 7

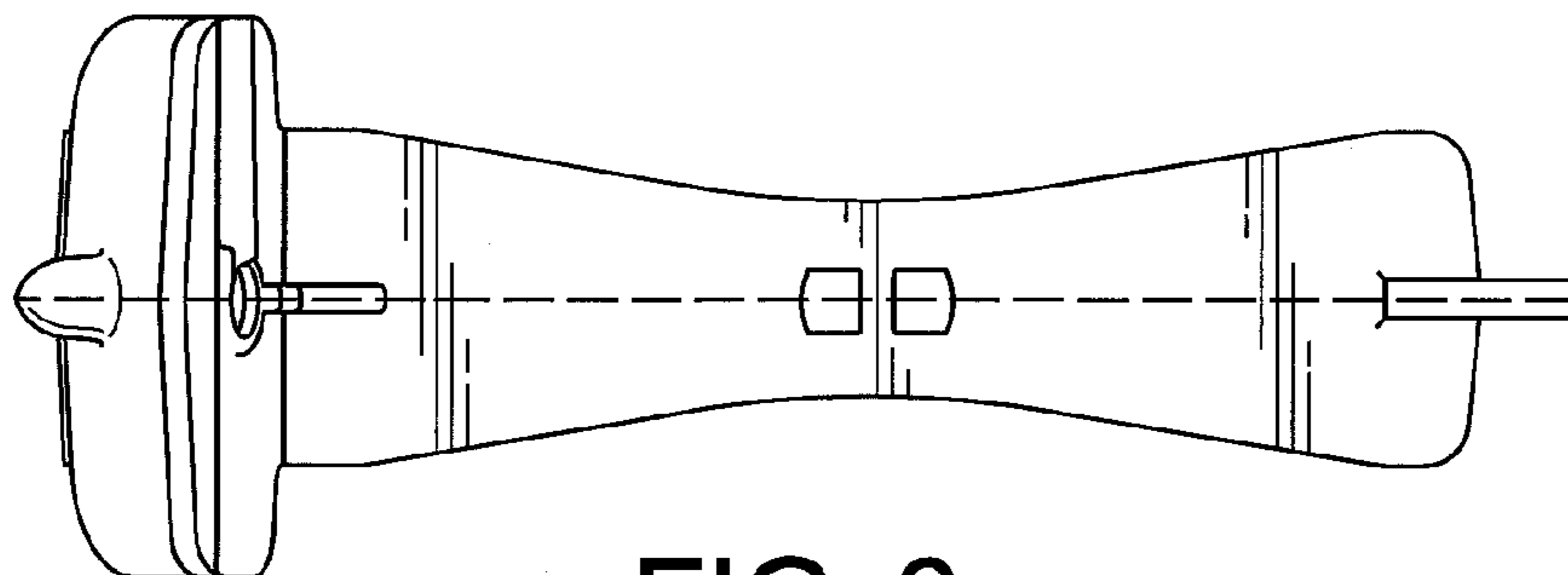


FIG. 6

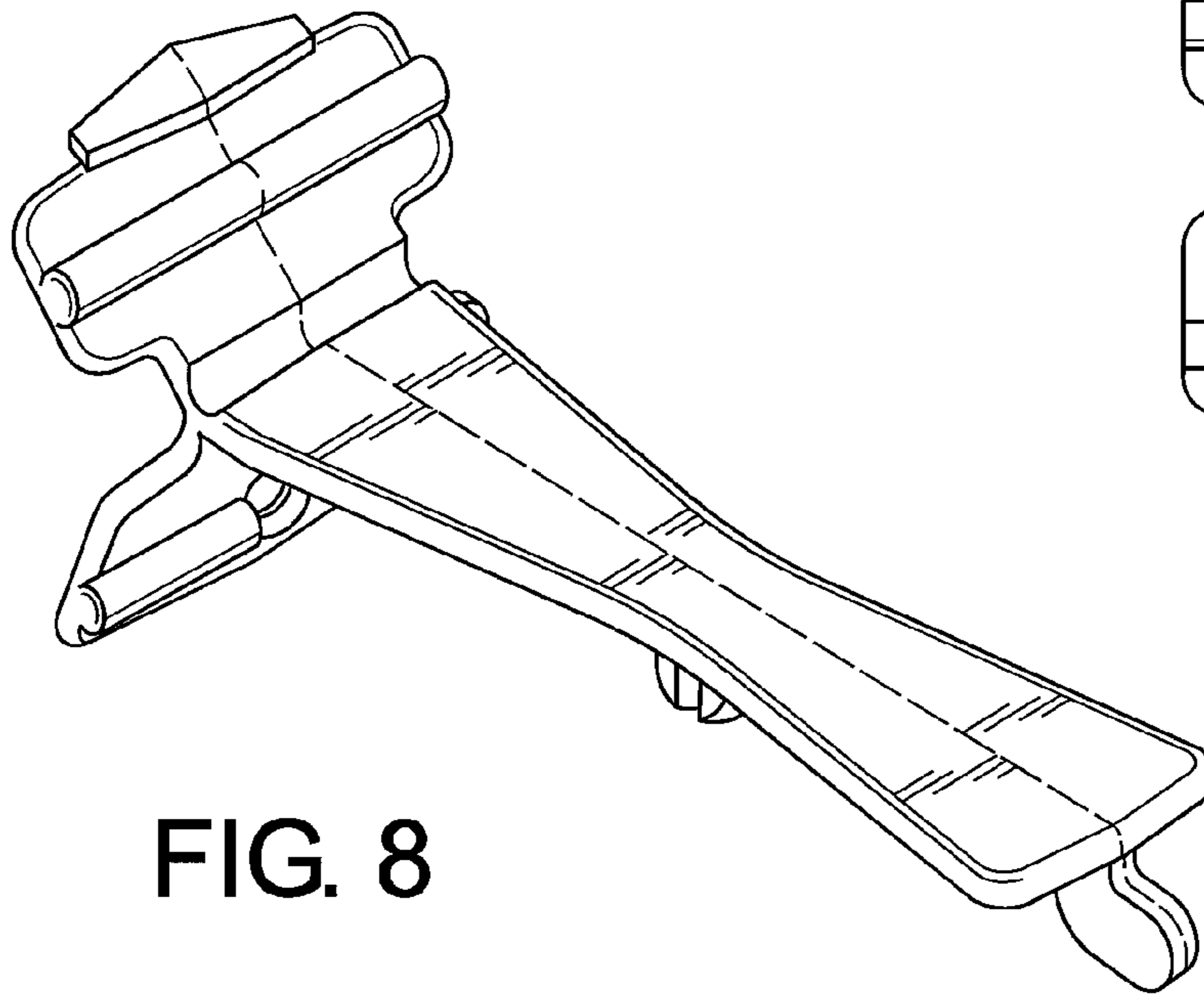


FIG. 8

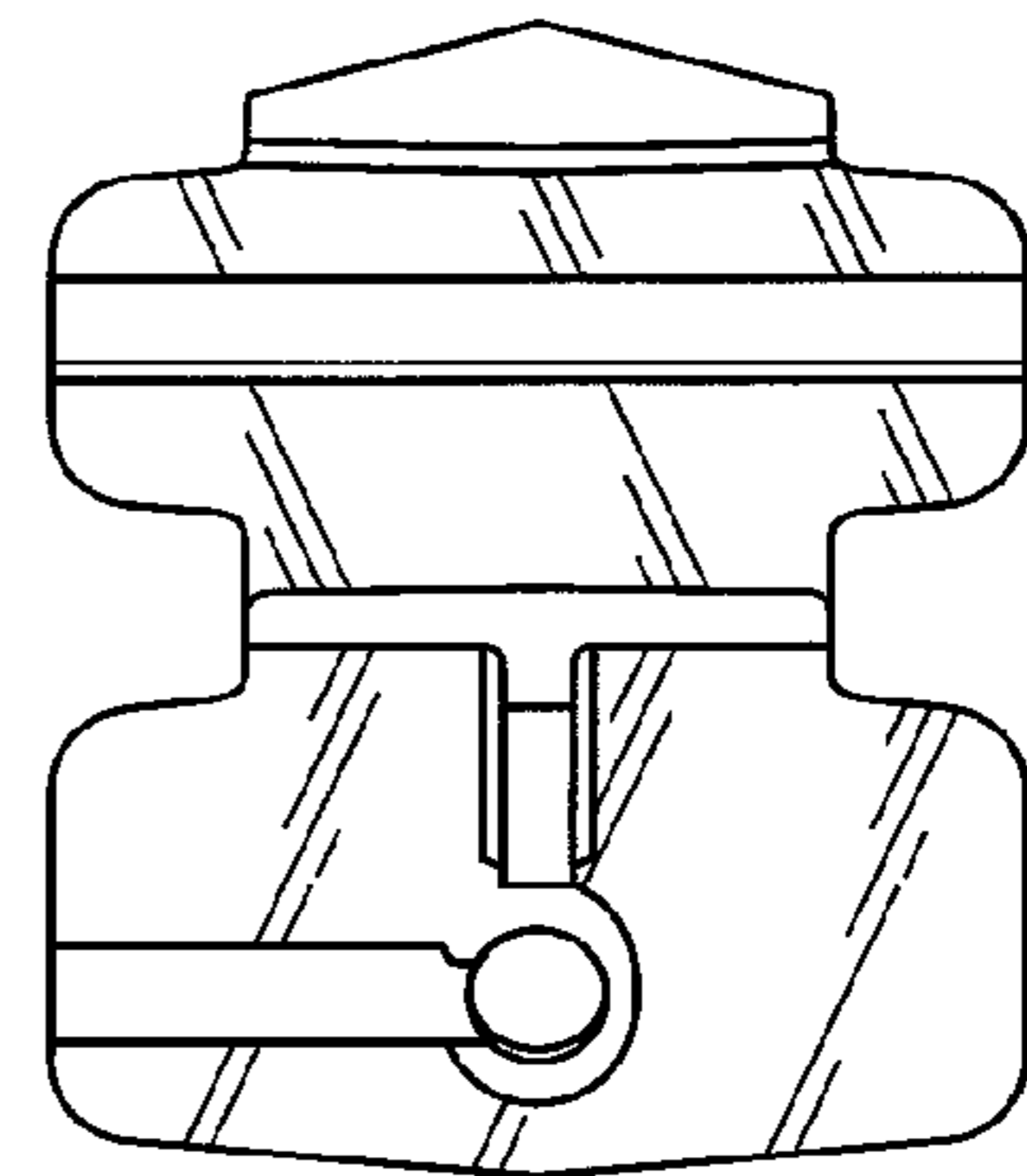


FIG. 9

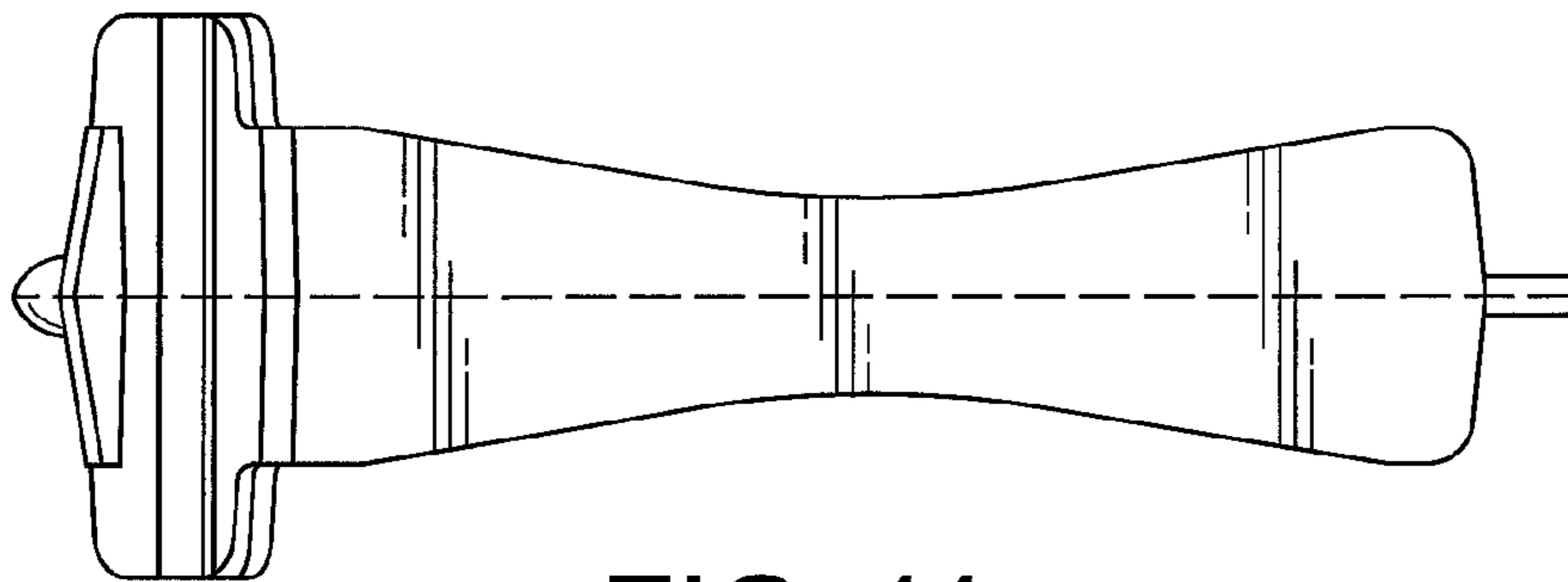


FIG. 11

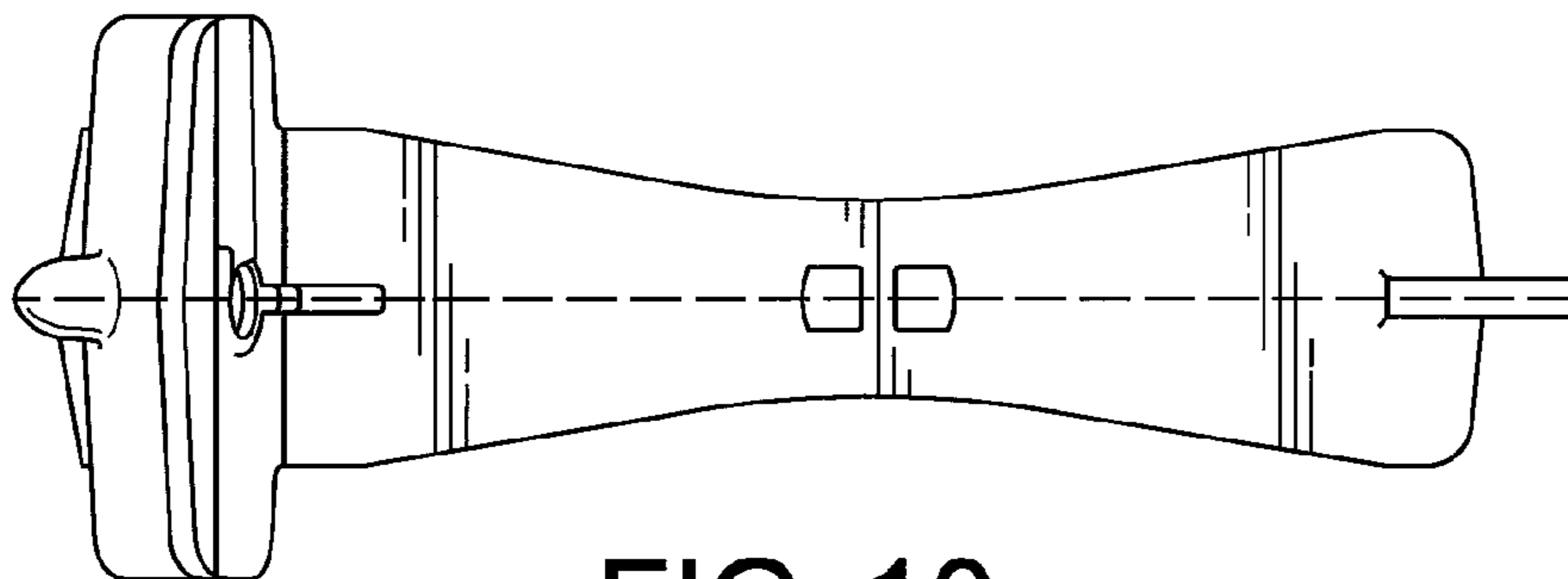


FIG. 10

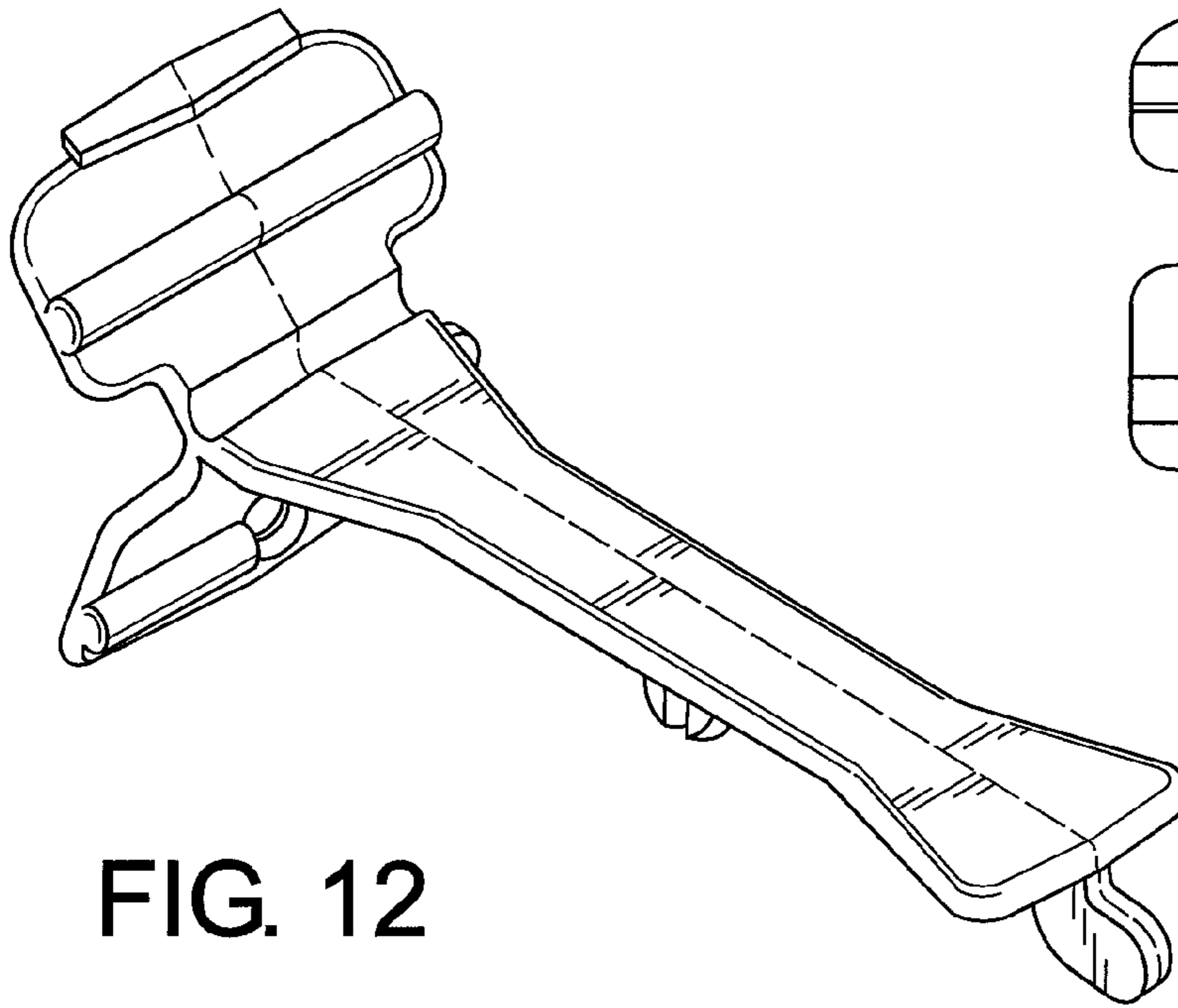


FIG. 12

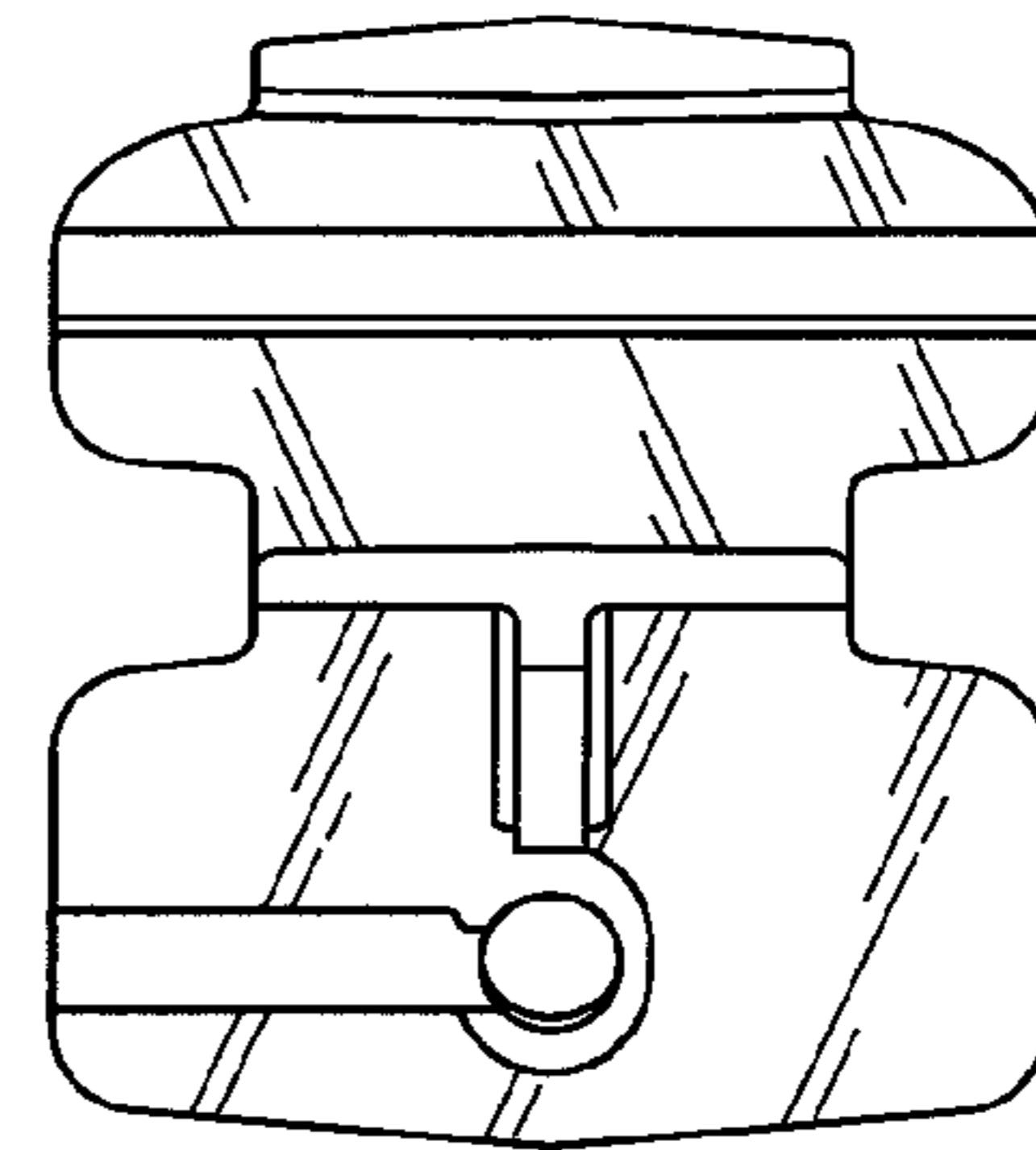


FIG. 13

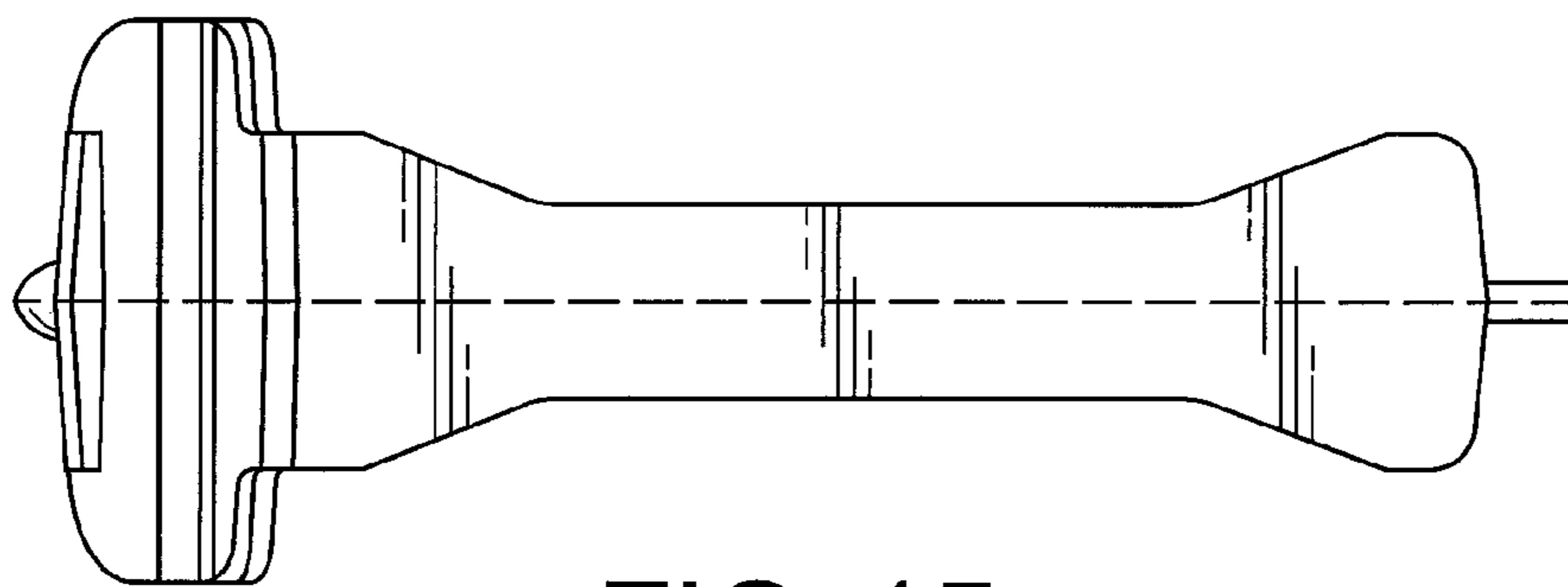


FIG. 15

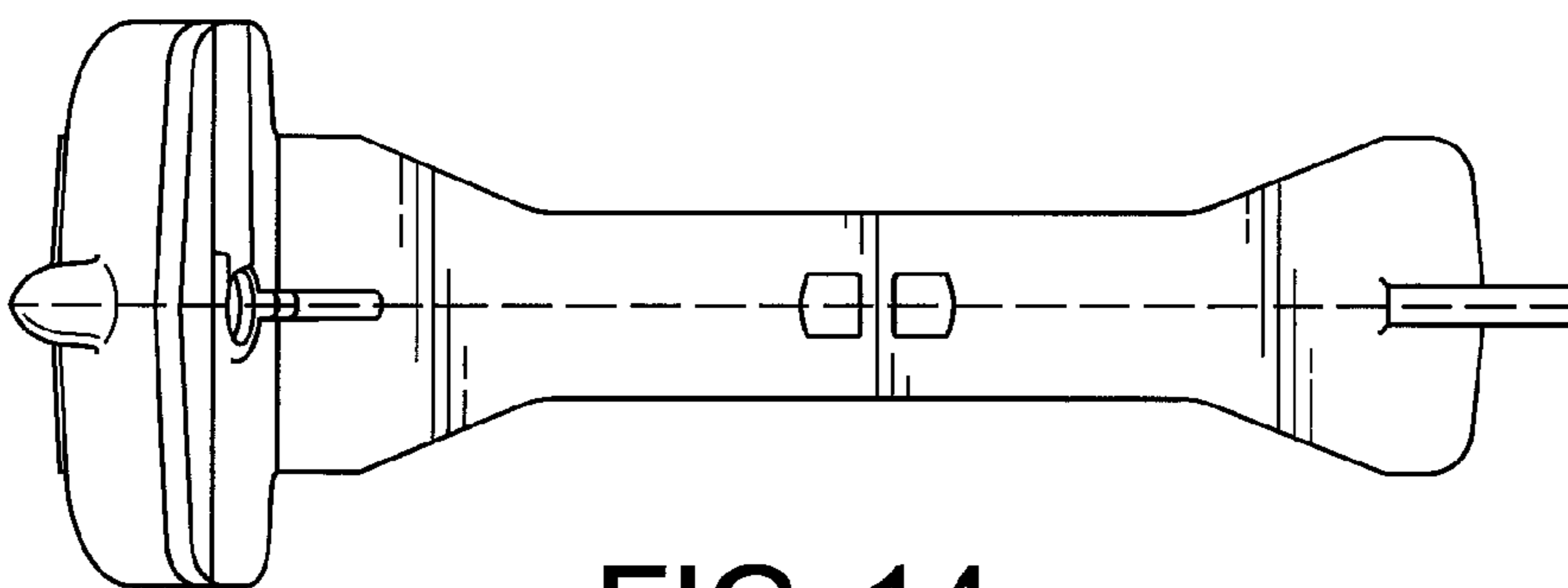


FIG. 14

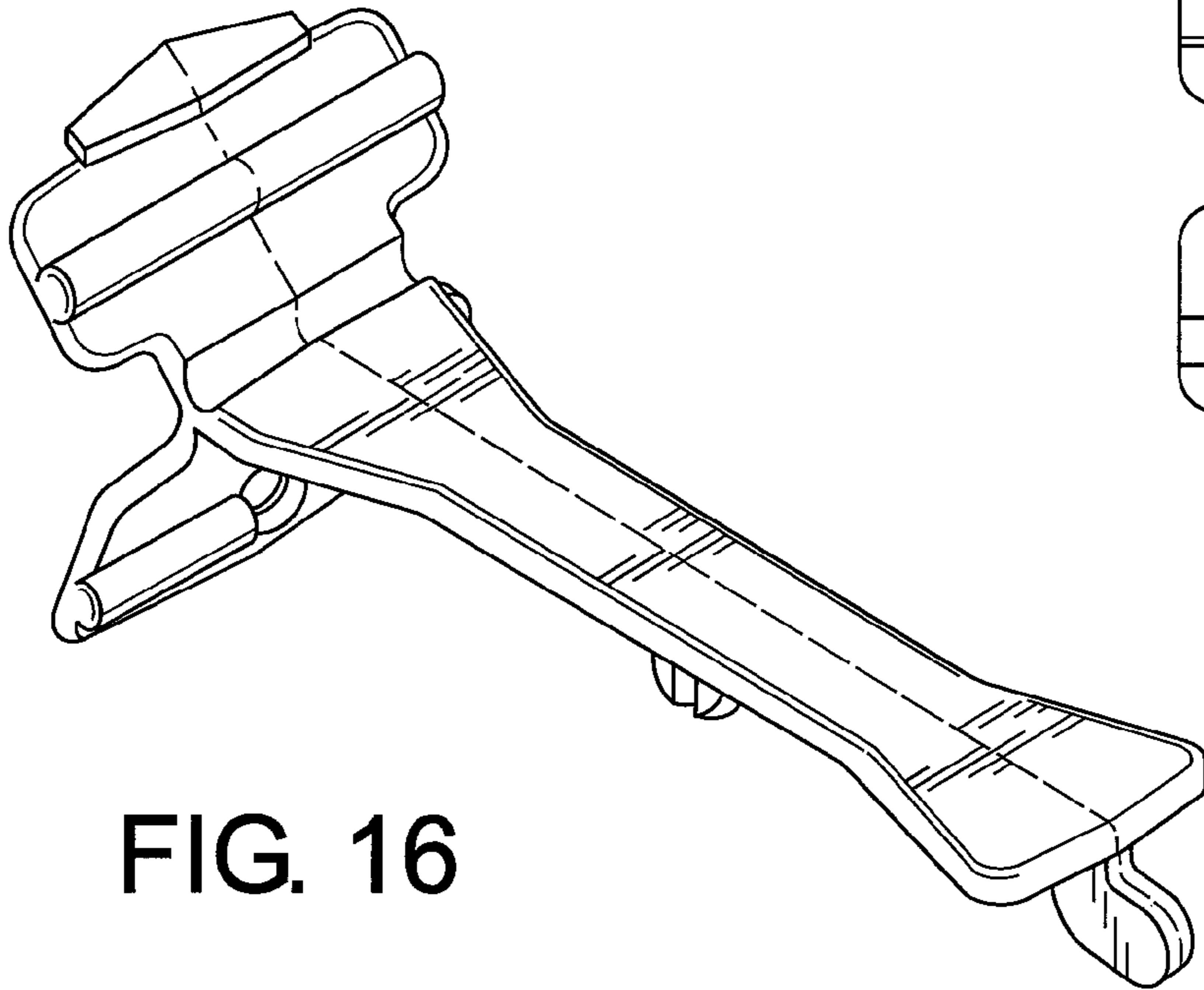


FIG. 16

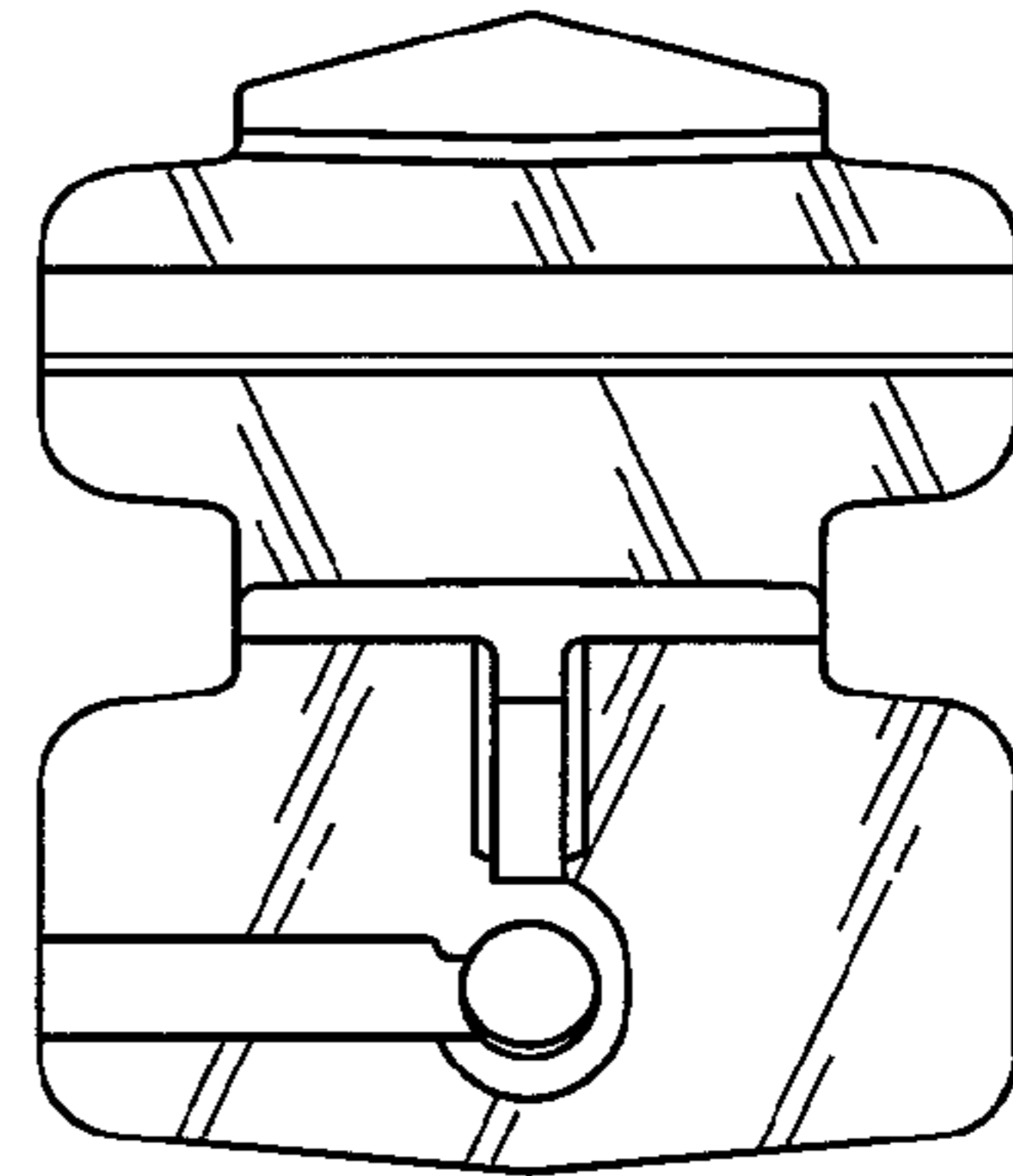


FIG. 17

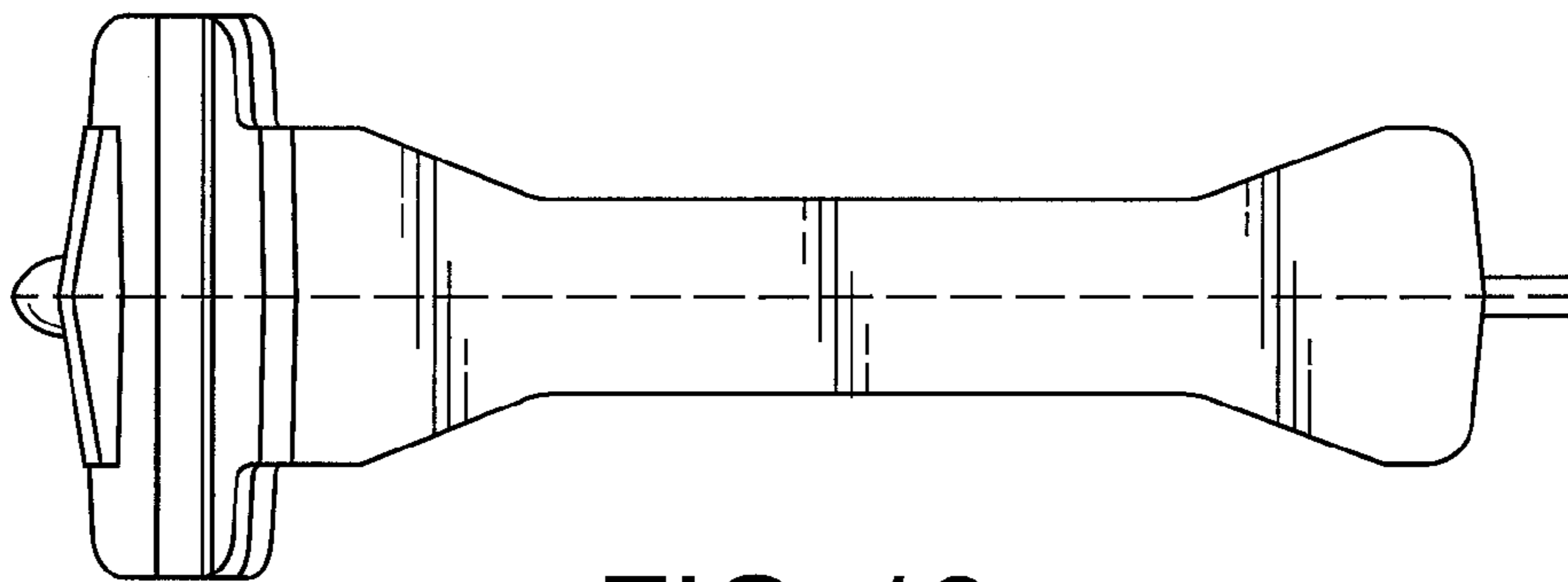


FIG. 19

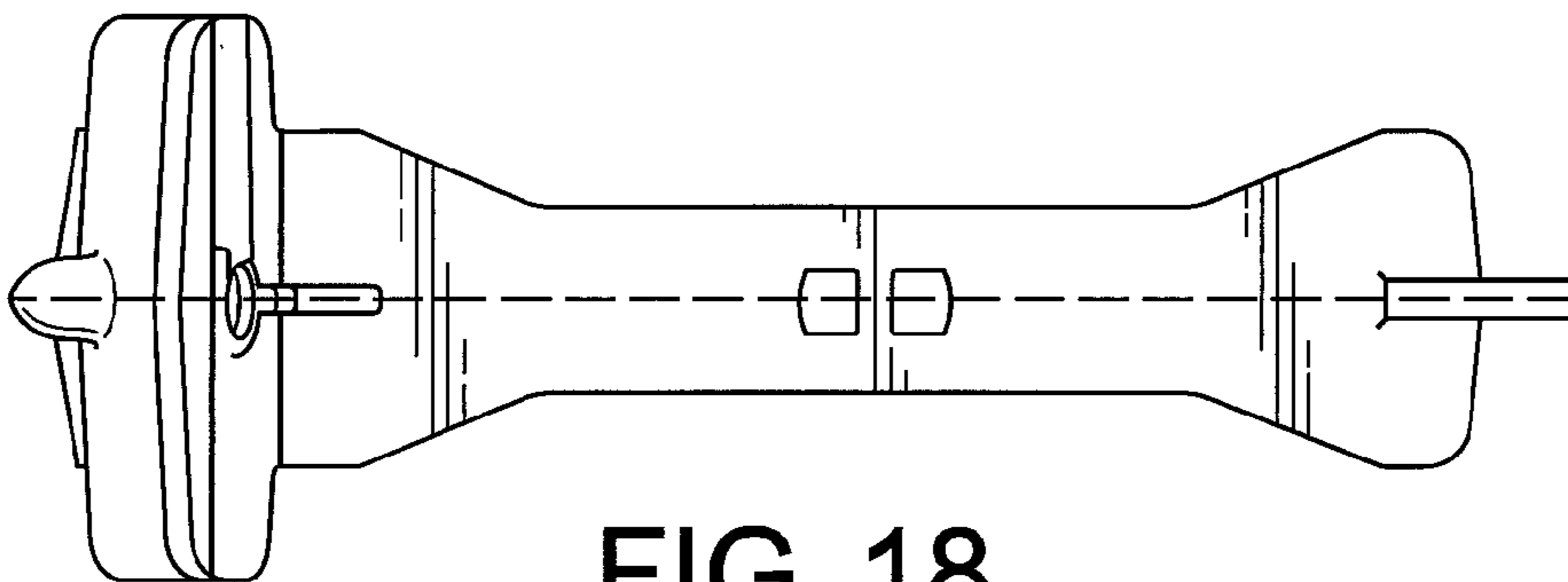


FIG. 18