



US00D677731S

(12) **United States Design Patent**
Stravitz

(10) **Patent No.:** **US D677,731 S**
(45) **Date of Patent:** **** Mar. 12, 2013**

(54) **LITERATURE RACK**

(75) Inventor: **David M. Stravitz**, New York, NY (US)

(73) Assignee: **Block and Company, Inc.**, Wheeling, IL (US)

(**) Term: **14 Years**

(21) Appl. No.: **29/414,975**

(22) Filed: **Mar. 6, 2012**

(51) **LOC (9) Cl.** **19-02**

(52) **U.S. Cl.** **D19/90**

(58) **Field of Classification Search** D6/553,
D6/569, 570; D19/75, 77, 78, 86, 90-92;
206/215, 425, 449; 211/10, 11, 45, 48, 50,
211/55, 87.01, 88.01, 128.1

See application file for complete search history.

(56) **References Cited**

U.S. PATENT DOCUMENTS

D46,314 S *	8/1914	Levy	D6/310
1,396,910 A *	11/1921	Annable	40/642.02
D176,292 S *	12/1955	Vernon	D19/78
D231,137 S *	4/1974	Jublin	D19/90
D256,529 S *	8/1980	Van Koert	D6/570
D258,511 S *	3/1981	Ashton	D19/90
5,036,988 A *	8/1991	Rouire	211/42
D341,621 S *	11/1993	Evenson	D19/34.1
D411,860 S *	7/1999	Stravitz	D19/75
D432,171 S *	10/2000	Stravitz	D19/90
D444,657 S *	7/2001	Weber	D6/570

D454,746 S *	3/2002	Grant	D6/570
D478,355 S *	8/2003	Chen	D19/90
D489,175 S *	5/2004	Gaita	D3/228
D497,756 S *	11/2004	Chen et al.	D6/570
D502,220 S *	2/2005	Stravitz	D19/90
D502,221 S *	2/2005	Chen et al.	D19/90
D550,284 S *	9/2007	Goodman et al.	D19/90

* cited by examiner

Primary Examiner — Elizabeth Albert

(74) *Attorney, Agent, or Firm* — Holtz, Holtz, Goodman & Chick, PC

(57) **CLAIM**

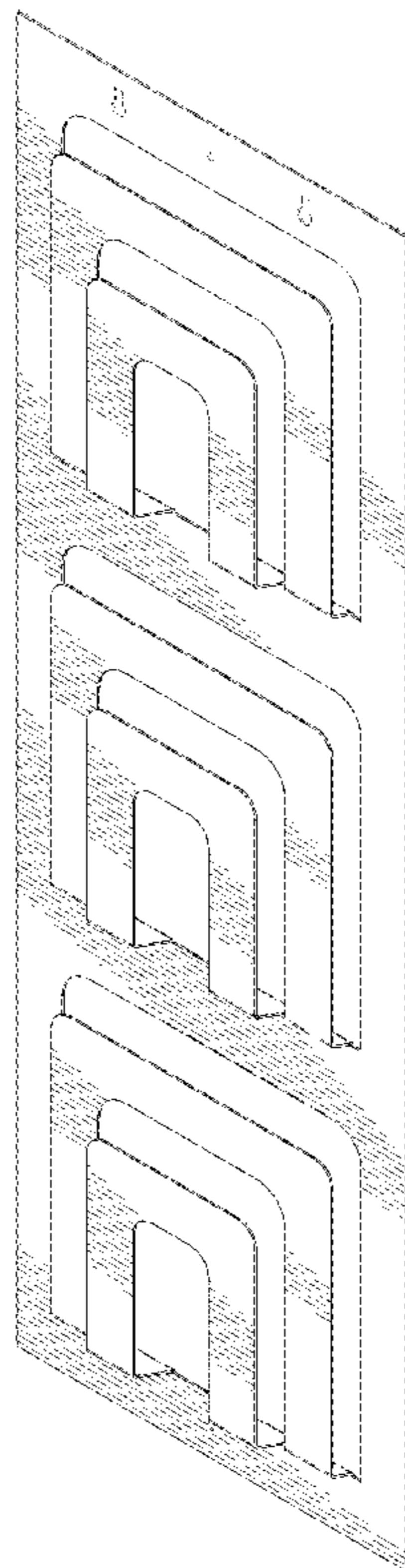
The ornamental design for a literature rack, as shown and described.

DESCRIPTION

FIG. 1 is a front, right side, top perspective view of a literature rack showing my new design;
FIG. 2 is a front elevational view thereof;
FIG. 3 is a rear elevational view thereof;
FIG. 4 is a right side view thereof;
FIG. 5 is a left side view thereof;
FIG. 6 is a top plan view thereof; and,
FIG. 7 is a bottom plan view thereof.

The broken lines in the drawings are included for the purpose of showing portions of the literature rack that form no part of the claimed design.

1 Claim, 5 Drawing Sheets



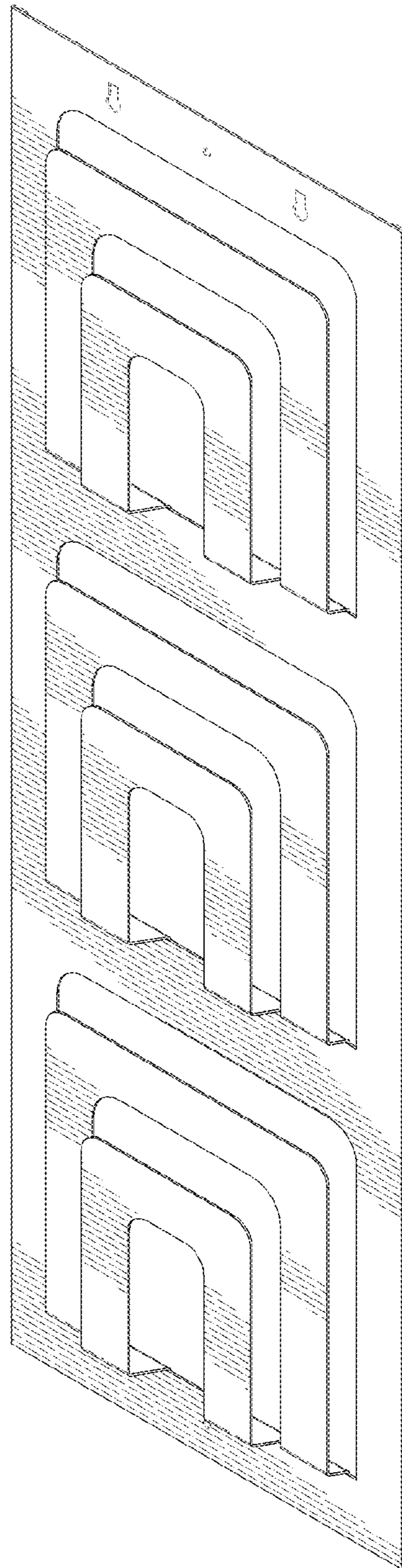


FIG. 1

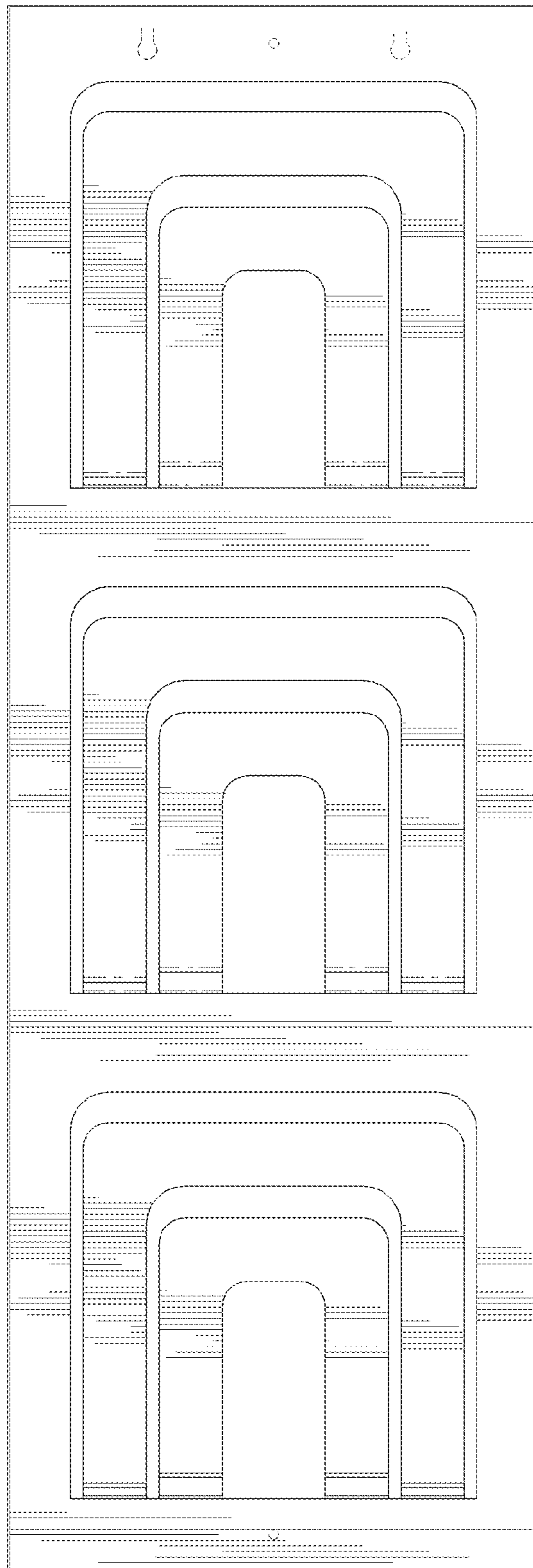


FIG. 2

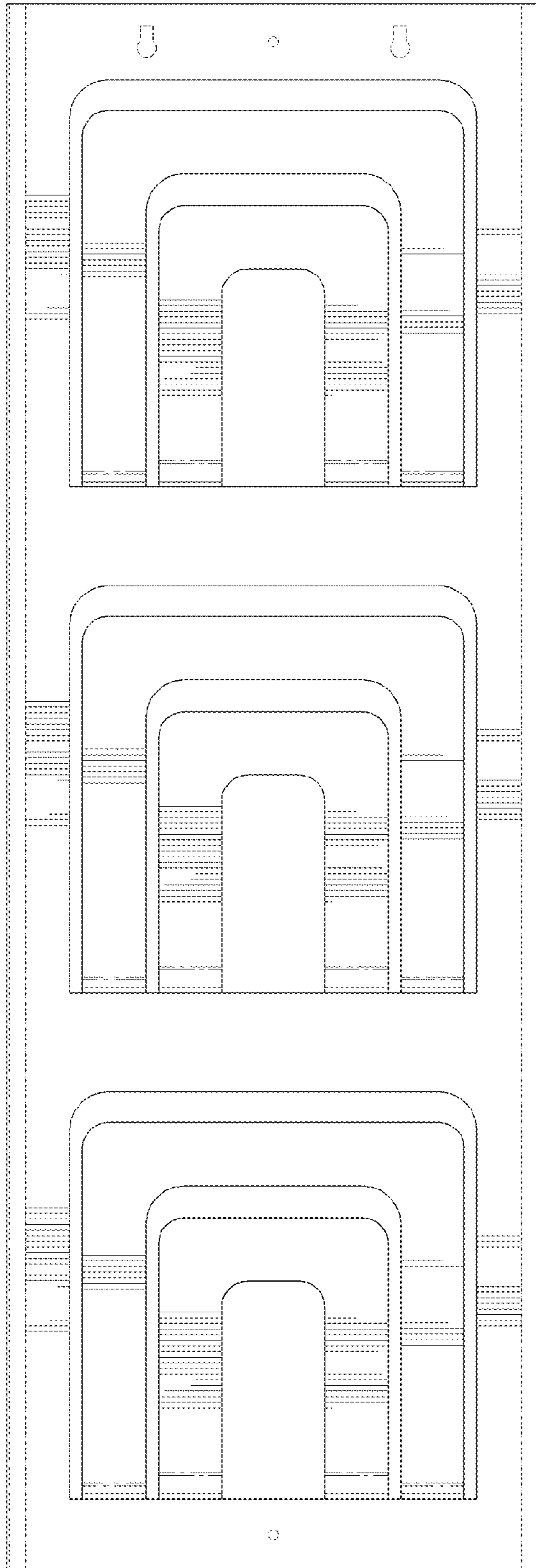


FIG. 3

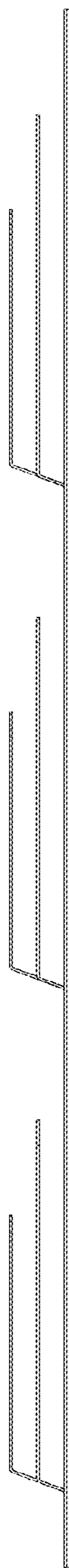


FIG. 4

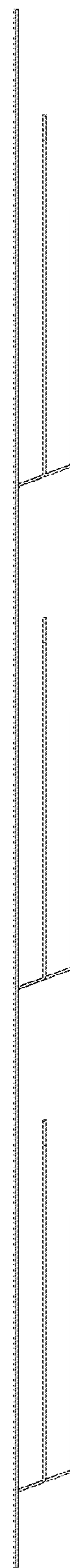


FIG. 5

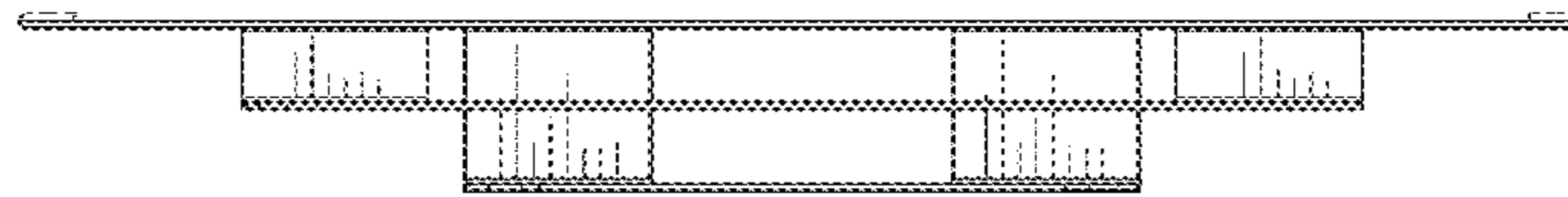


FIG. 6

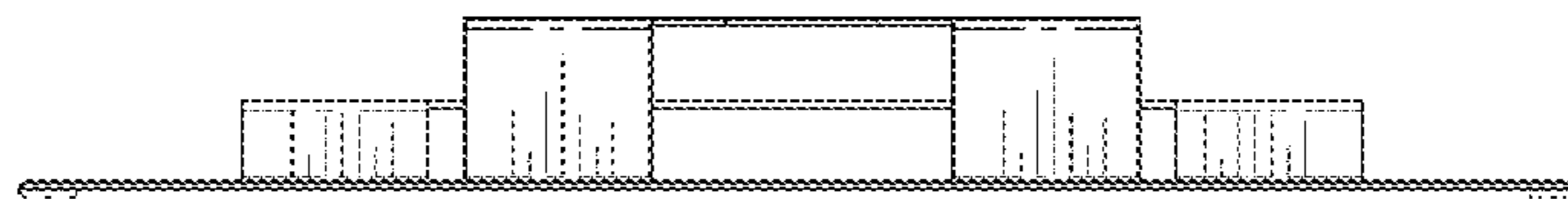


FIG. 7