



US00D677730S

(12) **United States Design Patent**
Yu Chen

(10) **Patent No.:** **US D677,730 S**
(45) **Date of Patent:** **** Mar. 12, 2013**

(54) **ADHESIVE-TAPE WHEEL**

(76) Inventor: **Hsiu-Man Yu Chen**, Taichung (TW)

(**) Term: **14 Years**

(21) Appl. No.: **29/431,436**

(22) Filed: **Sep. 7, 2012**

(51) **LOC (9) Cl.** **19-02**

(52) **U.S. Cl.** **D19/69**

(58) **Field of Classification Search** D19/70,
D19/69, 36, 68; 242/588.6, 588.2; 225/77,
225/6, 56, 39, 26, 25, 19, 11; 206/411; 156/577,
156/527, 523; D8/354, 382, 385, 499
See application file for complete search history.

(56) **References Cited**

U.S. PATENT DOCUMENTS

4,068,808	A *	1/1978	King	242/118.4
D261,357	S *	10/1981	Doonan	D8/499
D264,429	S *	5/1982	Foscarini et al.	D8/385
4,428,546	A *	1/1984	Weideman	242/578.1
4,726,538	A *	2/1988	Kovacik et al.	242/376
D298,839	S *	12/1988	Soderberg et al.	D19/69
4,867,391	A *	9/1989	Resch	242/118.5
5,103,528	A *	4/1992	Olson et al.	16/2.2
5,261,920	A *	11/1993	Main et al.	606/153
D379,474	S *	5/1997	Packard	D19/69

6,027,068	A *	2/2000	Lantsman	242/564.4
6,241,181	B1 *	6/2001	Campbell	242/578
D498,131	S *	11/2004	Peacock et al.	D8/331
D504,312	S *	4/2005	Peacock	D8/382
D517,900	S *	3/2006	Goldenberg et al.	D8/354
D557,409	S *	12/2007	Veliss et al.	D24/110.1
7,819,357	B2 *	10/2010	Fox et al.	242/573.9
7,942,580	B2 *	5/2011	Audart-Noel et al.	384/222
D657,232	S *	4/2012	Stahl et al.	D8/354
2003/0049093	A1 *	3/2003	Ritter et al.	411/21

* cited by examiner

Primary Examiner — Austin Murphy

(74) *Attorney, Agent, or Firm* — Ming Chow; Sinorica, LLC

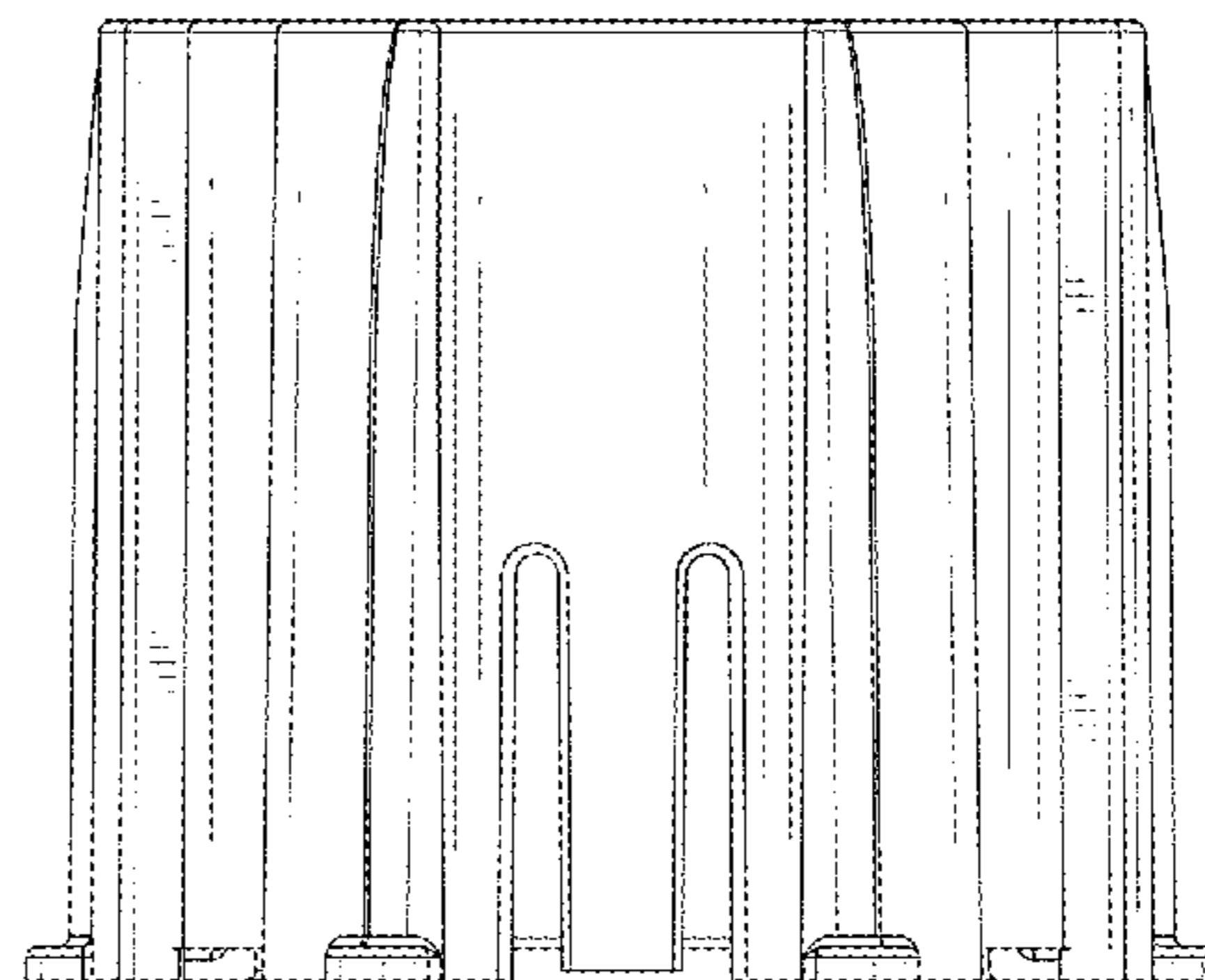
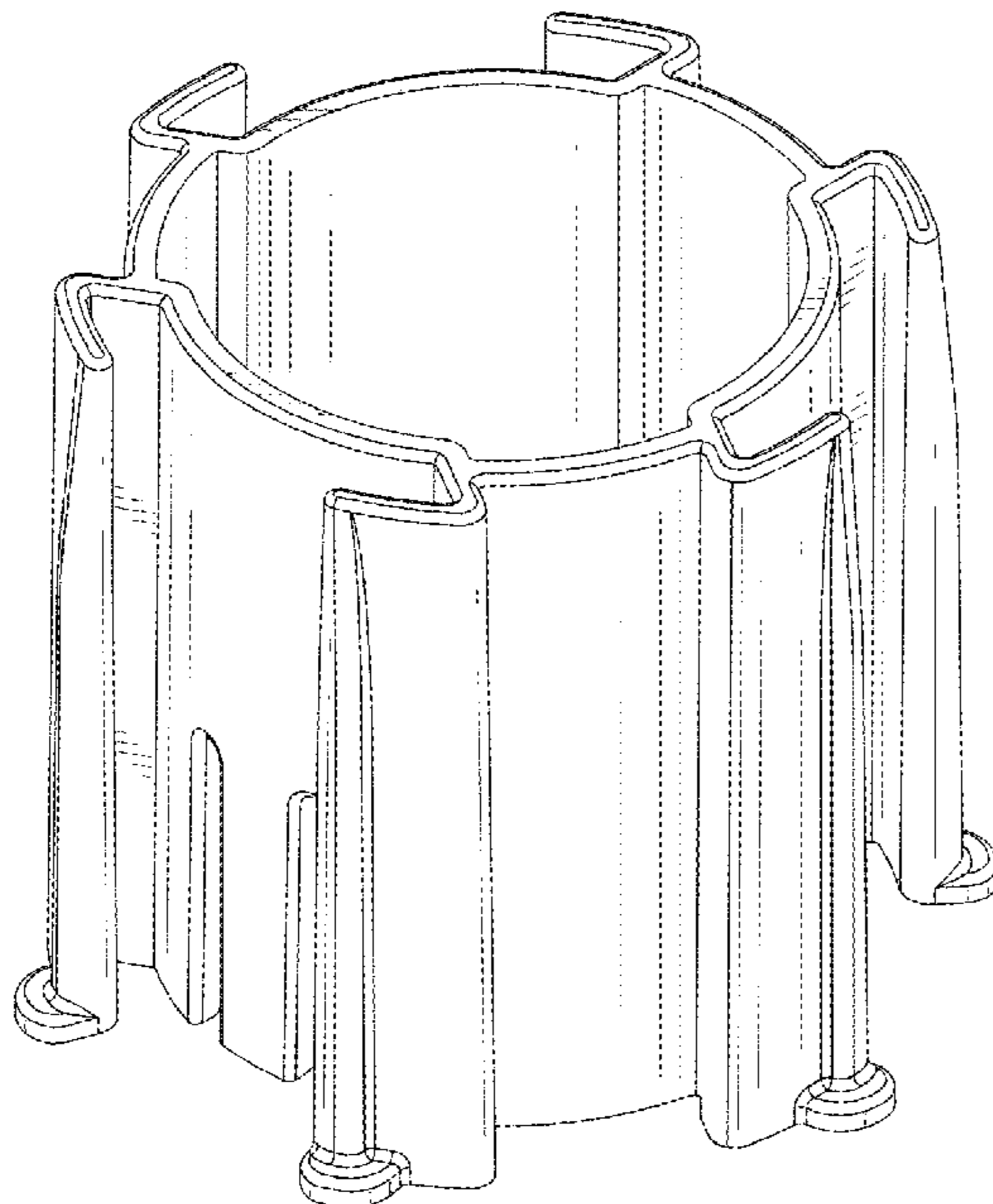
(57) **CLAIM**

I claim the ornamental design for an adhesive-tape wheel, as shown and described.

DESCRIPTION

FIG. 1 is a front perspective view of an adhesive-tape wheel showing my new design;
FIG. 2 is a front elevational view thereof;
FIG. 3 is a rear elevational view thereof;
FIG. 4 is a left side elevational view thereof;
FIG. 5 is a right side elevational view thereof;
FIG. 6 is a top plan view thereof; and,
FIG. 7 is a bottom plan view thereof.

1 Claim, 4 Drawing Sheets



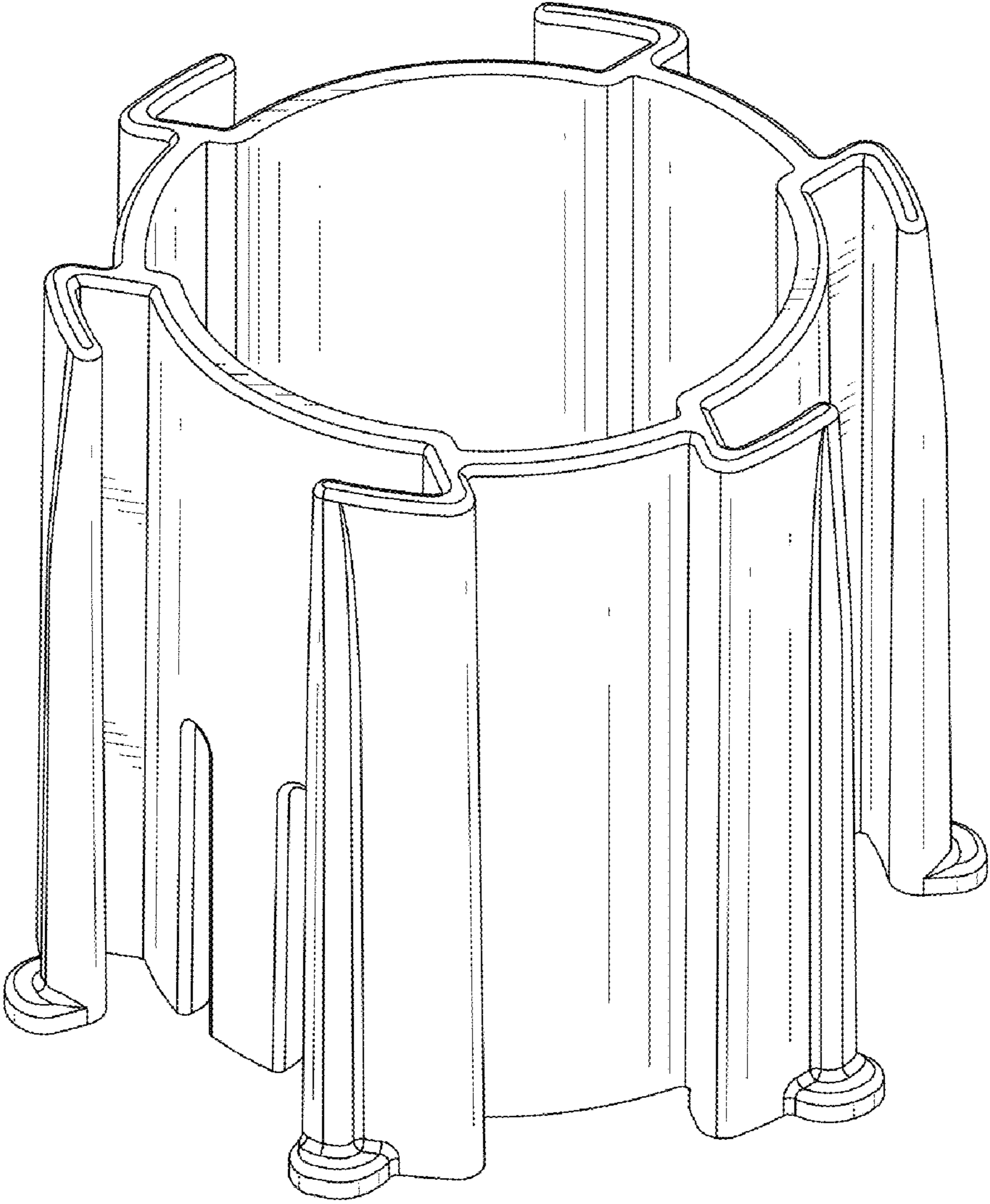


FIG. 1

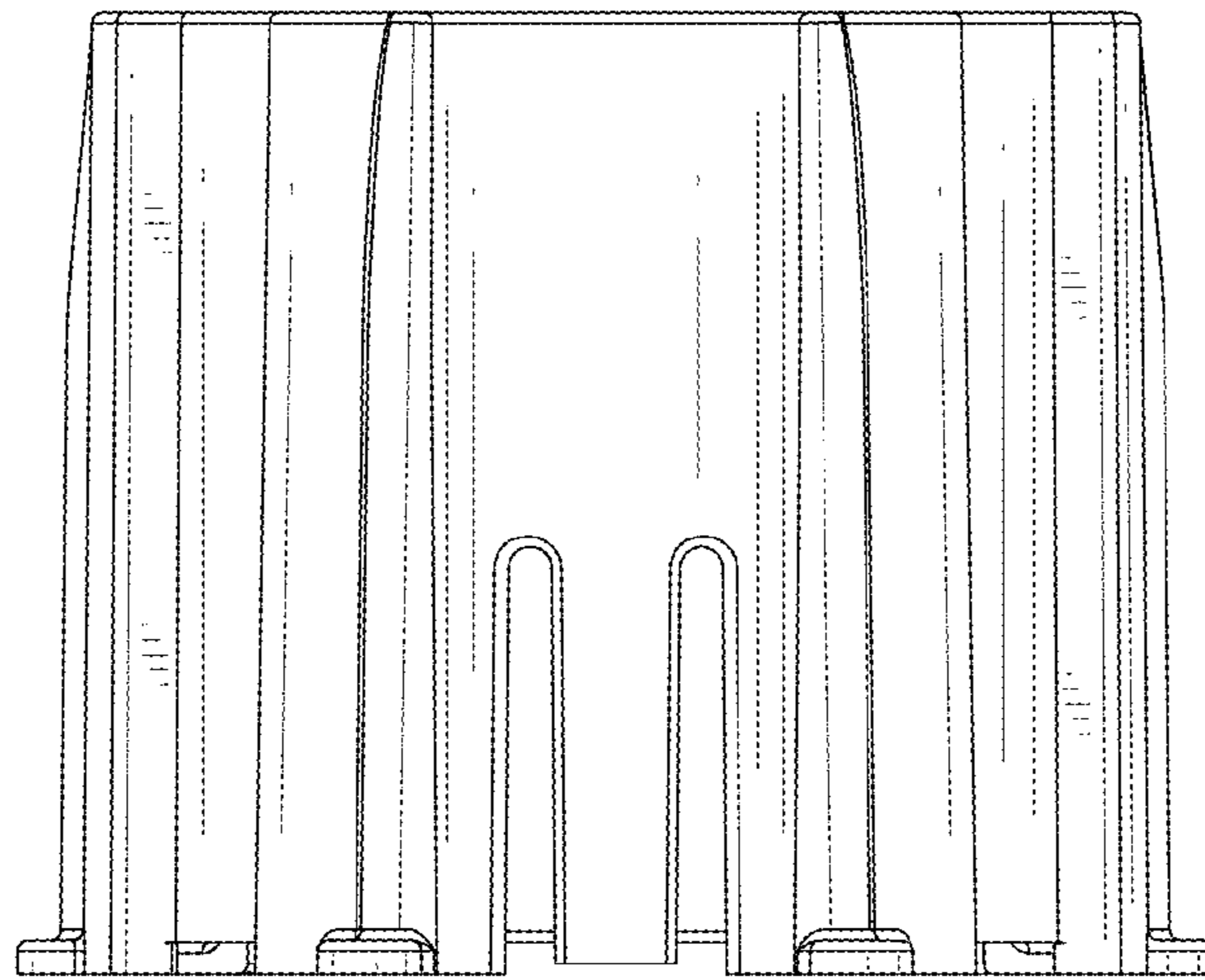


FIG. 2

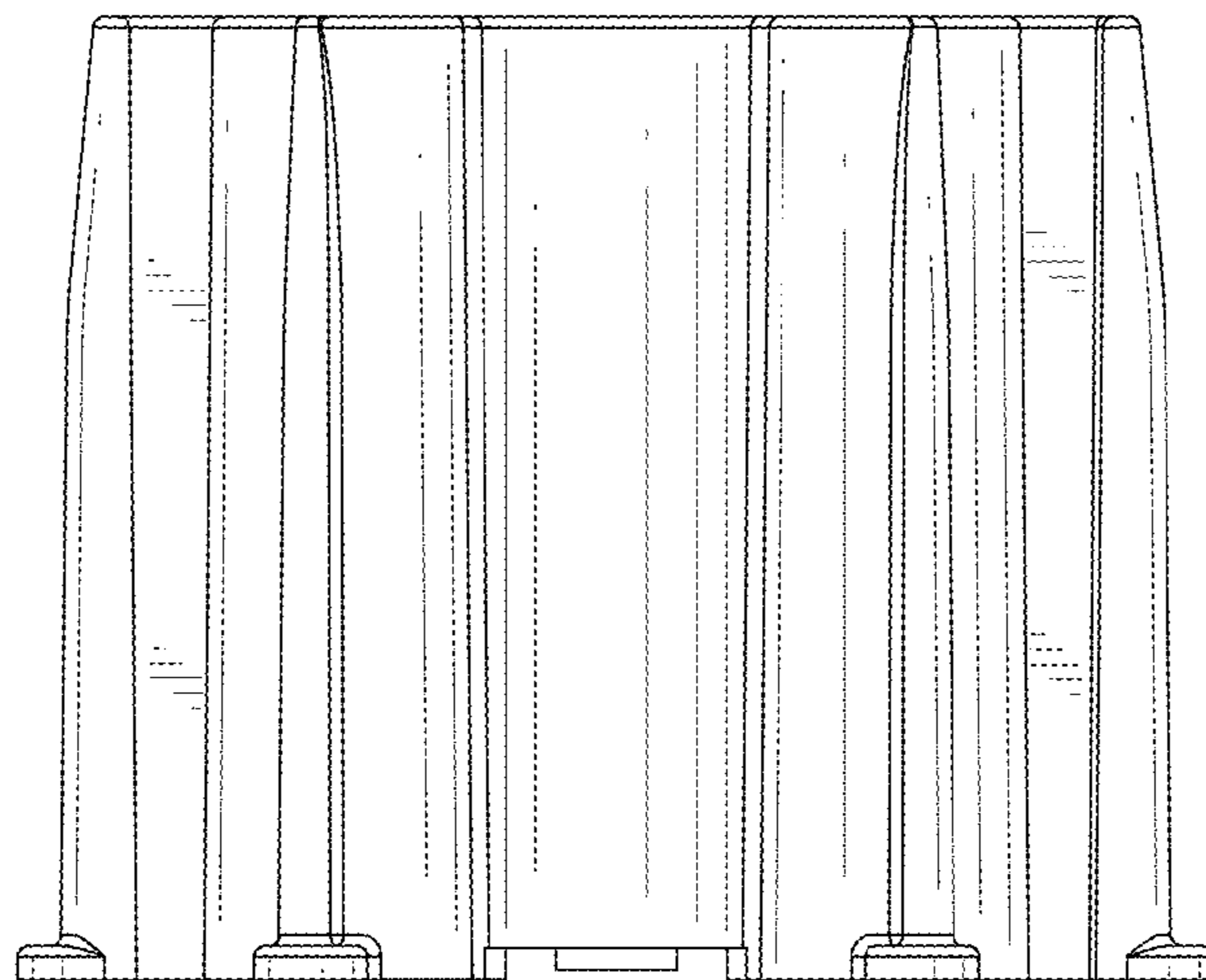


FIG. 3

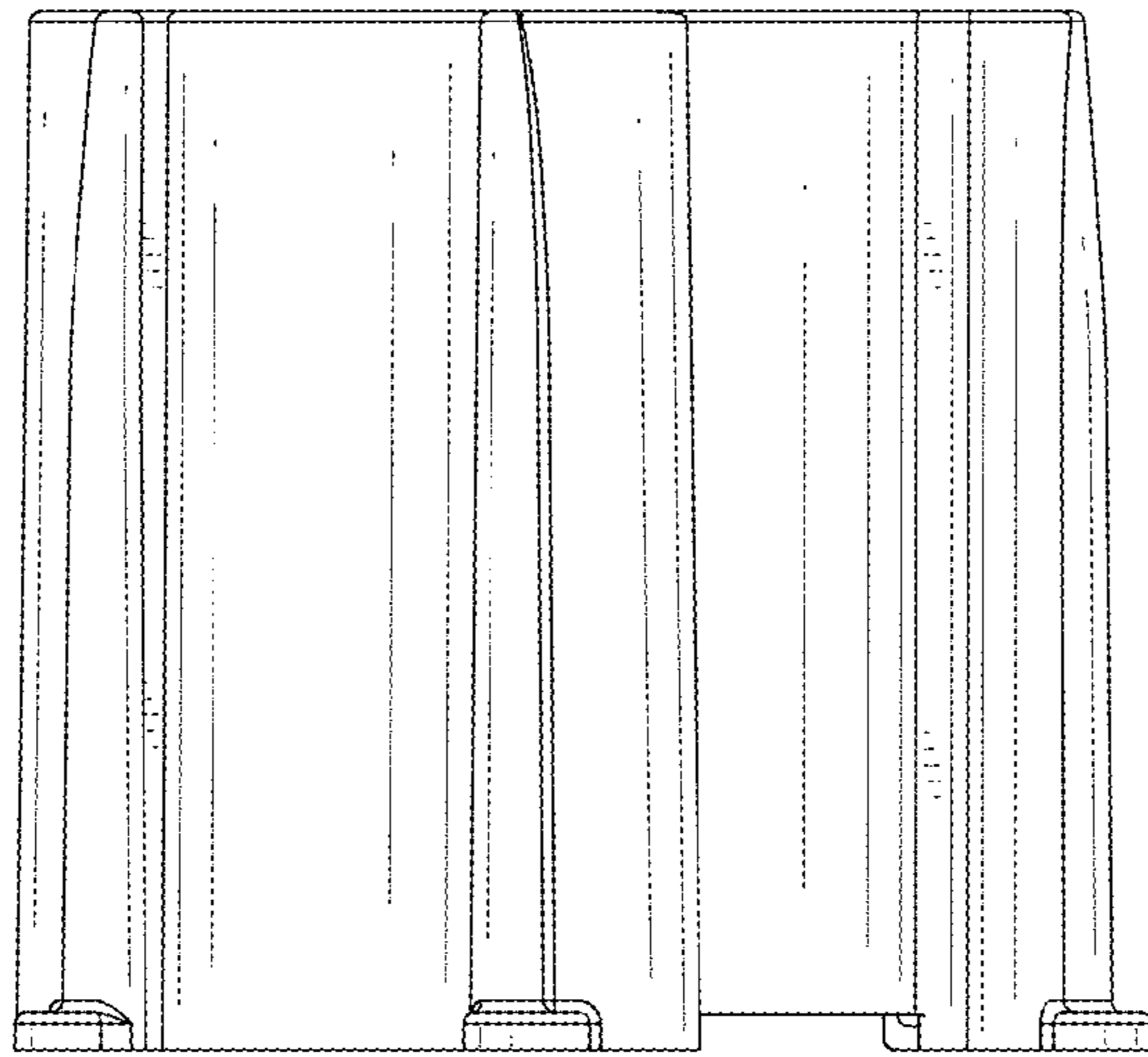


FIG. 4

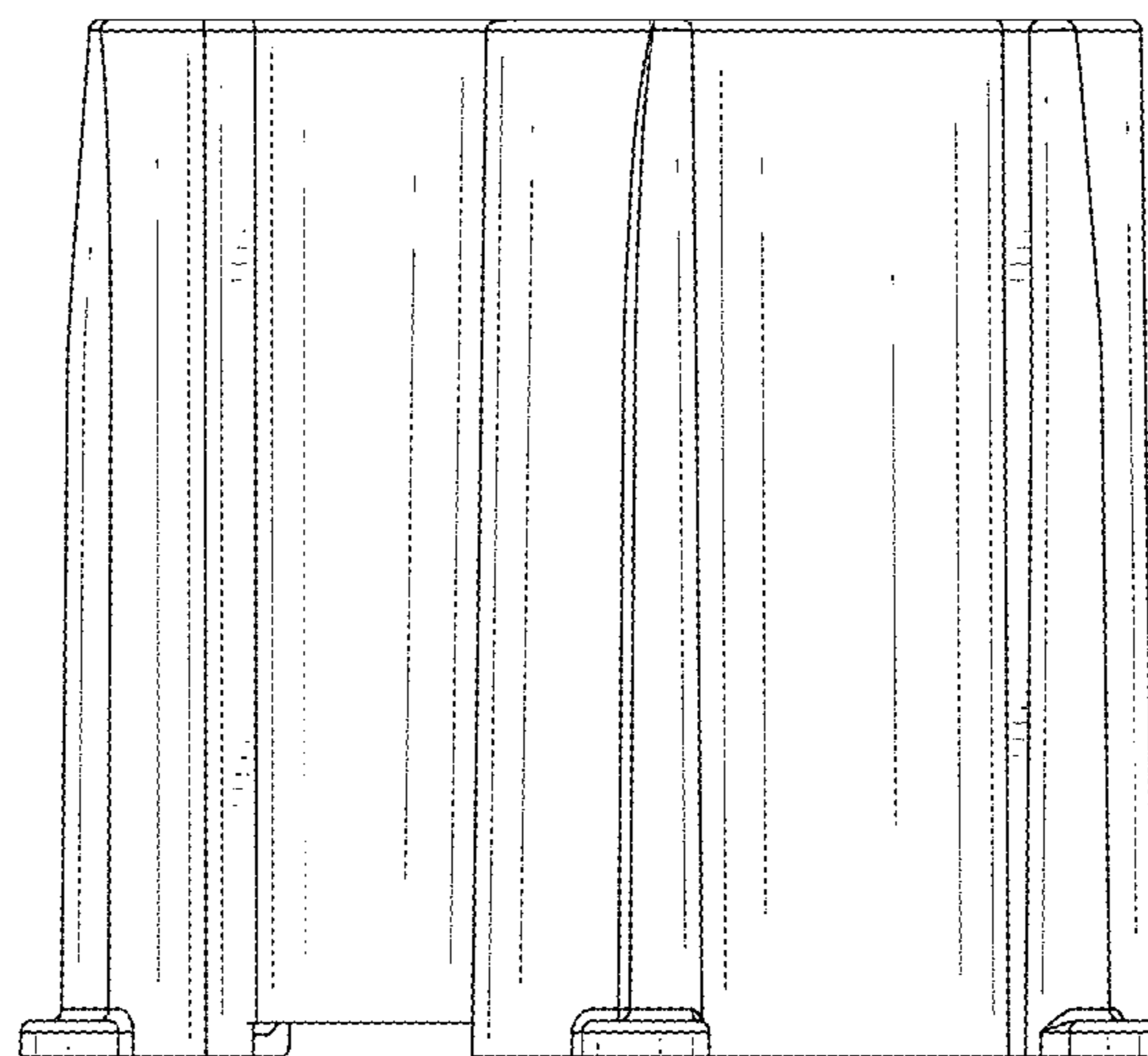


FIG. 5

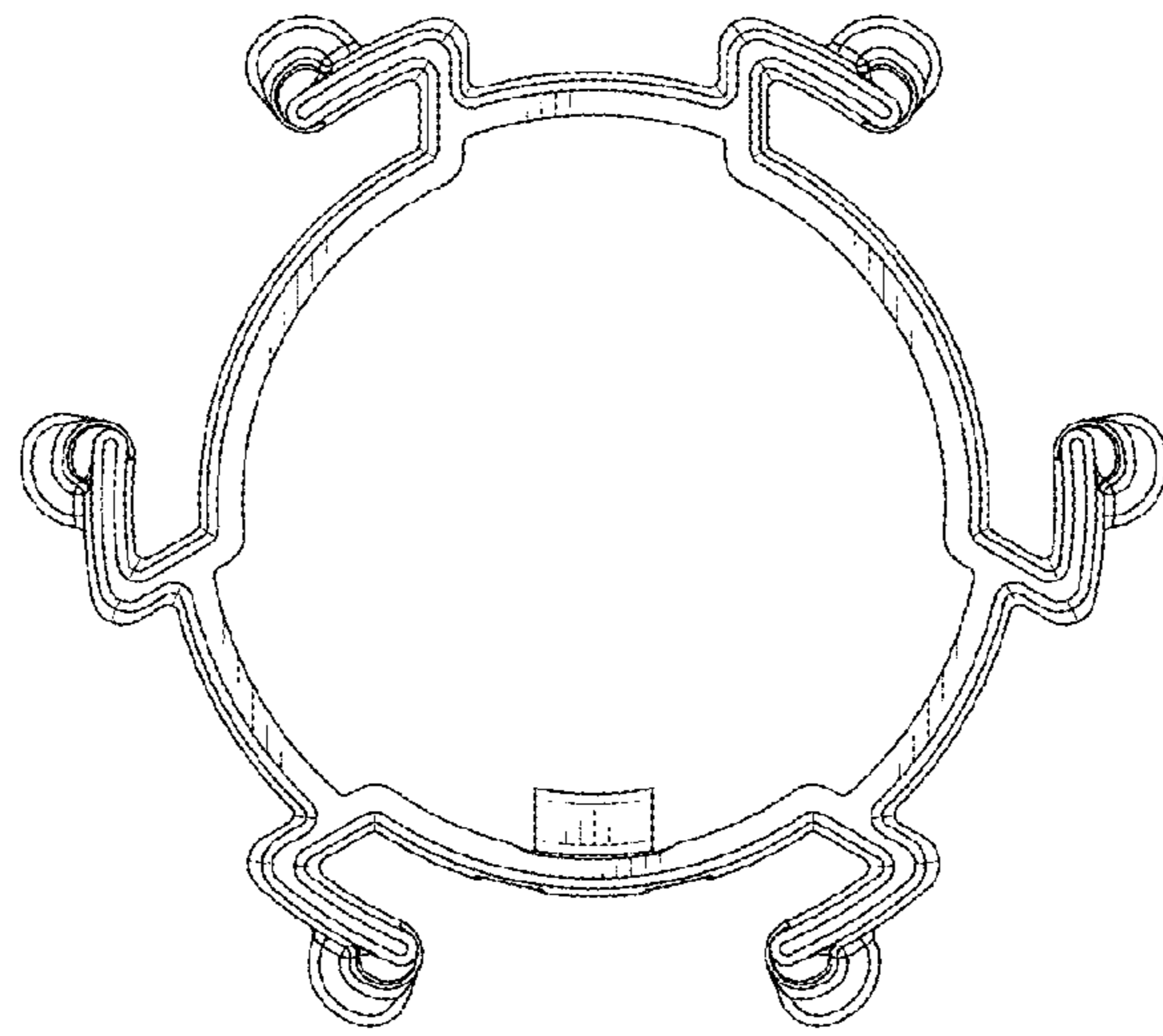


FIG. 6

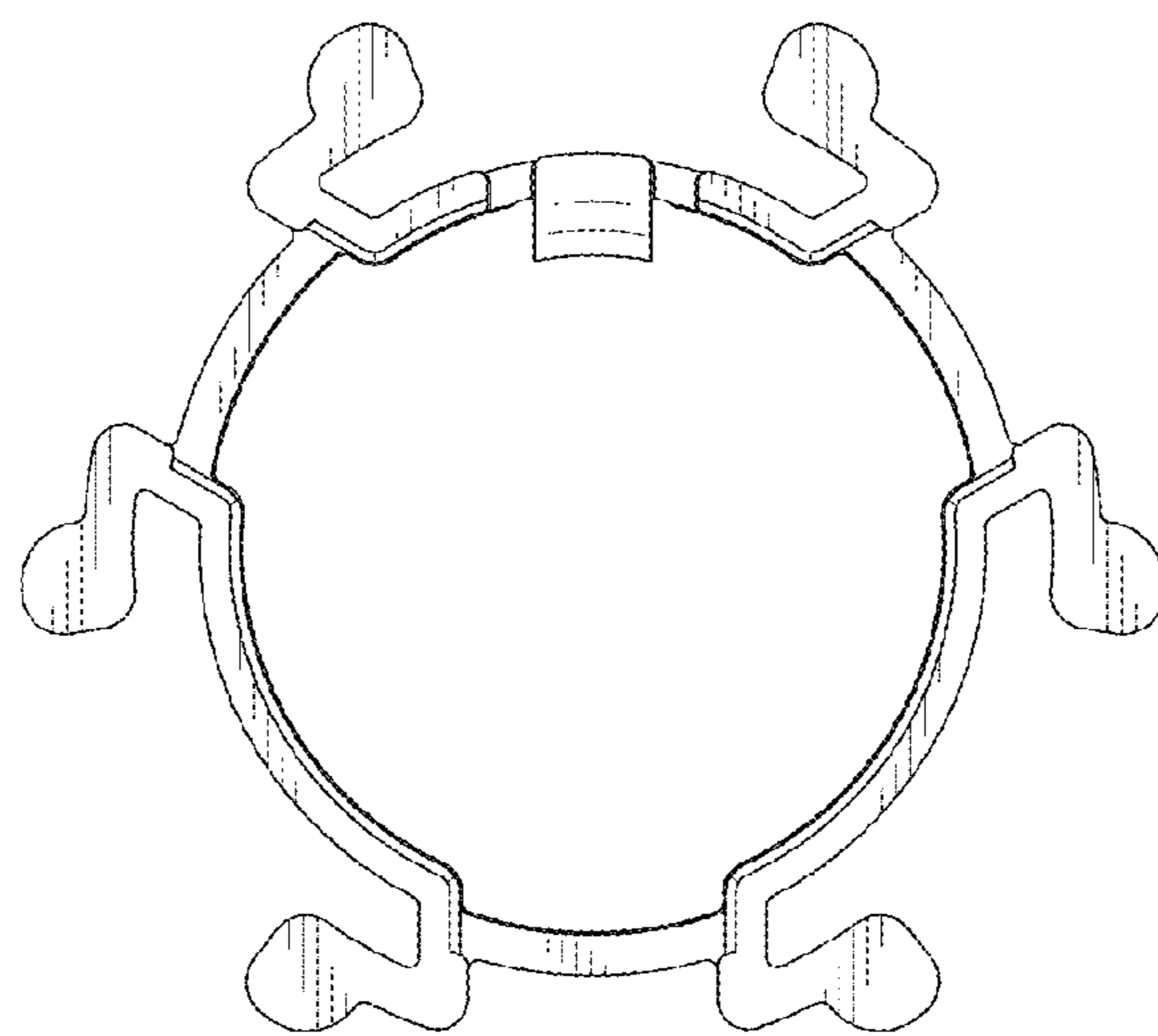


FIG. 7