



US00D677719S

(12) **United States Design Patent**
Inoue et al.

(10) **Patent No.:** **US D677,719 S**
(45) **Date of Patent:** **** Mar. 12, 2013**

(54) **PRINTER**

(75) Inventors: **Susumu Inoue**, Matsumoto (JP); **Emi Akahane**, Azumino (JP); **Wataru Suzuki**, Shiojiri (JP); **Tomoko Iwasaki**, Shiojiri (JP); **Takayuki Iijima**, Shiojiri (JP); **Seiya Hayashi**, Matsumoto (JP); **Mayu Arai**, Shiojiri (JP)

(73) Assignee: **Seiko Epson Corporation**, Tokyo (JP)

(**) Term: **14 Years**

(21) Appl. No.: **29/407,240**

(22) Filed: **Nov. 25, 2011**

(30) **Foreign Application Priority Data**

Jun. 10, 2011 (JP) 2011-013184

(51) **LOC (9) Cl.** **14-02**

(52) **U.S. Cl.** **D18/50**

(58) **Field of Classification Search** D18/19,
D18/36-38, 50, 52, 54, 54.1, 55; D14/420-425,
D14/462-470; 400/613, 613.1-613.4, 690.1-690.4,
400/691-694

See application file for complete search history.

(56) **References Cited**

U.S. PATENT DOCUMENTS

D291,094 S * 7/1987 Nakade D18/55
4,884,904 A * 12/1989 Berquist D18/50

D307,439 S * 4/1990 Doi D18/55
D343,409 S * 1/1994 Kobayashi D18/50
D424,101 S * 5/2000 Takeuchi D18/50
D443,891 S * 6/2001 Yonekawa et al. D18/55
D474,805 S * 5/2003 Gotham et al. D18/50
D579,487 S * 10/2008 Yamada D18/50
D607,926 S * 1/2010 Miyouchi et al. D18/55
D643,875 S * 8/2011 Suzuki et al. D18/55

FOREIGN PATENT DOCUMENTS

JP 1419968 S 8/2011

* cited by examiner

Primary Examiner — Cathy A MacCormac

(57) **CLAIM**

The ornamental design for a printer, as shown and described.

DESCRIPTION

FIG. 1 is a front, top and right side perspective view of a printer showing our new design; FIG. 2 is a rear, top and left side perspective view thereof; FIG. 3 is a front view thereof; FIG. 4 is a rear view thereof; FIG. 5 is a left side view thereof; FIG. 6 is a right side view thereof; FIG. 7 is a top plan view thereof; FIG. 8 is a bottom plan view thereof; and, FIG. 9 is a perspective view thereof showing the tray in an open position.

The features shown in broken lines in the drawings depict environmental subject matter only and form no part of the claimed design.

1 Claim, 9 Drawing Sheets

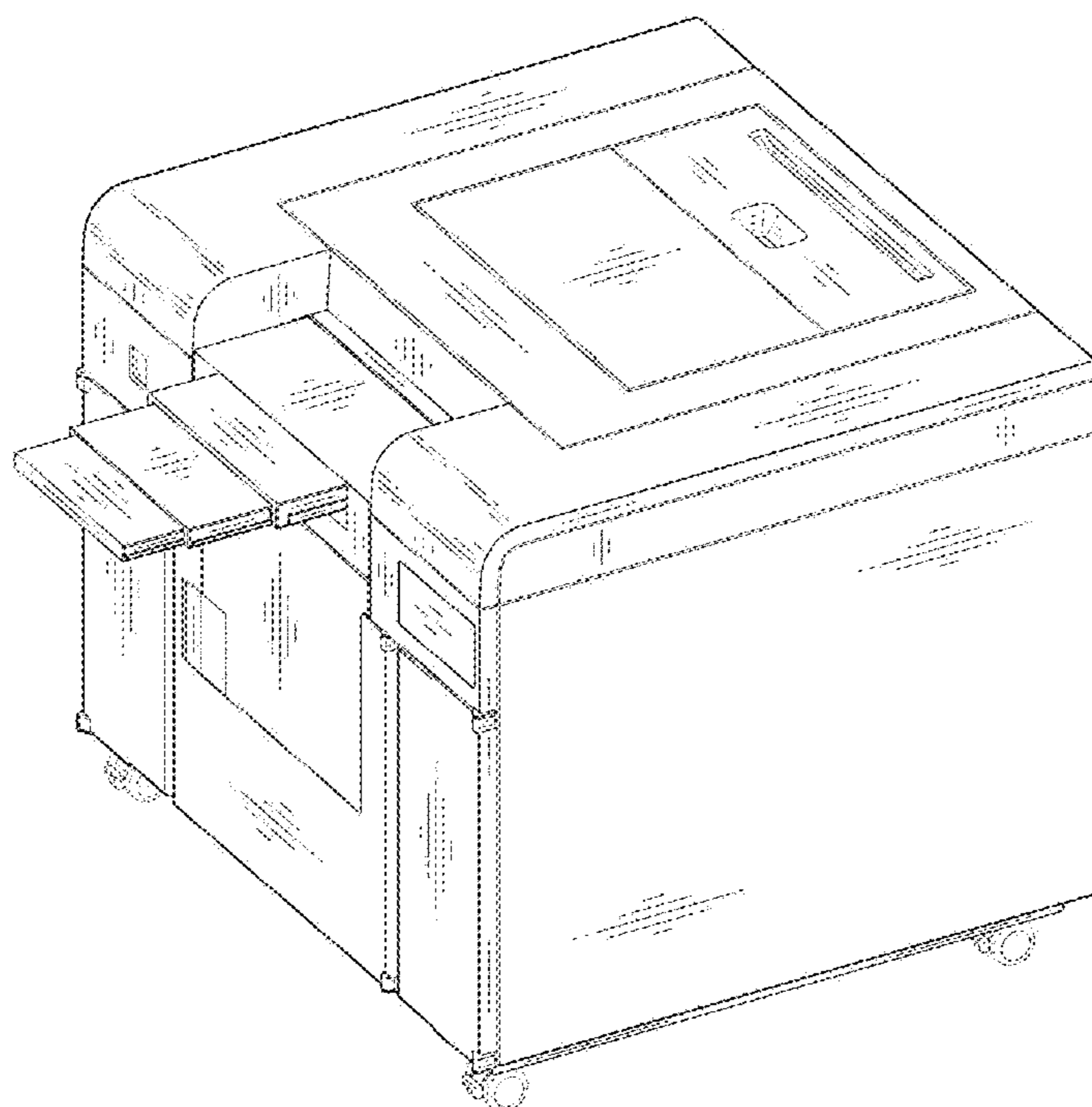


FIG. 1

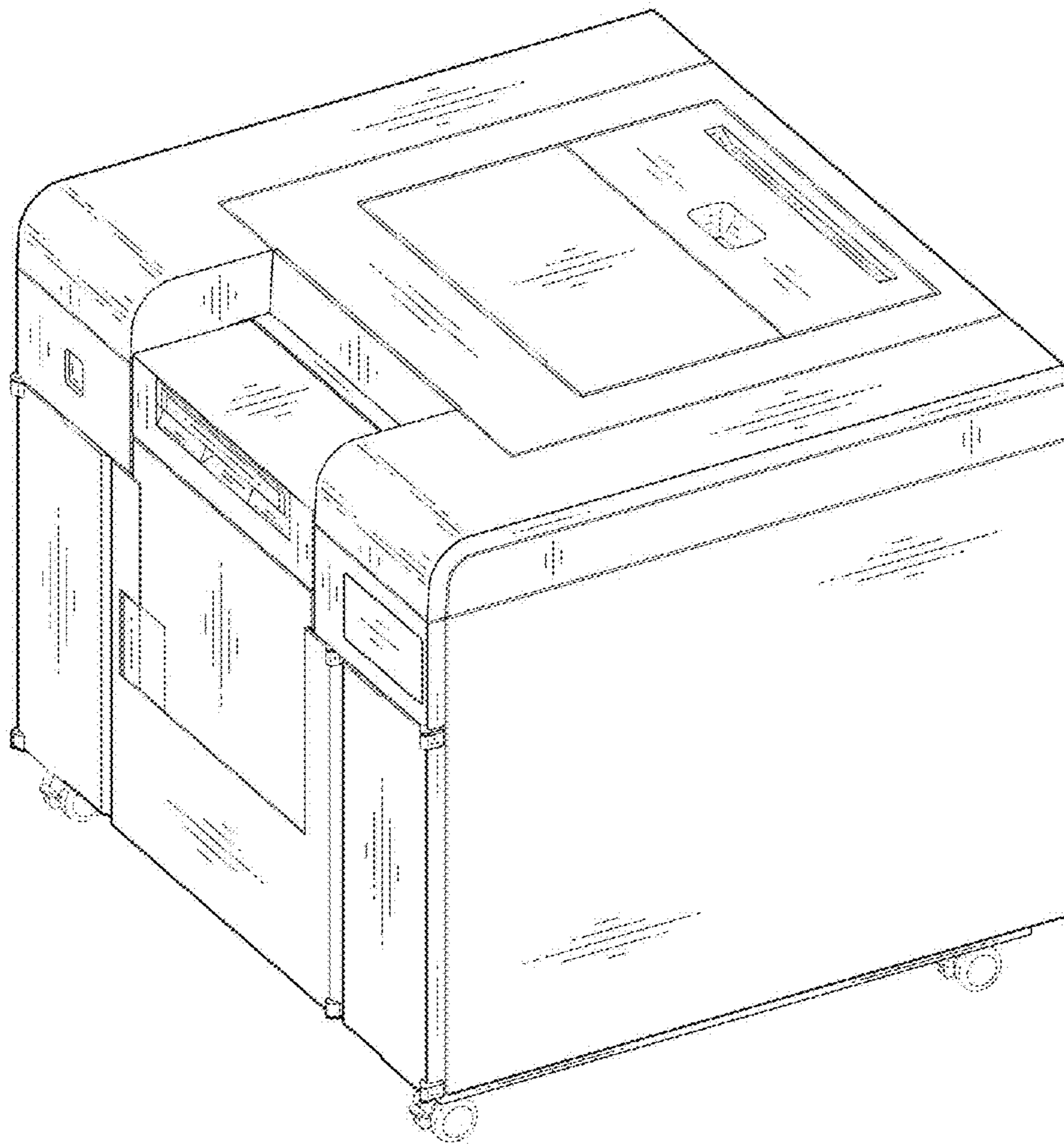


FIG. 2

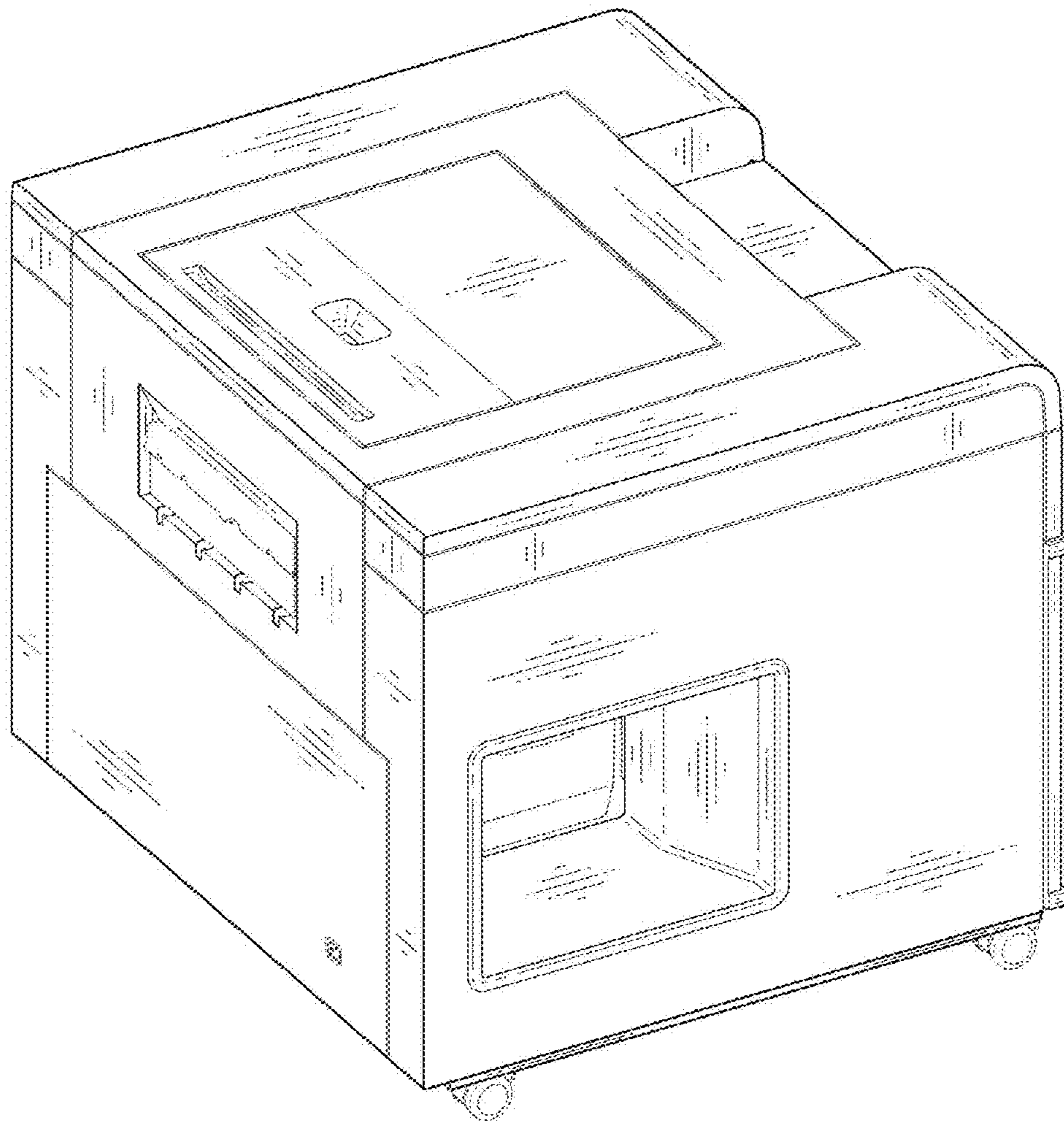


FIG. 3

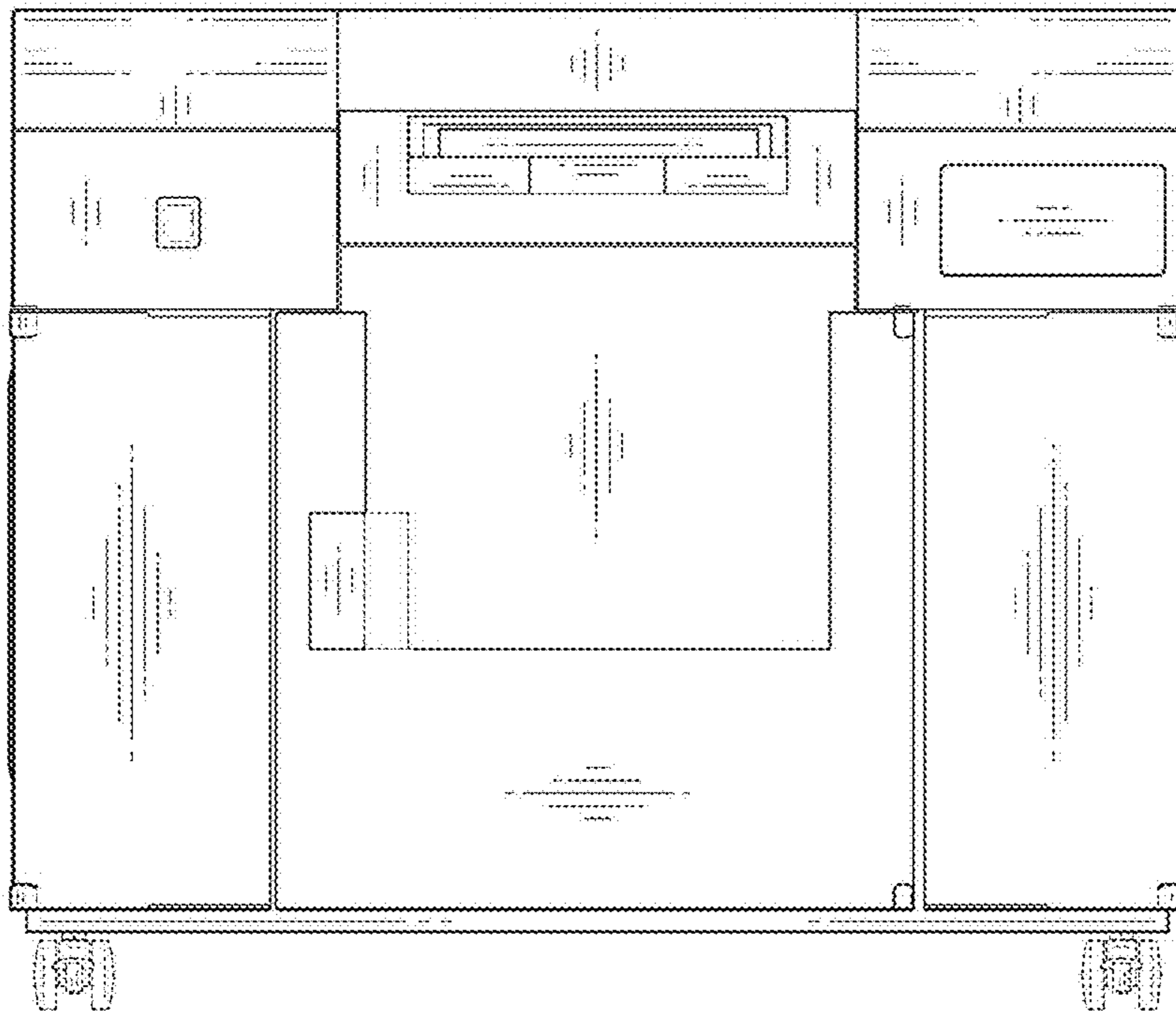


FIG. 4

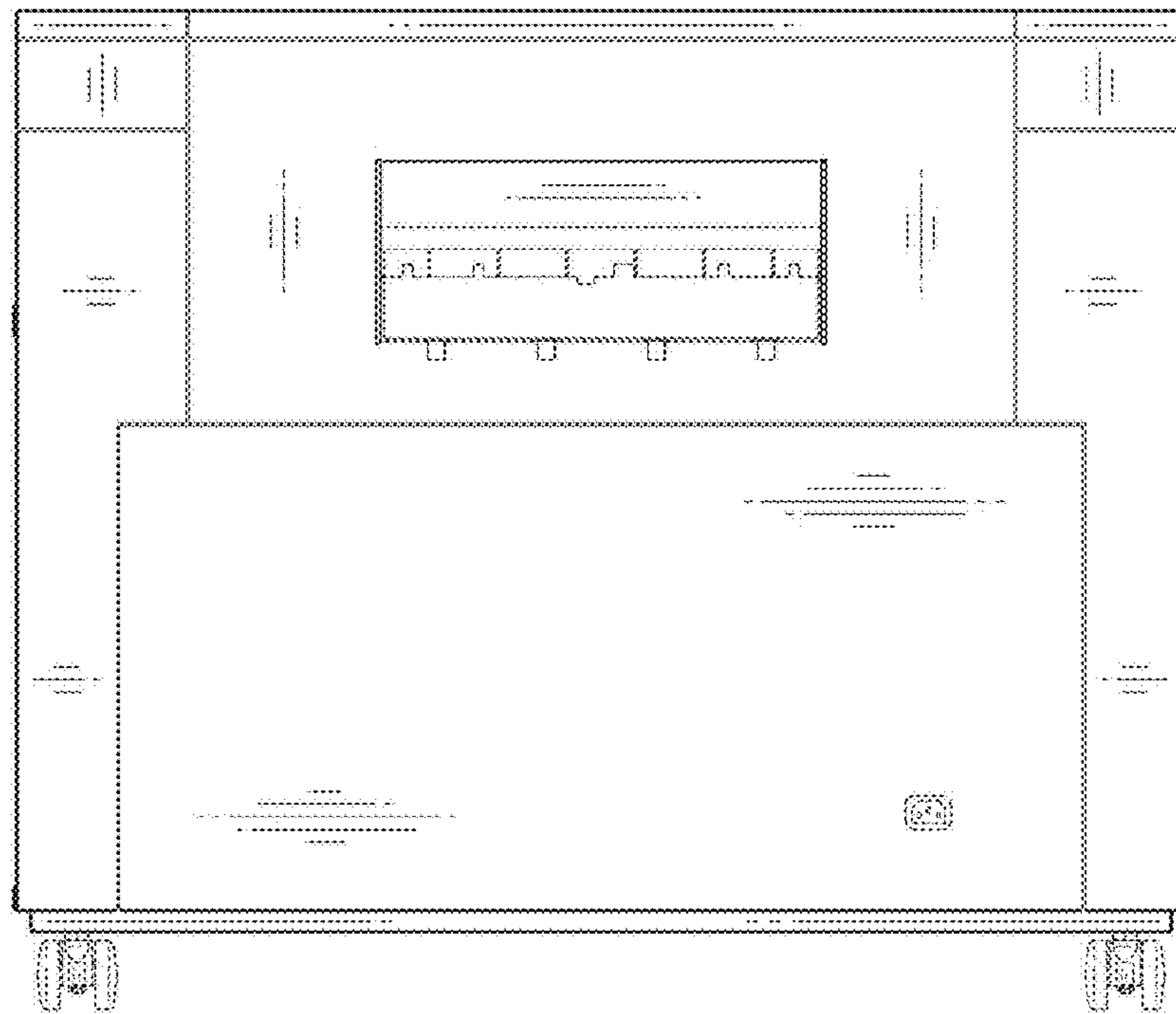


FIG. 5

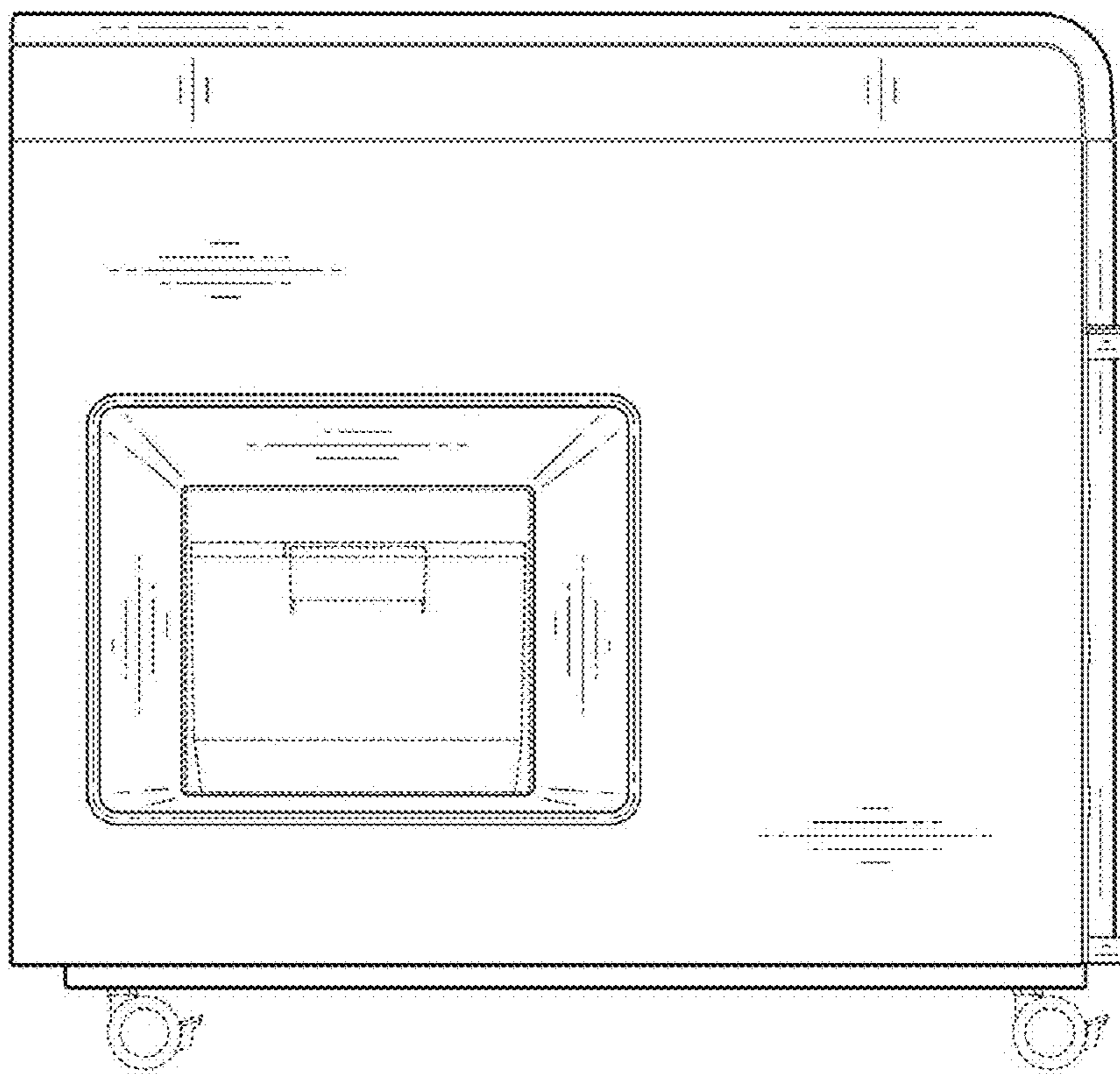


FIG. 6

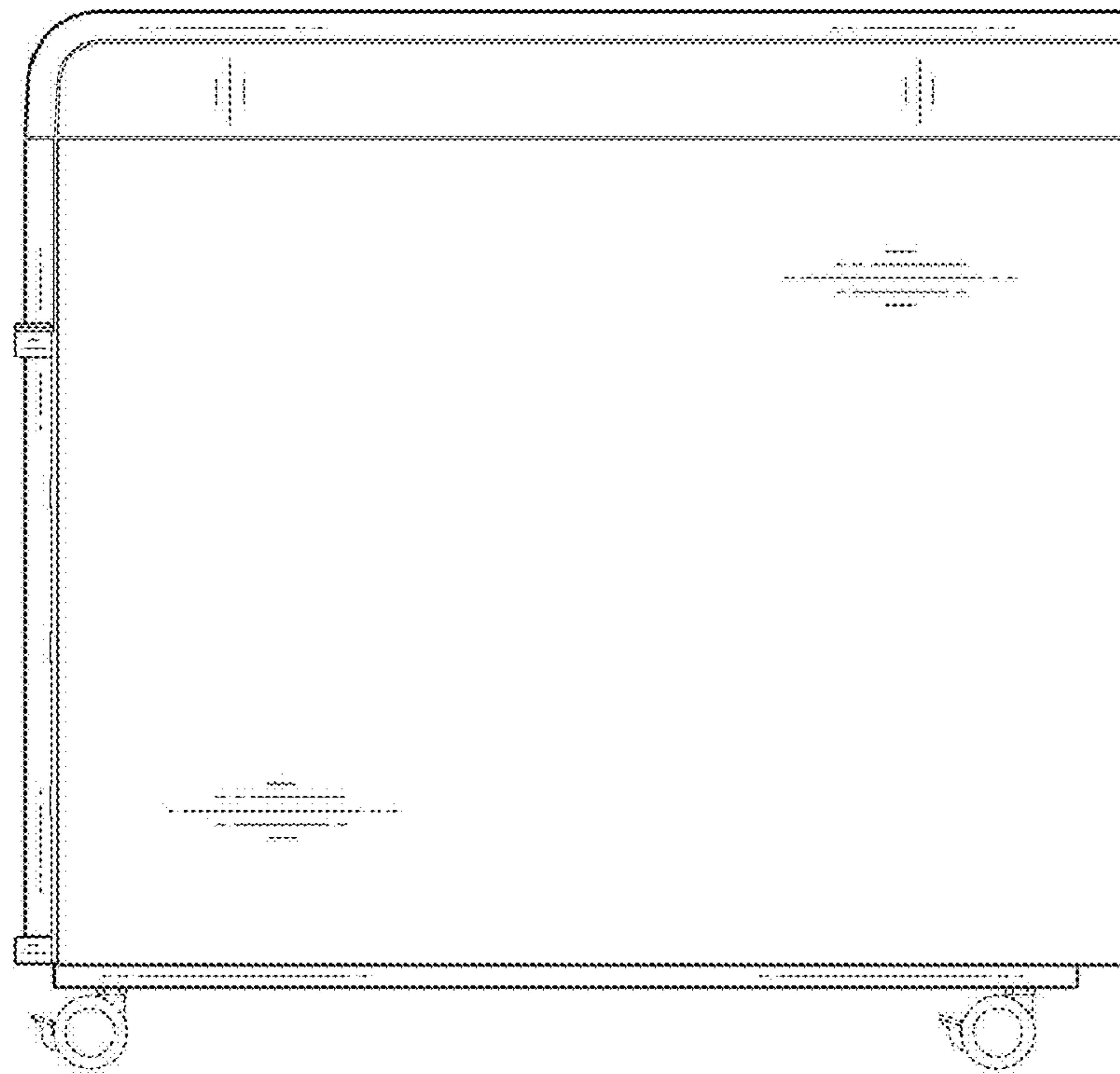


FIG. 7

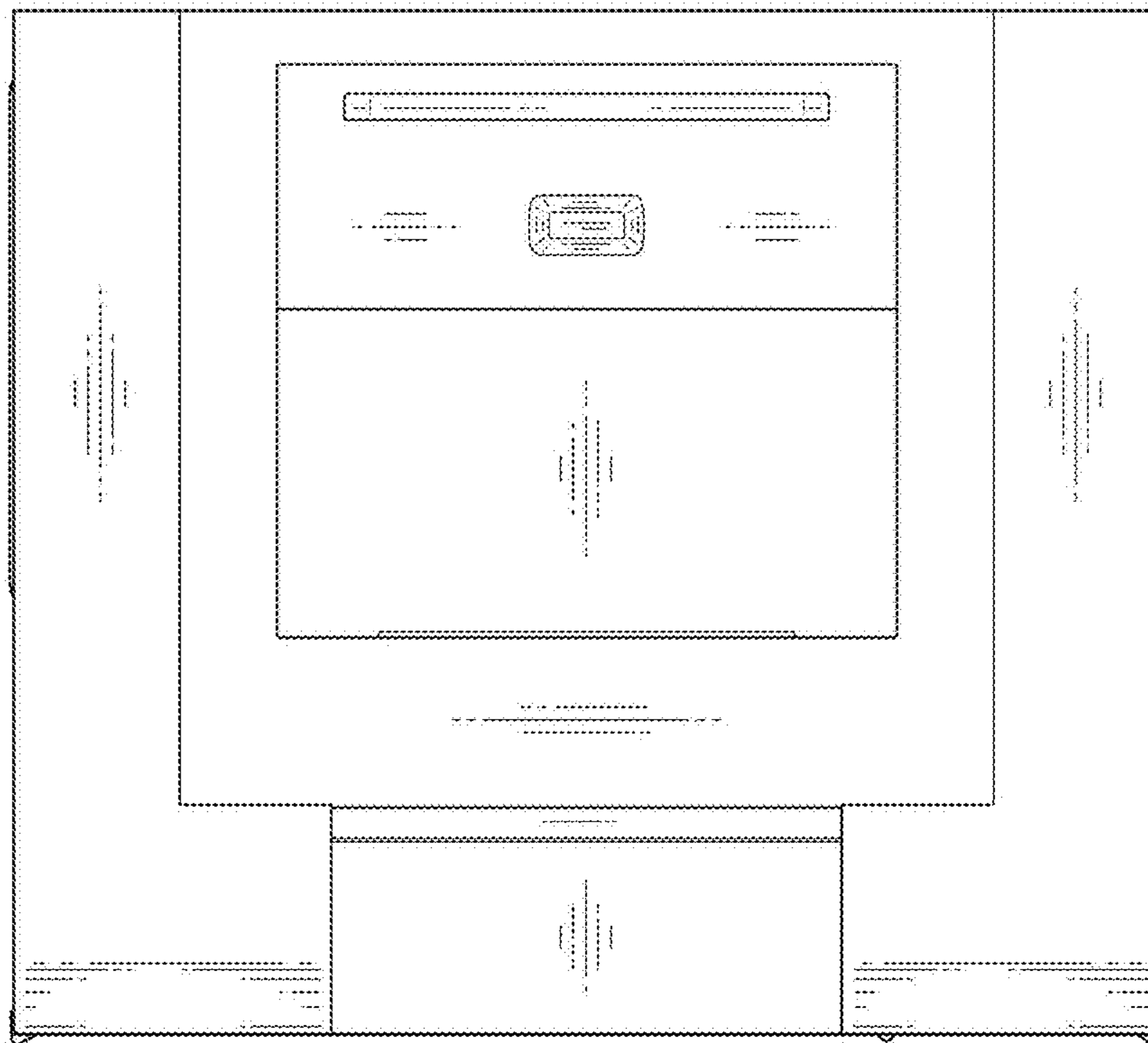


FIG. 8

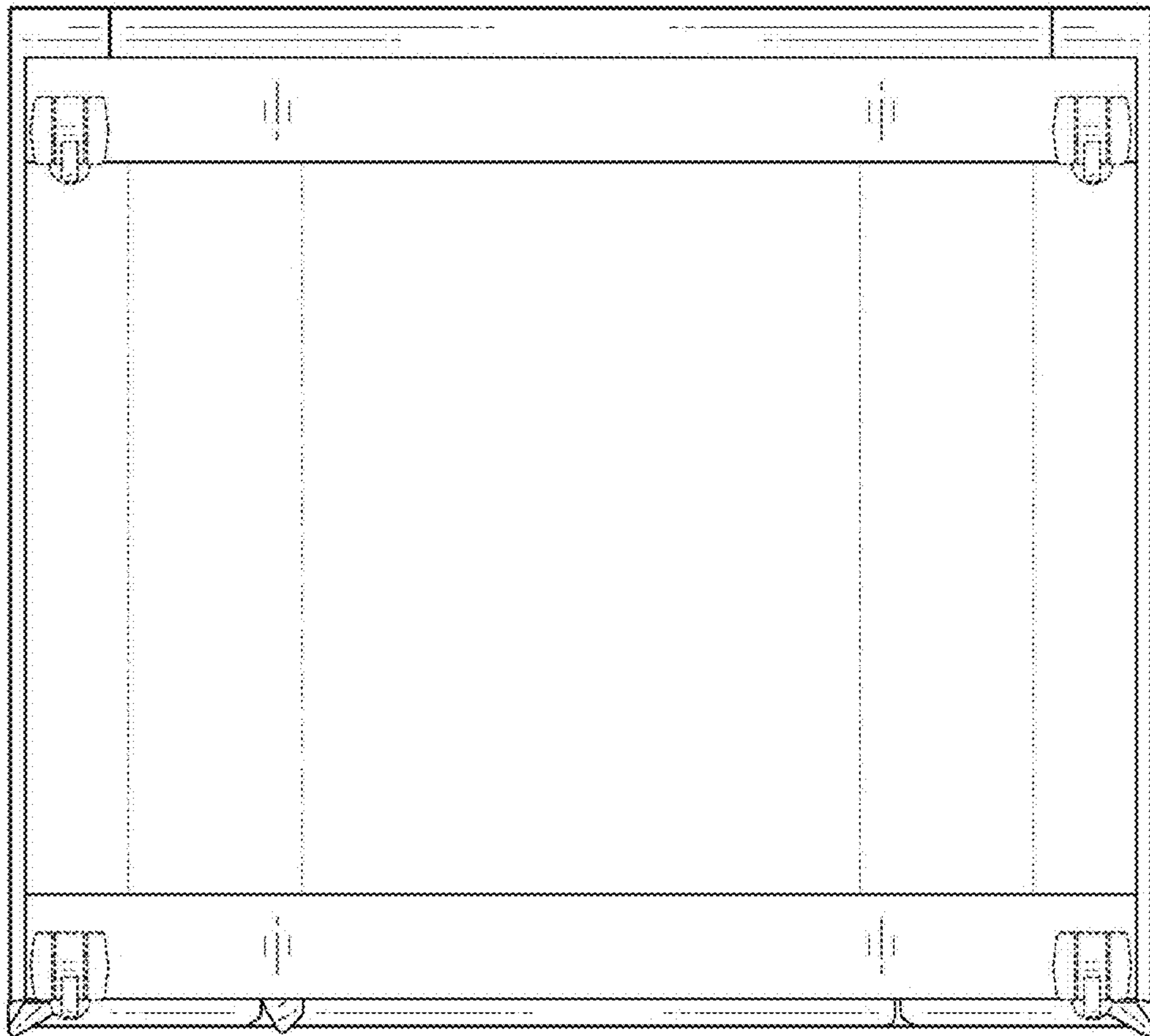


FIG. 9

