



US00D677717S

(12) **United States Design Patent**
Applegate et al.

(10) **Patent No.:** **US D677,717 S**
(45) **Date of Patent:** **** Mar. 12, 2013**

(54) **SHREDDER**

(75) Inventors: **Shawn Michael Applegate**, Wood Dale, IL (US); **Tai Hoon K. Matlin**, Round Lake Beach, IL (US); **Roy Whitson**, Franklin, NH (US); **Jonathan Wesley Morris**, Goffstown, NH (US); **Alan Kenneth Stratton**, Milford, NH (US)

(73) Assignee: **Fellowes, Inc.**, Itasca, IL (US)

(**) Term: **14 Years**

(21) Appl. No.: **29/407,855**

(22) Filed: **Dec. 2, 2011**

(51) **LOC (9) Cl.** **18-04**

(52) **U.S. Cl.** **D18/34.5**

(58) **Field of Classification Search** D18/34.3, D18/34.4, 34.5, 34.6, 34.9; D23/356, 359, D23/360, 364; 241/100, 236, 30, 36
See application file for complete search history.

(56) **References Cited**

U.S. PATENT DOCUMENTS

D502,961 S *	3/2005	Lo	D18/34.6
D598,048 S *	8/2009	Holderfield et al.	D18/34.9
D602,074 S *	10/2009	Holderfield et al.	D18/34.5
D611,088 S *	3/2010	Kent et al.	D18/34.5
D616,925 S *	6/2010	Kim et al.	D18/34.5
D618,275 S *	6/2010	Wing et al.	D18/34.5
D643,461 S *	8/2011	Kim et al.	D18/34.5
D660,345 S *	5/2012	Horvath et al.	D18/34.5
D660,907 S *	5/2012	Wing et al.	D18/34.5

2006/0219827 A1* 10/2006 Matlin et al. 241/30

* cited by examiner

Primary Examiner — Bridget L Eland

(74) *Attorney, Agent, or Firm* — Pillsbury Winthrop Shaw Pittman LLP

(57) **CLAIM**

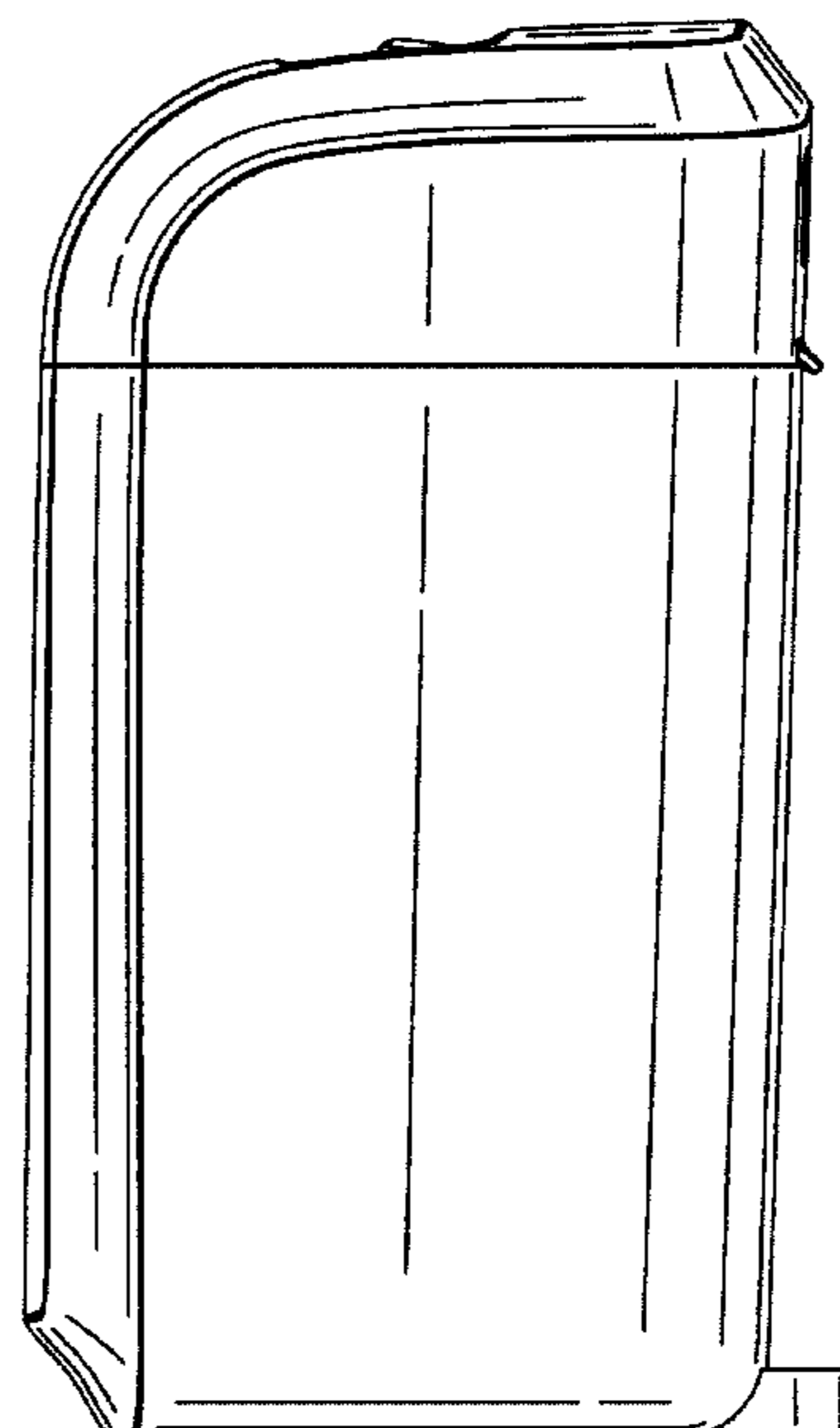
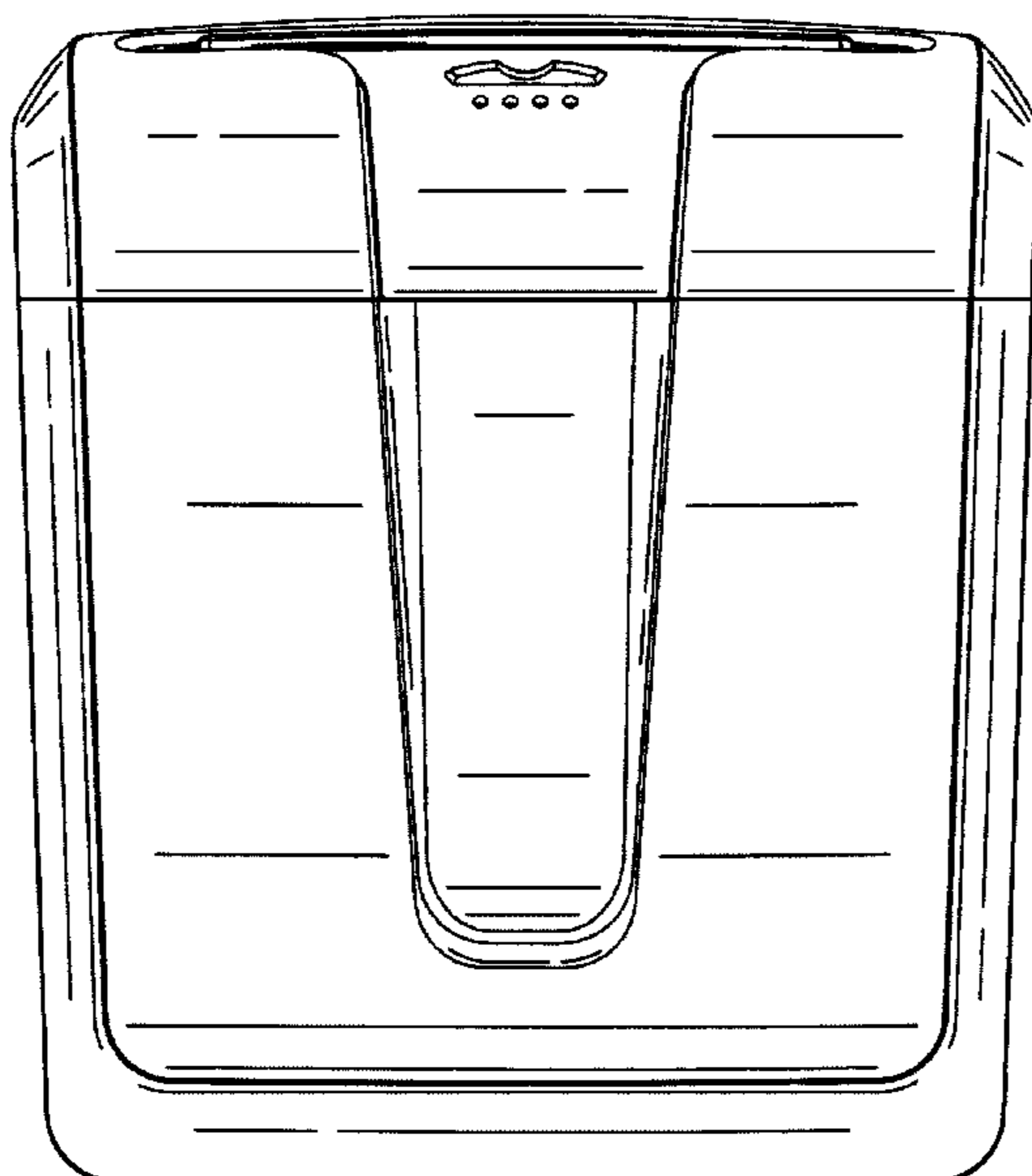
The ornamental design for a shredder, as shown and described.

DESCRIPTION

FIG. 1 is a perspective view of a shredder embodying a first aspect of the design;
FIG. 2 is a front view of the shredder of FIG. 1;
FIG. 3 is a rear view of the shredder of FIG. 1;
FIG. 4 is a left profile view of the shredder of FIG. 1;
FIG. 5 is a right profile view of the shredder of FIG. 1;
FIG. 6 is a top view of the shredder of FIG. 1;
FIG. 7 is a bottom view of the shredder of FIG. 1;
FIG. 8 is a perspective view of a shredder embodying a second aspect of the design;
FIG. 9 is a front view of the shredder of FIG. 8;
FIG. 10 is a rear view of the shredder of FIG. 8;
FIG. 11 is a left profile view of the shredder of FIG. 8;
FIG. 12 is a right profile view of the shredder of FIG. 8;
FIG. 13 is a top view of the shredder of FIG. 8; and,
FIG. 14 is a bottom view of the shredder of FIG. 8.

The broken lines immediately adjacent the claimed areas represent the bounds of the claimed design while all other broken lines are directed to environment and are for illustrative purposes only; the broken lines form no part of the claimed design.

1 Claim, 14 Drawing Sheets



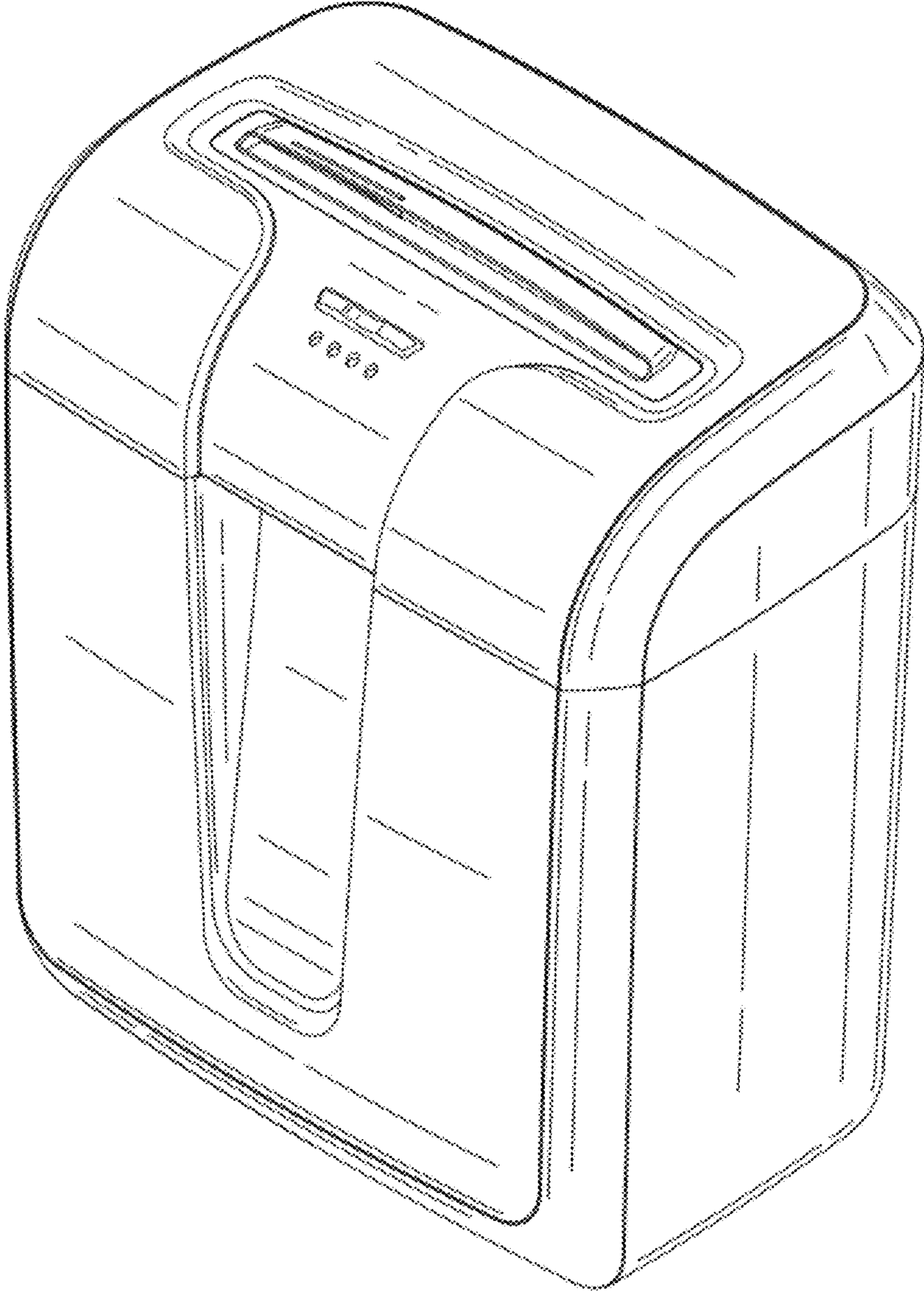


FIG. 1

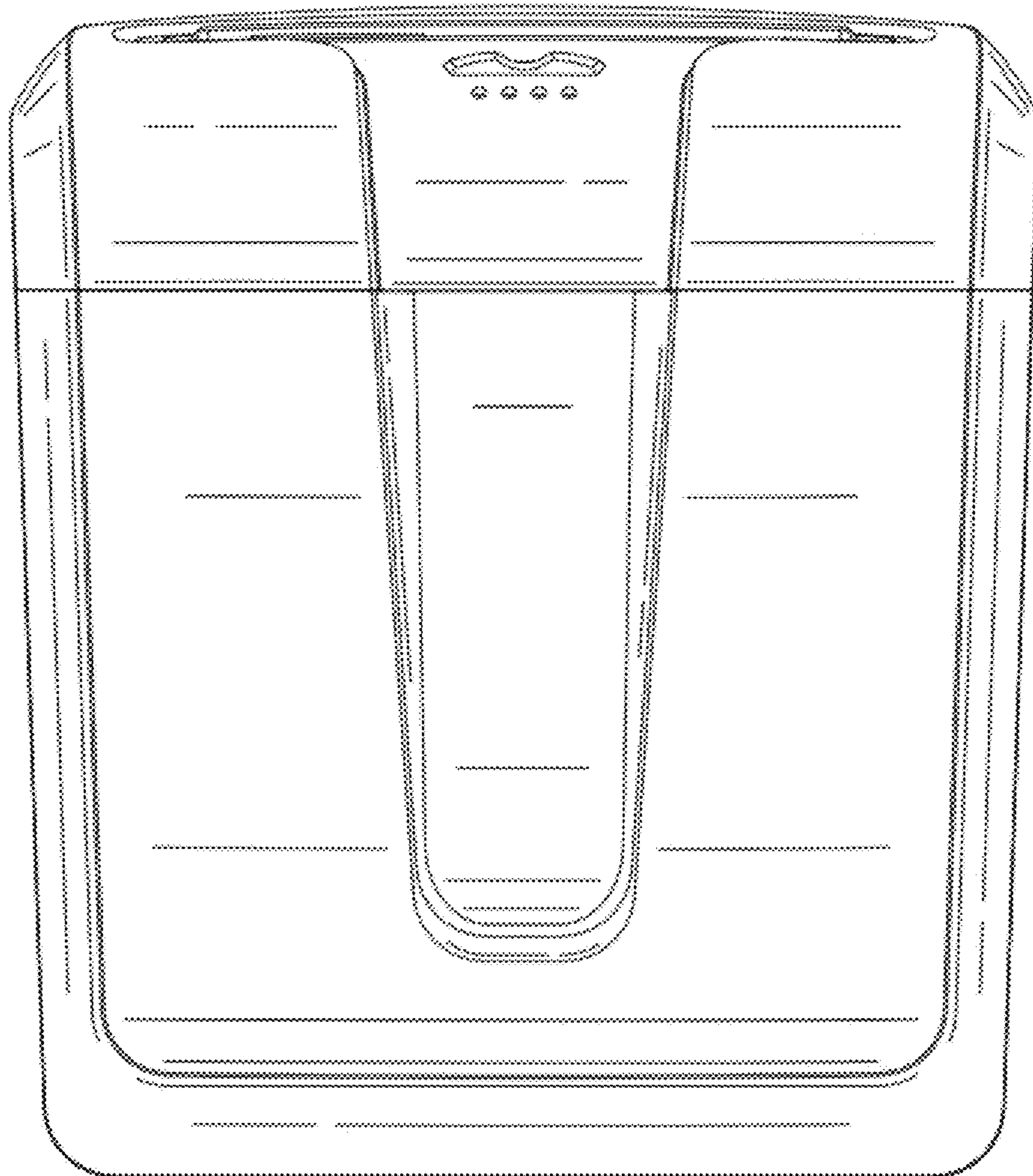


FIG. 2

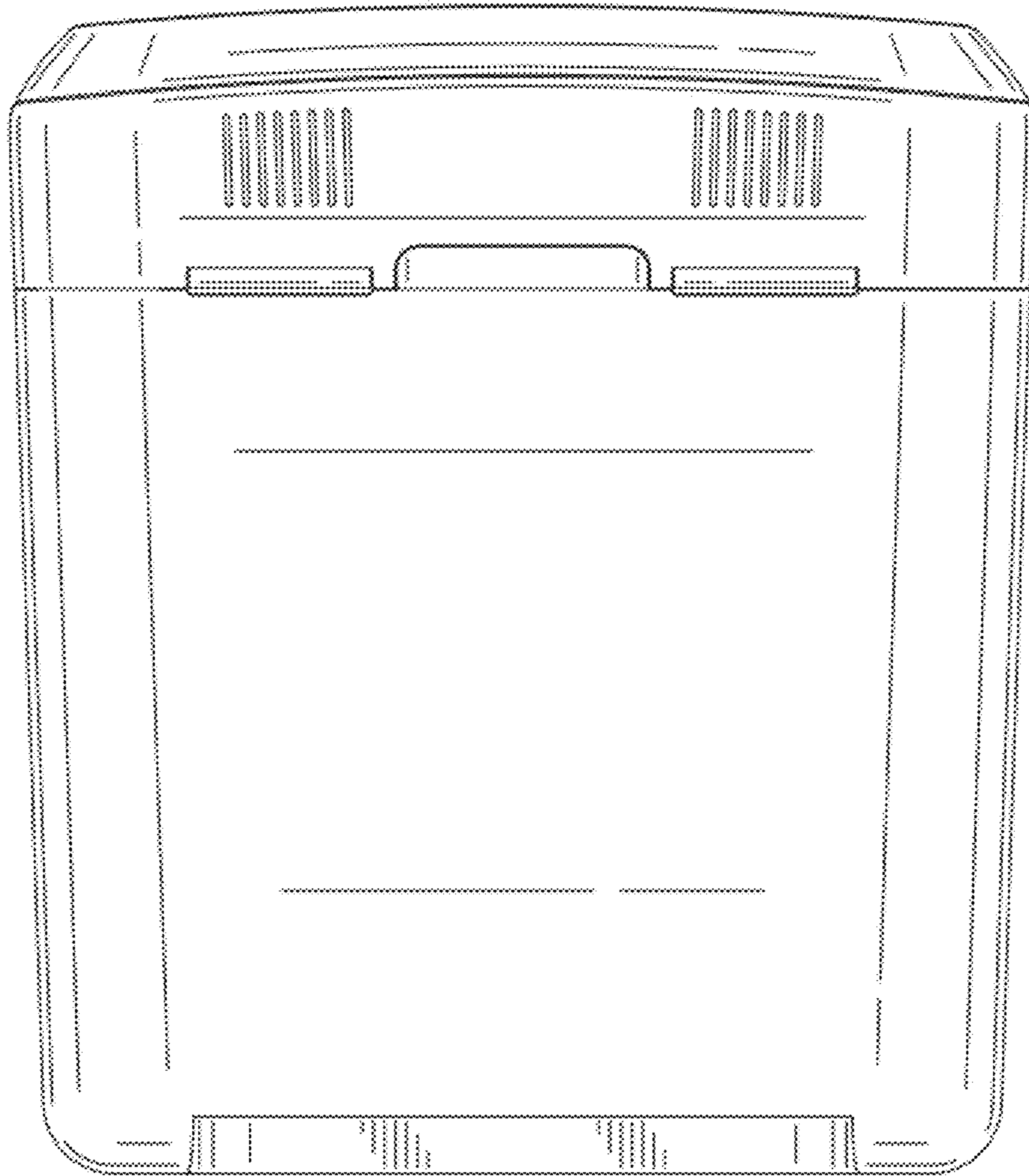


FIG. 3

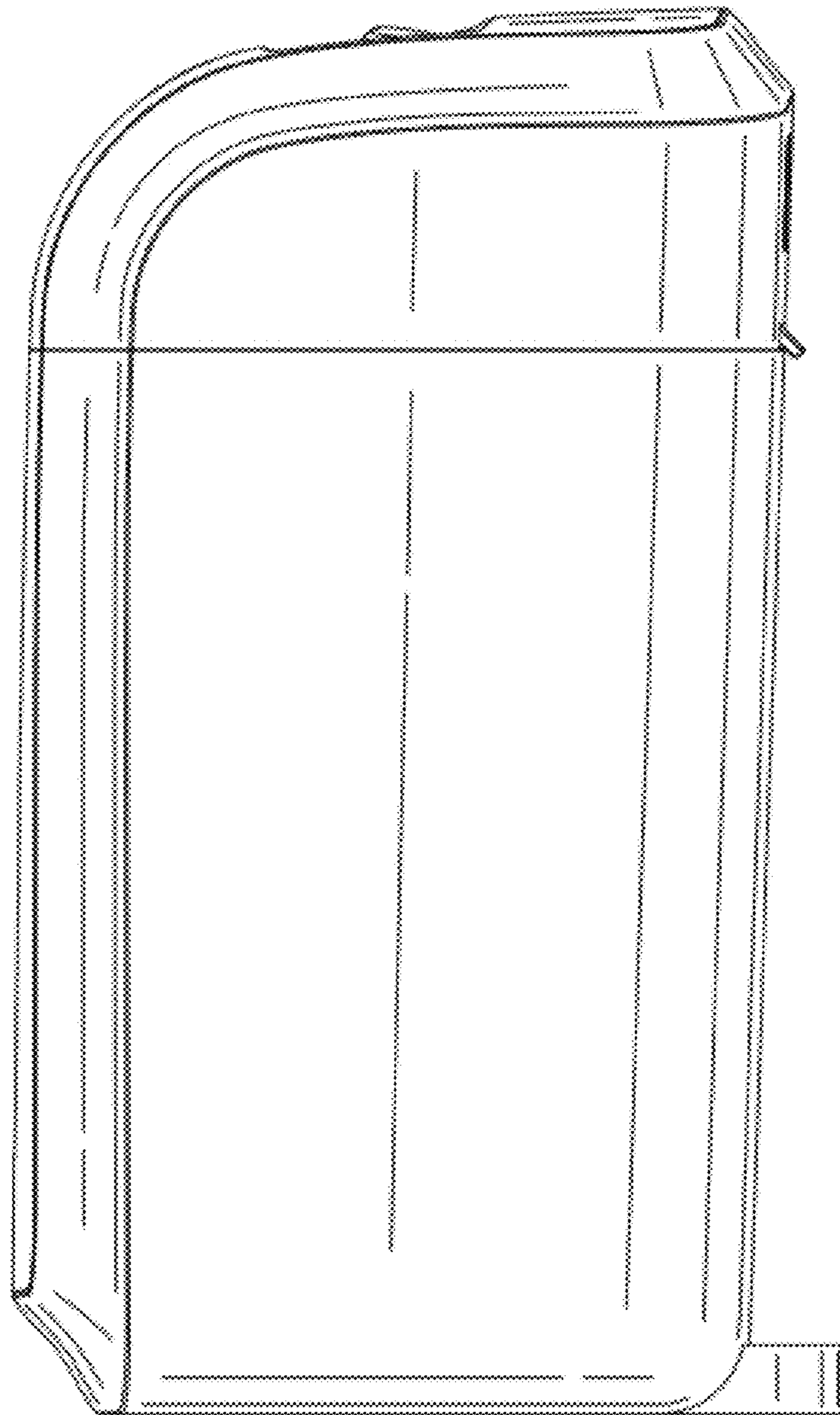


FIG. 4

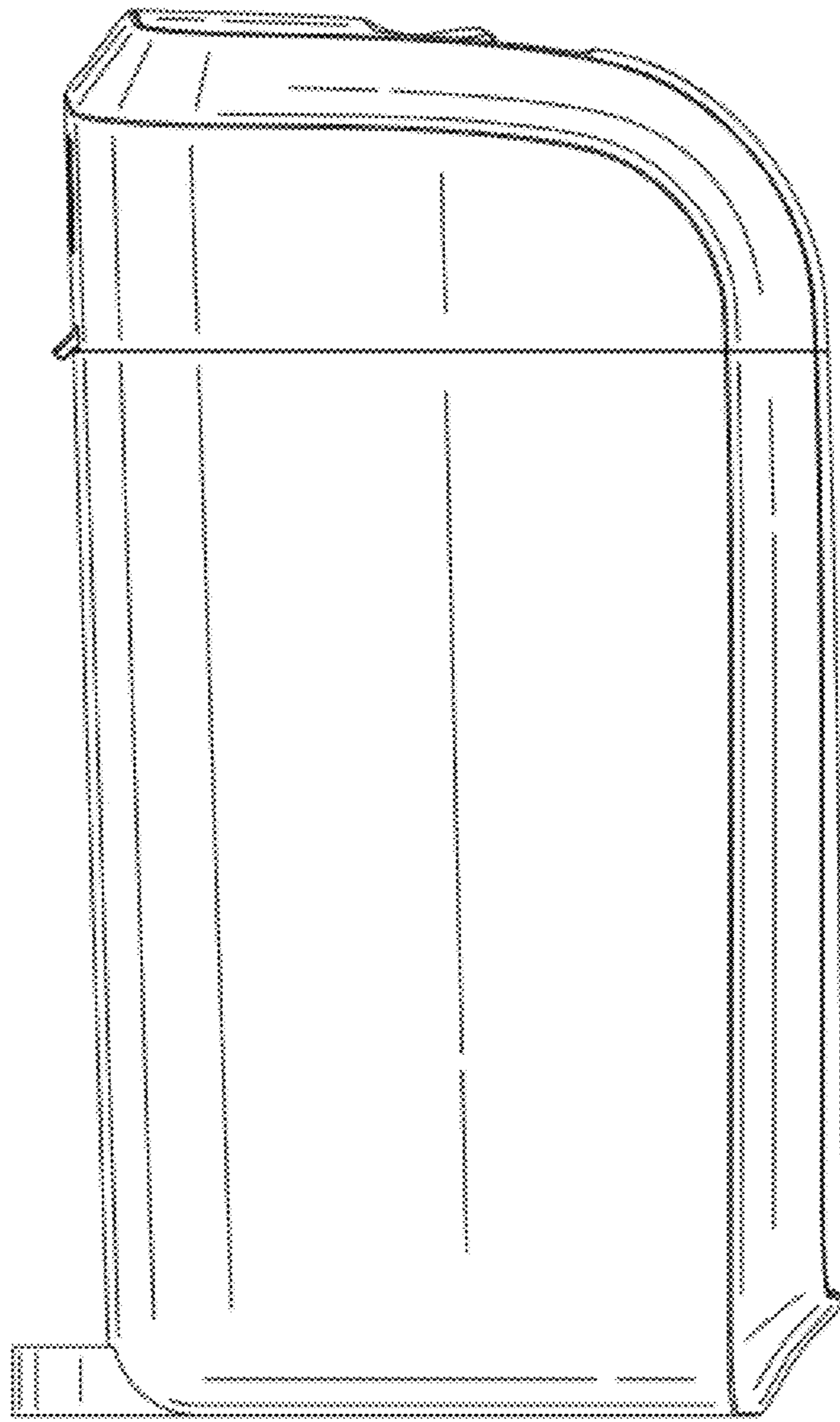


FIG. 5

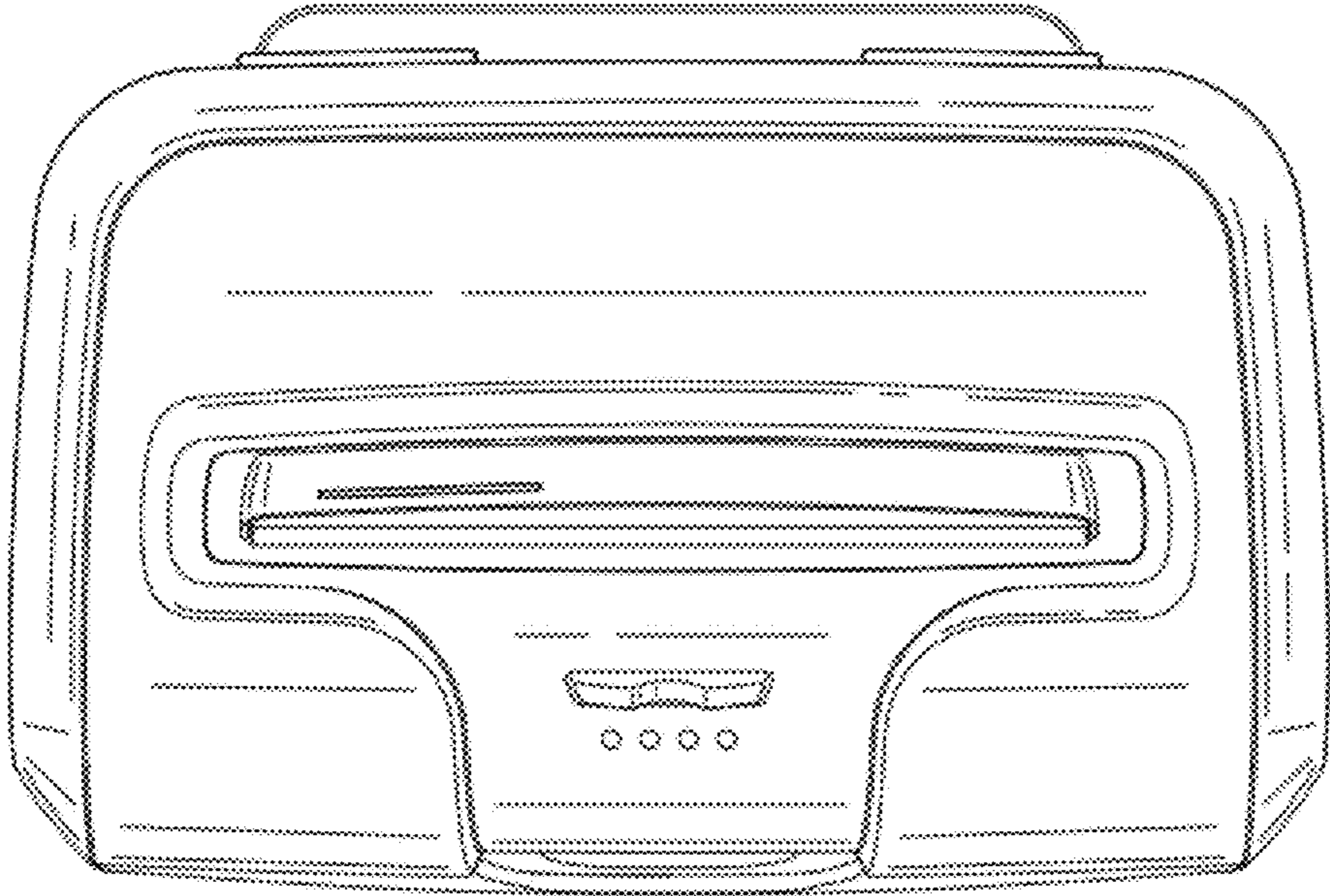


FIG. 6

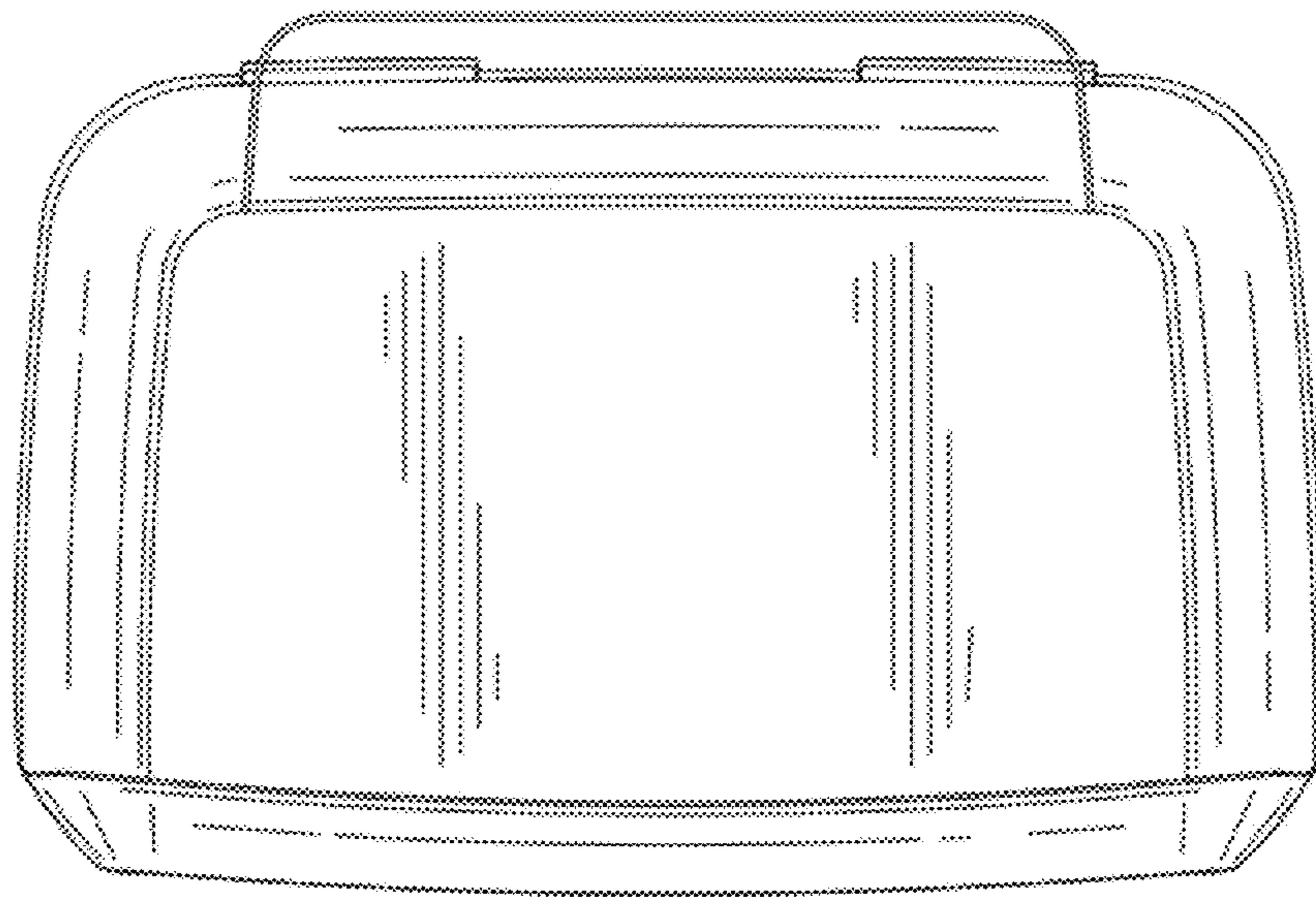


FIG. 7

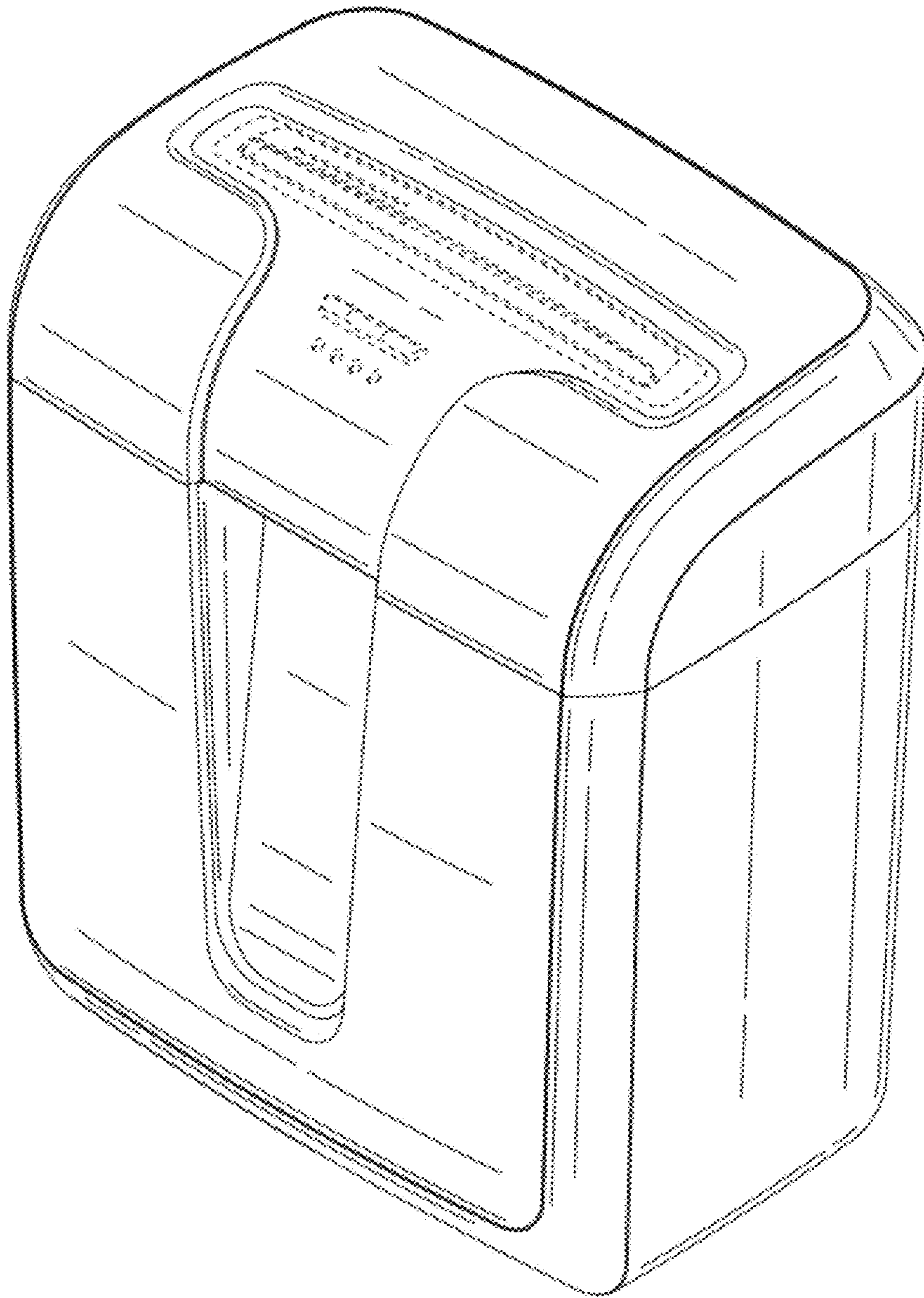


FIG. 8

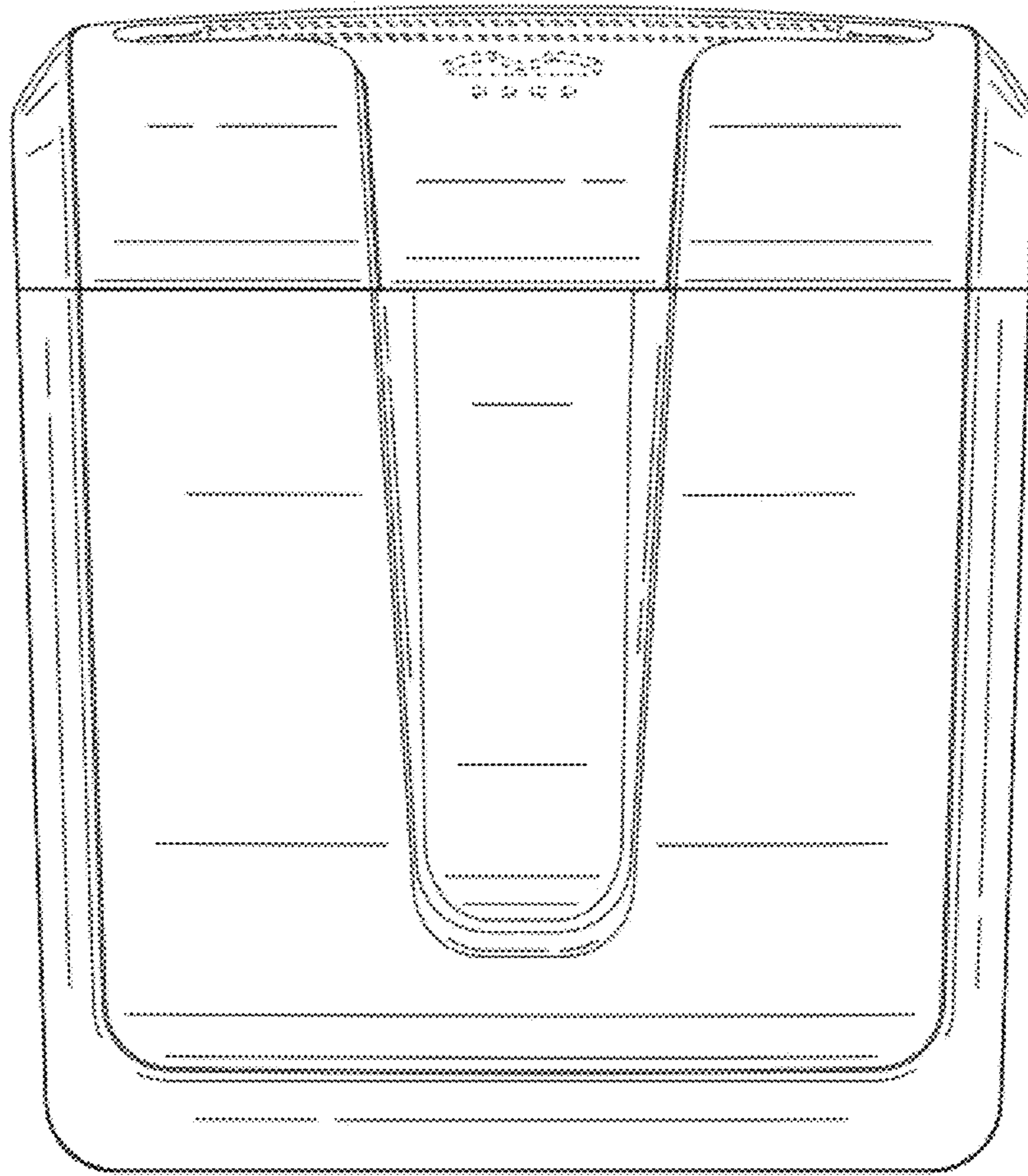


FIG. 9

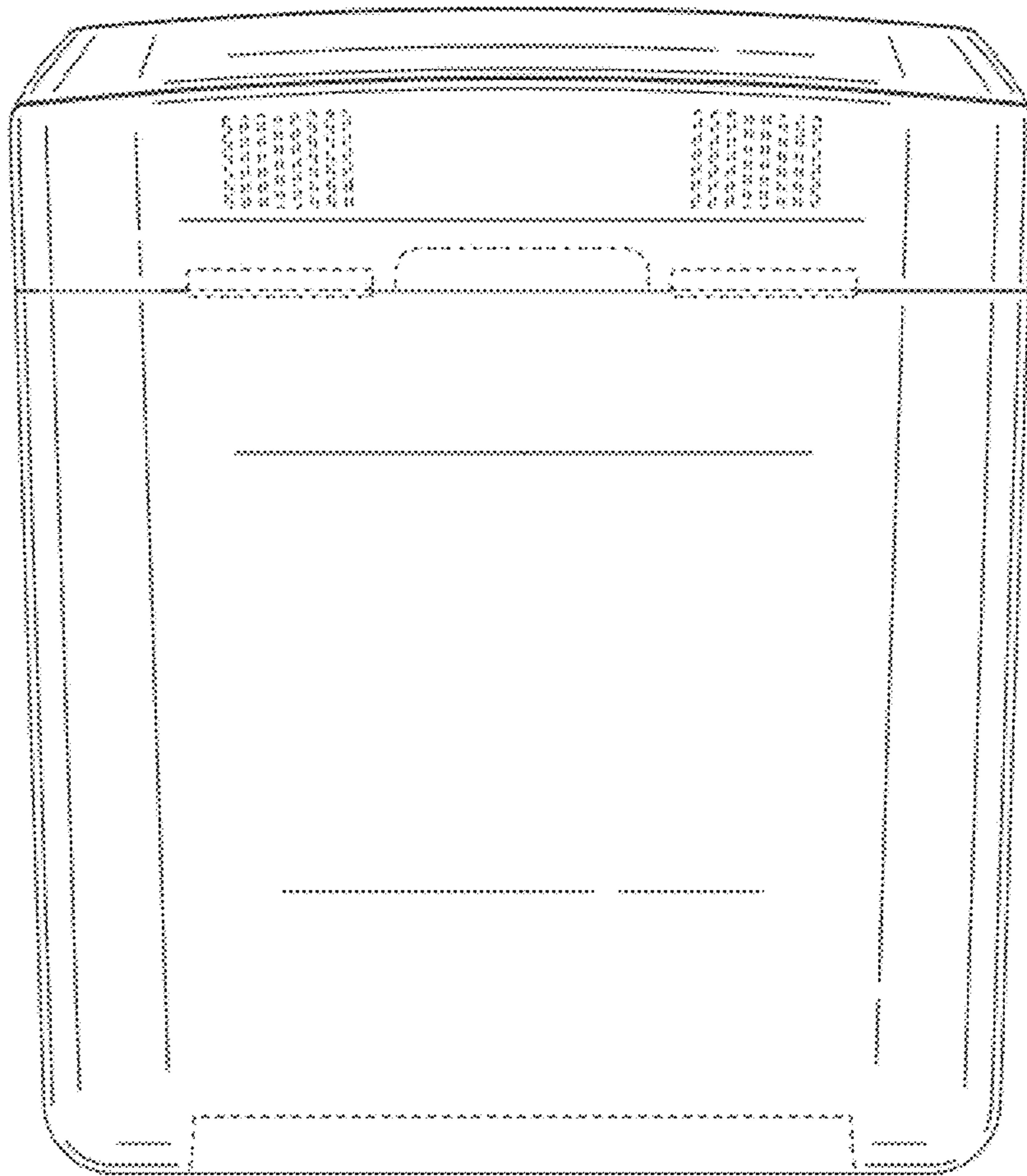


FIG. 10

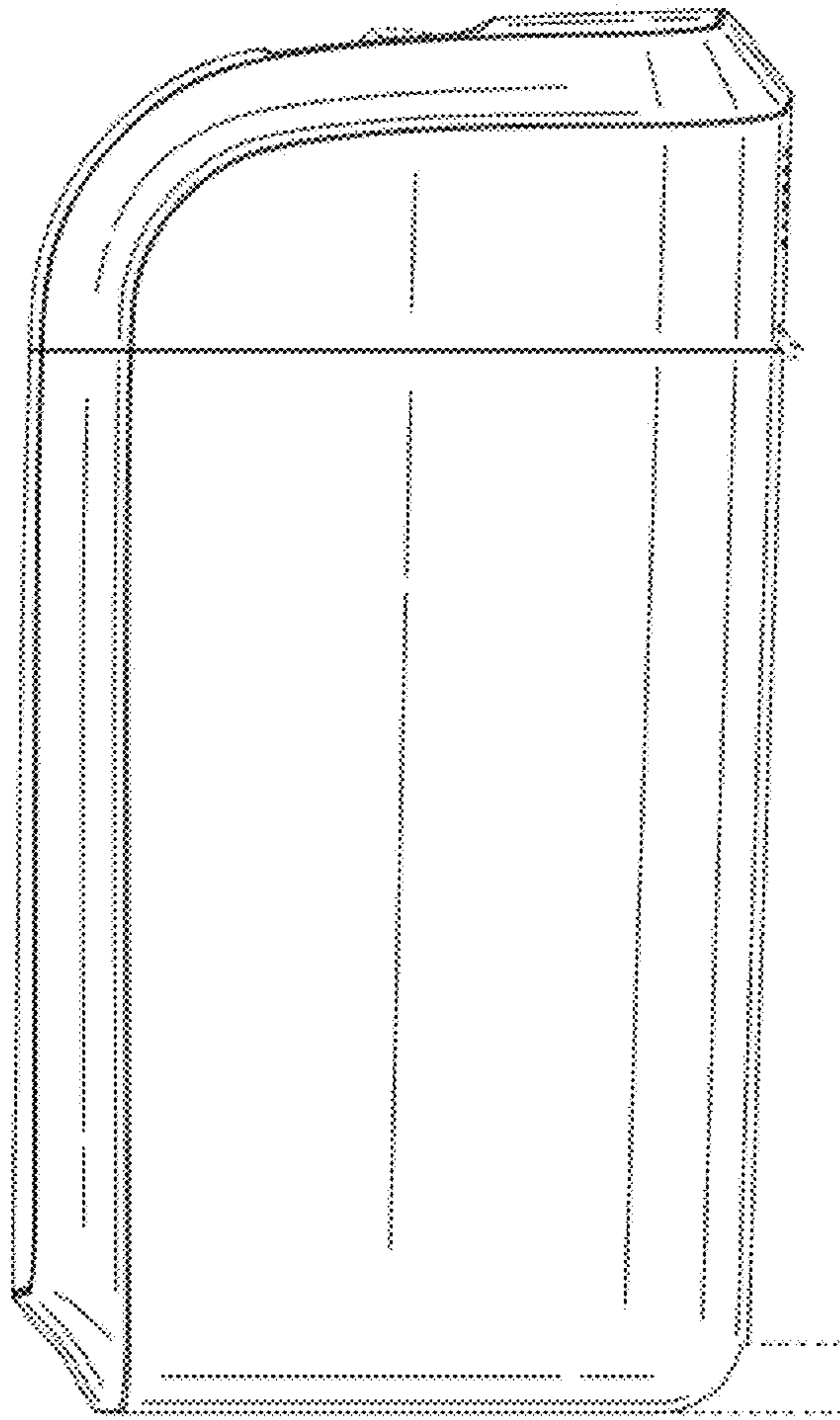


FIG. 11

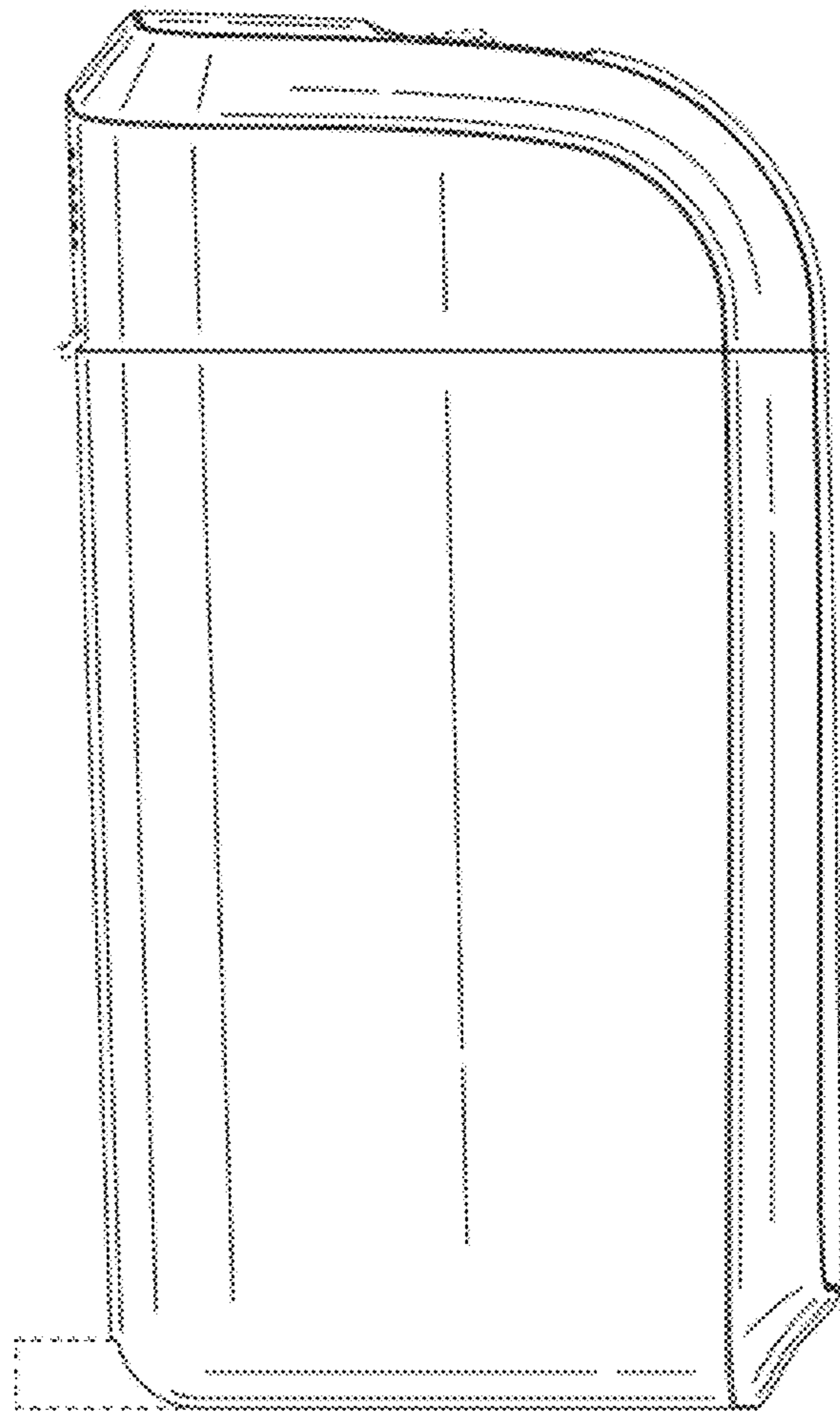


FIG. 12

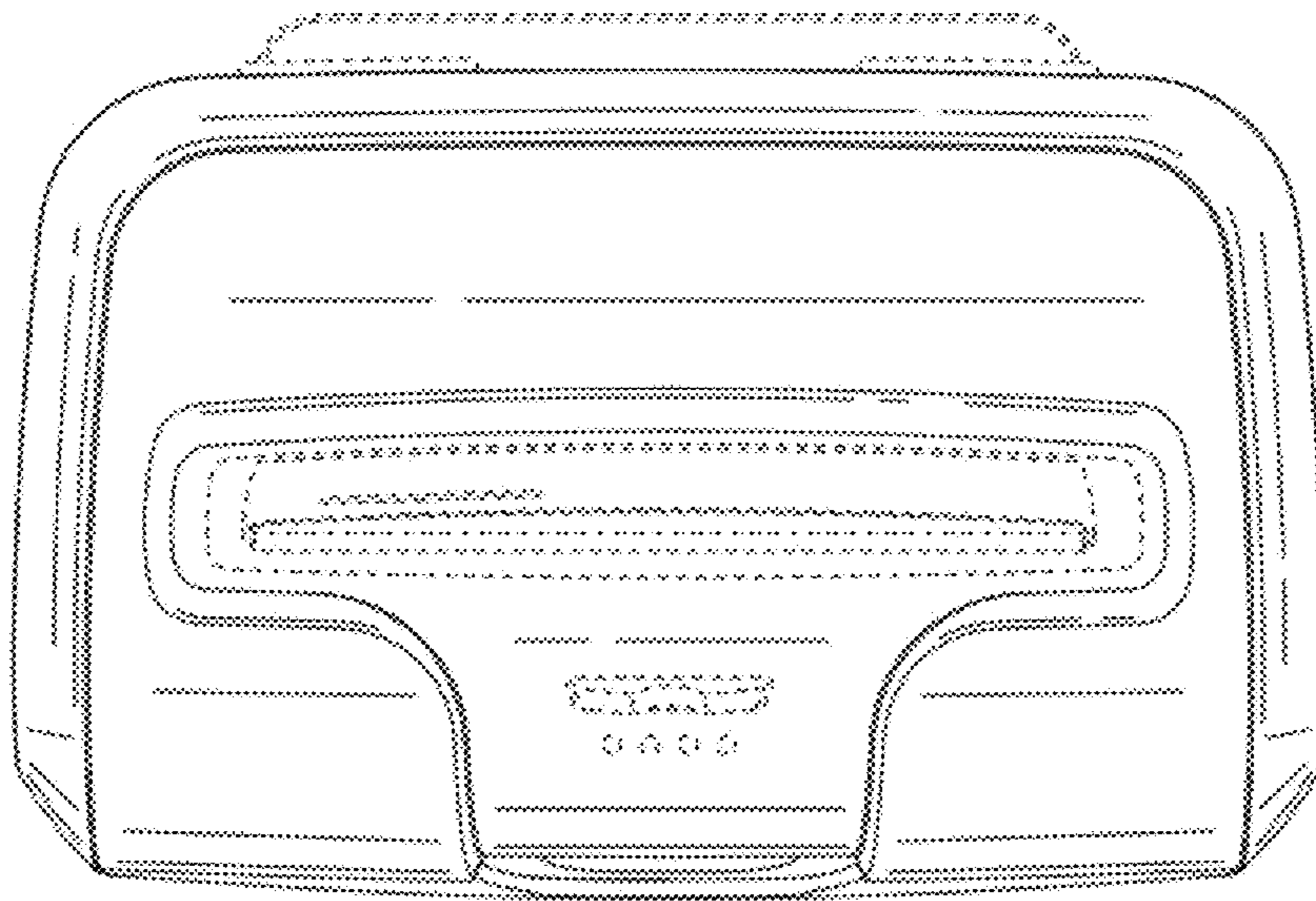


FIG. 13

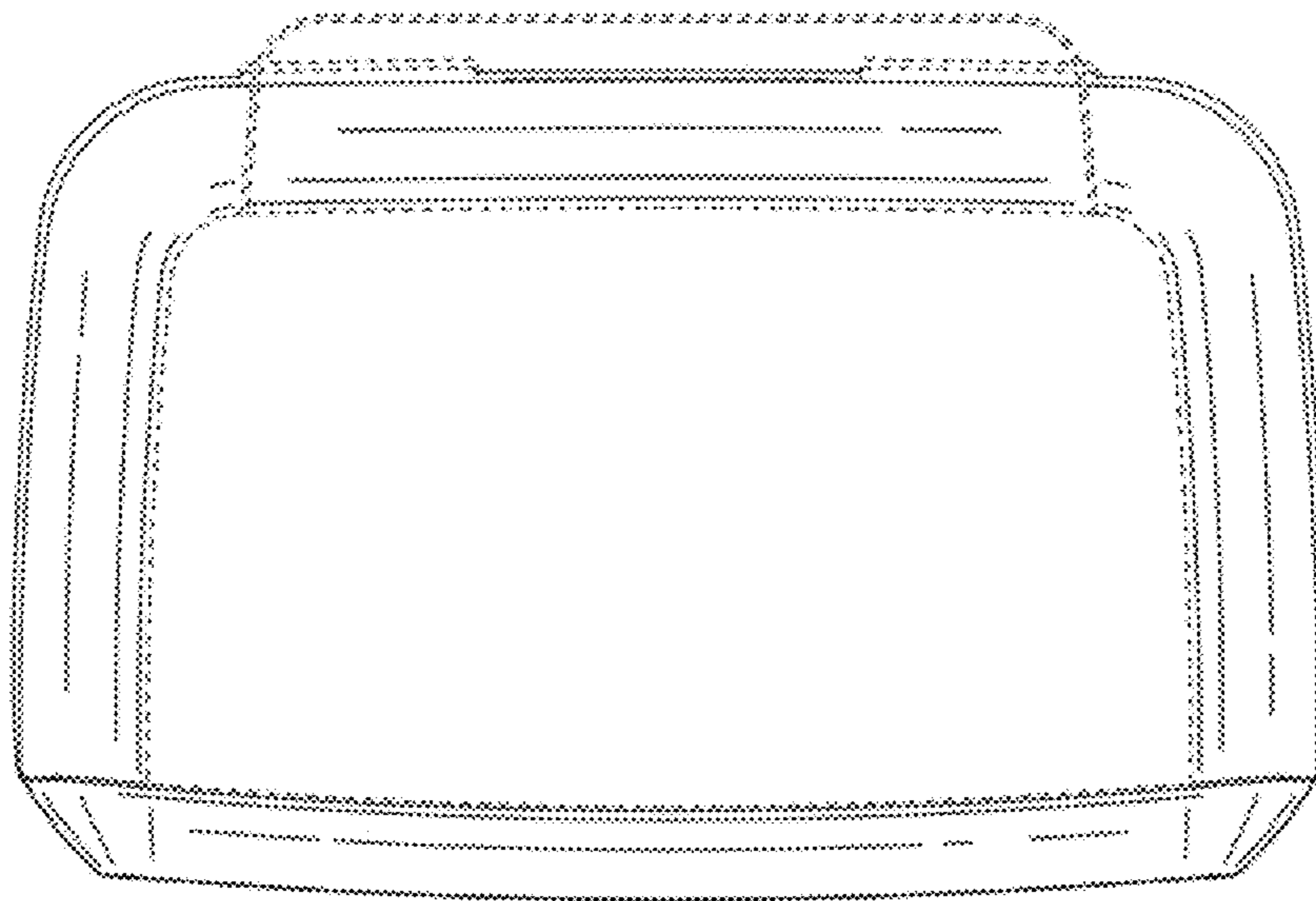


FIG. 14