



US00D677716S

(12) **United States Design Patent**  
**Zhang et al.**

(10) **Patent No.:** **US D677,716 S**  
(45) **Date of Patent:** **\*\* Mar. 12, 2013**

(54) **SHREDDER**

(75) Inventors: **Minwen Zhang**, Changzhou (CN);  
**Jianbo Qi**, Changzhou (CN); **Ziqiang Ding**, Changzhou (CN); **Ping Guo**, Changzhou (CN); **Licheng Zhou**, Changzhou (CN)

(73) Assignee: **Jiangsu New United Office Equipments Co., Ltd.**, Changzhou, Jiangsu Province (CN)

(\*\*) Term: **14 Years**

(21) Appl. No.: **29/405,000**

(22) Filed: **Oct. 27, 2011**

(30) **Foreign Application Priority Data**

Aug. 22, 2011 (CN) ..... 2011 3 0284506

(51) **LOC (9) Cl.** ..... **18-04**

(52) **U.S. Cl.** ..... **D18/34.5**

(58) **Field of Classification Search** ..... D18/34.3,  
D18/34.4, 34.5, 34.6, 34.9; D23/356, 359,  
D23/360, 364; D34/9; 241/100, 236, 30,  
241/36

See application file for complete search history.

(56) **References Cited**

U.S. PATENT DOCUMENTS

D498,253	S	*	11/2004	Lo	.....	D18/34.6
D544,904	S	*	6/2007	Beno et al.	.....	D18/34.5
D551,697	S	*	9/2007	Joachim et al.	.....	D18/34.5
D557,733	S	*	12/2007	Ho	.....	D18/34.6
D557,734	S	*	12/2007	Ho	.....	D18/34.6
D604,762	S	*	11/2009	Parratt et al.	.....	D18/34.9
D616,923	S	*	6/2010	Kim et al.	.....	D18/34.5
D616,924	S	*	6/2010	Kim et al.	.....	D18/34.5
2012/0111979	A1	*	5/2012	Jensen et al.	.....	241/25

\* cited by examiner

*Primary Examiner* — Bridget L Eland

(74) *Attorney, Agent, or Firm* — Buchanan Ingersoll & Rooney PC

(57) **CLAIM**

The ornamental design for a shredder, as shown and described.

**DESCRIPTION**

FIG. 1 is a front elevational view of a shredder showing our new design.

FIG. 2 is a rear elevational view thereof.

FIG. 3 is a left side elevational view thereof.

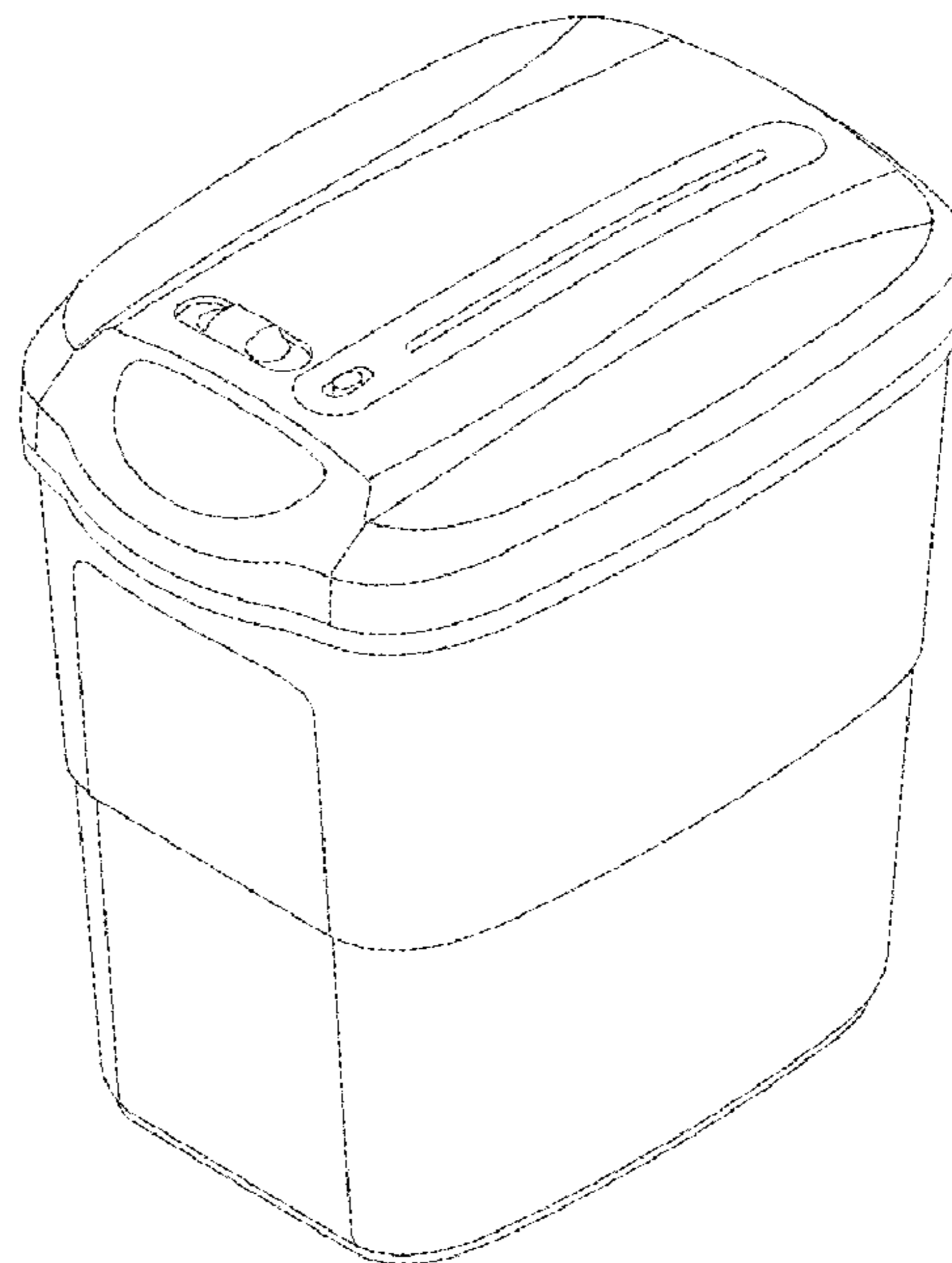
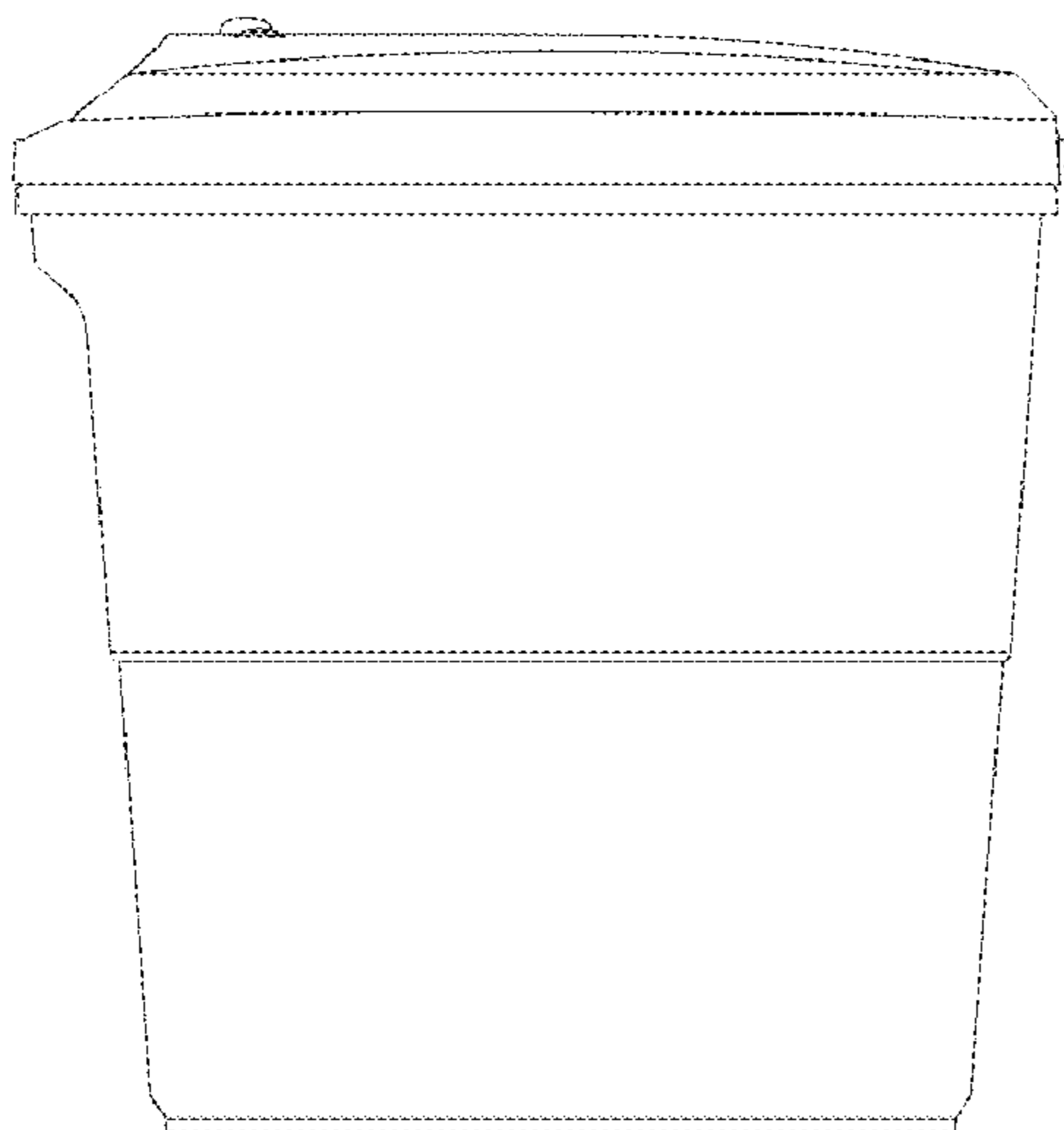
FIG. 4 is a right side elevational view thereof.

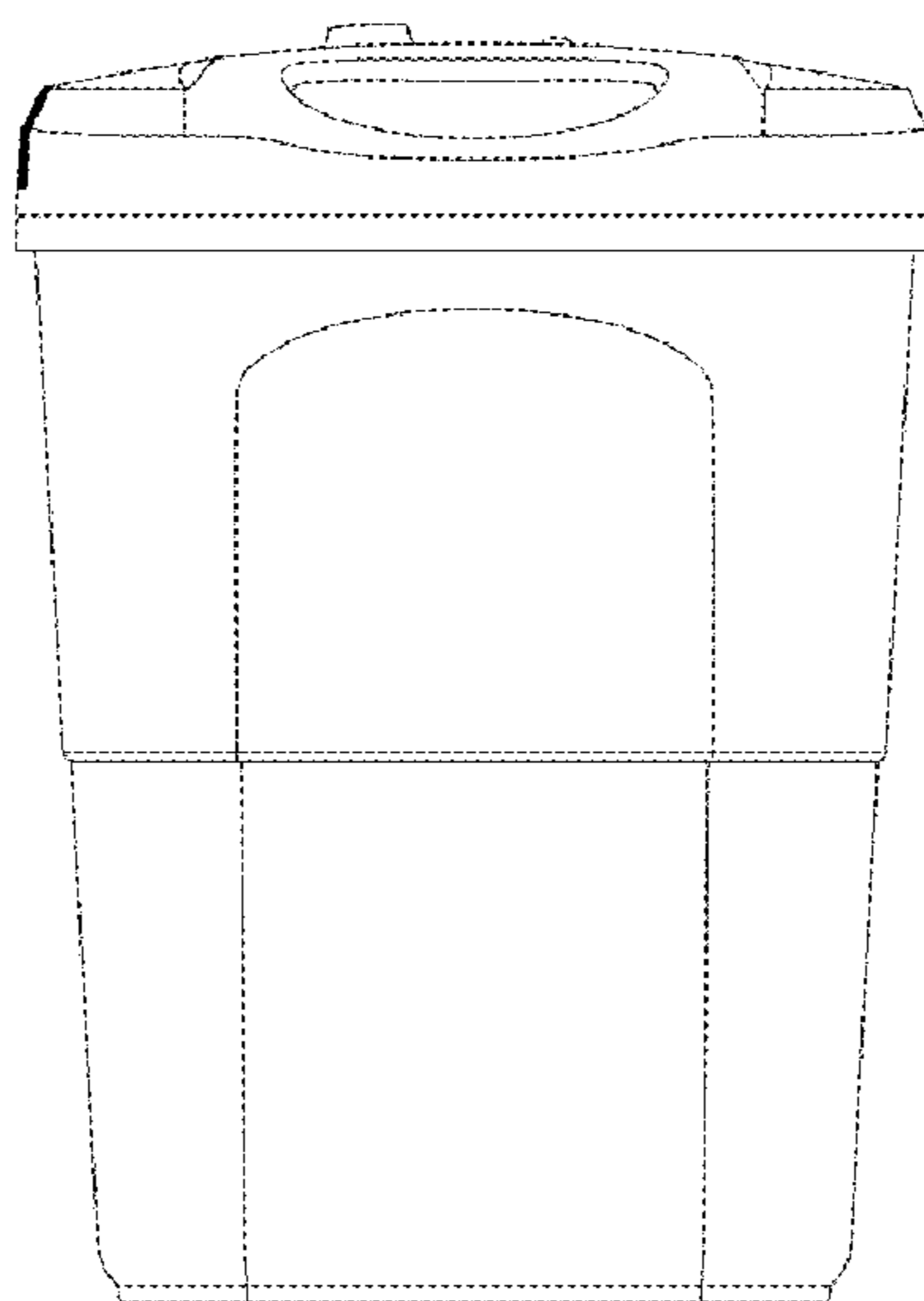
FIG. 5 is a top plan view thereof.

FIG. 6 is a bottom plan view thereof; and,

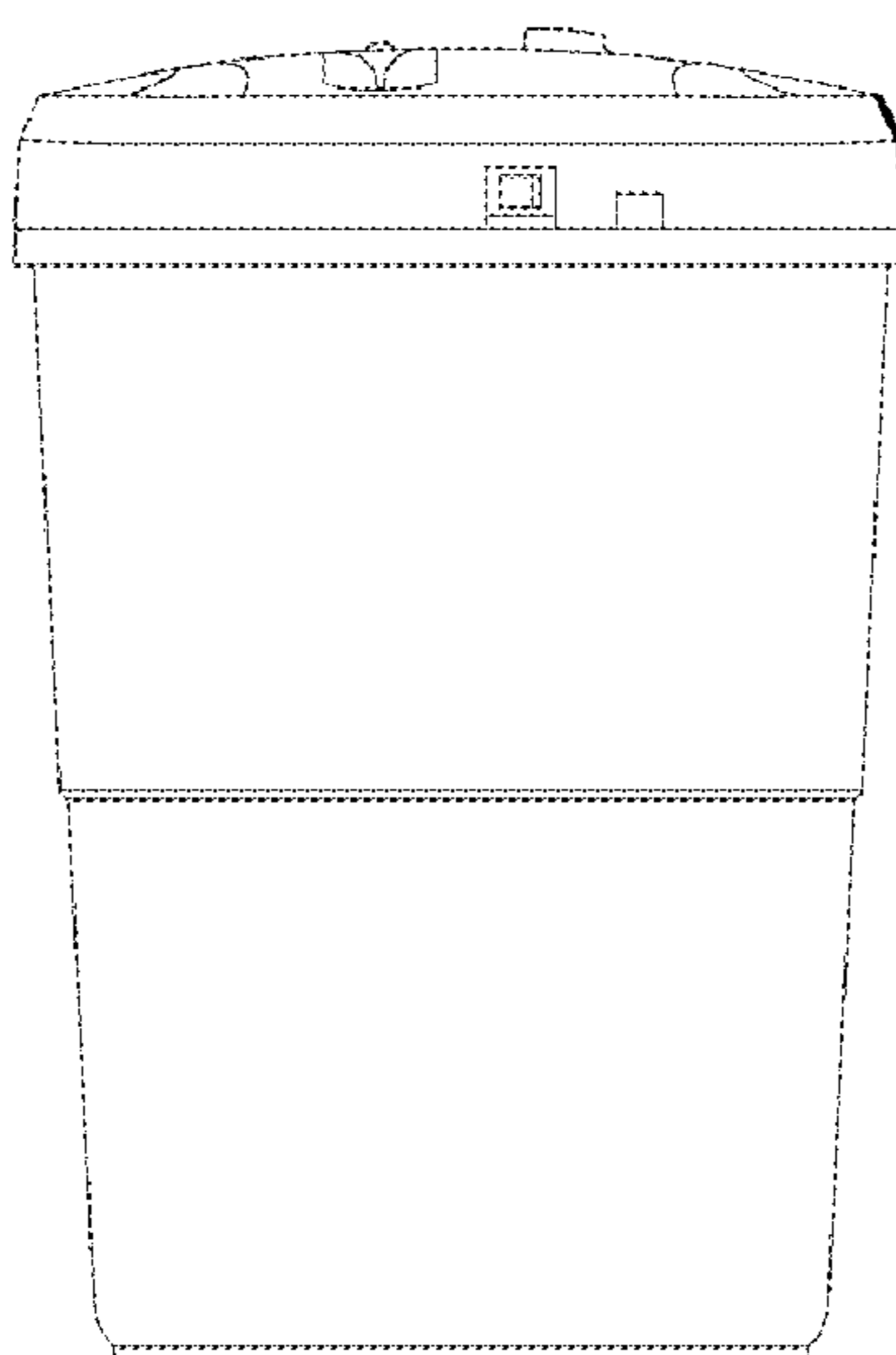
FIG. 7 is a perspective view thereof.

**1 Claim, 4 Drawing Sheets**

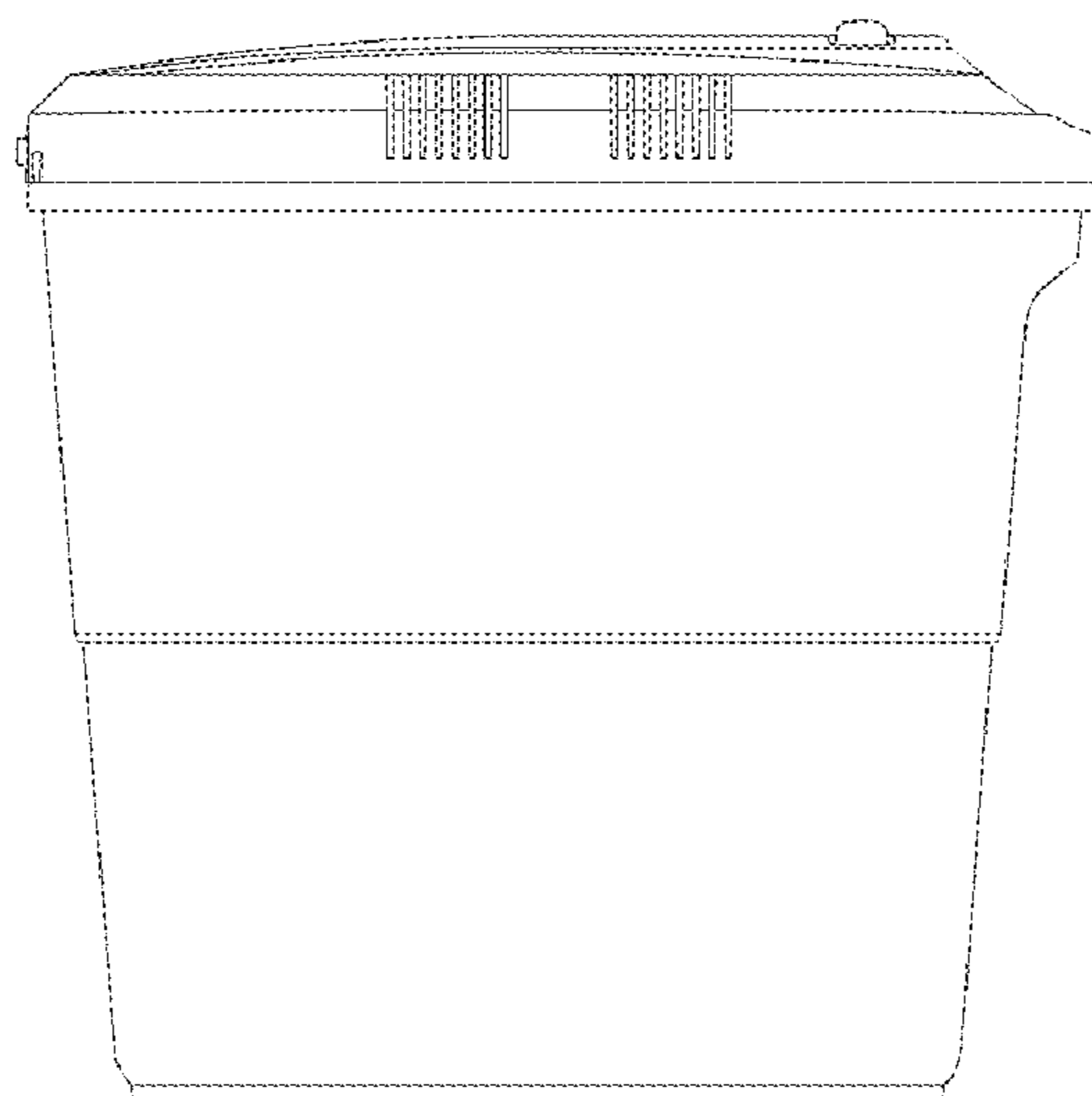




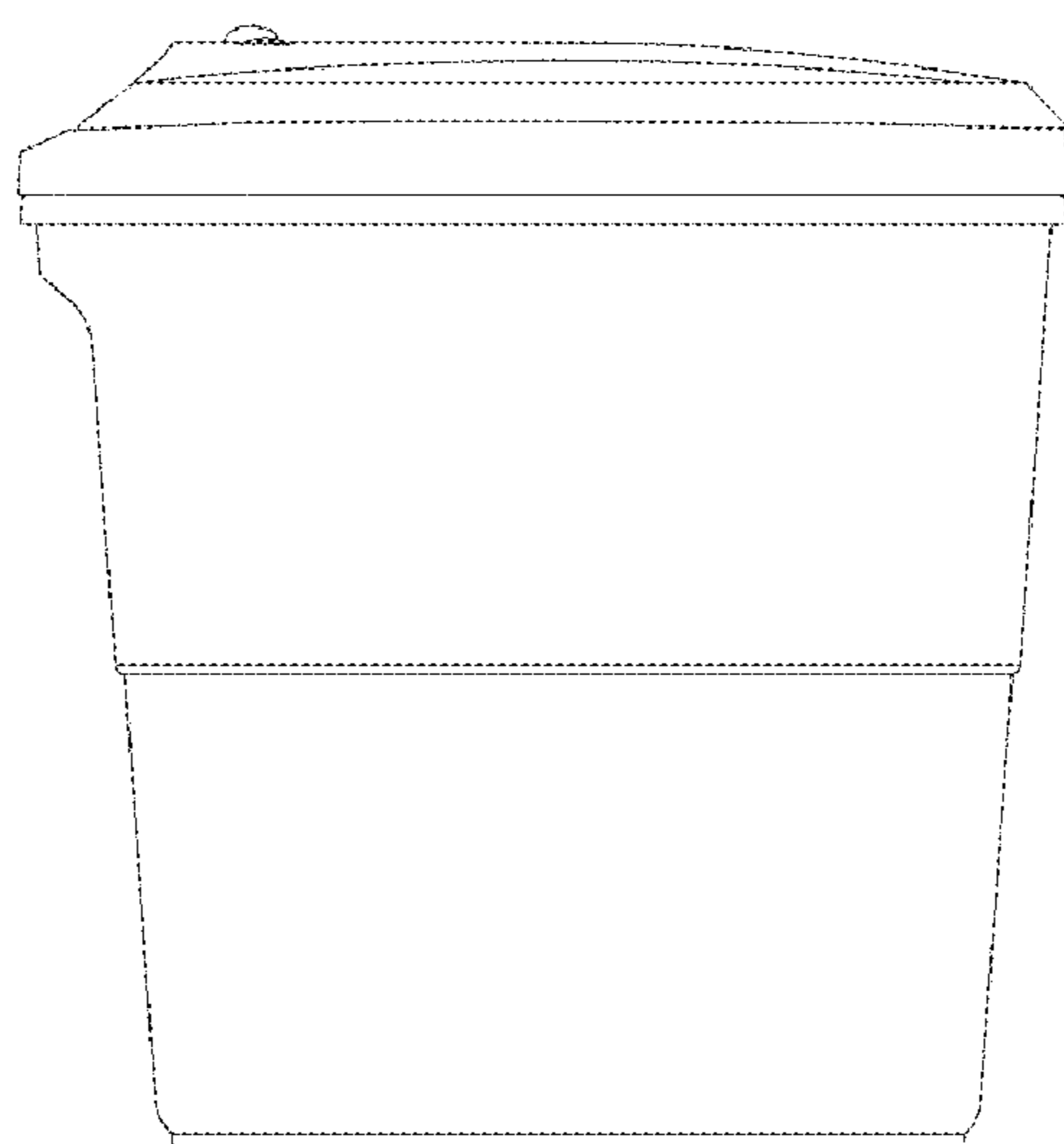
**FIG. 1**



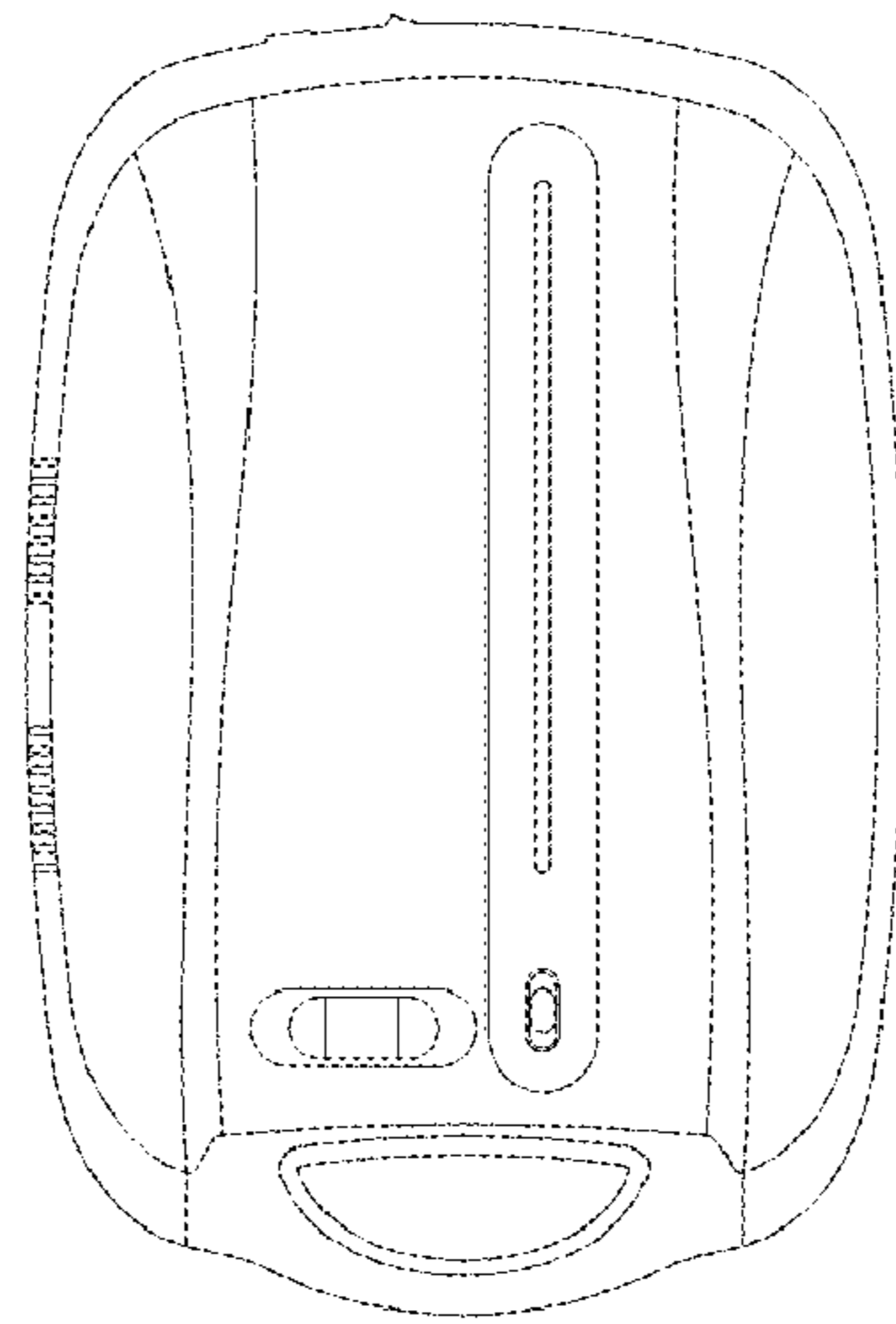
**FIG. 2**



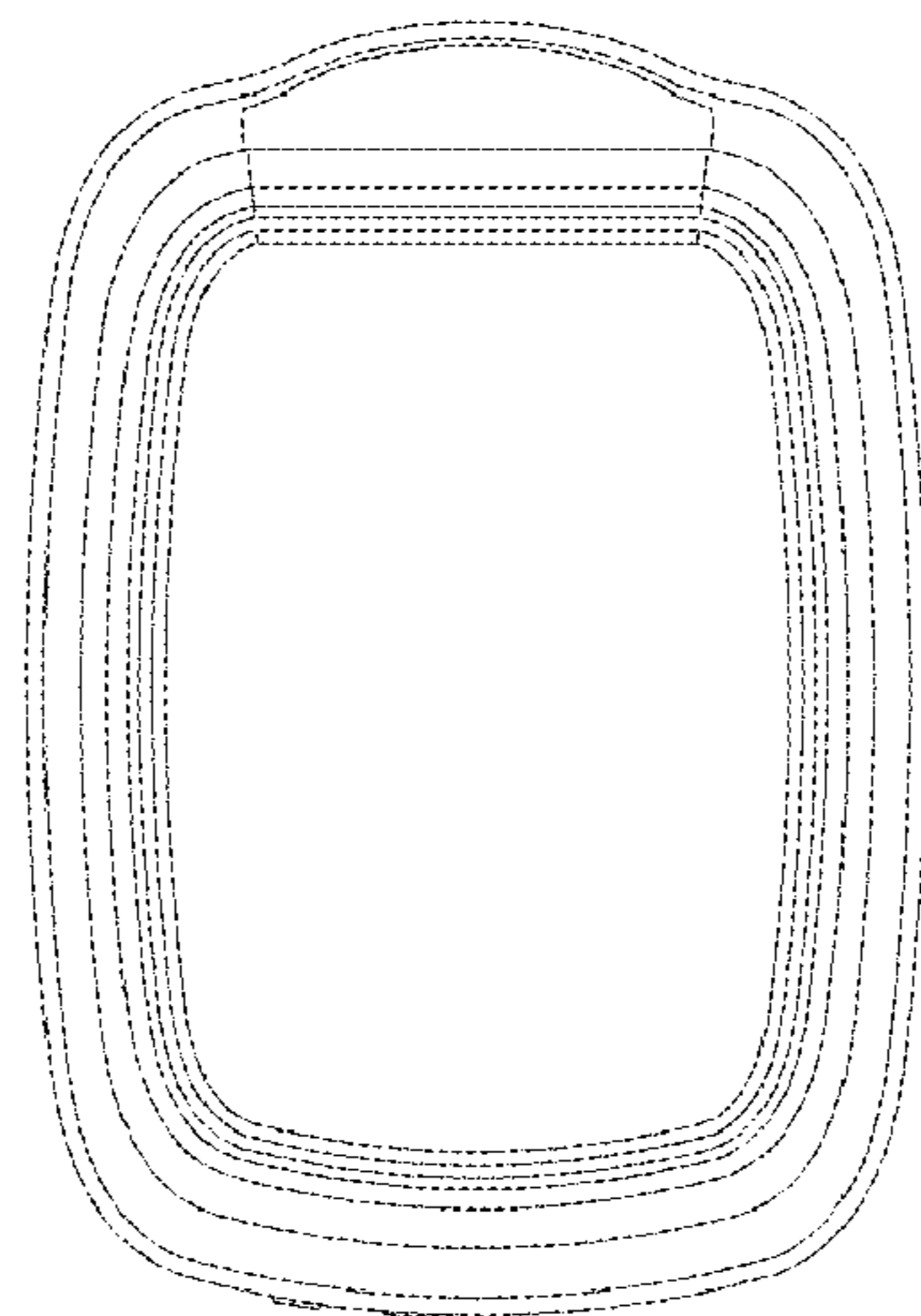
**FIG. 3**



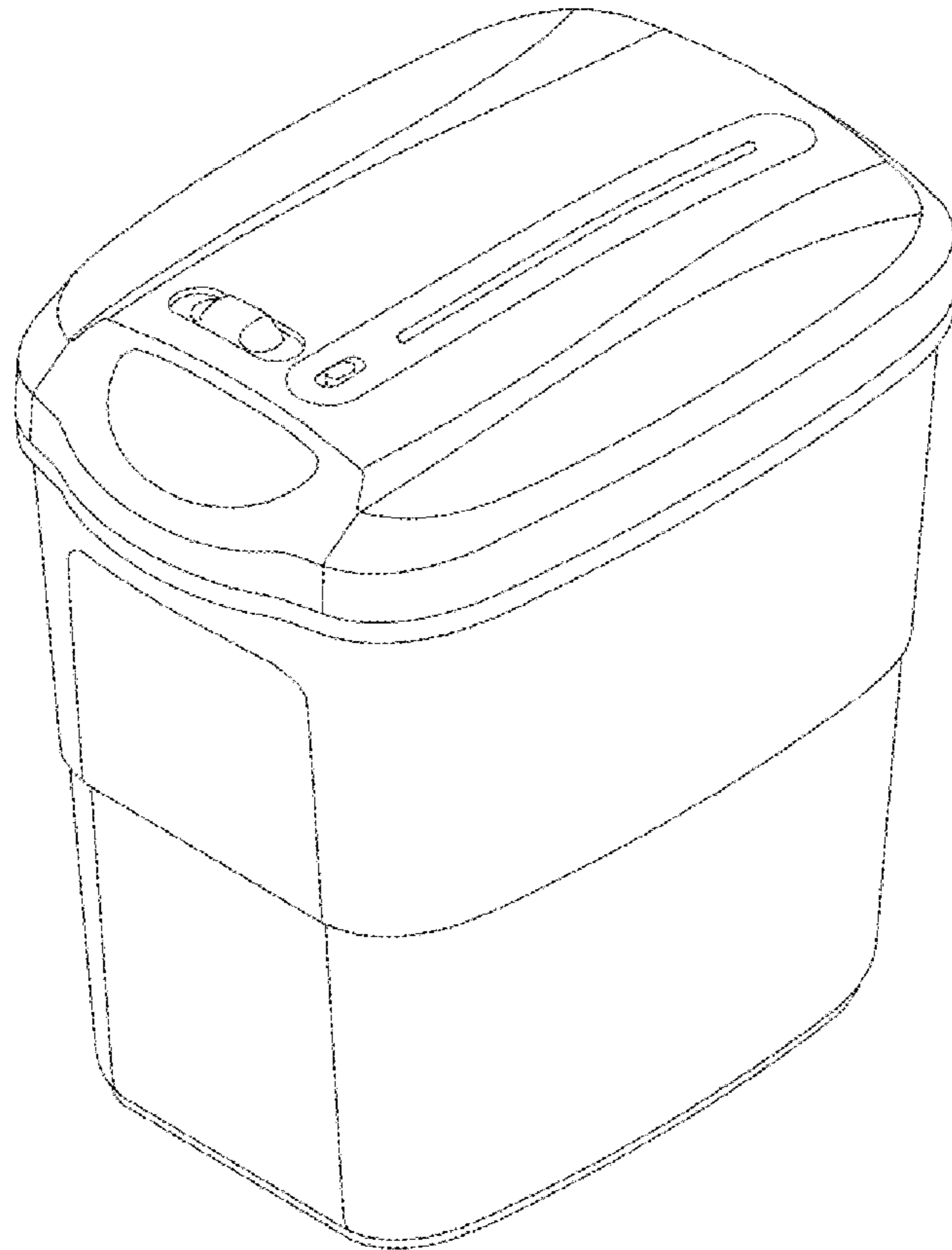
**FIG. 4**



**FIG. 5**



**FIG. 6**



**FIG. 7**