



US00D677712S

(12) **United States Design Patent**
Blanc

(10) **Patent No.:** **US D677,712 S**
(45) **Date of Patent:** **** Mar. 12, 2013**

(54) **GUITAR HEAD**

(75) Inventor: **Patrice Blanc**, Nantes (FR)

(73) Assignee: **Woodbrass.com**, Paris (FR)

(**) Term: **14 Years**

(21) Appl. No.: **29/427,083**

(22) Filed: **Jul. 13, 2012**

(30) **Foreign Application Priority Data**

Jan. 18, 2012 (FR) 2012 0268

(51) **LOC (9) Cl.** **17-03**

(52) **U.S. Cl.** **D17/20**

(58) **Field of Classification Search** D17/14,
D17/18, 19, 20; 84/173, 267, 290–293

See application file for complete search history.

(56) **References Cited**

U.S. PATENT DOCUMENTS

4,144,793	A *	3/1979	Soika et al.	84/291
D445,444	S *	7/2001	Wilson	D17/14
D561,817	S *	2/2008	D'Ambrosio	D17/18
D566,748	S *	4/2008	Rico	D17/20
7,544,872	B1 *	6/2009	Trussart	84/291

* cited by examiner

Primary Examiner — Rashida Johnson

(74) *Attorney, Agent, or Firm* — Norris McLaughlin & Marcus, P.A.

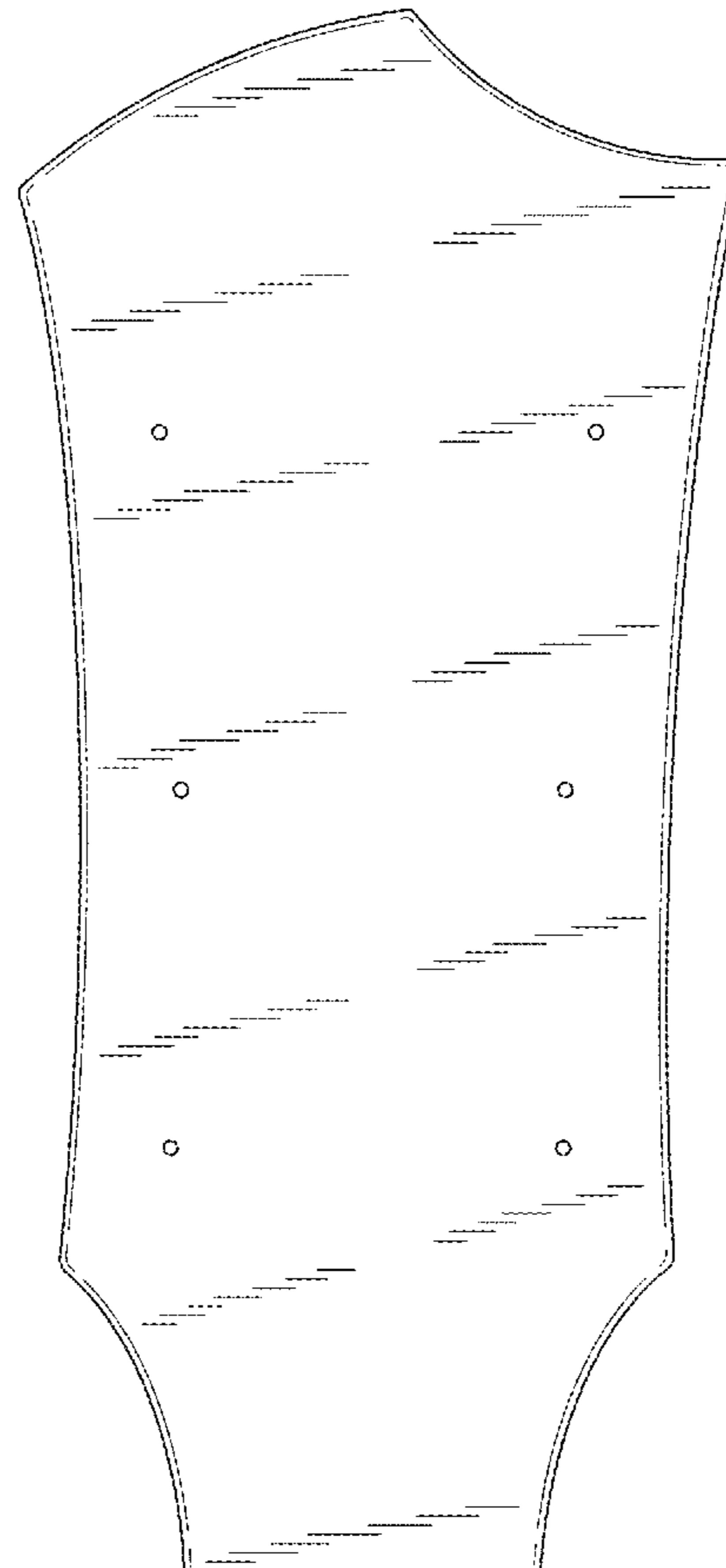
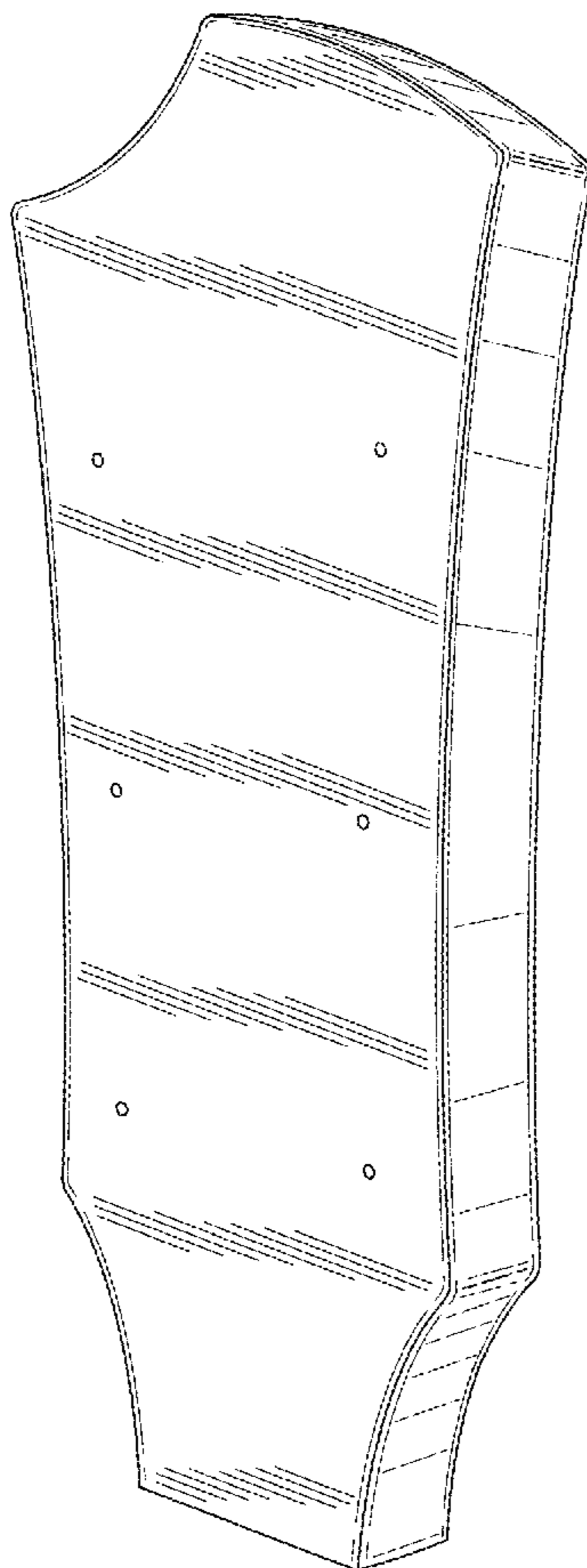
(57) **CLAIM**

The ornamental design for a guitar head, as shown and described.

DESCRIPTION

FIG. 1 is a front, left perspective view thereof;
FIG. 2 is a front elevational view thereof;
FIG. 3 is a rear elevational view thereof;
FIG. 4 is a left side view thereof;
FIG. 5 is right side view thereof; and,
FIG. 6 is a top view thereof.

1 Claim, 5 Drawing Sheets



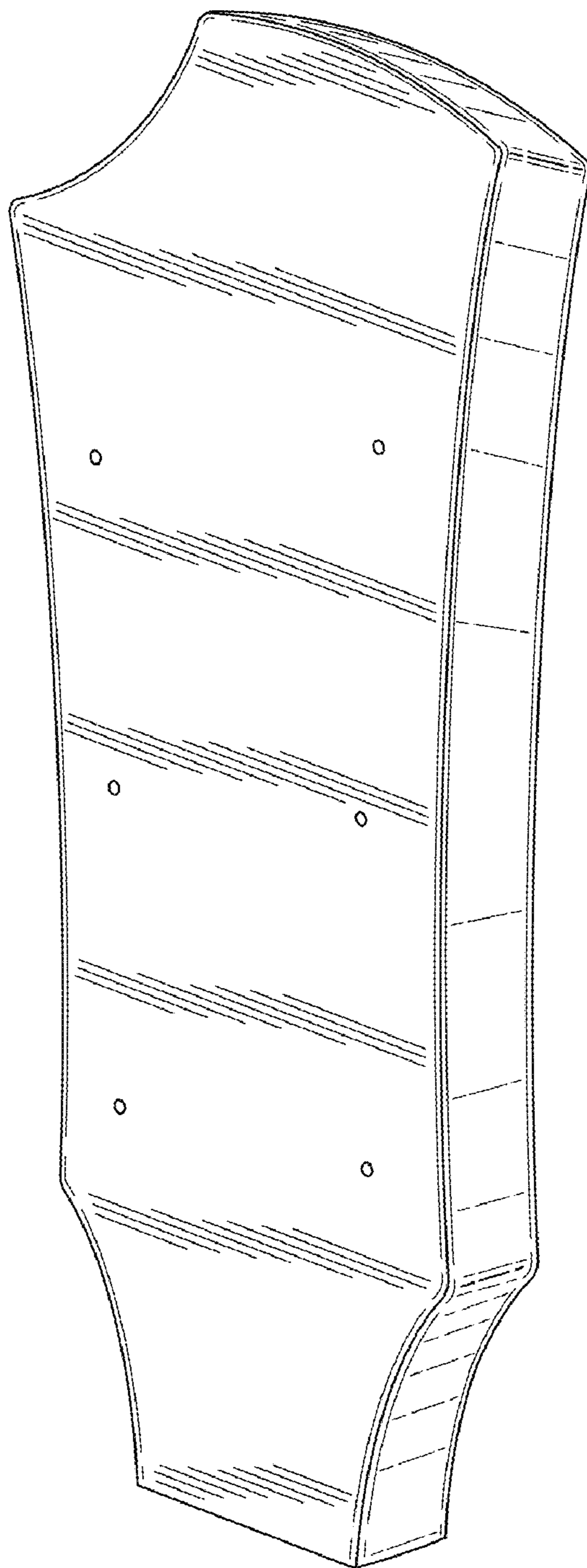


FIG. 1

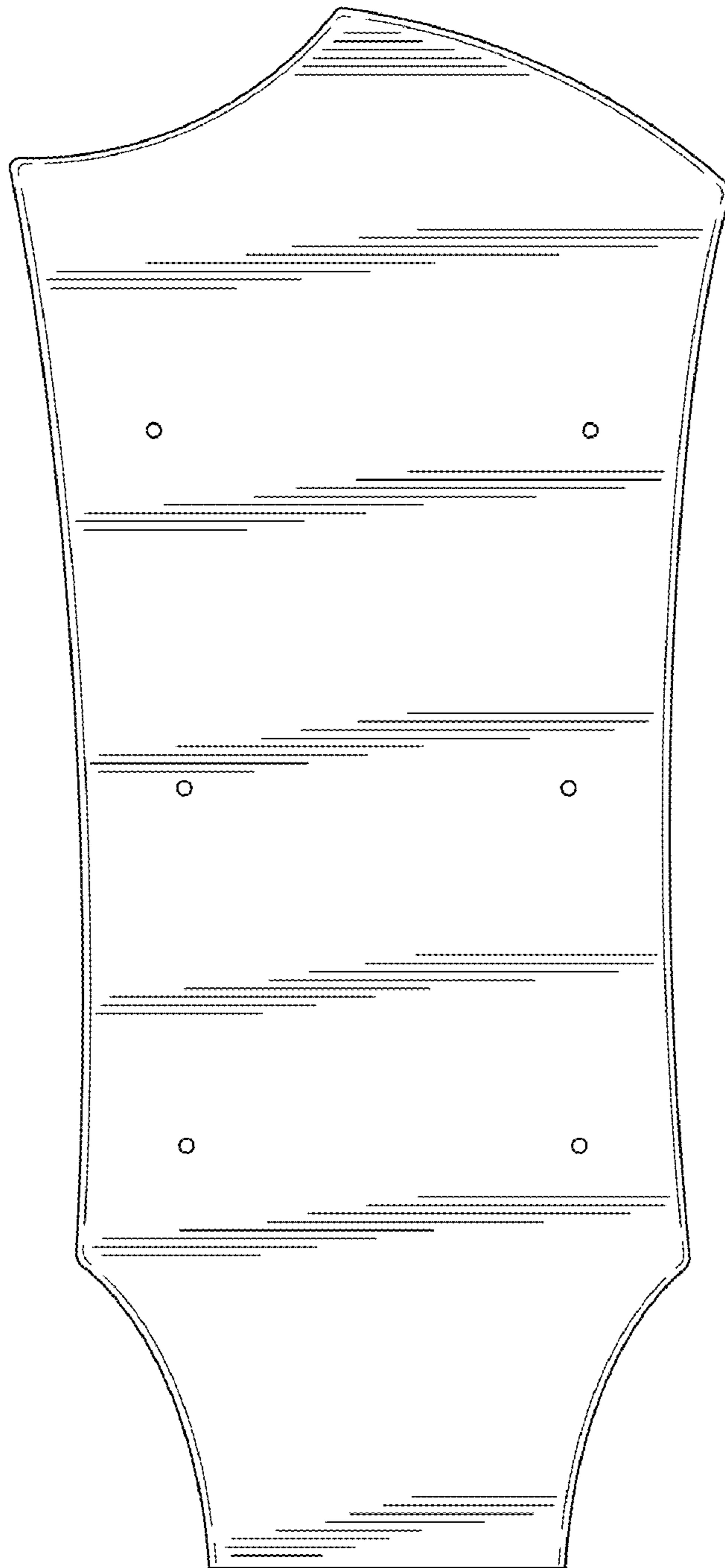


FIG. 2

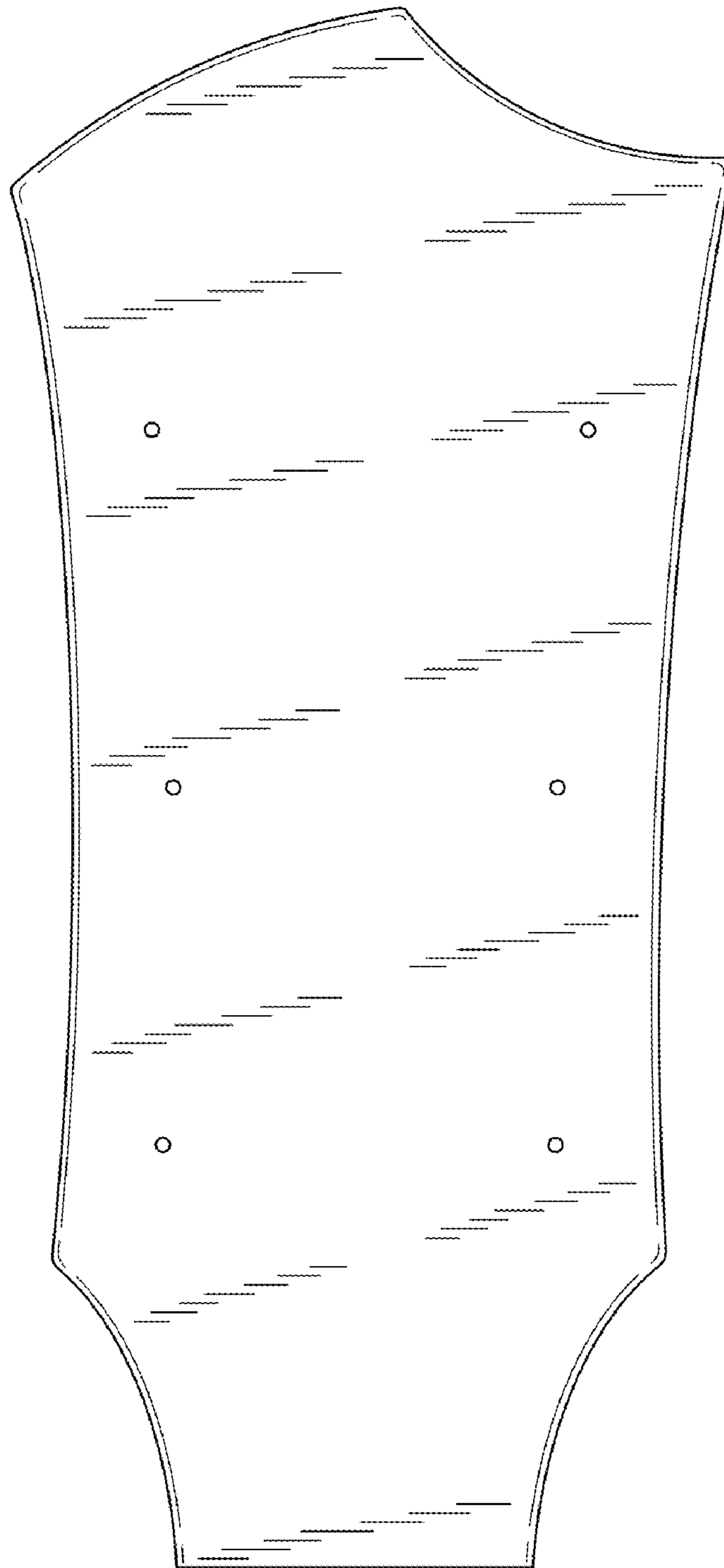


FIG. 3

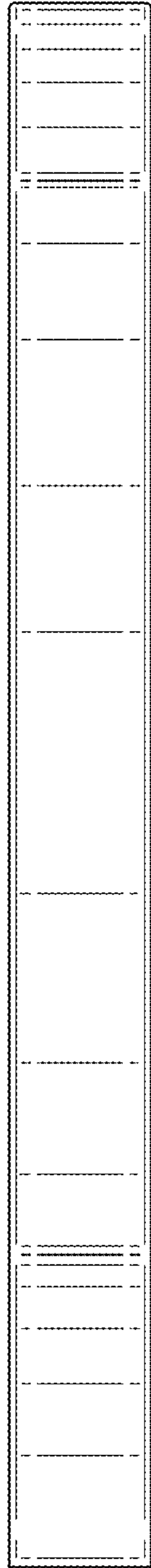


FIG. 4

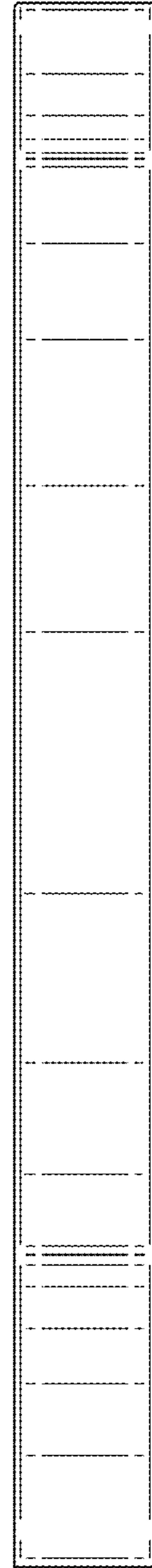


FIG. 5



FIG. 6