



US00D677709S

(12) **United States Design Patent**  
**Skeoch et al.**

(10) **Patent No.:** **US D677,709 S**  
(45) **Date of Patent:** **\*\* Mar. 12, 2013**

(54) **ELECTRONIC DEVICE MOUNT**

(75) Inventors: **James Steven Skeoch**, San Diego, CA (US); **Jeff Dorsett**, Ramona, CA (US); **Erich Scott Volkert**, Carlsbad, CA (US)

(73) Assignee: **AVAAK, Inc.**, San Diego, CA (US)

(\*\*) Term: **14 Years**

(21) Appl. No.: **29/404,964**

(22) Filed: **Oct. 27, 2011**

(51) **LOC (9) Cl.** ..... **16-05**

(52) **U.S. Cl.** ..... **D16/242**

(58) **Field of Classification Search** ..... D16/203,  
D16/214, 242; D12/400, 415; D14/251,  
D14/253, 434, 447; D6/512; 396/428; 312/223.1;  
361/679.01

See application file for complete search history.

(56) **References Cited**

U.S. PATENT DOCUMENTS

D511,352 S *	11/2005	Oliver et al.	.....	D16/203
D552,649 S *	10/2007	Logan et al.	.....	D16/202
D587,188 S *	2/2009	Mo	.....	D12/415
D592,205 S *	5/2009	O'Brien	.....	D14/253
D592,206 S *	5/2009	O'Brien	.....	D14/253
D627,624 S *	11/2010	Brassard	.....	D8/363
D638,008 S *	5/2011	Richter	.....	D14/253
D638,406 S *	5/2011	Chiang	.....	D14/224
7,967,262 B2 *	6/2011	O'Brien et al.	.....	248/205.5
D645,462 S *	9/2011	Choi	.....	D14/253

D654,054 S *	2/2012	Kohte et al.	.....	D14/217
2012/0049019 A1 *	3/2012	Chen	.....	248/206.2
2012/0114324 A1 *	5/2012	Volkert et al.	.....	396/428

\* cited by examiner

*Primary Examiner* — Philip S Hyder

*Assistant Examiner* — Darlington Ly

(74) *Attorney, Agent, or Firm* — Manuel F. de la Cerra

(57) **CLAIM**

The ornamental design for an electronic device mount, as shown and described.

**DESCRIPTION**

FIG. 1 is a perspective front view of the electronic device mount, with an electronic device attached.

FIG. 2 is a perspective front view of the electronic device mount, with the electronic device unattached.

FIG. 3 is a left side view of the electronic device mount, with an electronic device attached.

FIG. 4 is a top view of the electronic device mount, with an electronic device attached.

FIG. 5 is a bottom view of the electronic device mount, with an electronic device attached.

FIG. 6 is a bottom view of the electronic device mount, with an electronic device unattached.

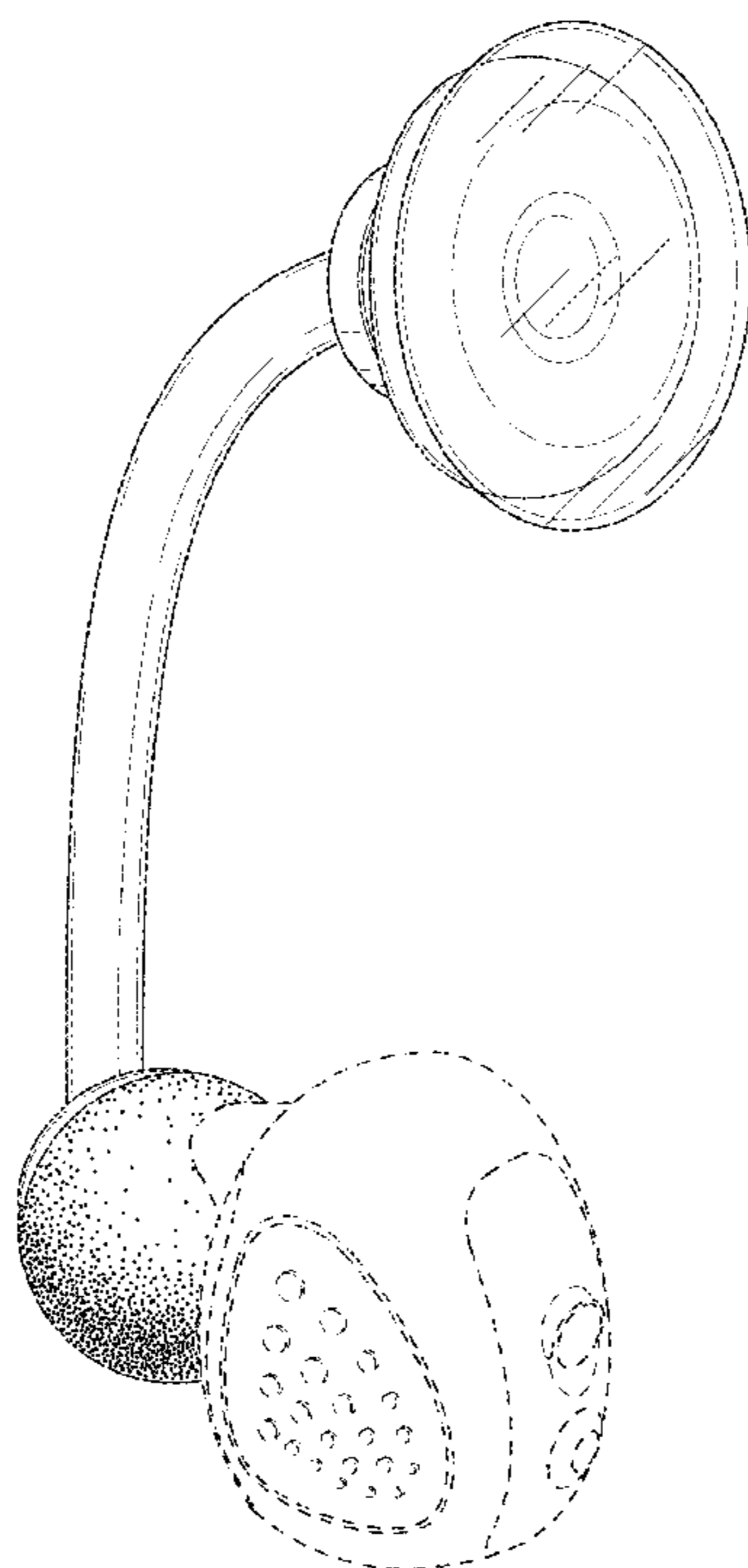
FIG. 7 is a rear view of the electronic device mount, with an electronic device attached.

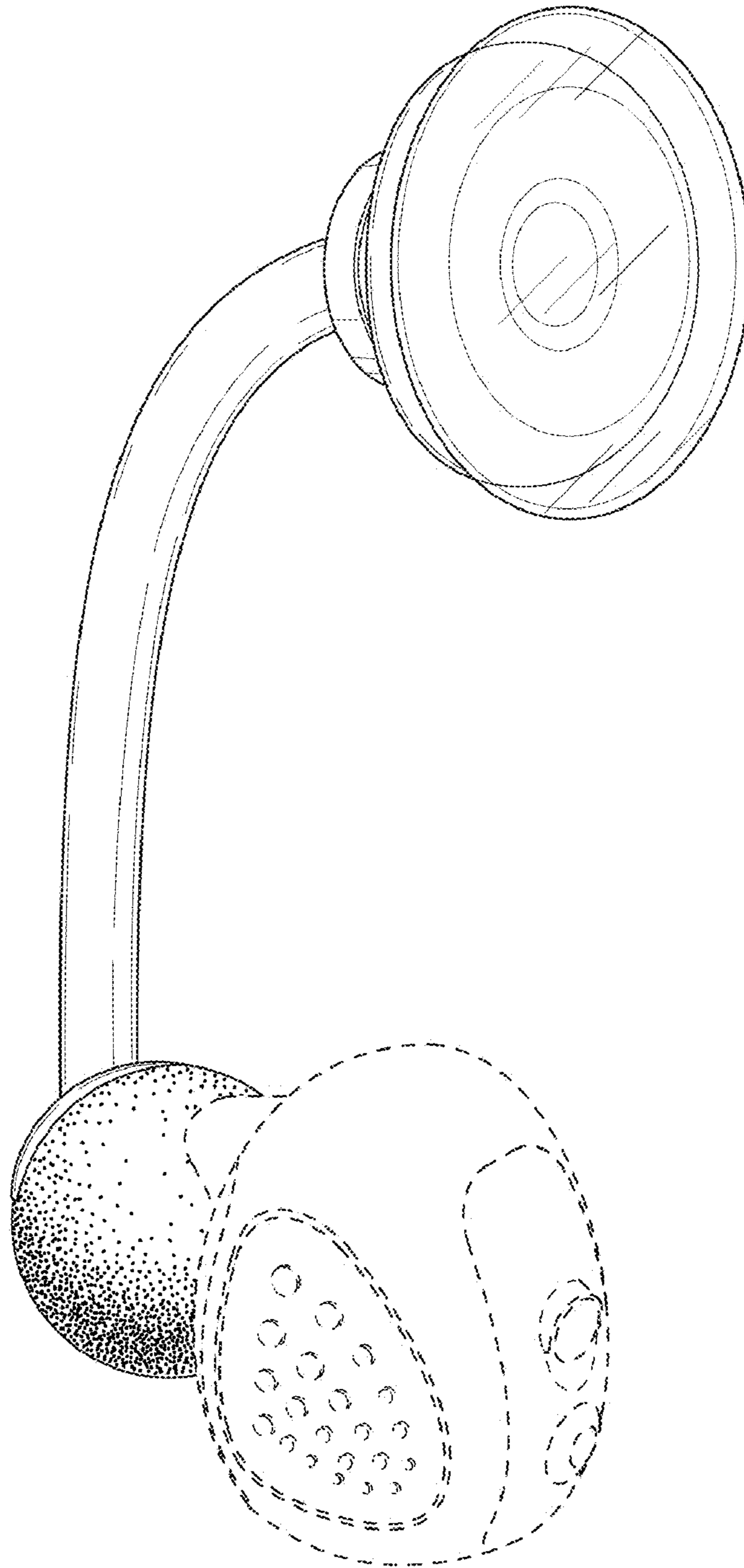
FIG. 8 is a front view of the electronic device mount, an electronic device attached; and,

FIG. 9 is a front view of the electronic device mount, with an electronic device unattached.

The broken lines illustrate environmental structure for an electronic device that forms no part of the claimed design.

**1 Claim, 6 Drawing Sheets**





*Fig. 1*

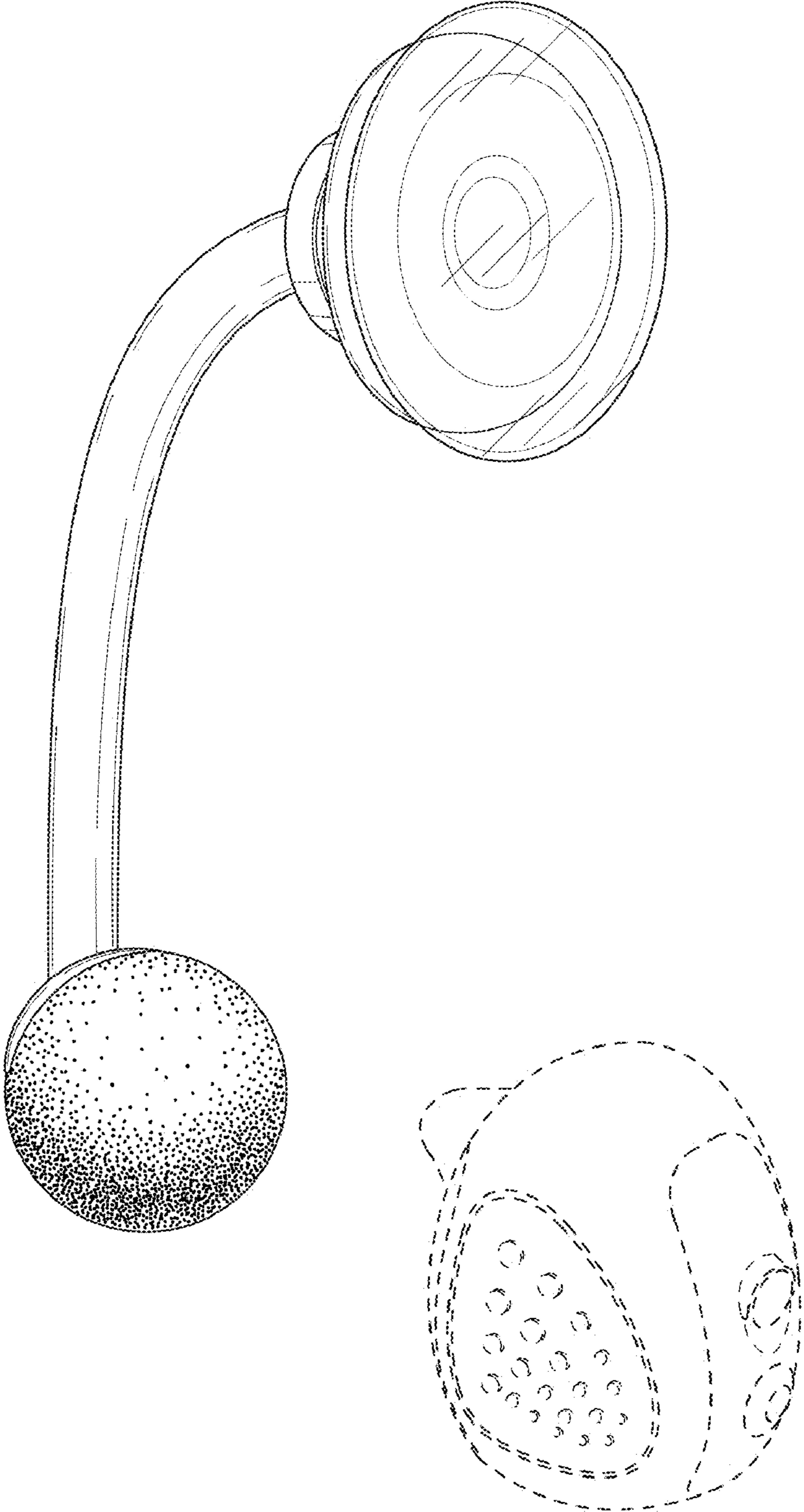


Fig. 2

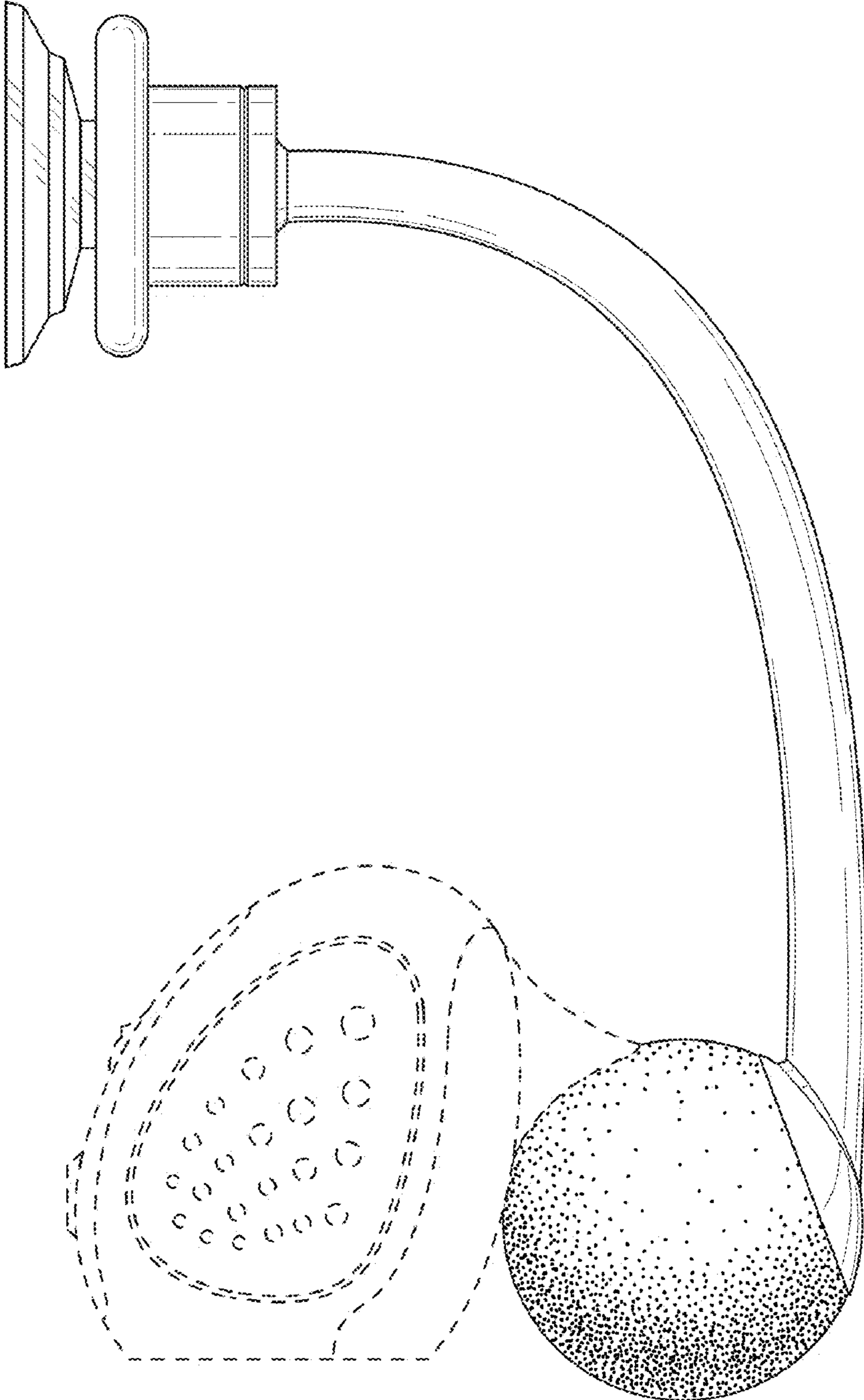


Fig. 3



Fig. 4

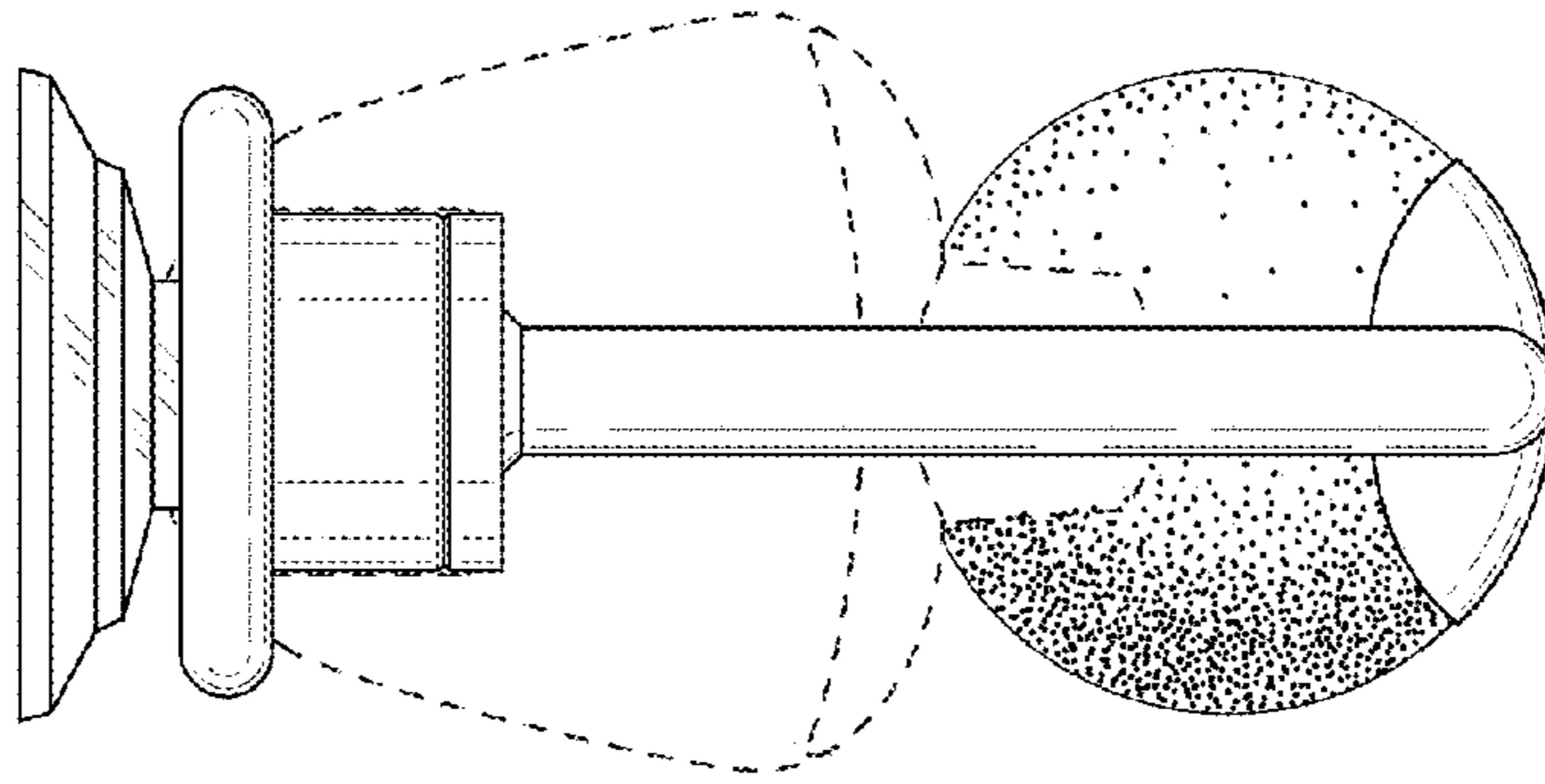


Fig. 5

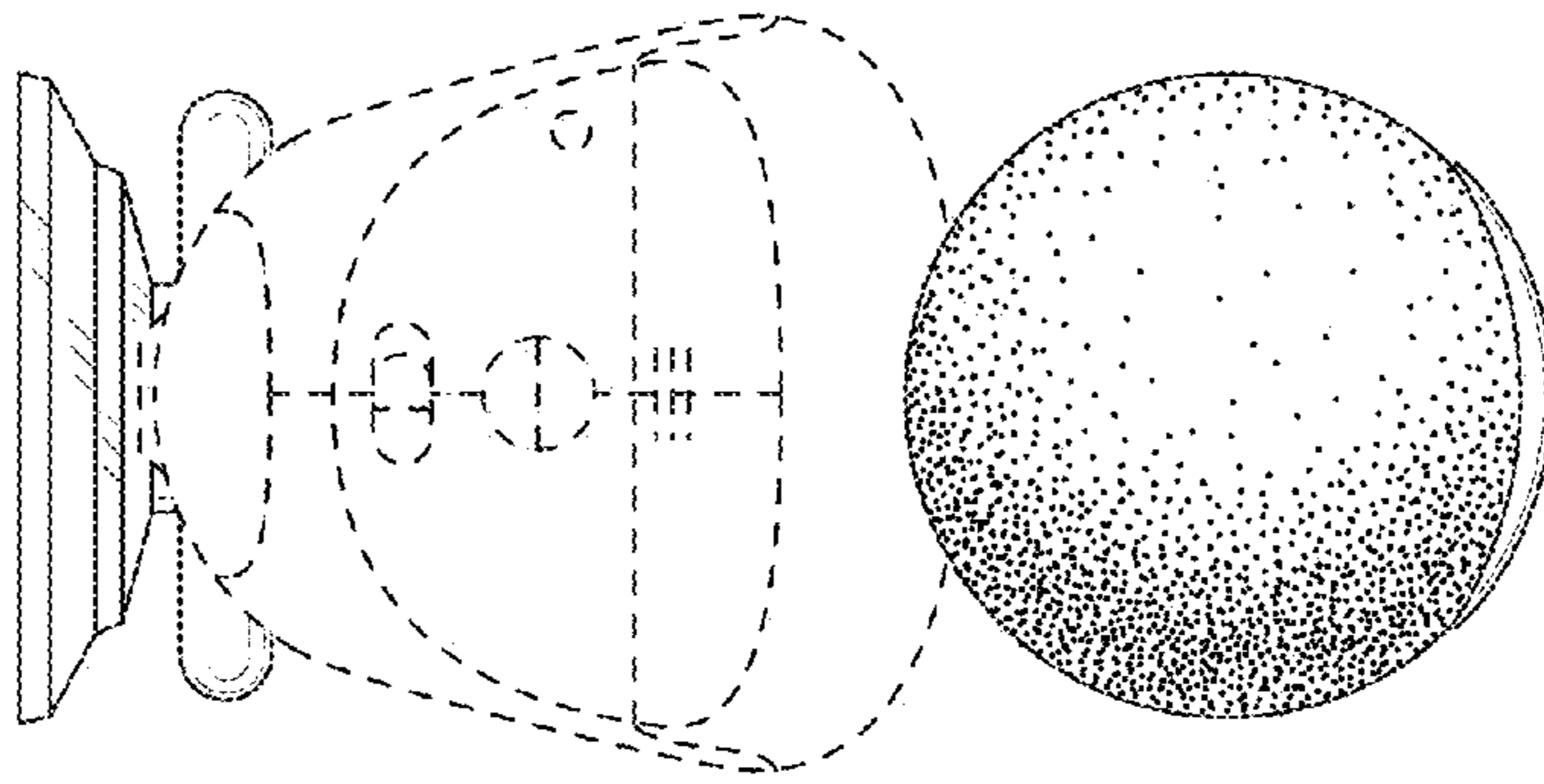
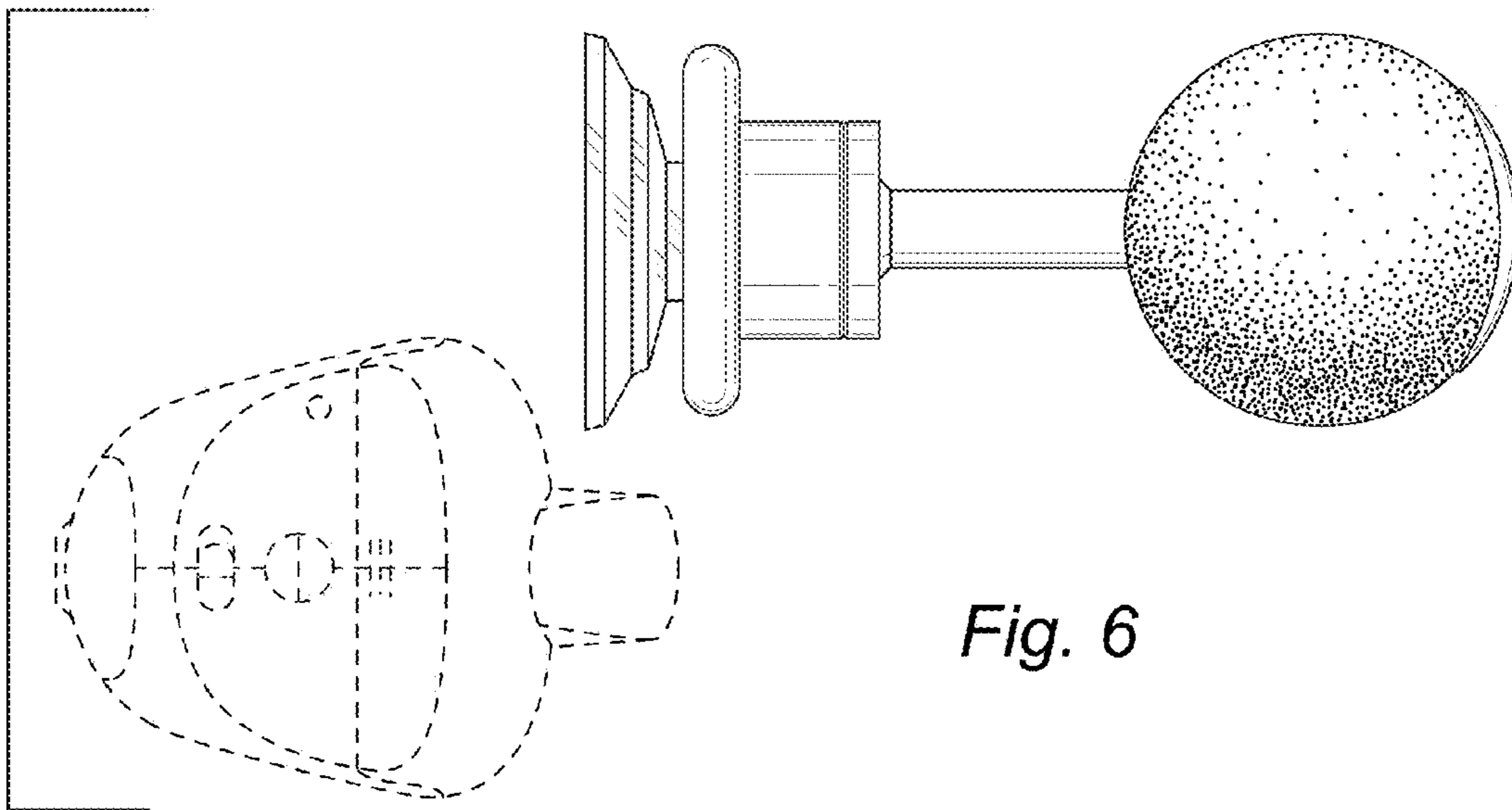
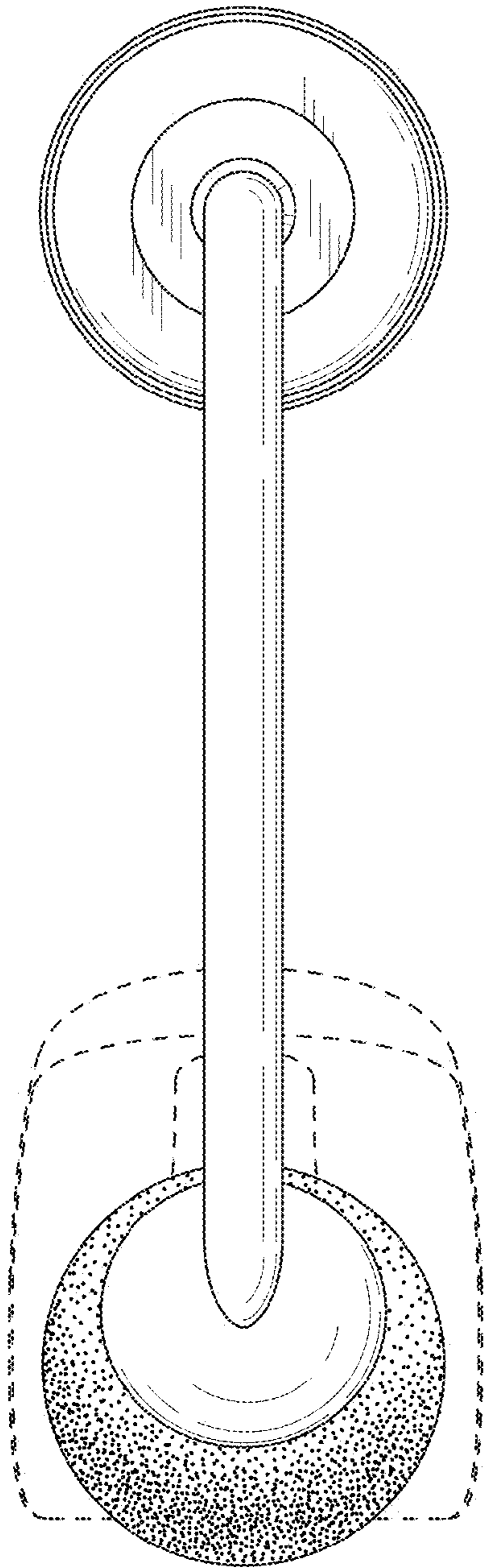
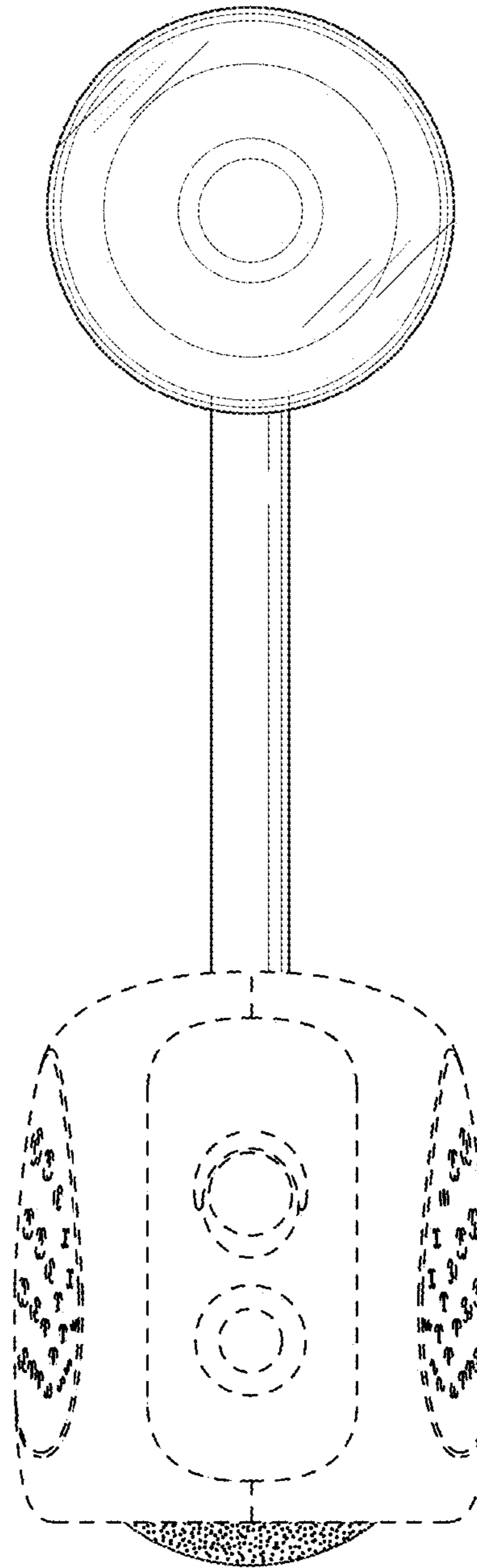


Fig. 6

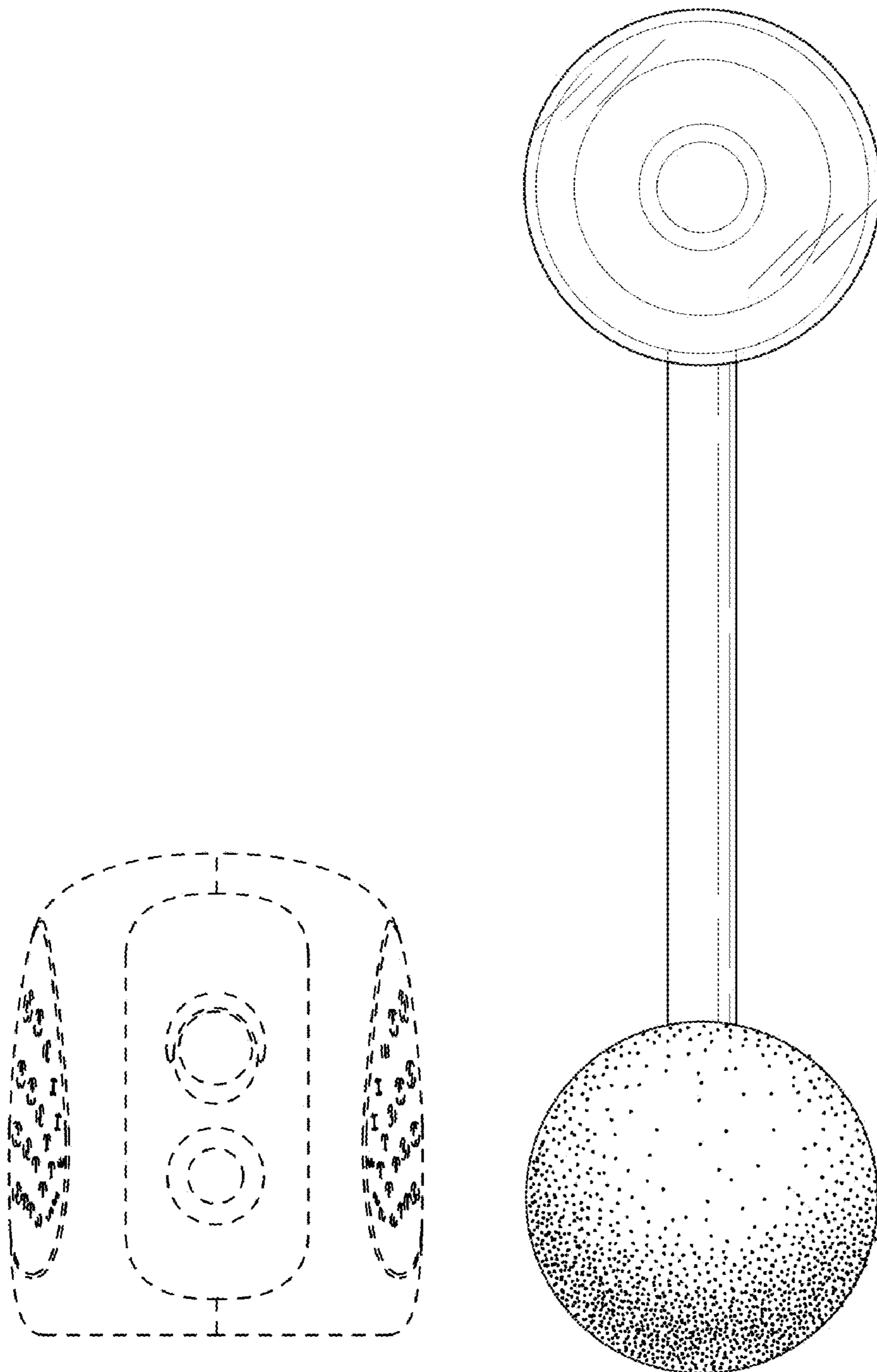




*Fig. 7*



*Fig. 8*



*Fig. 9*