



US00D677708S

(12) **United States Design Patent**  
**Zhan**

(10) **Patent No.:** **US D677,708 S**  
(45) **Date of Patent:** **\*\* Mar. 12, 2013**

(54) **LED SPOT LIGHT FOR CAMERA WITH BATTERY SOCKET**

(76) Inventor: **Xiao-Ming Zhan**, Fujian (CN)

(\*\*) Term: **14 Years**

(21) Appl. No.: **29/375,882**

(22) Filed: **Sep. 29, 2010**

(30) **Foreign Application Priority Data**

Apr. 12, 2010 (CN) ..... 2010 3 0138791

(51) **LOC (9) Cl.** ..... **16-05**

(52) **U.S. Cl.** ..... **D16/239; D26/24; D26/37**

(58) **Field of Classification Search** ..... D16/239,  
D16/237, 200; D26/1, 120-124

See application file for complete search history.

(56) **References Cited**

**U.S. PATENT DOCUMENTS**

D392,659 S *	3/1998	Takano	.....	D16/202
D416,863 S *	11/1999	Sato et al.	.....	D13/147
D506,273 S *	6/2005	Matsui et al.	.....	D26/1
D555,103 S *	11/2007	Iino et al.	.....	D13/147
D561,384 S *	2/2008	Hukle et al.	.....	D26/120
D630,785 S *	1/2011	Kim et al.	.....	D26/63
D631,179 S *	1/2011	Kim et al.	.....	D26/63
D645,594 S *	9/2011	Grawe	.....	D26/63
D647,122 S *	10/2011	Jannard et al.	.....	D16/237
D659,867 S *	5/2012	Zhan	.....	D26/37
2010/0014289 A1 *	1/2010	Thomas et al.	.....	362/235

\* cited by examiner

*Primary Examiner* — Cynthia Underwood

(57) **CLAIM**

The ornamental design for a LED spot light for camera with battery socket, as shown and described.

**DESCRIPTION**

FIG. 1 is a perspective view of the LED spot light of the LED spot light for camera with battery socket shown separated from the battery socket for ease of disclosure;

FIG. 2 is a front view of FIG. 1;

FIG. 3 is a rear view of FIG. 1;

FIG. 4 is a left plan view of FIG. 1;

FIG. 5 is a right plan view of FIG. 1;

FIG. 6 is a top view of FIG. 1;

FIG. 7 is a bottom view of FIG. 1;

FIG. 8 is a perspective view of the battery socket of the LED spot light for camera with battery socket shown separated from the LED spot light for ease of disclosure;

FIG. 9 is a front view of FIG. 8;

FIG. 10 is a rear view of FIG. 8;

FIG. 11 is a left plan view of FIG. 8;

FIG. 12 is a right plan view of FIG. 8;

FIG. 13 is a top view of FIG. 8;

FIG. 14 is a bottom view of FIG. 8;

FIG. 15 is a perspective view showing a LED spot light for camera with battery socket of my present design,

FIG. 16 is a front view of FIG. 15;

FIG. 17 is a rear view of FIG. 15;

FIG. 18 is a left plan view of FIG. 15;

FIG. 19 is a right plan view of FIG. 15;

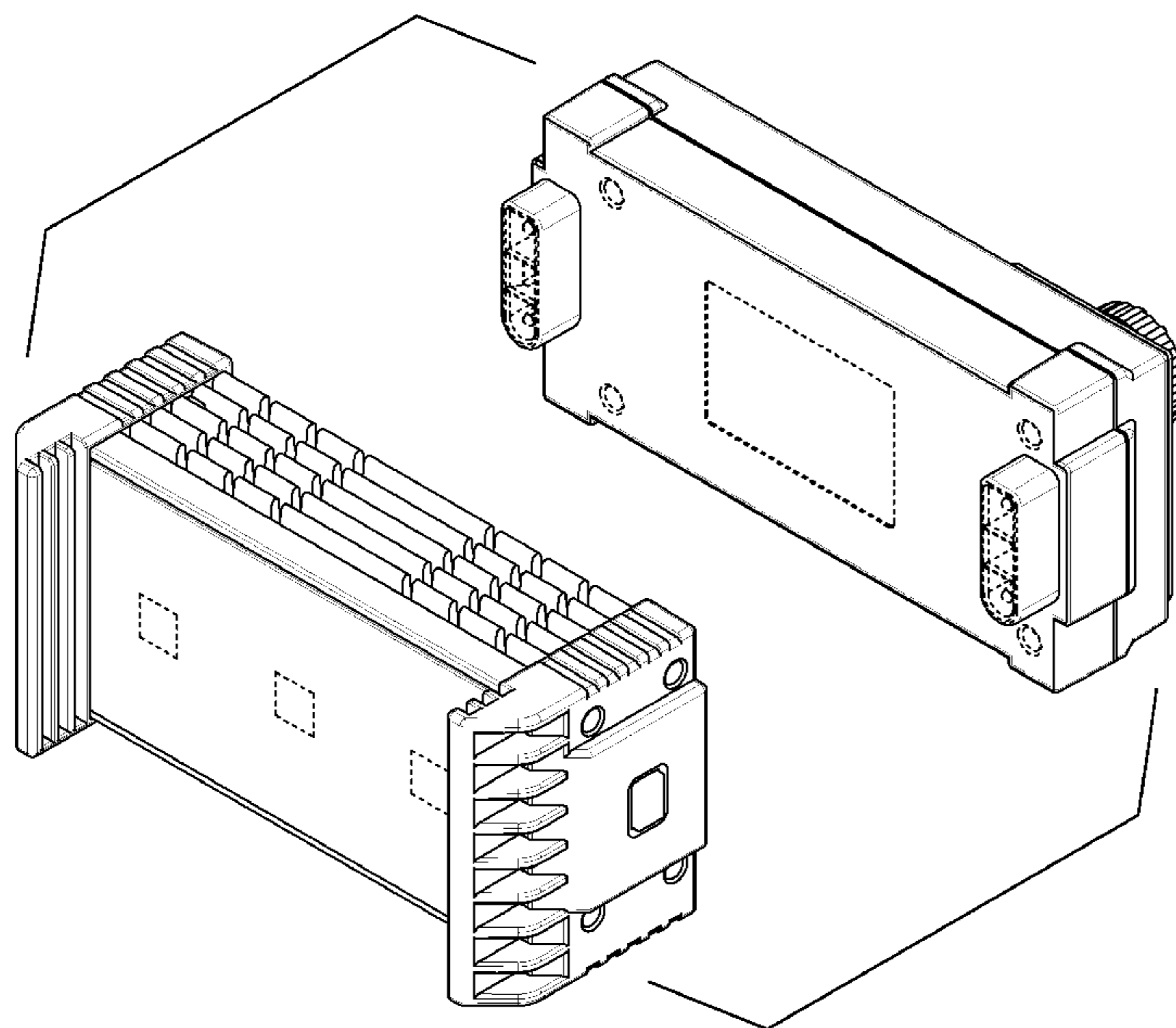
FIG. 20 is a top view of FIG. 15;

FIG. 21 is a bottom view of FIG. 15; and,

FIG. 22 is a perspective view of the LED spot light for camera with battery socket shown separated from each other and in relation to one another.

The broken lines represent portions of the structure that forms no part of the claim. The dash-dot-dash line on FIGS. 10 and 22 represent the boundary of the claimed design.

**1 Claim, 13 Drawing Sheets**



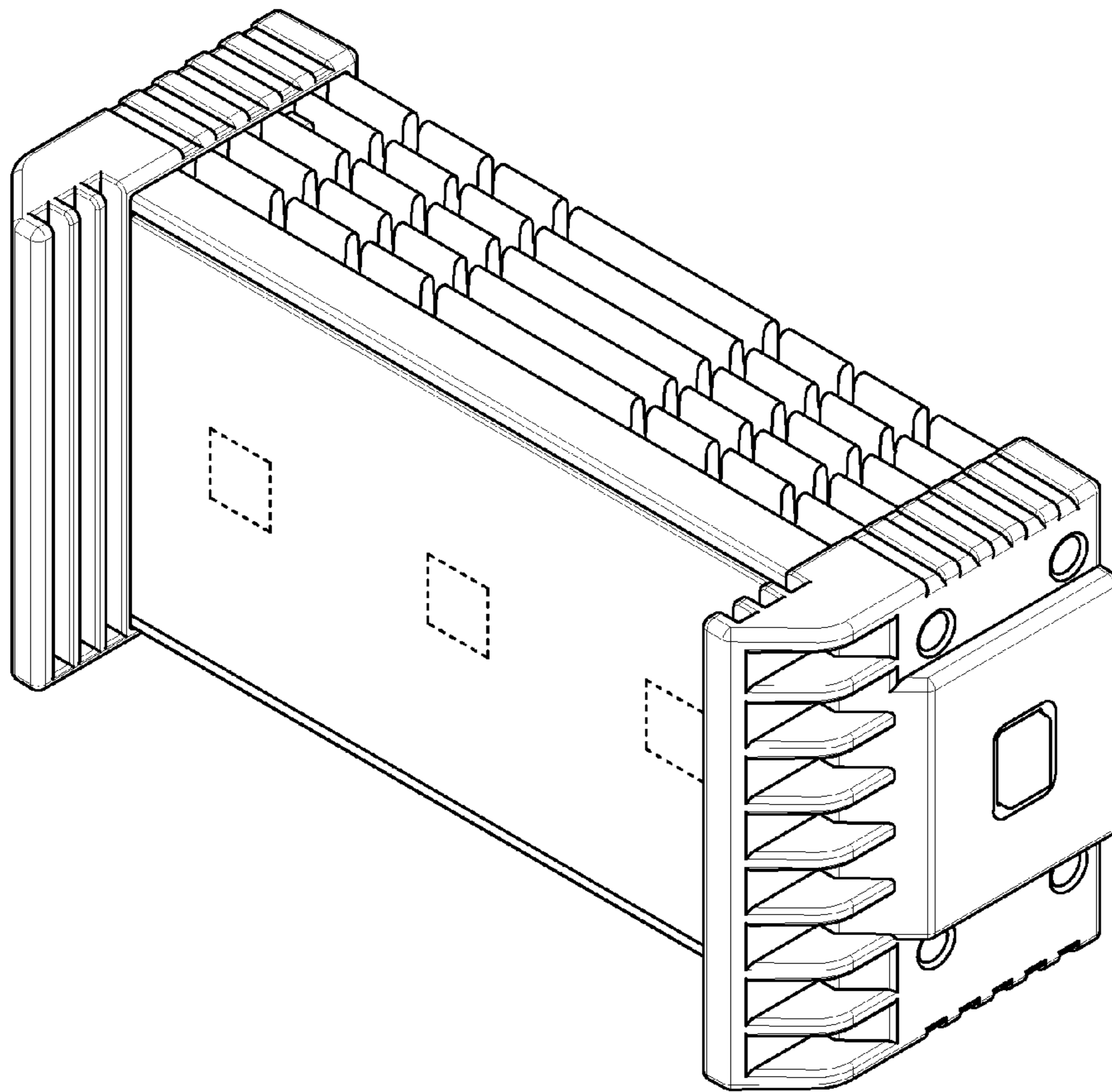


FIG. 1

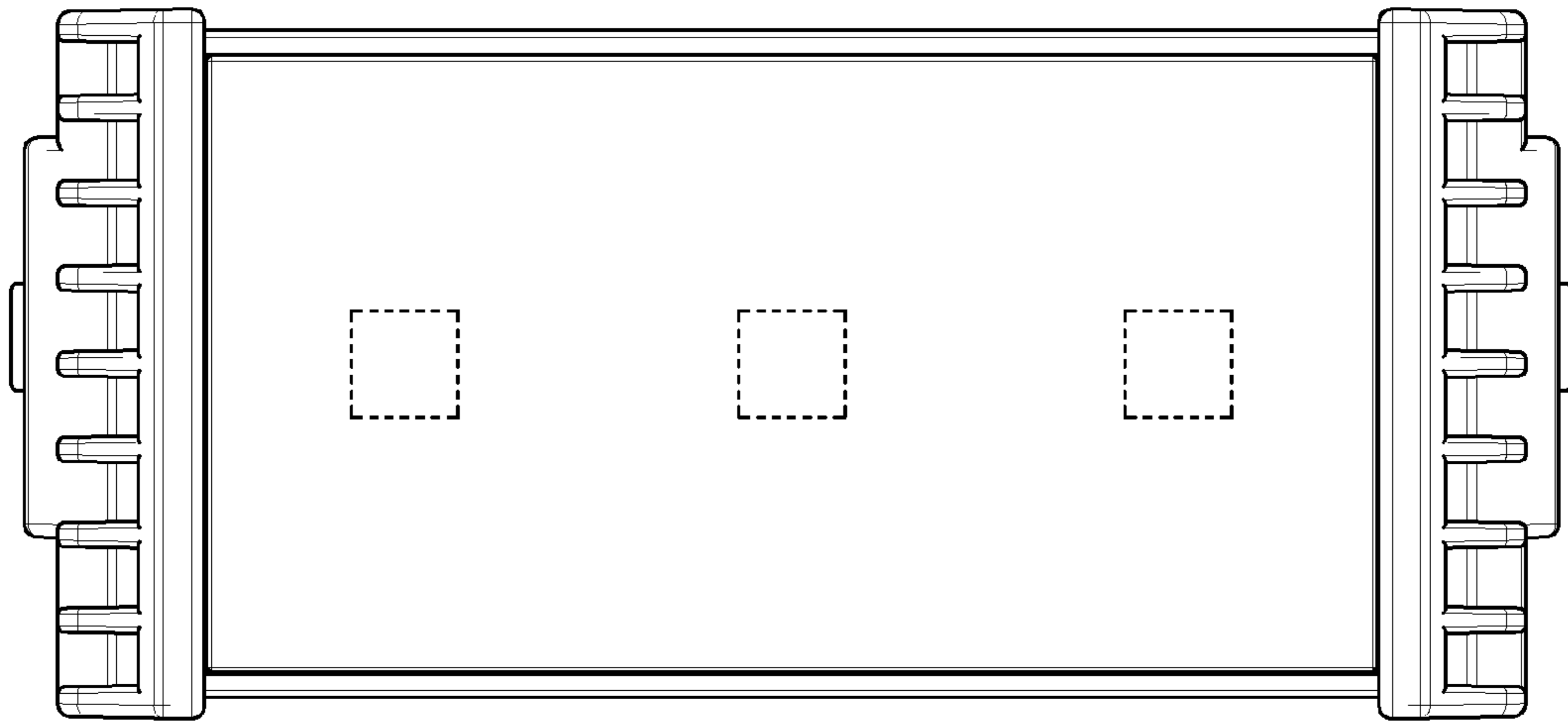


FIG. 2

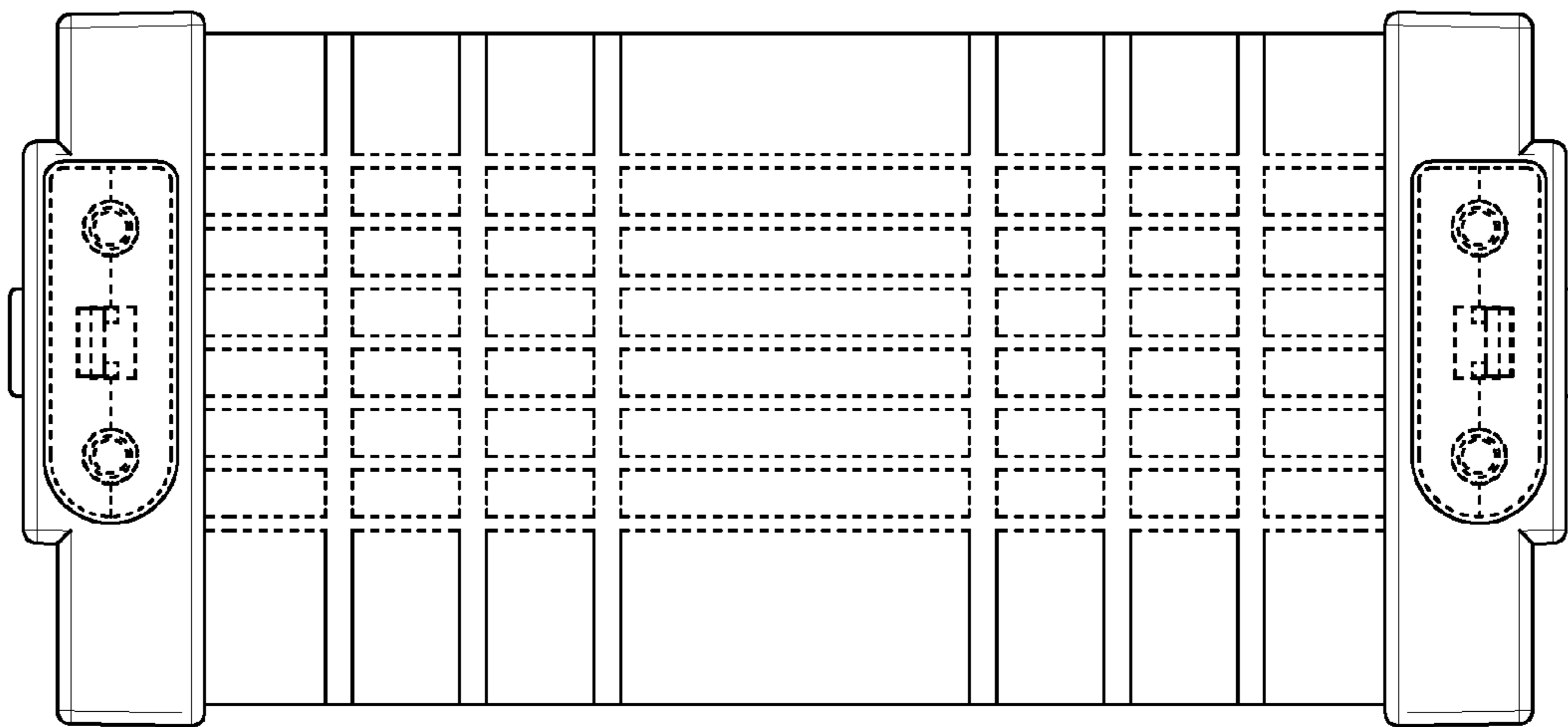


FIG. 3

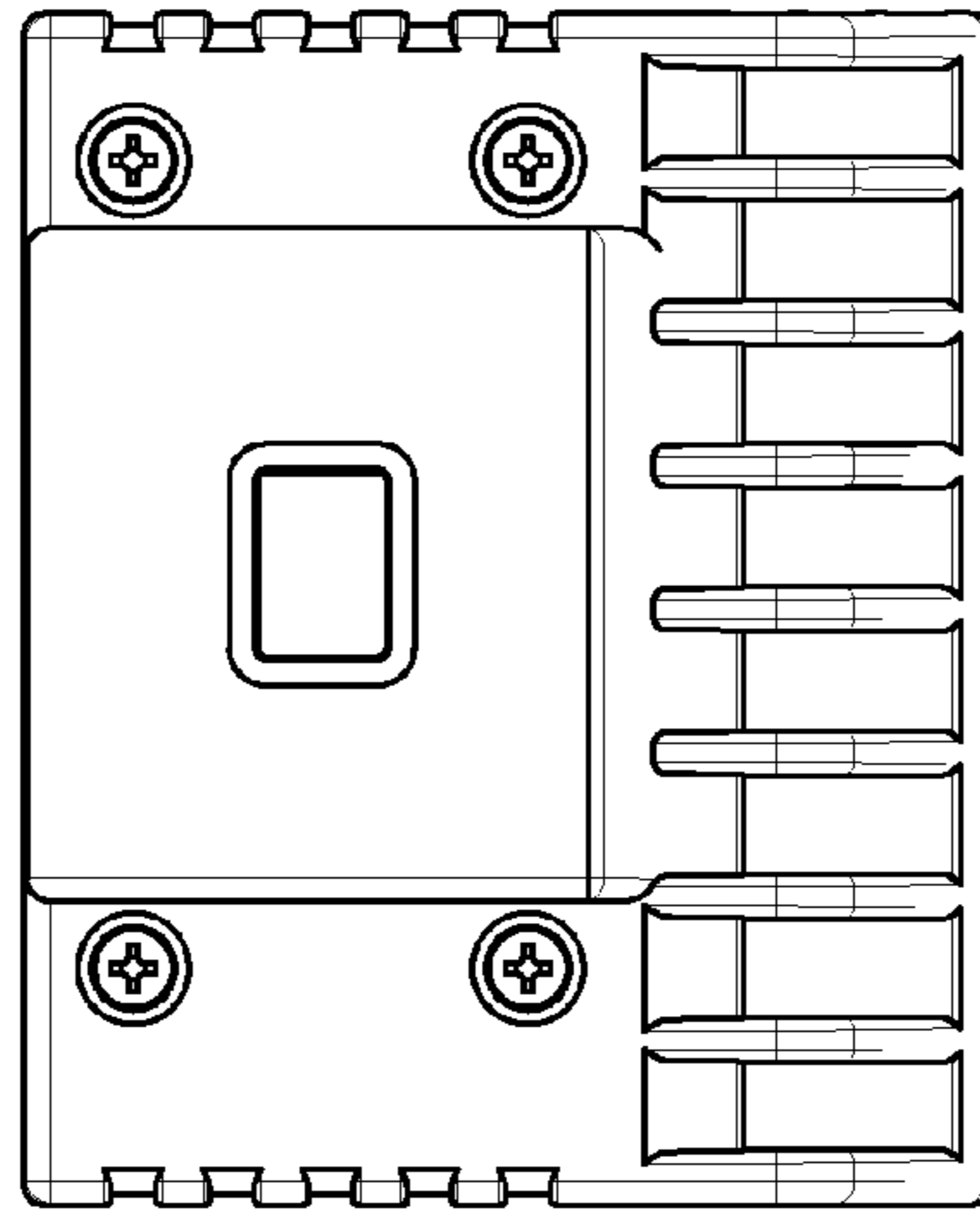


FIG. 4

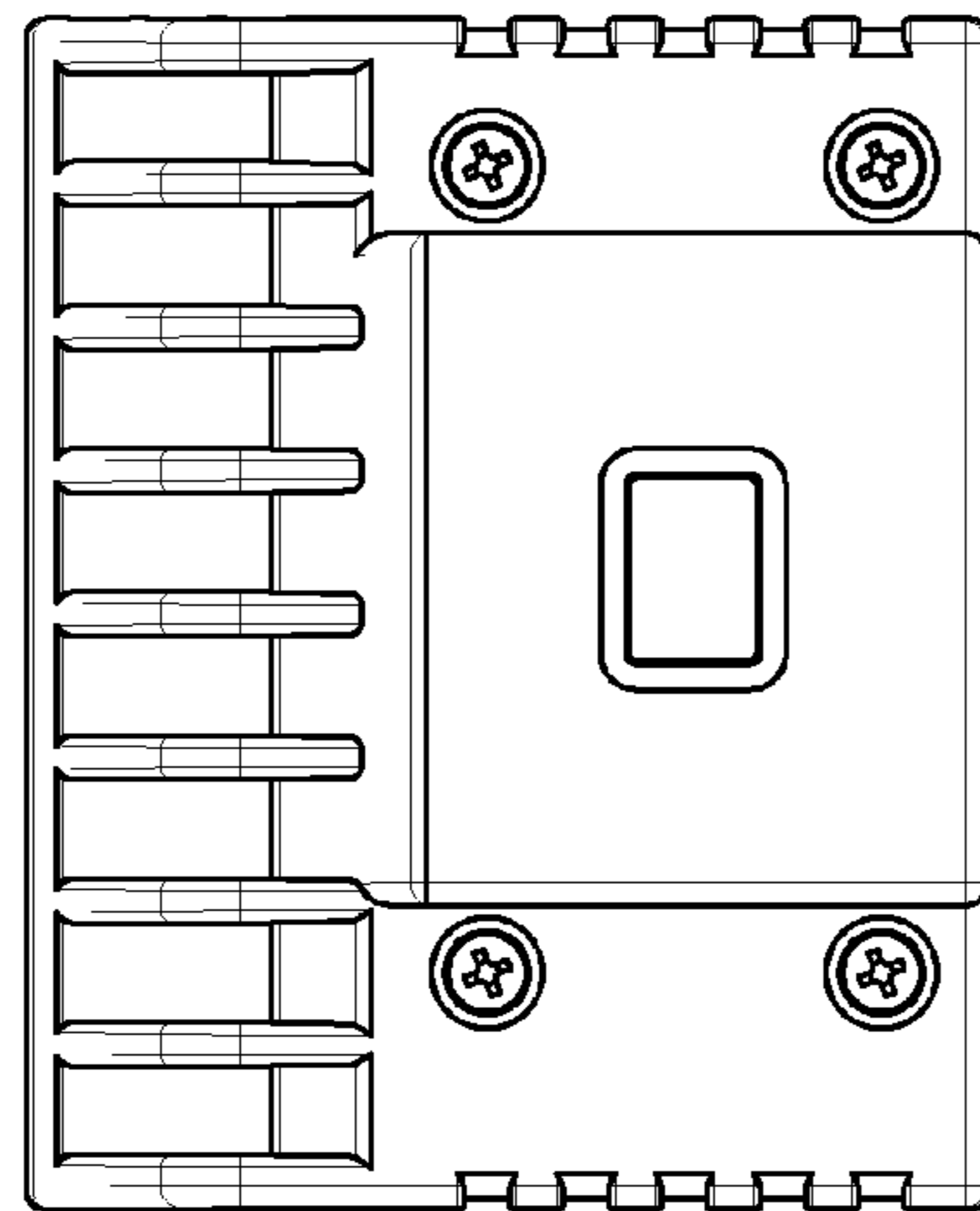


FIG. 5

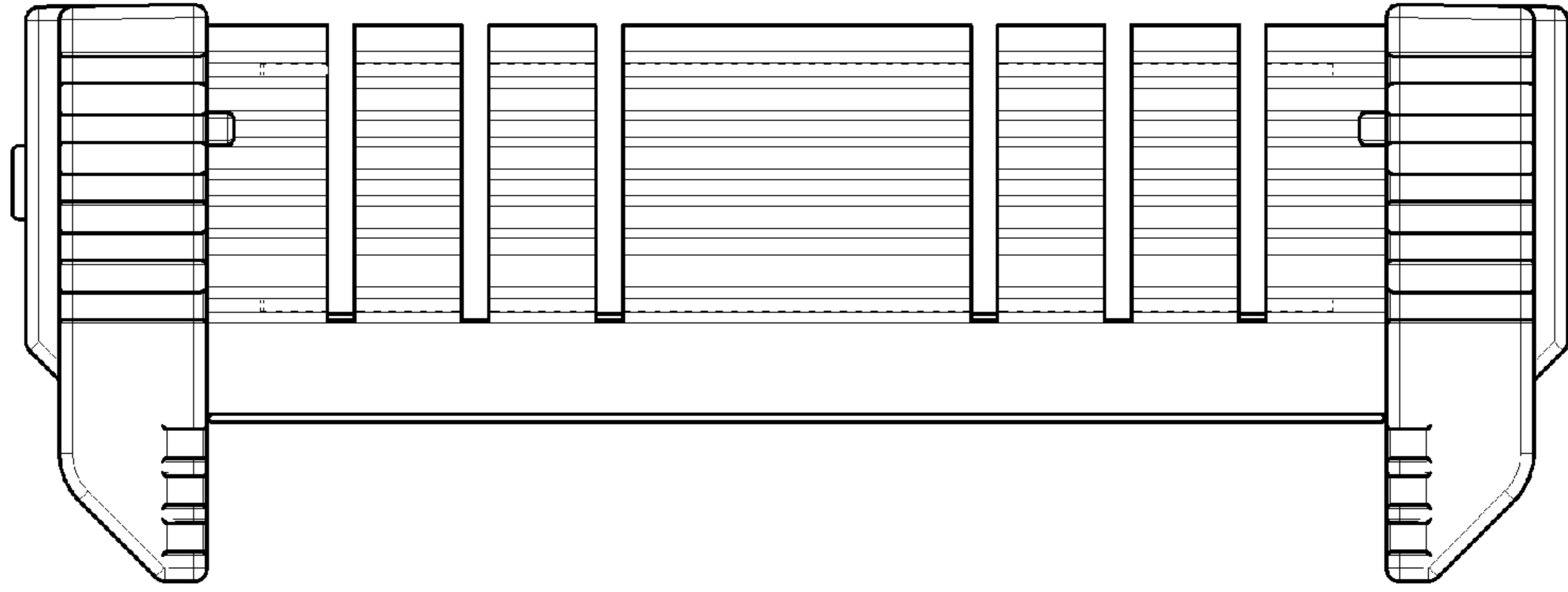


FIG. 6

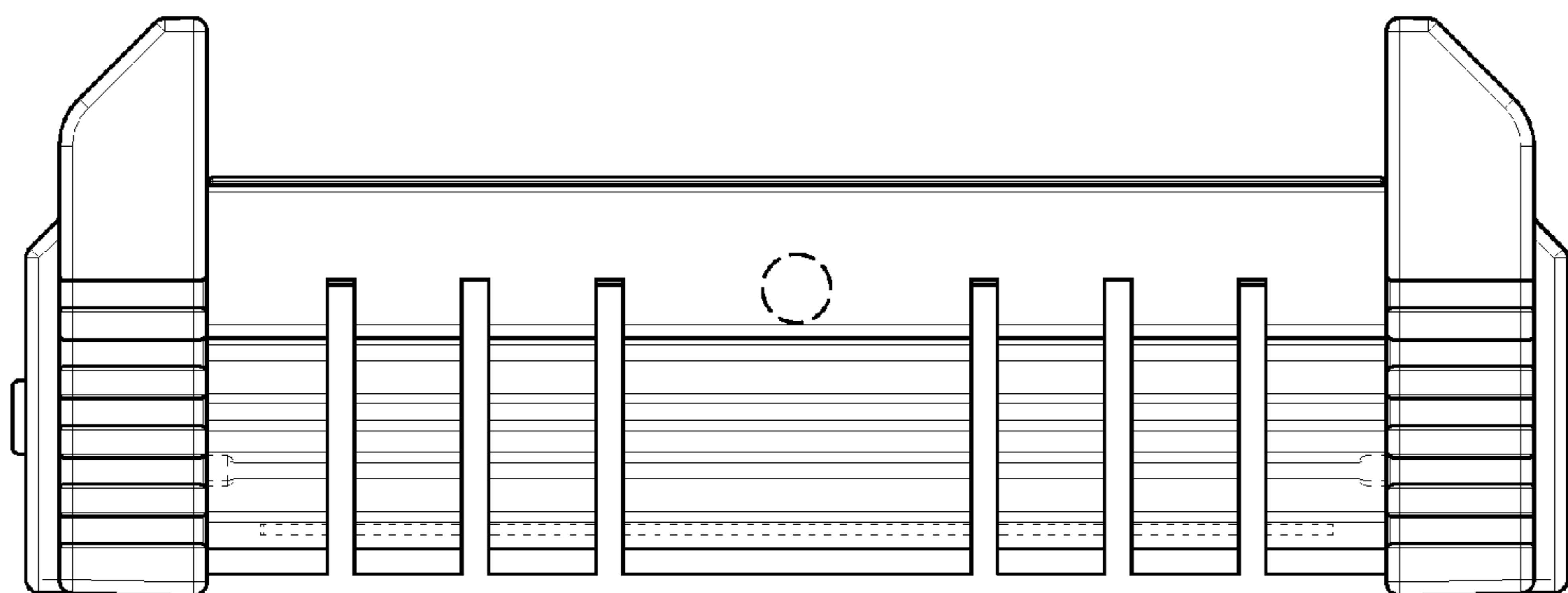


FIG. 7

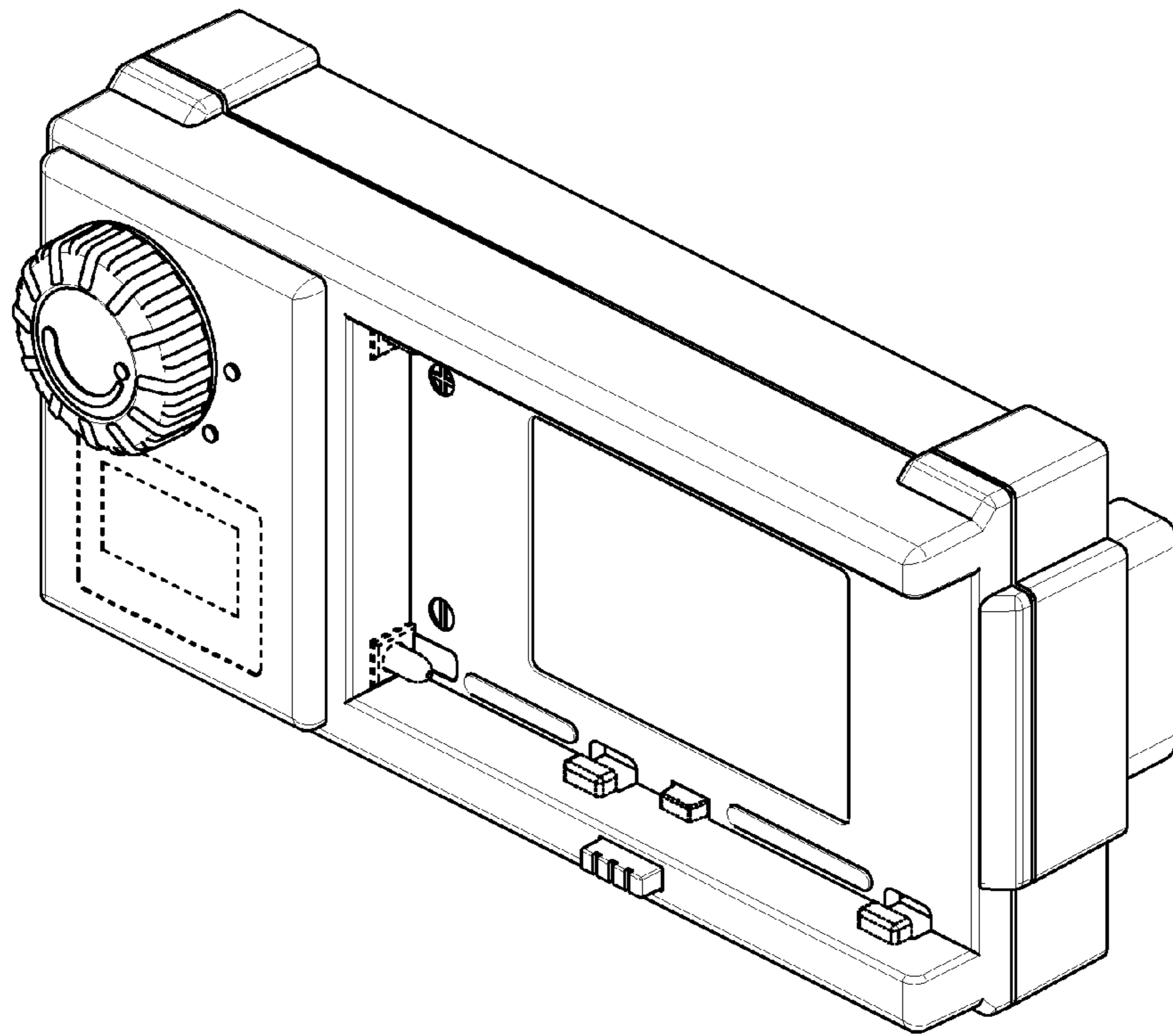


FIG. 8

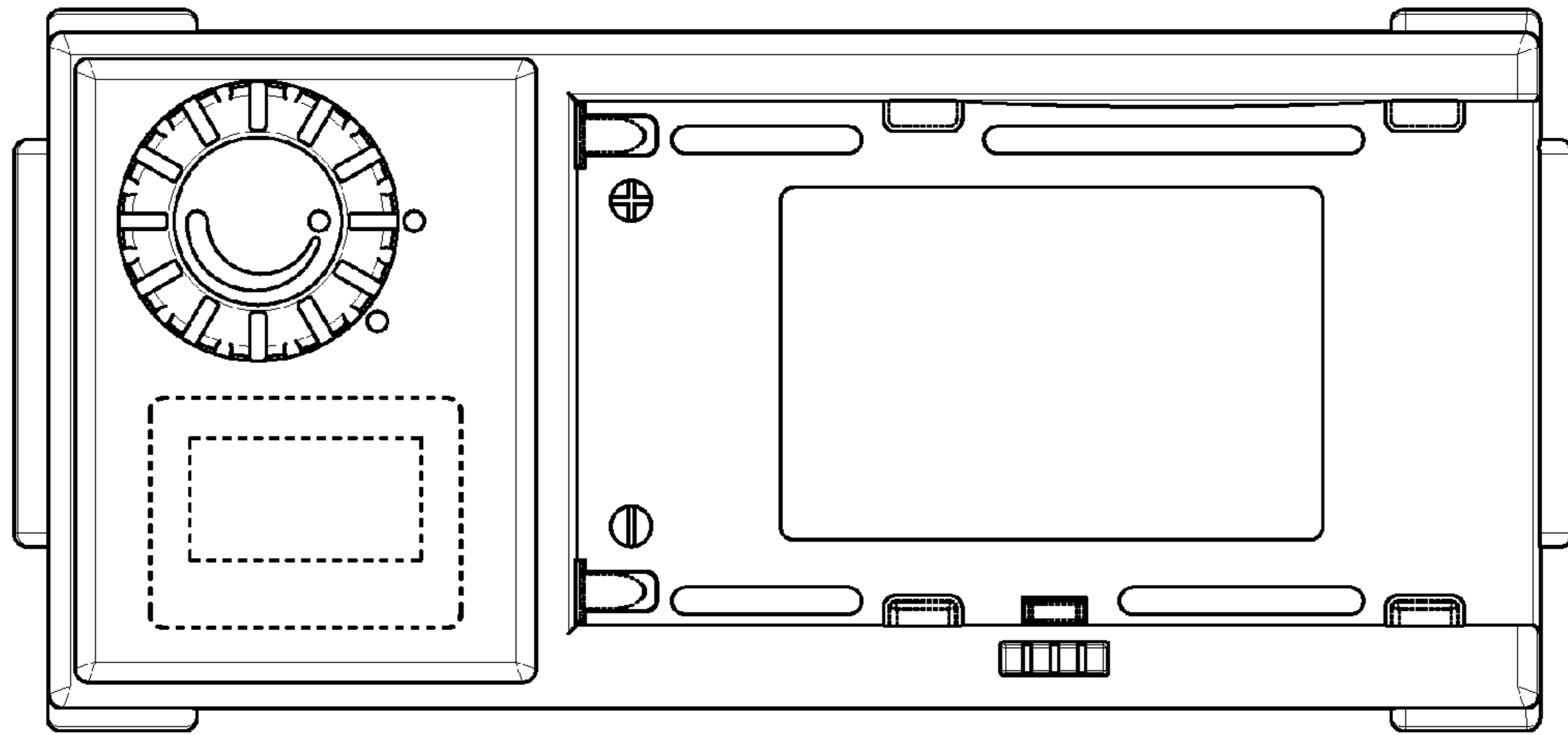


FIG. 9

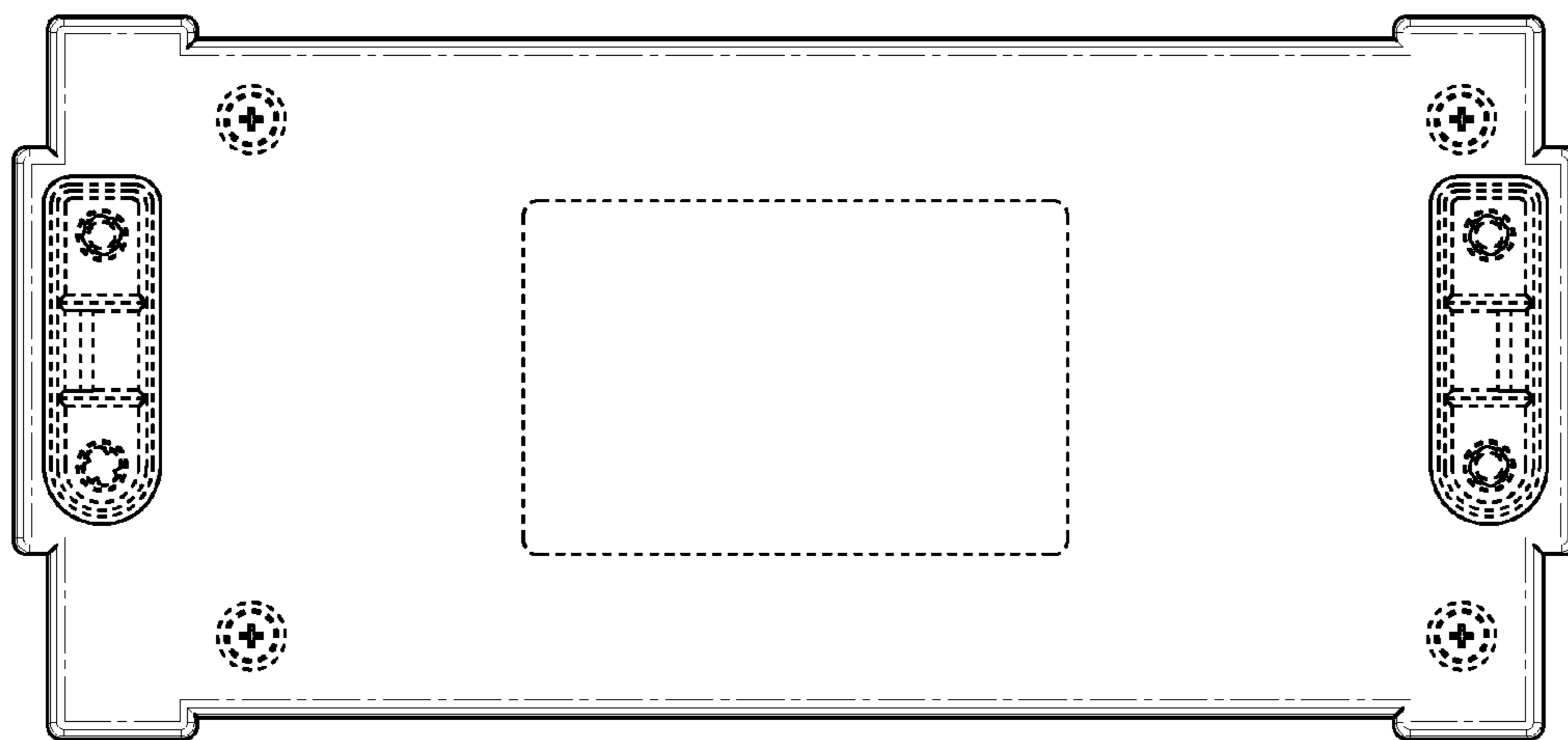
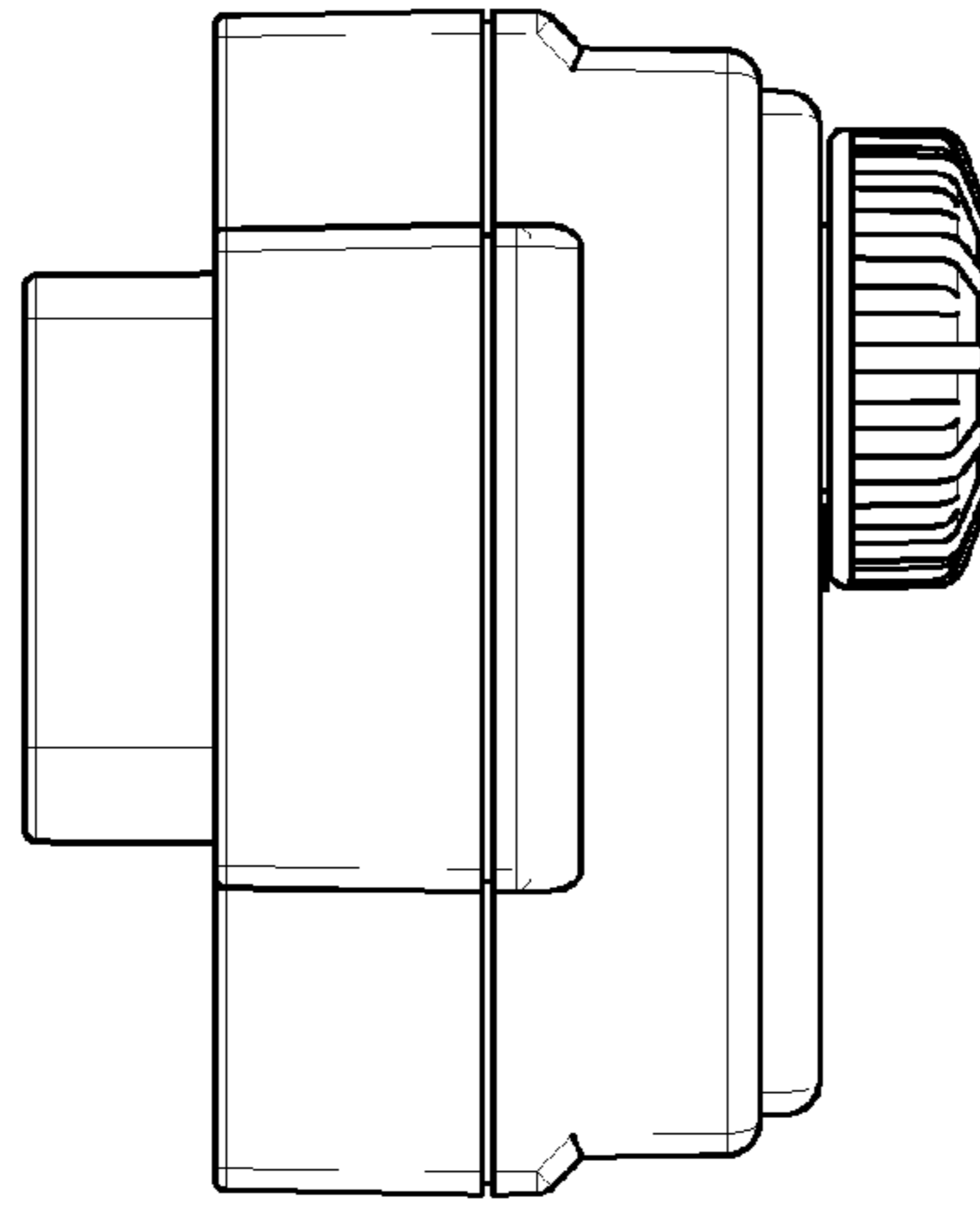
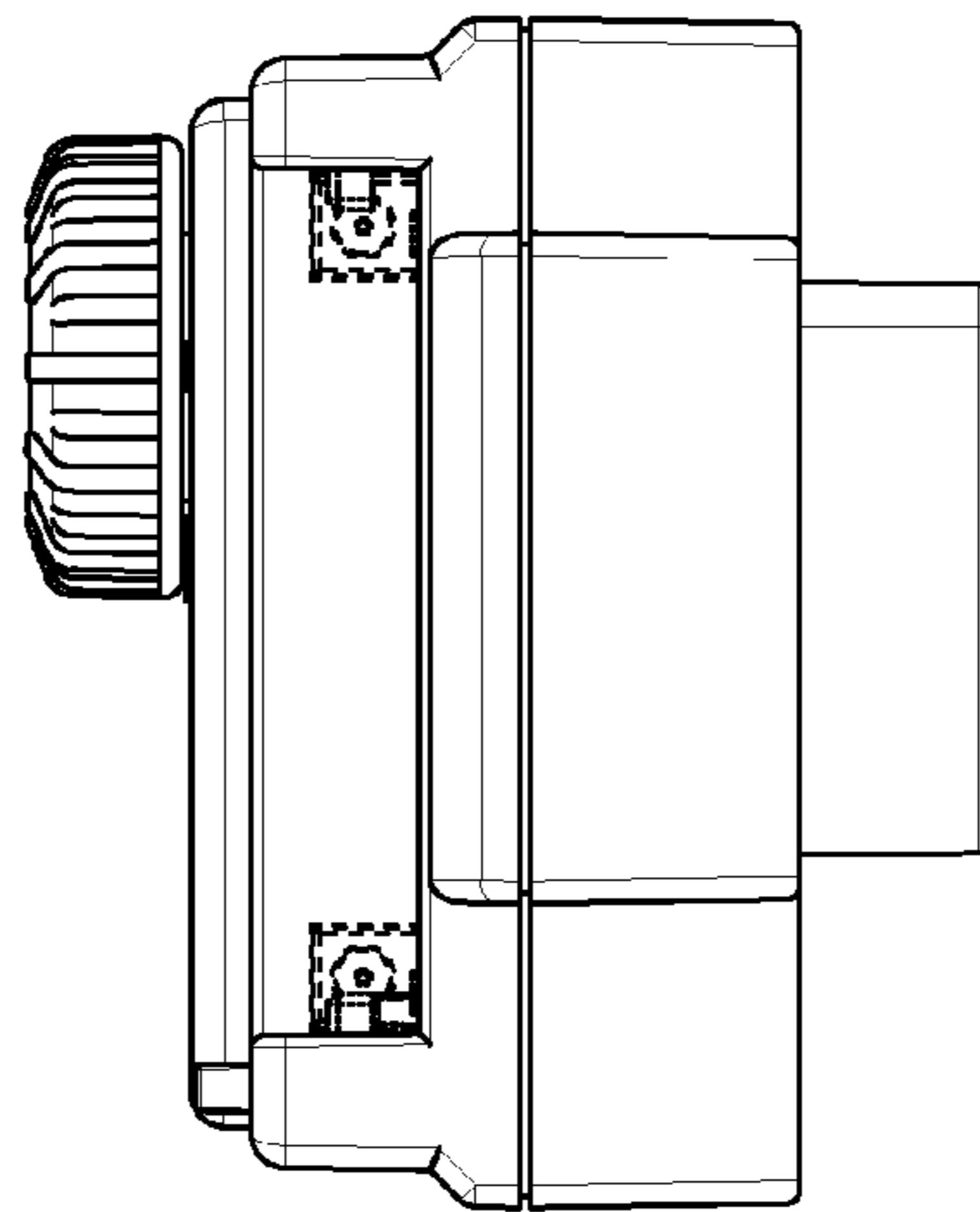


FIG. 10



**FIG. 11**



**FIG. 12**



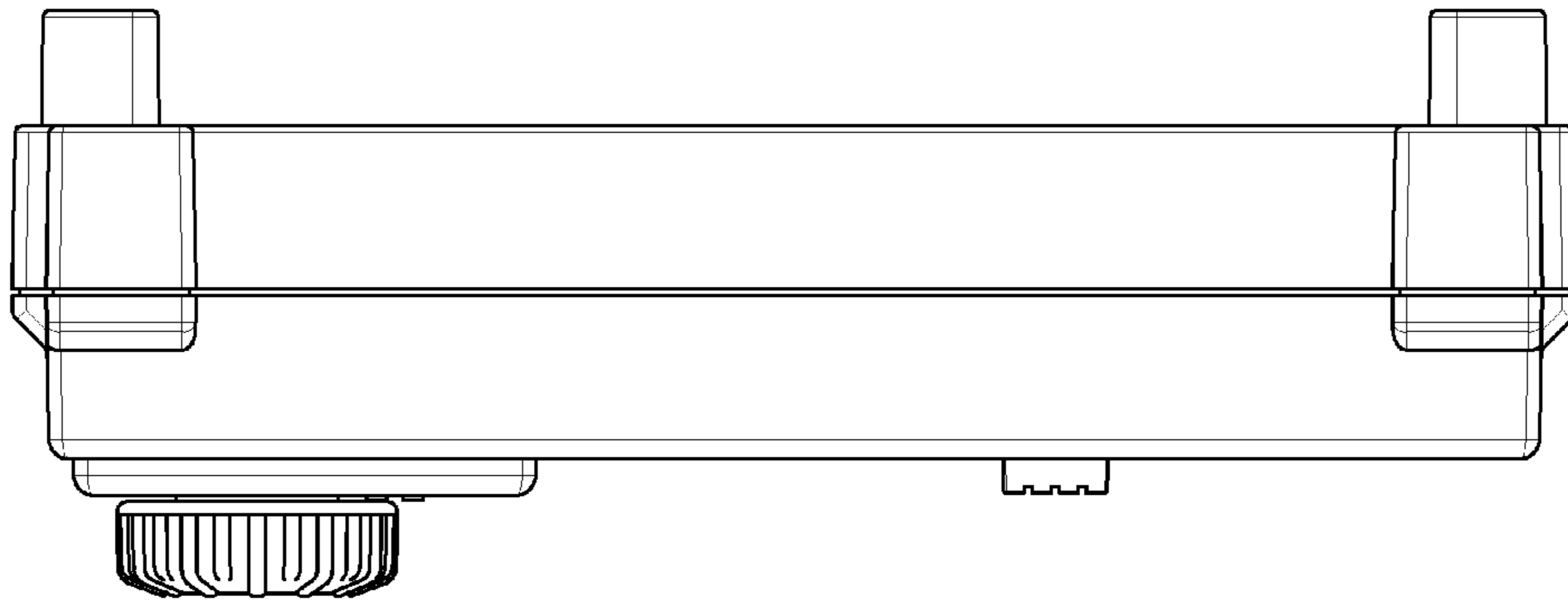


FIG. 13

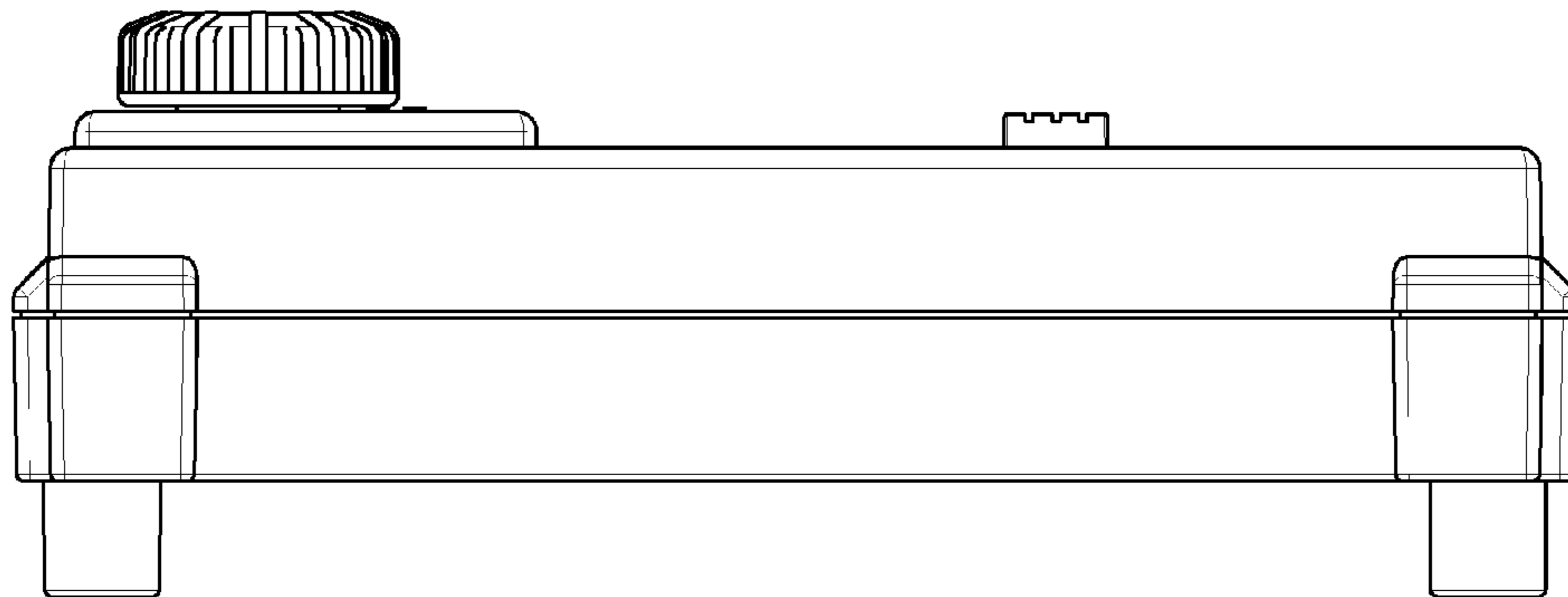


FIG. 14

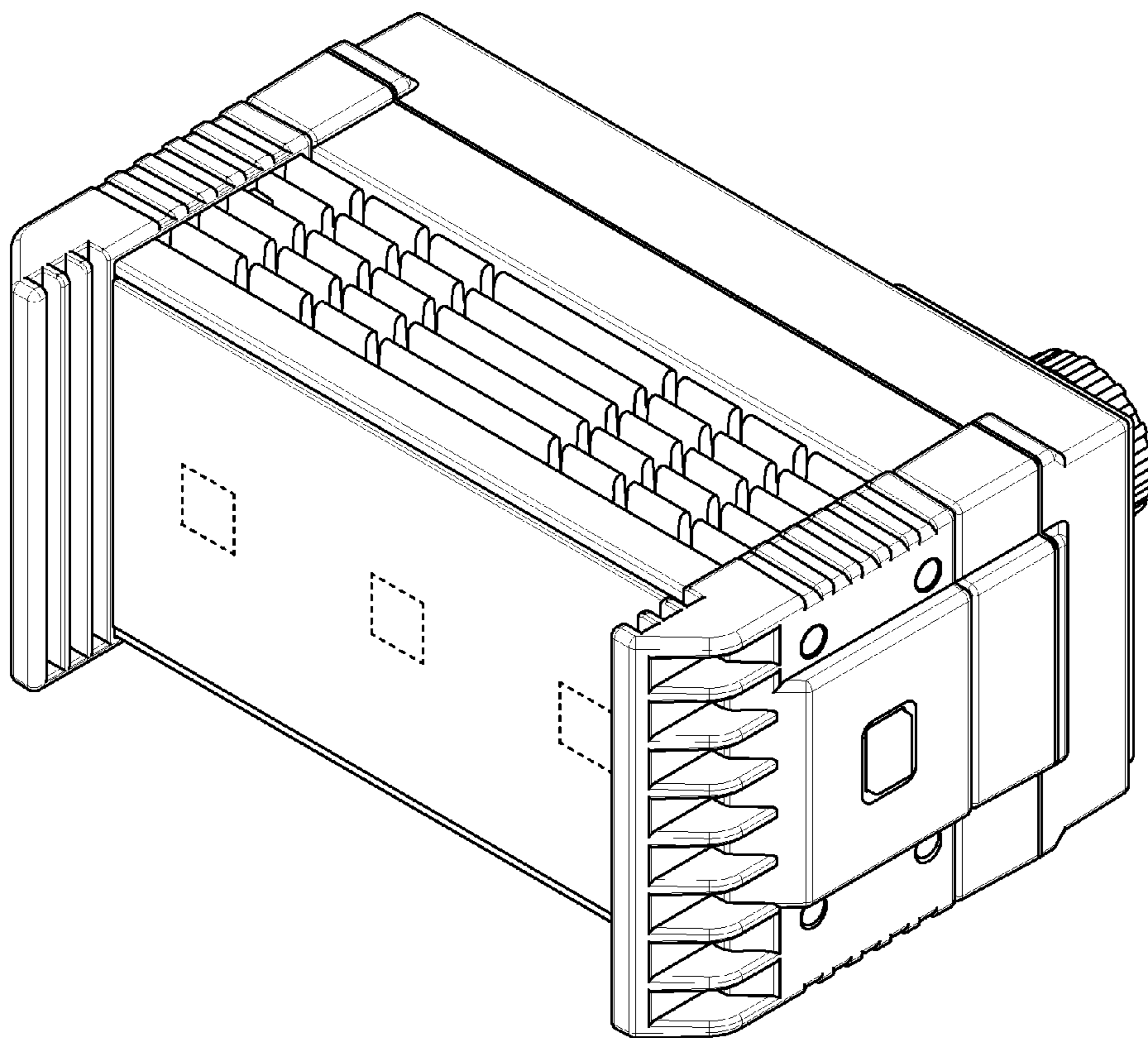


FIG. 15

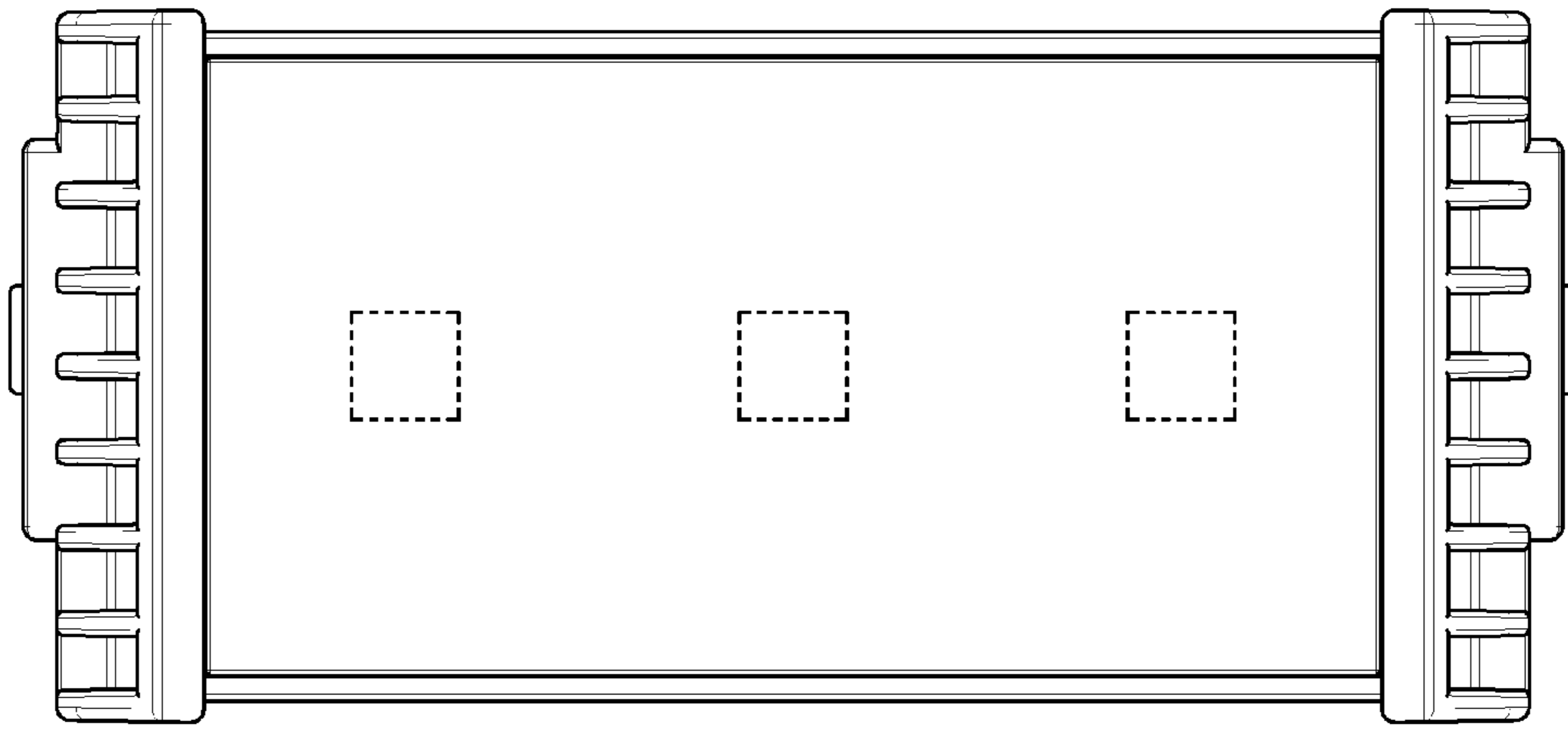


FIG. 16

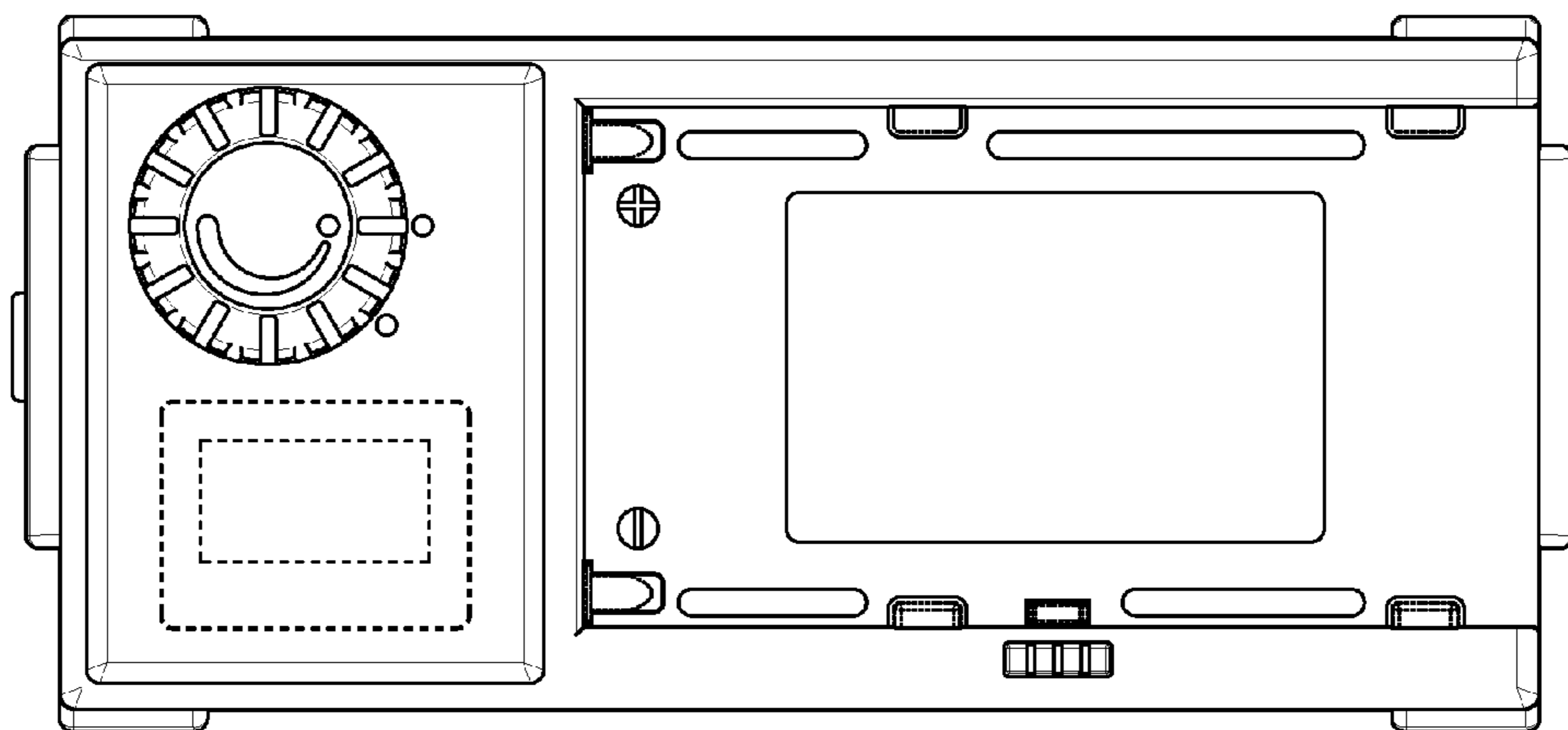


FIG. 17

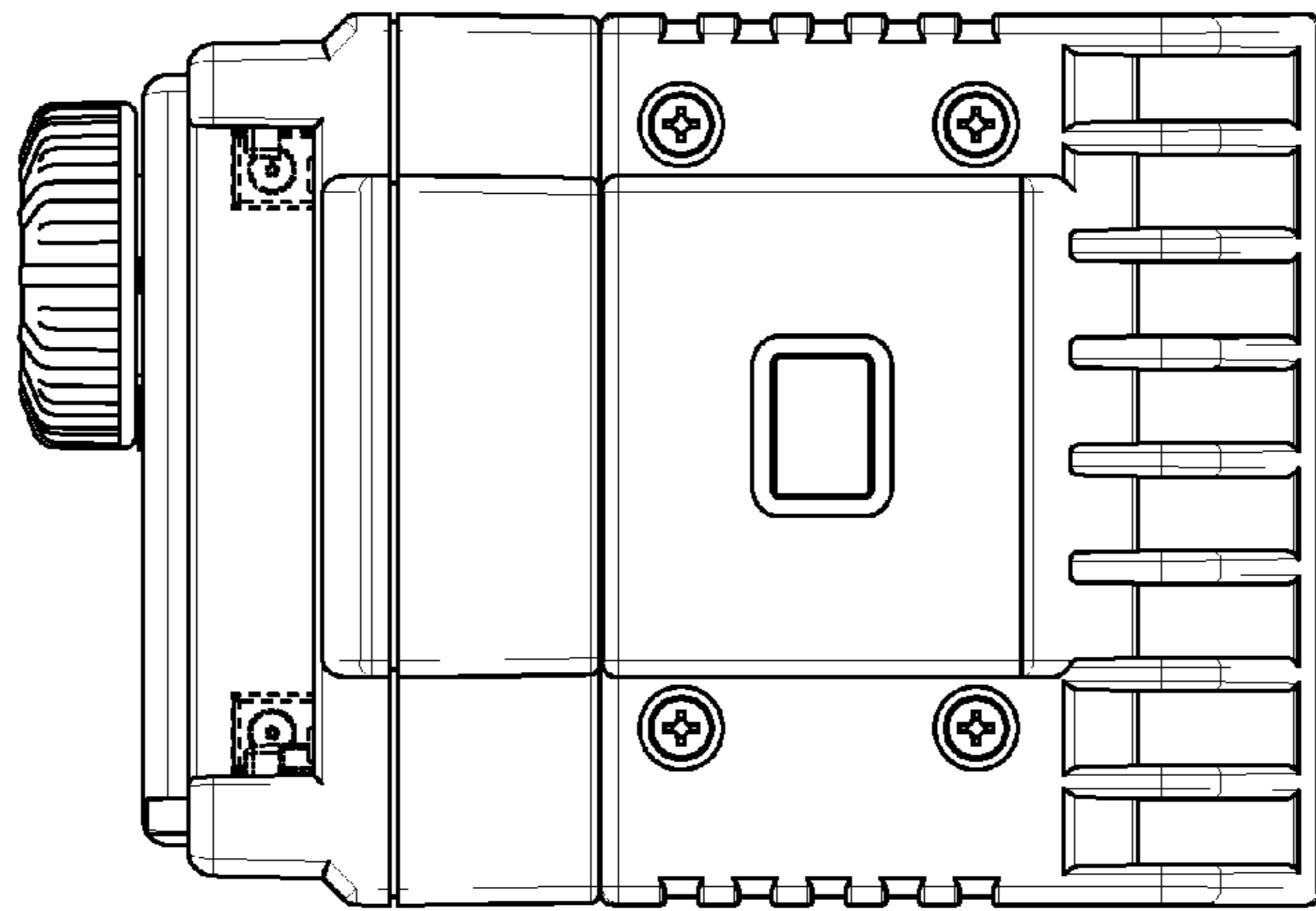


FIG. 18

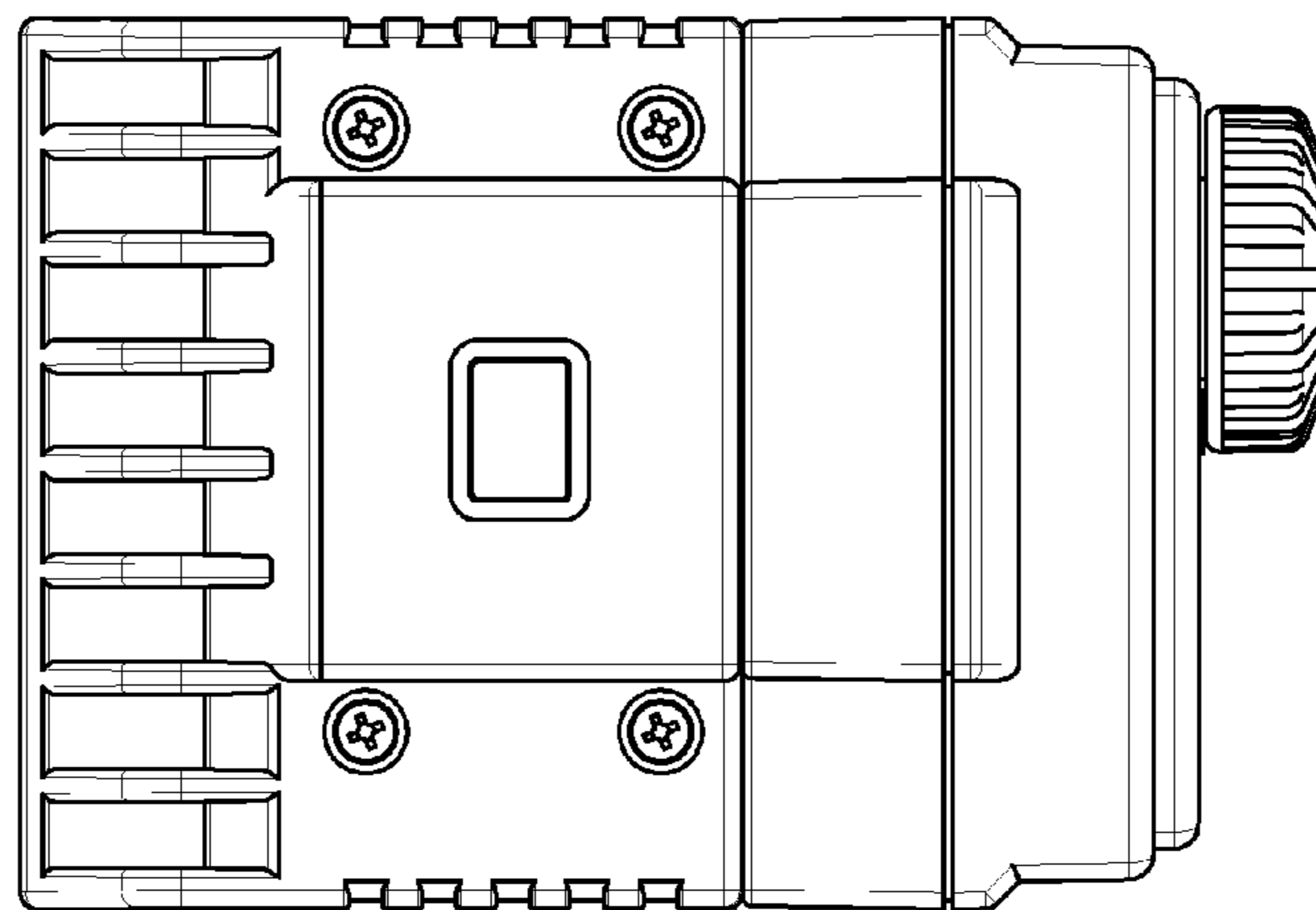


FIG. 19

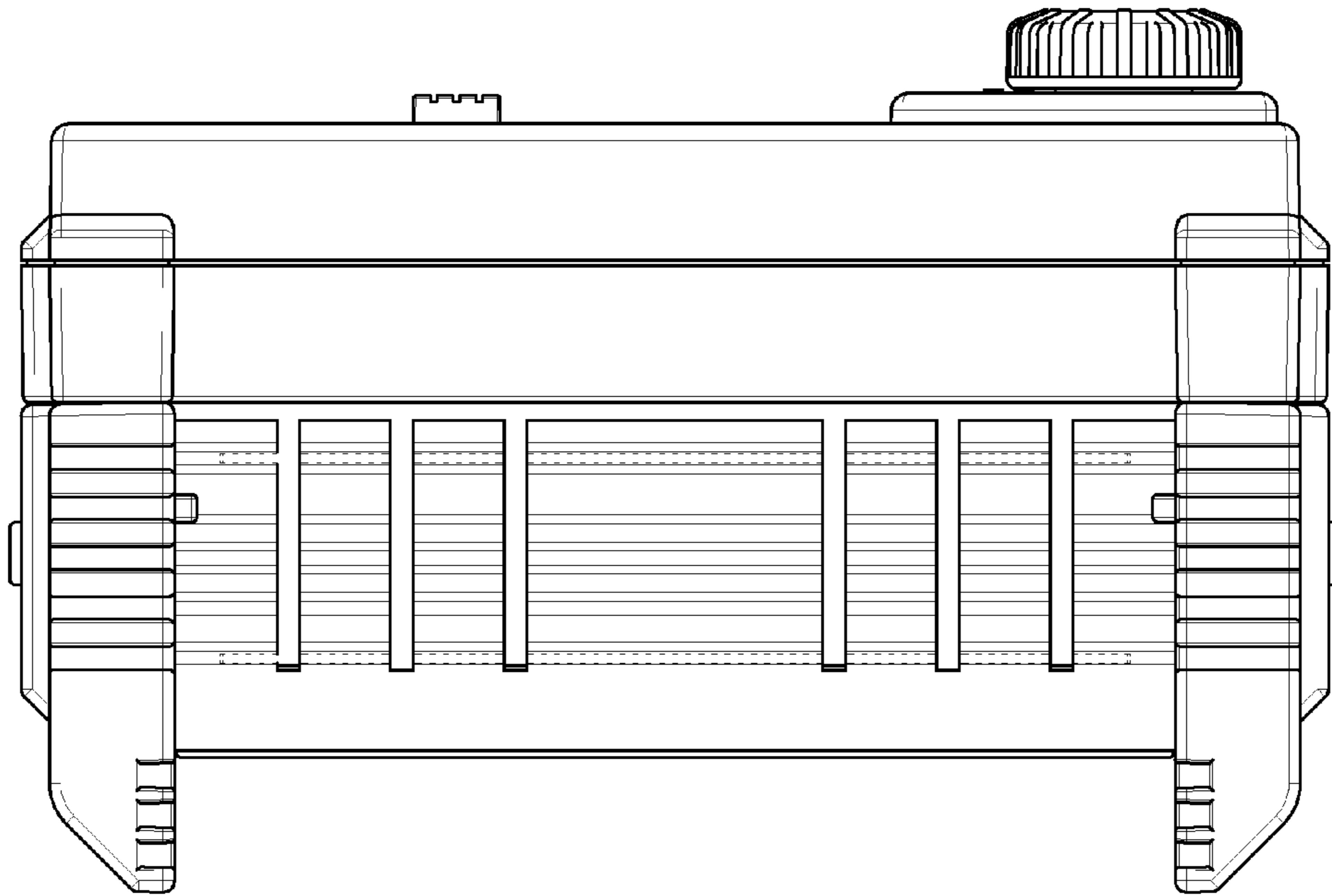


FIG. 20

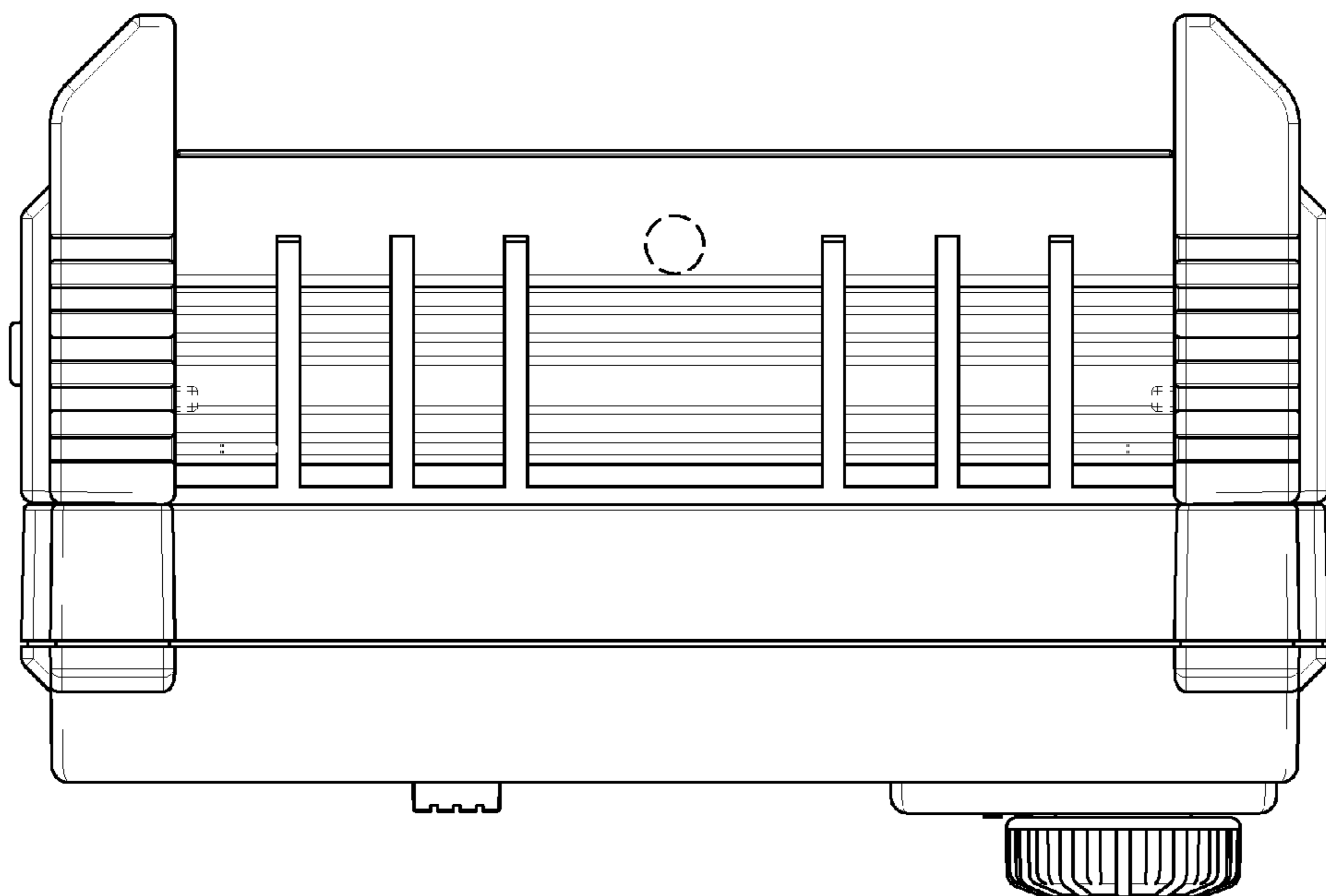


FIG. 21

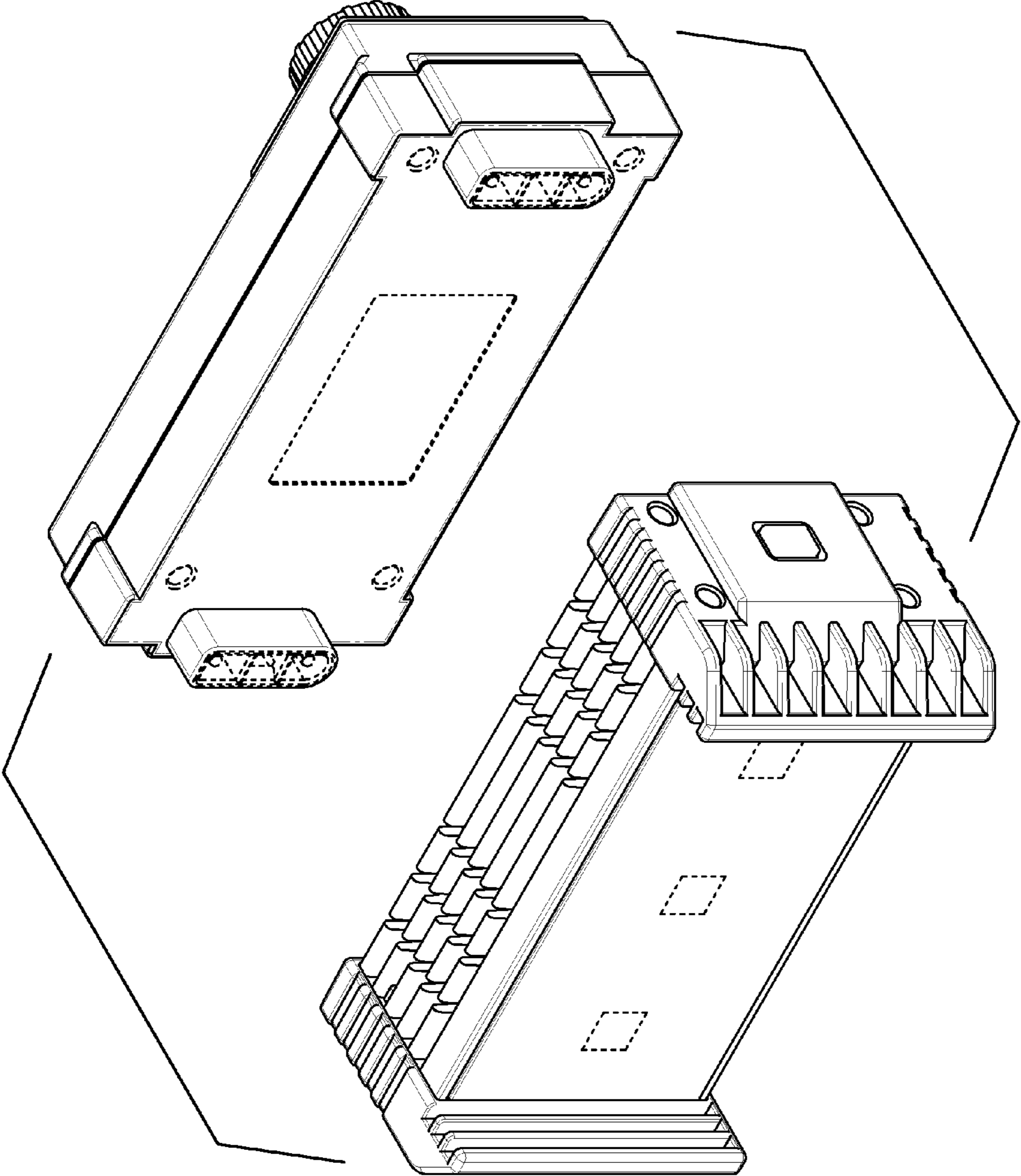


FIG. 22