



US00D677707S

(12) **United States Design Patent**  
**Shen**

(10) **Patent No.:** **US D677,707 S**  
(45) **Date of Patent:** **\*\* Mar. 12, 2013**

(54) **TRAVEL SIZED COMPACT OFFICE CAMERA APPARATUS WITH TWO INDEPENDENTLY ADJUSTABLE CAMERAS AND AN IMAGE PREVIEW SCREEN**

(76) Inventor: **Ji Shen**, San Diego, CA (US)

(\*\*) Term: **14 Years**

(21) Appl. No.: **29/381,395**

(22) Filed: **Dec. 18, 2010**

(51) **LOC (9) Cl.** ..... **16-02**

(52) **U.S. Cl.** ..... **D16/232**

(58) **Field of Classification Search** ..... D14/496,  
D14/125, 423; D16/218, 202, 213, 200,  
D16/205, 208, 225, 232, 207, 214; 396/448,  
396/430, 431; 348/373; 353/119

See application file for complete search history.

(56) **References Cited**

**U.S. PATENT DOCUMENTS**

D264,581	S *	5/1982	Mobius	.....	D13/101
D325,027	S *	3/1992	Wallace et al.	.....	D14/423
5,978,028	A *	11/1999	Yamane	.....	348/373
6,317,155	B1 *	11/2001	Ohyama	.....	348/373
6,496,244	B2 *	12/2002	Tseng et al.	.....	355/21
D503,731	S *	4/2005	Kinemura et al.	.....	D16/202
6,947,093	B2 *	9/2005	Yanakawa et al.	.....	348/373
7,245,441	B2 *	7/2007	Wu et al.	.....	359/676
D602,063	S *	10/2009	Su	.....	D16/232
D607,482	S *	1/2010	Inoue et al.	.....	D16/232
D614,683	S *	4/2010	Oikawa et al.	.....	D16/206
D647,906	S *	11/2011	Shen	.....	D14/423

\* cited by examiner

*Primary Examiner* — Cynthia Underwood

(74) *Attorney, Agent, or Firm* — RatnerPrestia

(57) **CLAIM**

The ornamental design for a travel sized compact office camera apparatus with two independently adjustable cameras and an image preview screen, as shown and described.

**DESCRIPTION**

FIG. 1 is a perspective view of an office camera in a first configuration.

FIG. 2 is a top view of the office camera shown in FIG. 1 in the first configuration.

FIG. 3 is a bottom view of the office camera shown in FIG. 1 in the first configuration.

FIG. 4 is a front view of the office camera shown in FIG. 1 in the first configuration;

FIG. 5 is a rear view of the office camera shown in FIG. 1 in the first configuration.

FIG. 6 is a left view of the office camera shown in FIG. 1, the right view being a mirror image of the left view.

FIG. 7 is a perspective view of the office camera in a second configuration.

FIG. 8 is a perspective view of the office camera in a third configuration.

FIG. 9 a top view of the office camera shown in FIG. 7 in the second configuration.

FIG. 10 is a bottom view of the office camera shown in FIG. 7 in the second configuration.

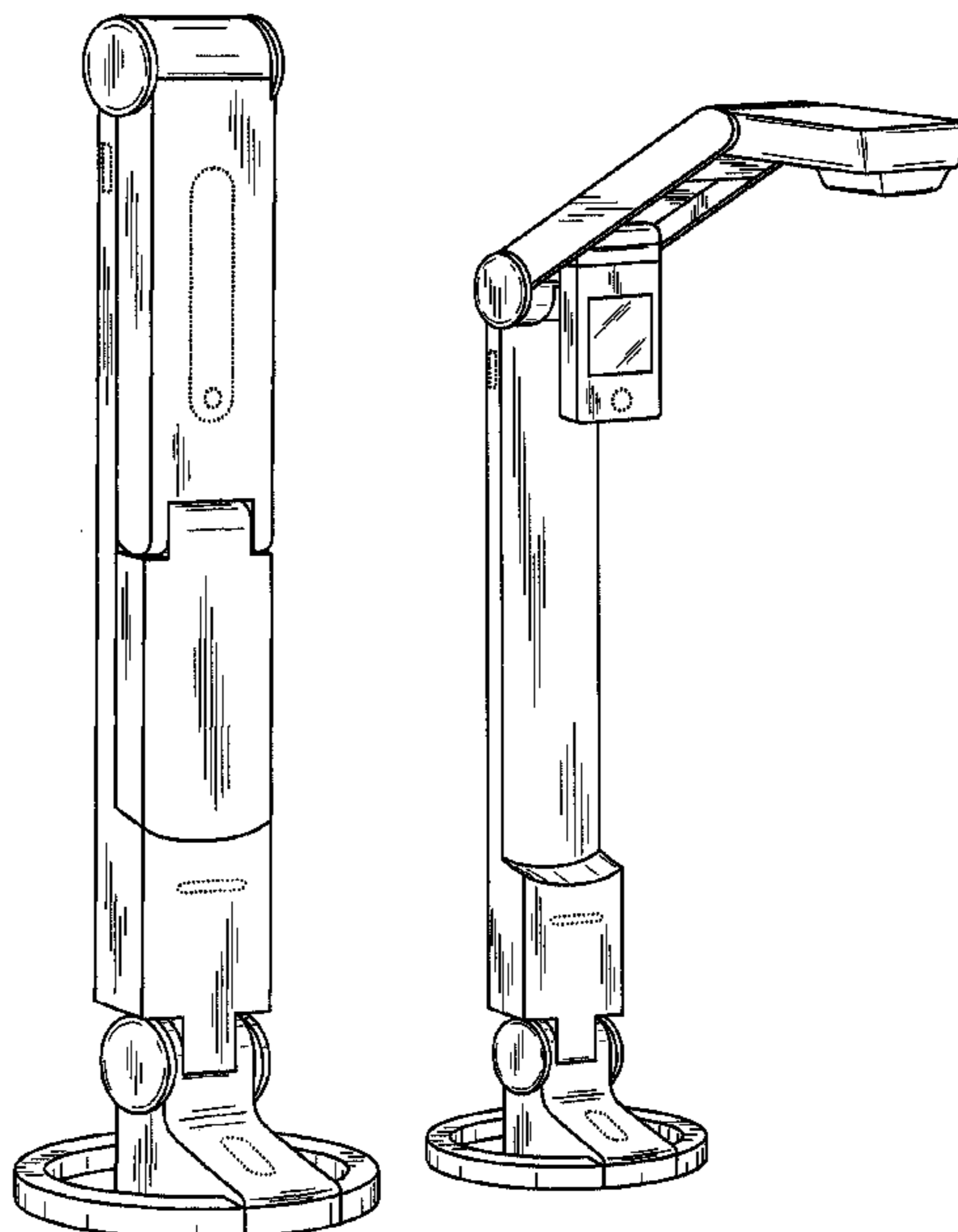
FIG. 11 is a front view of the office camera shown in FIG. 7 in the second configuration.

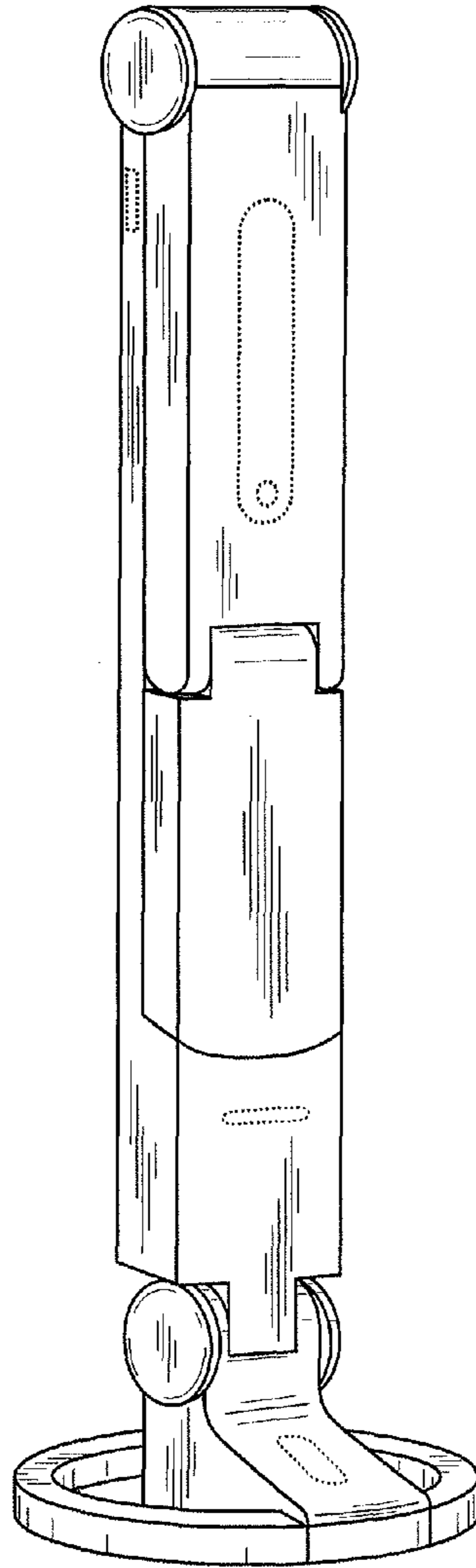
FIG. 12 is a rear view of the office camera shown in FIG. 7 in the second configuration; and,

FIG. 13 is a right view of the office camera shown in FIG. 7 in the second configuration, the left view being a mirror image of the right view.

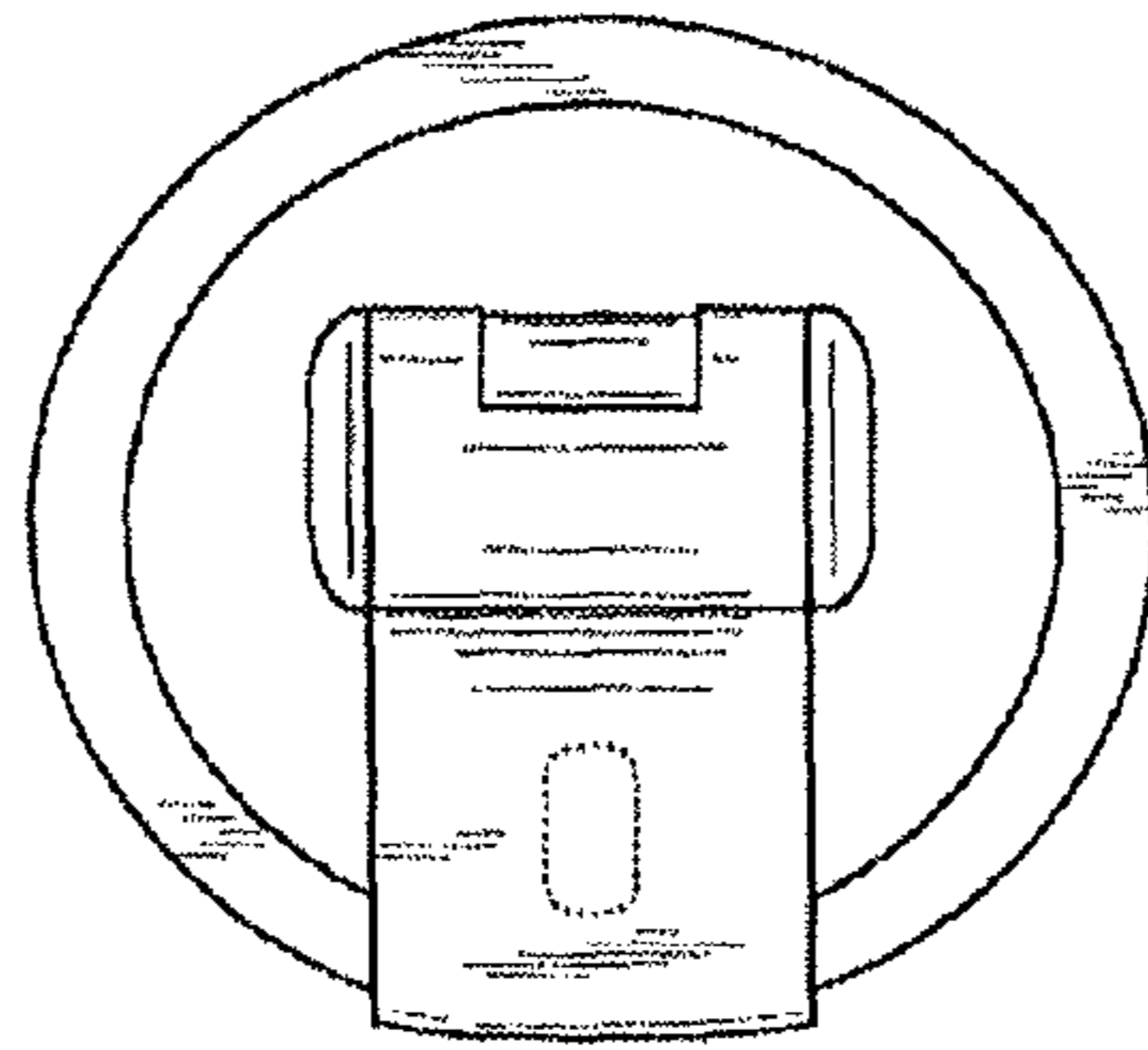
The broken lines shown in the drawings are provided for environmental purposes and form no part of the claimed design.

**1 Claim, 13 Drawing Sheets**

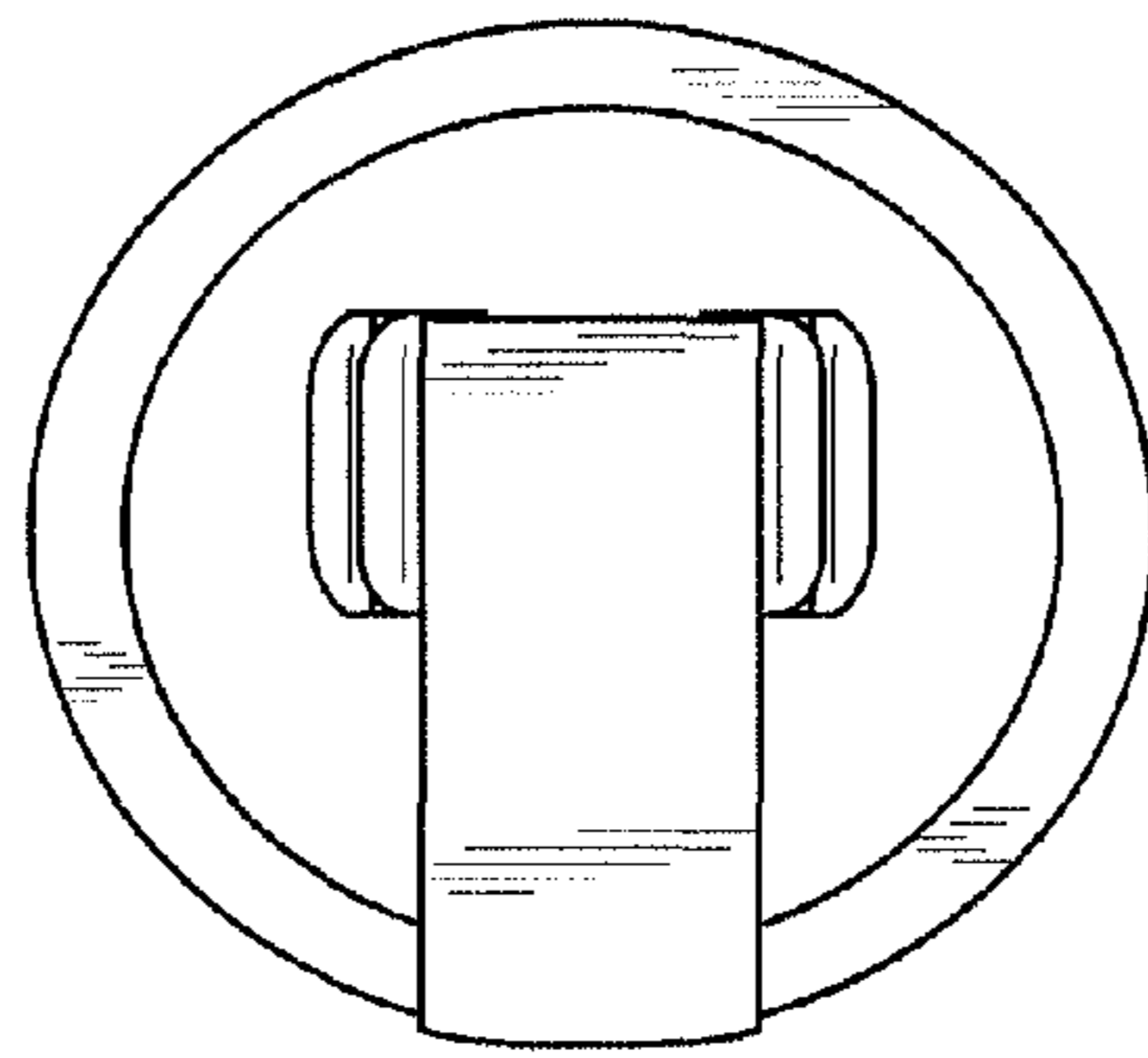




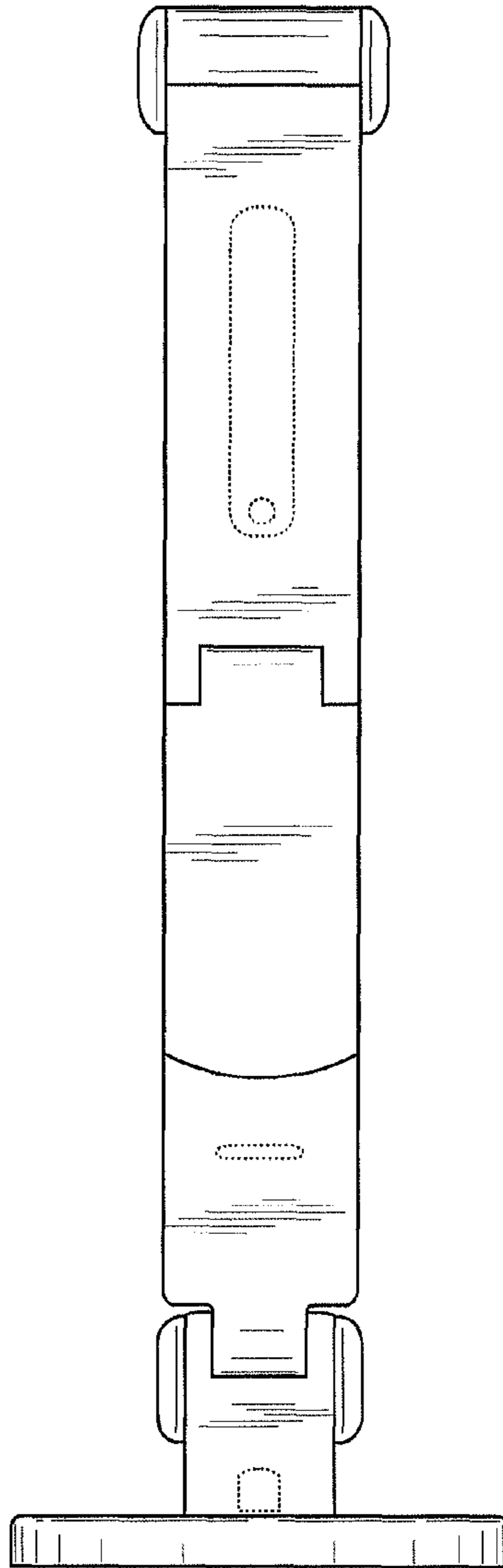
**FIG. 1**



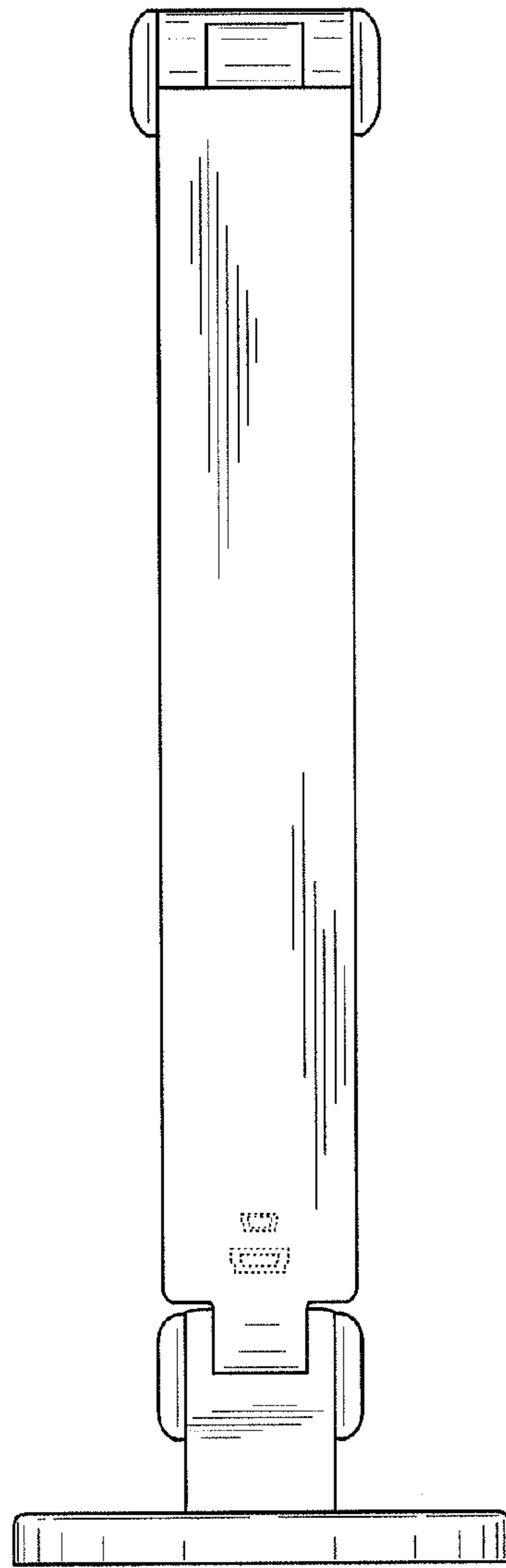
**FIG. 2**



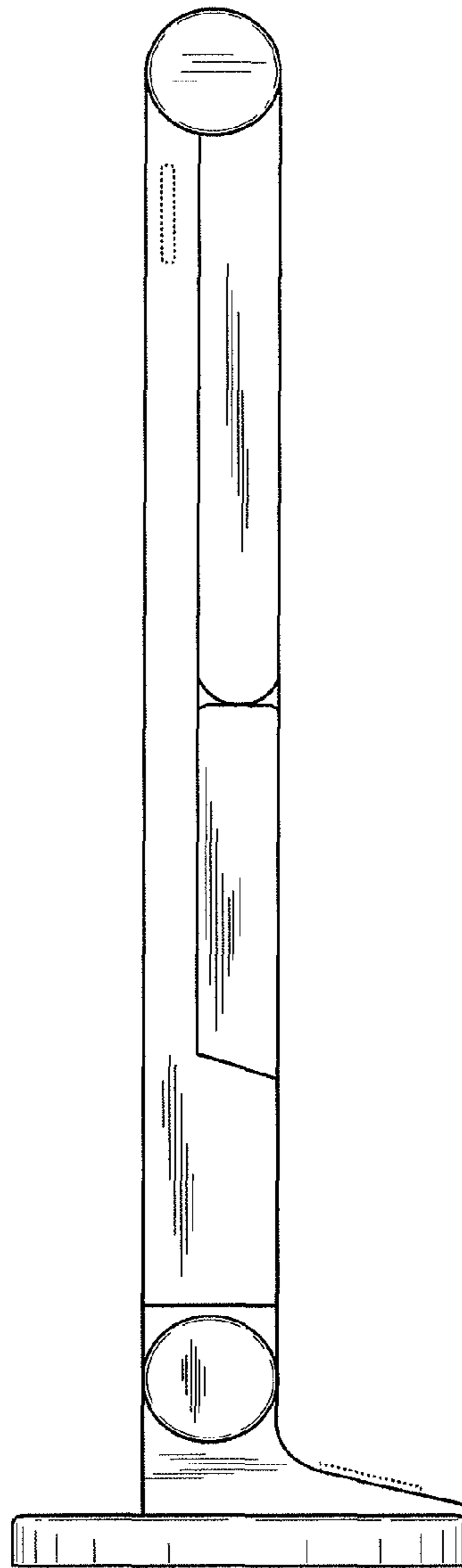
**FIG. 3**



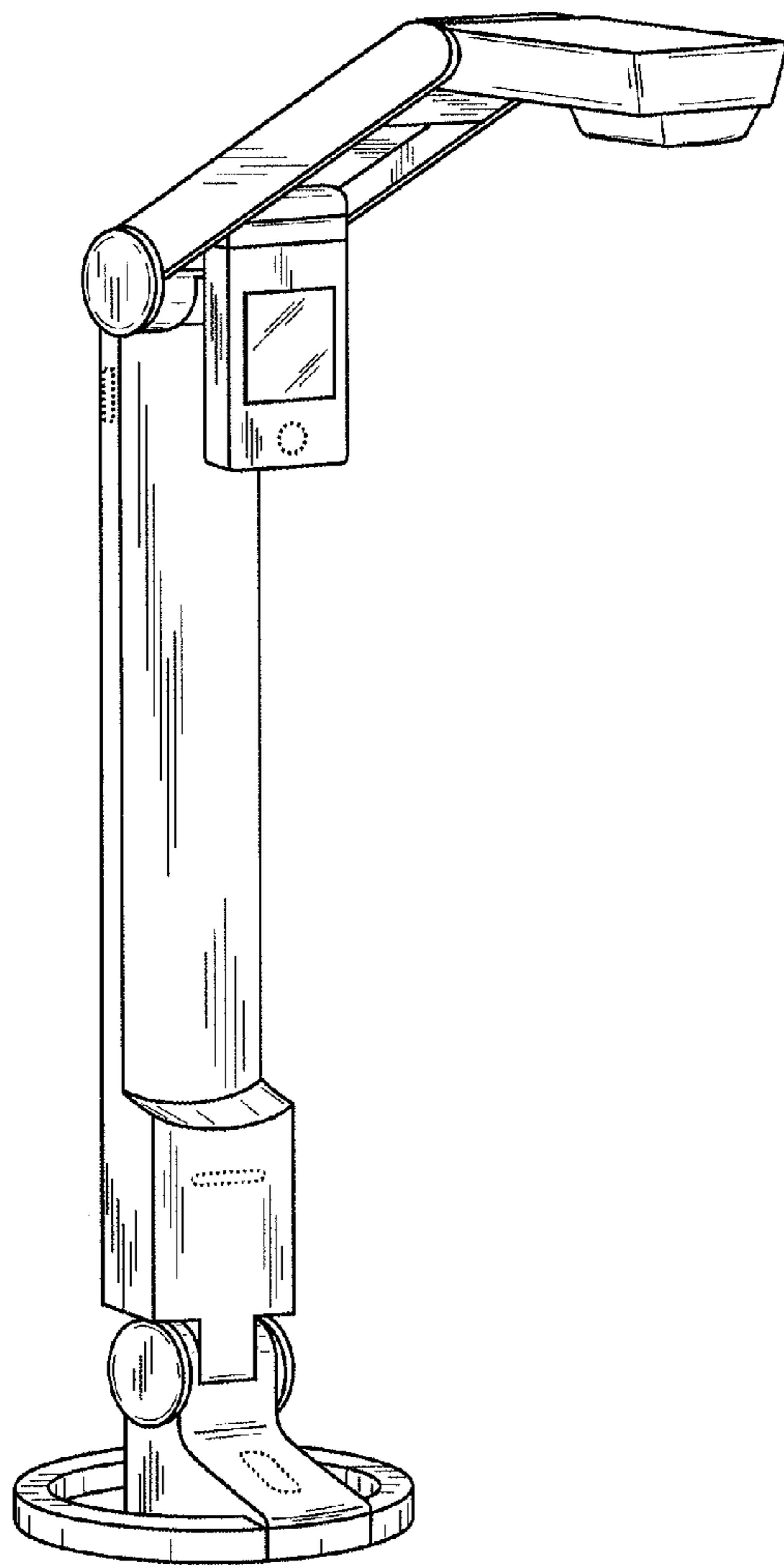
**FIG. 4**



**FIG. 5**

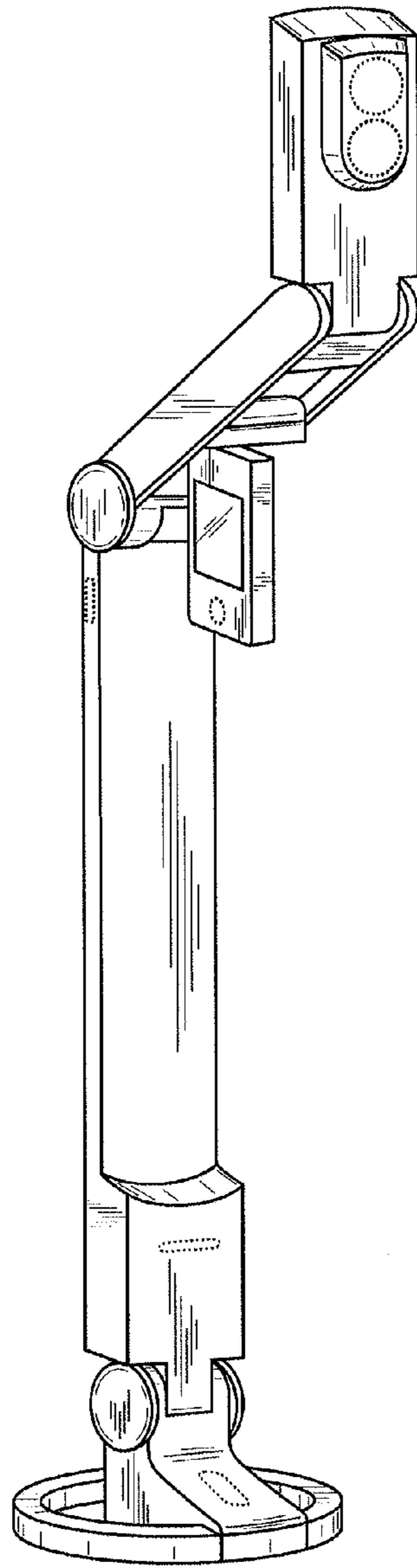


**FIG. 6**

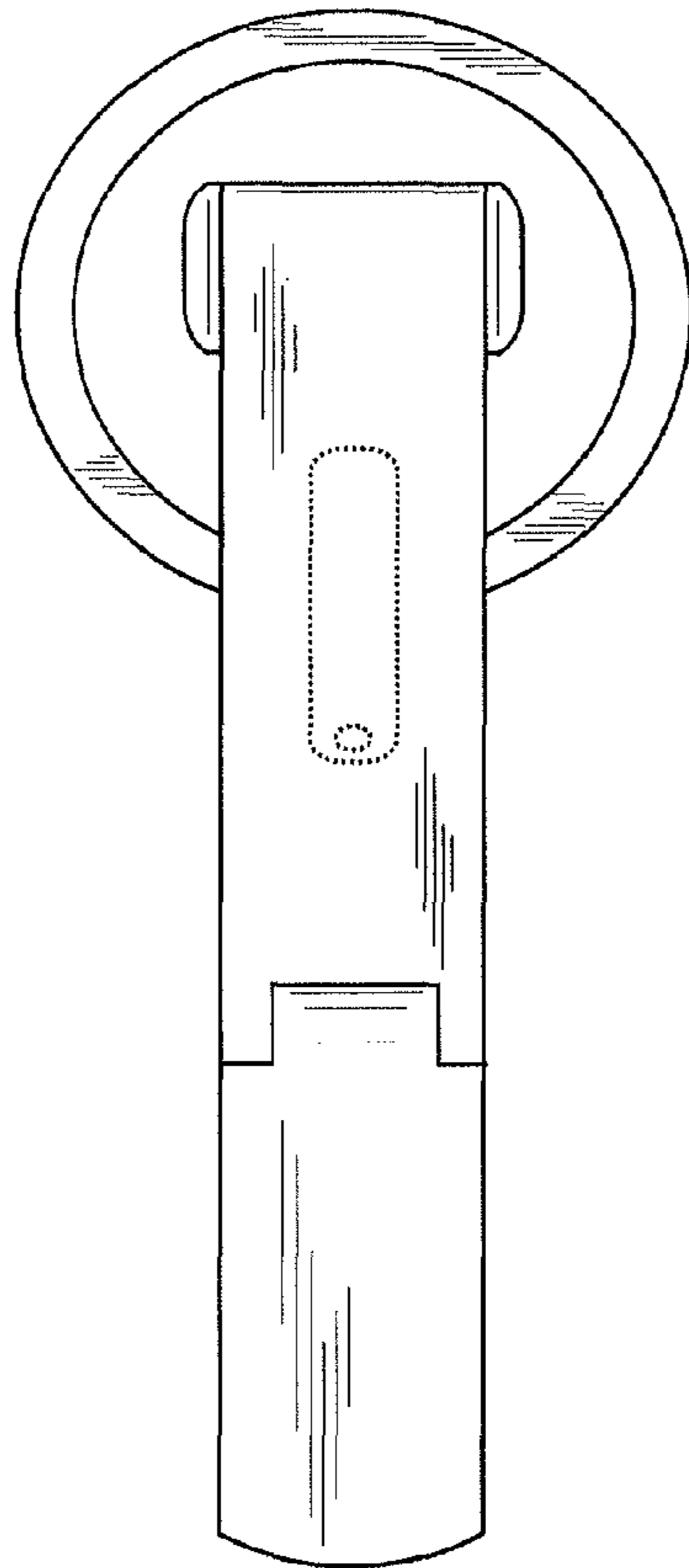


**FIG. 7**

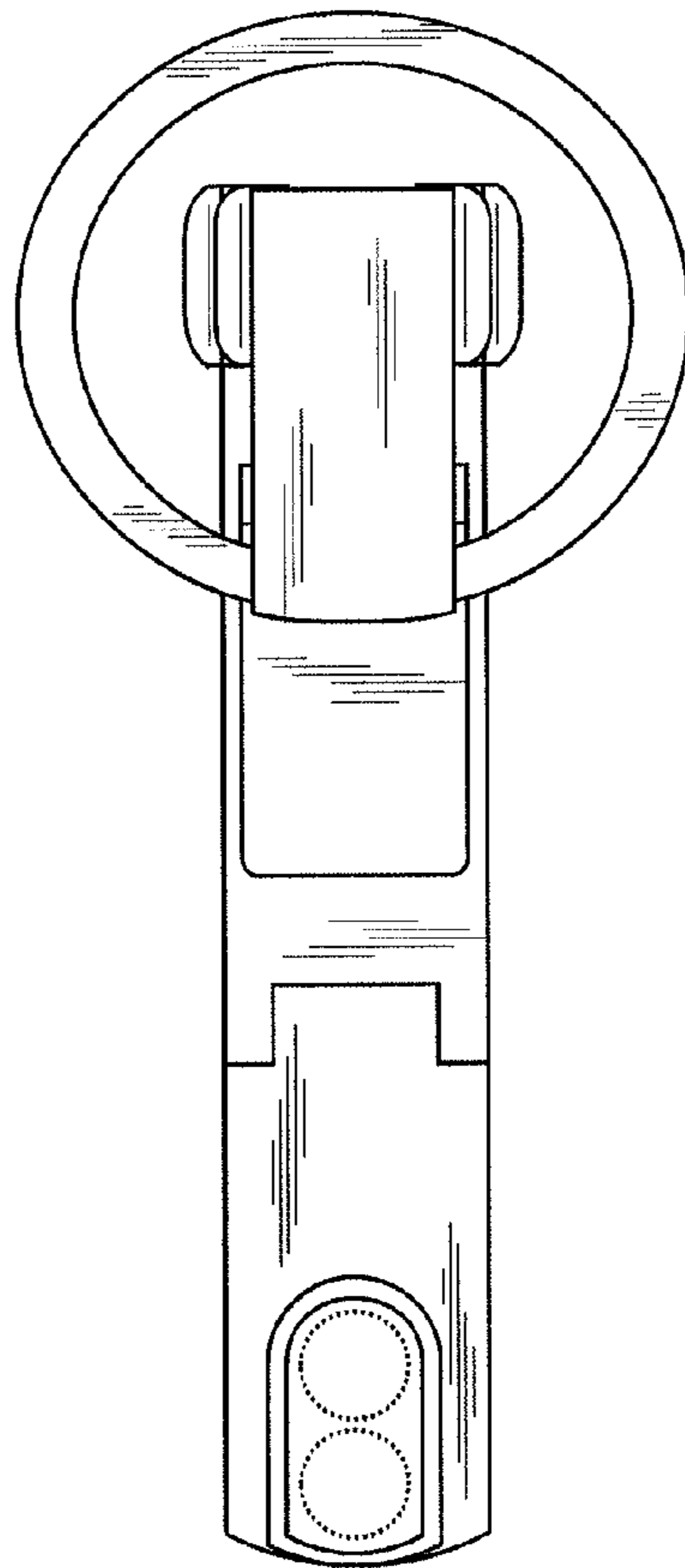




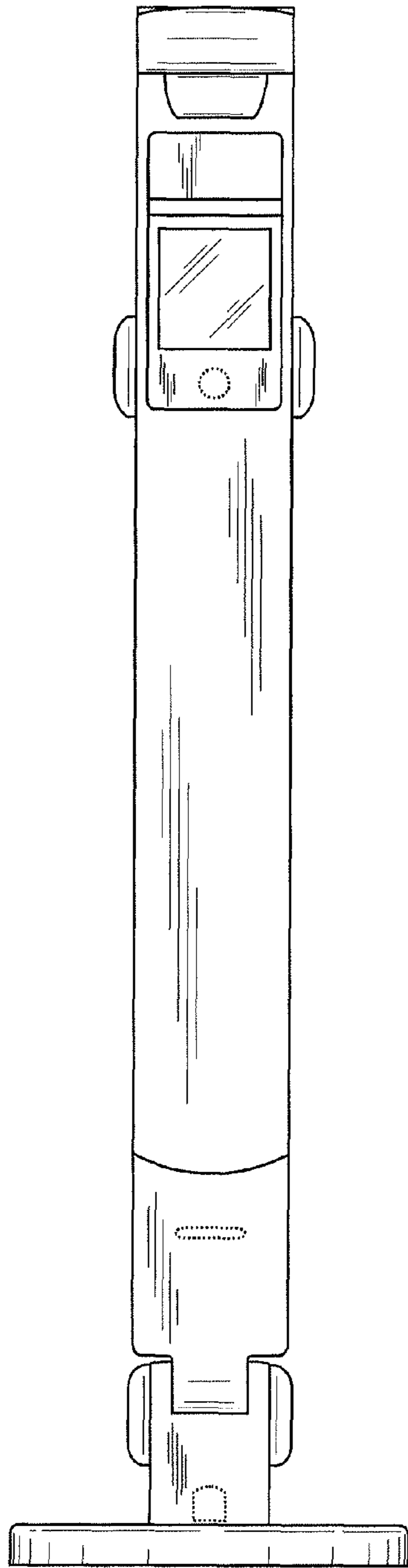
**FIG. 8**



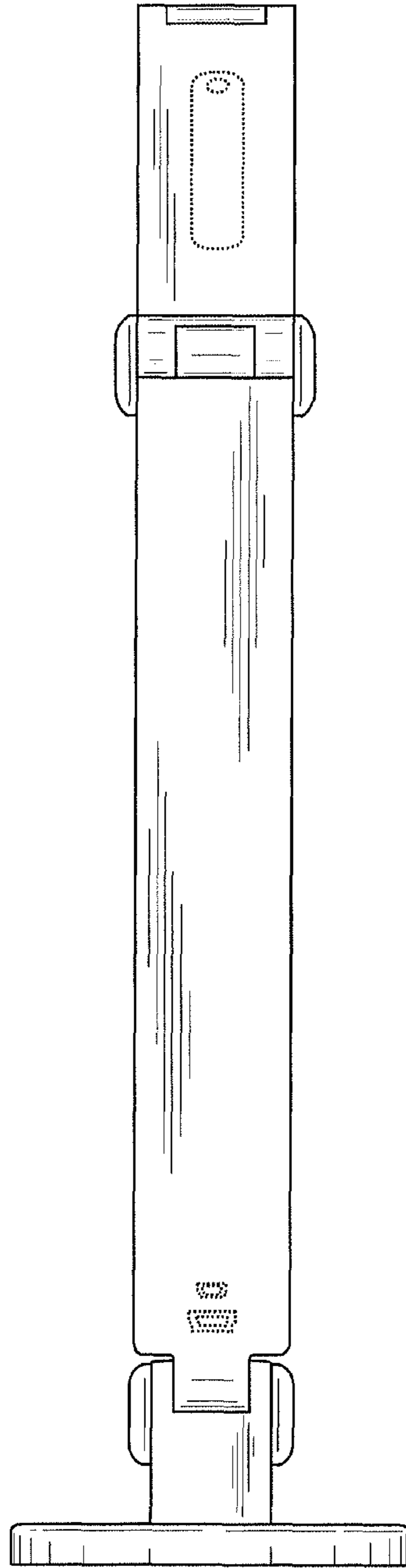
**FIG. 9**



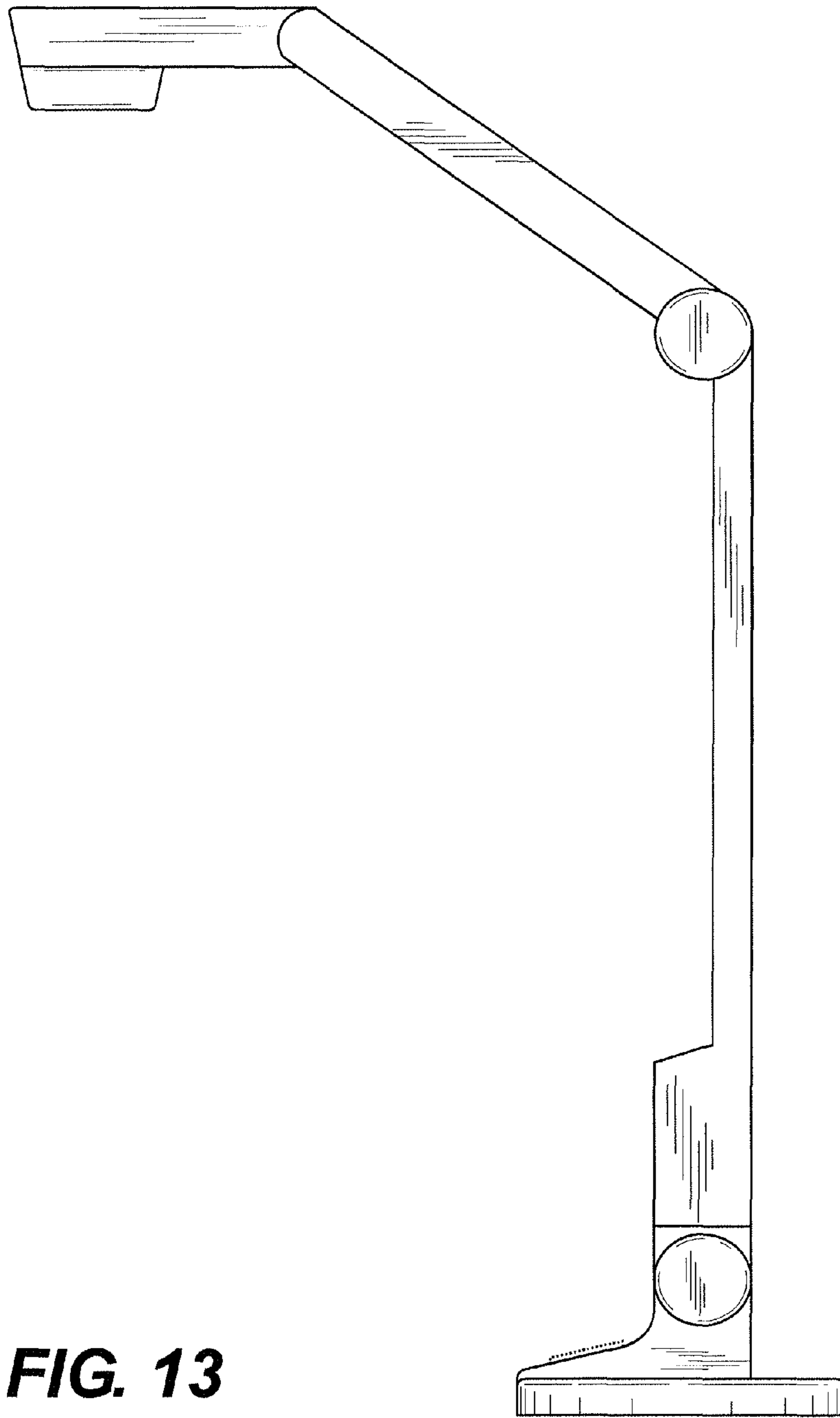
**FIG. 10**



**FIG. 11**



**FIG. 12**



**FIG. 13**