



US00D677706S

(12) **United States Design Patent**  
**Nojima et al.**

(10) **Patent No.:** **US D677,706 S**  
(45) **Date of Patent:** **\*\* Mar. 12, 2013**

(54) **DIGITAL CAMERA**

(75) Inventors: **Akira Nojima**, Tokyo (JP); **Akio Shindate**, London (GB)

(73) Assignee: **Nikon Corporation**, Tokyo (JP)

(\*\*) Term: **14 Years**

(21) Appl. No.: **29/415,388**

(22) Filed: **Mar. 9, 2012**

(30) **Foreign Application Priority Data**

Sep. 20, 2011 (JP) ..... 2011-021399

(51) **LOC (9) Cl.** ..... **16-01**

(52) **U.S. Cl.** ..... **D16/202**

(58) **Field of Classification Search** ..... D16/200,  
D16/202, 204, 208, 218, 219; 348/373-376;  
358/909.1; 396/25, 535, 540, 541  
See application file for complete search history.

(56) **References Cited**

**U.S. PATENT DOCUMENTS**

D555,689 S \* 11/2007 Yoo et al. .... D16/218  
D582,459 S \* 12/2008 Nakamura ..... D16/202  
7,778,014 B2 \* 8/2010 Saiki et al. .... 361/679.01  
D628,220 S \* 11/2010 Lee ..... D16/202  
7,929,859 B2 \* 4/2011 Saiki ..... 396/535

8,014,667 B2 \* 9/2011 Saiki ..... 396/535  
D649,572 S \* 11/2011 Lee ..... D16/202  
D662,958 S \* 7/2012 Fujita ..... D16/202  
D662,962 S \* 7/2012 Inoue ..... D16/219

\* cited by examiner

*Primary Examiner* — Adir Aronovich

(74) *Attorney, Agent, or Firm* — Wolf, Greenfield & Sacks, P.C.; Randy J. Pritzker

(57) **CLAIM**

The ornamental design for a digital camera, as shown and described.

**DESCRIPTION**

FIG. 1 is a front perspective view of a digital camera showing our new design;

FIG. 2 is a rear perspective view thereof;

FIG. 3 is a front elevational view thereof;

FIG. 4 is a rear elevational view thereof;

FIG. 5 is a top plan view thereof;

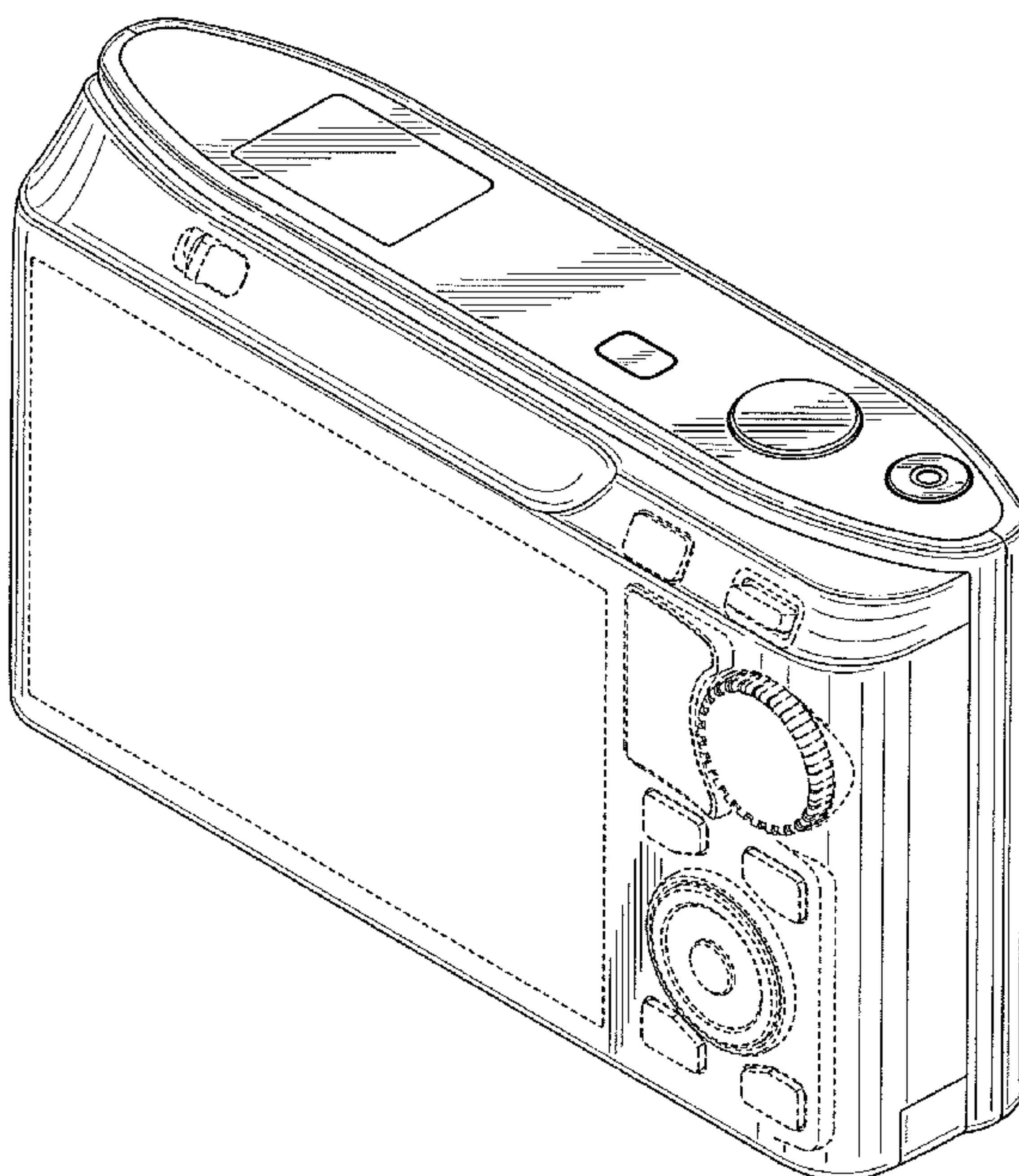
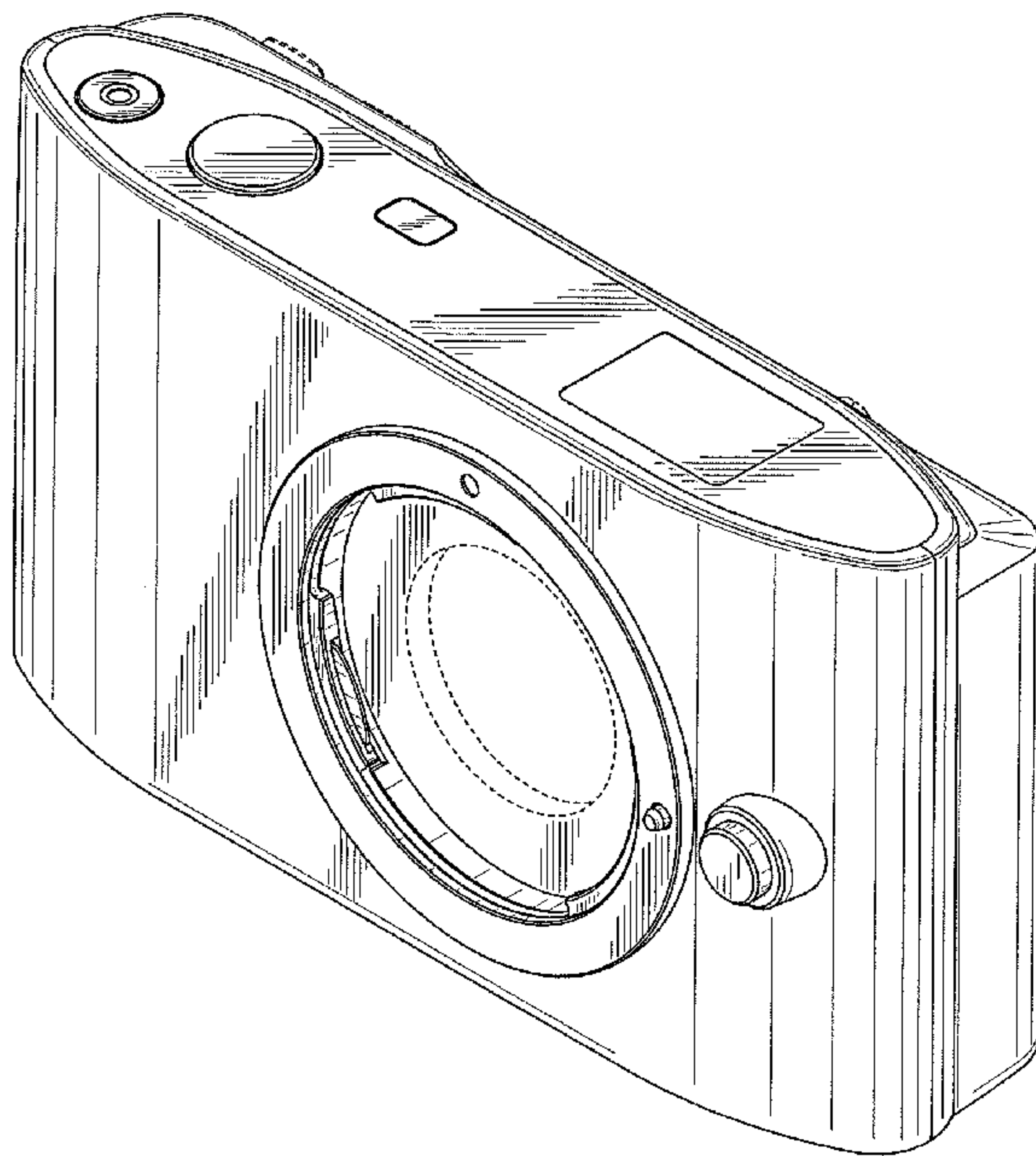
FIG. 6 is a bottom plan view thereof;

FIG. 7 is a right side elevational view thereof; and,

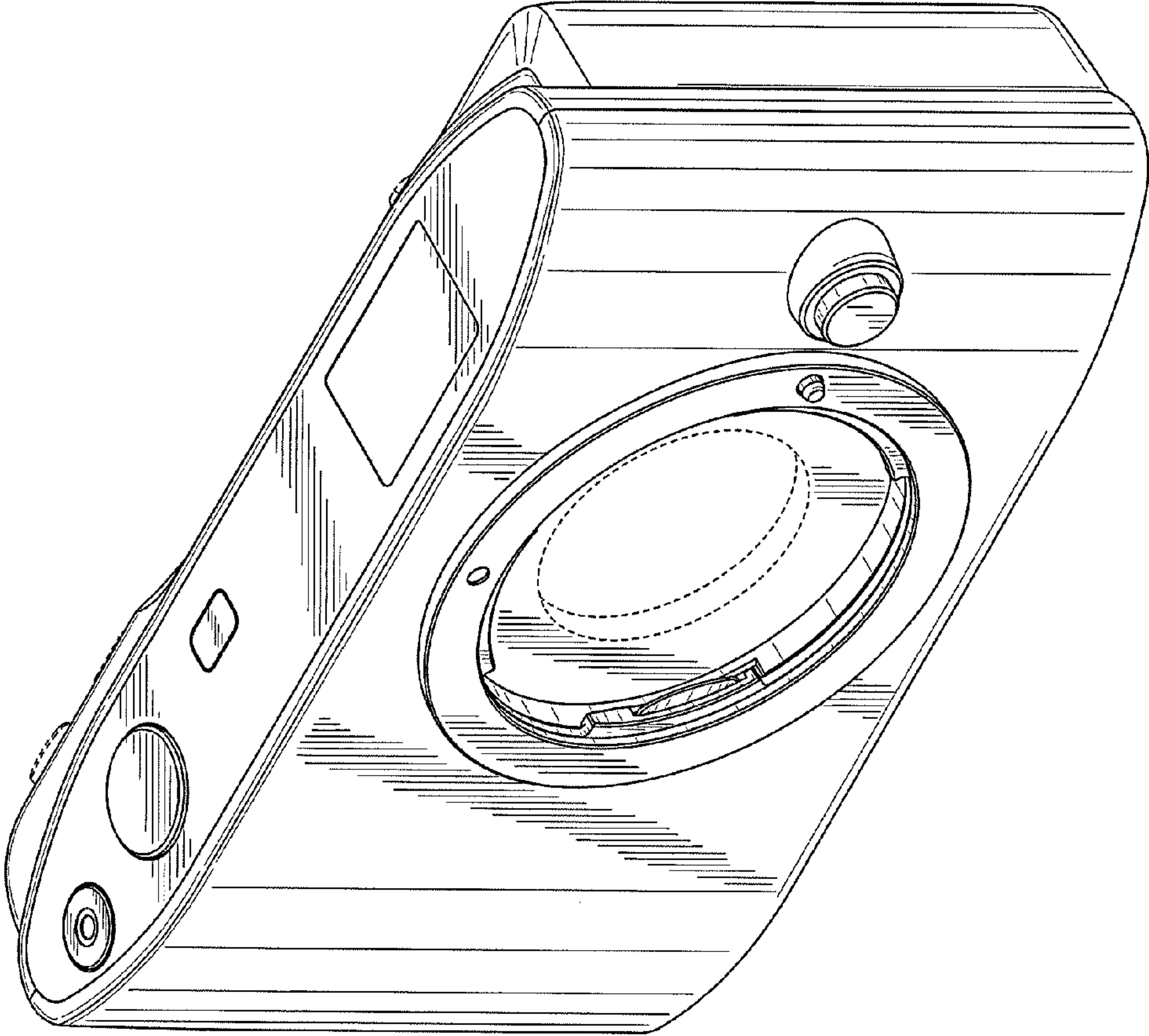
FIG. 8 is a left side elevational view thereof.

The features shown in broken lines in the drawings depict environmental subject matter only and form no part of the claimed design.

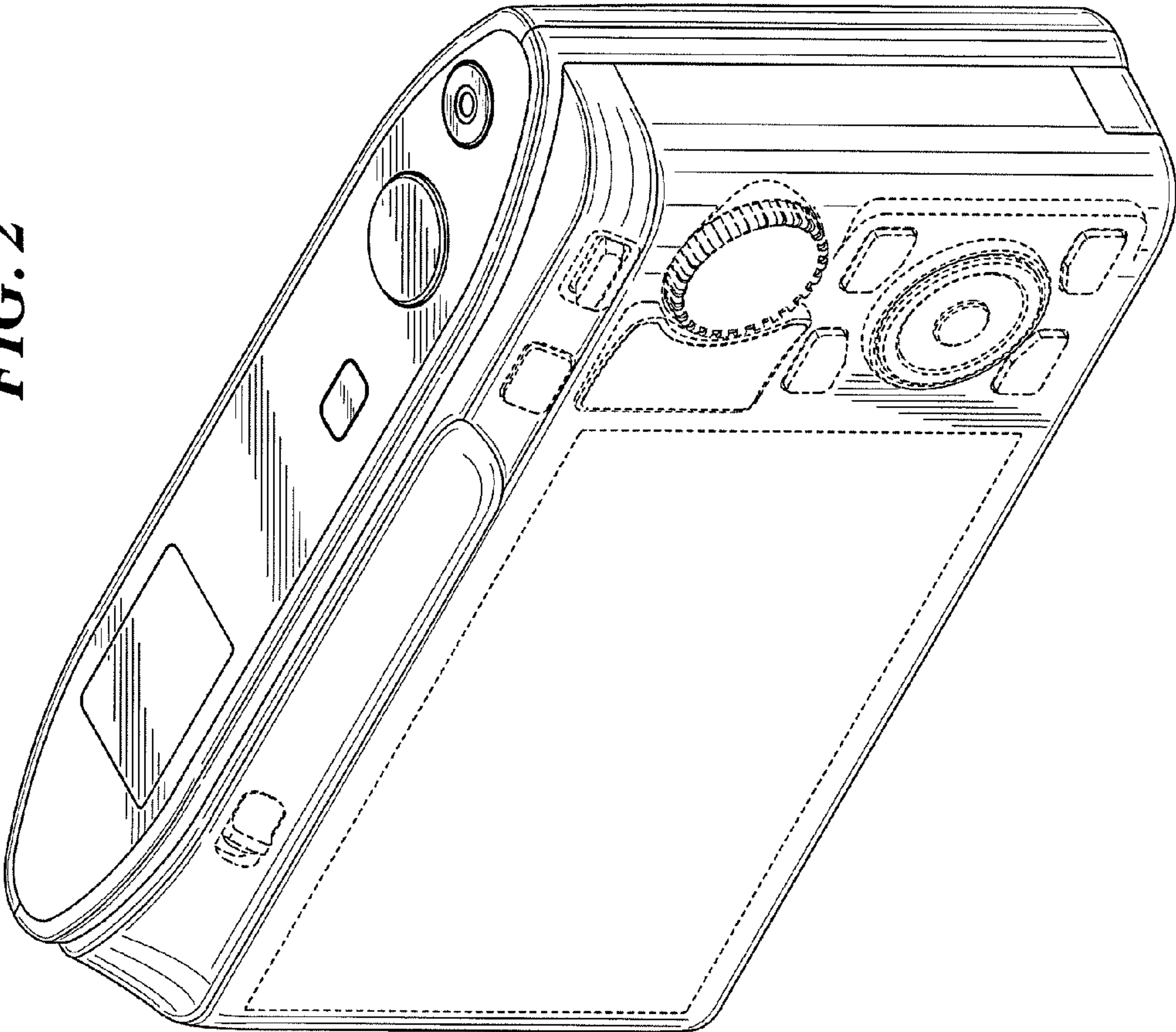
**1 Claim, 7 Drawing Sheets**



*FIG. 1*

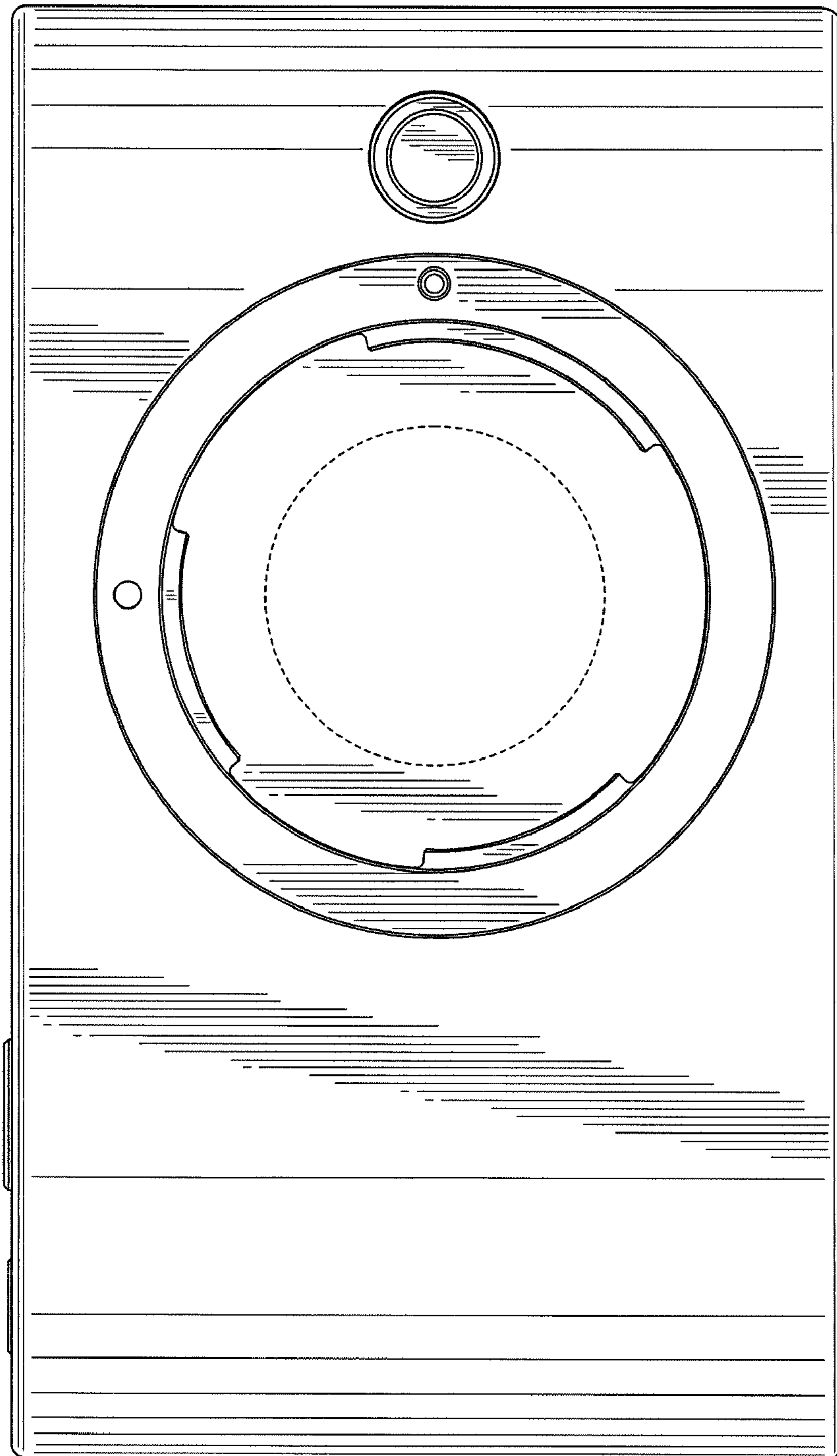


*FIG. 2*

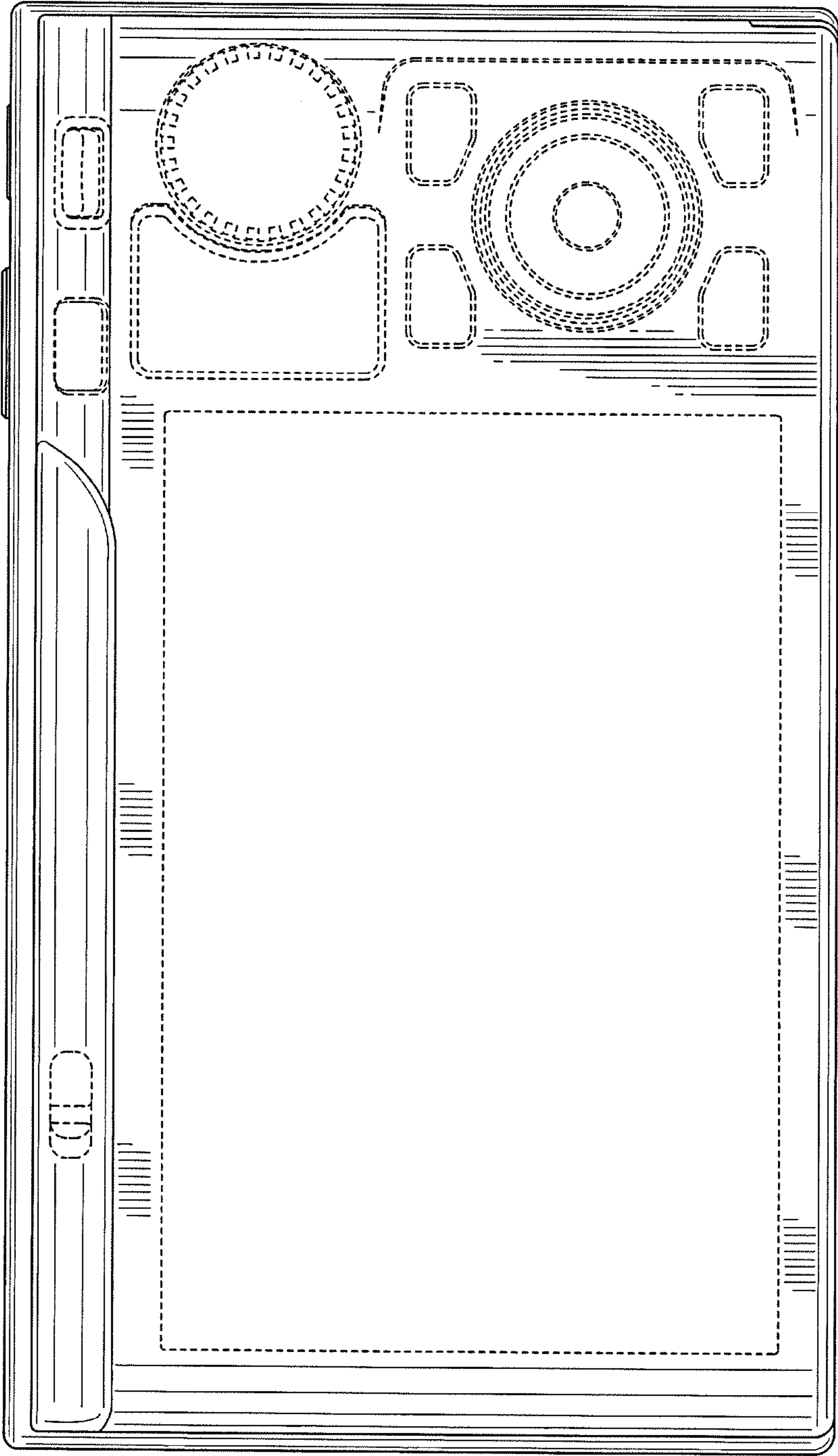




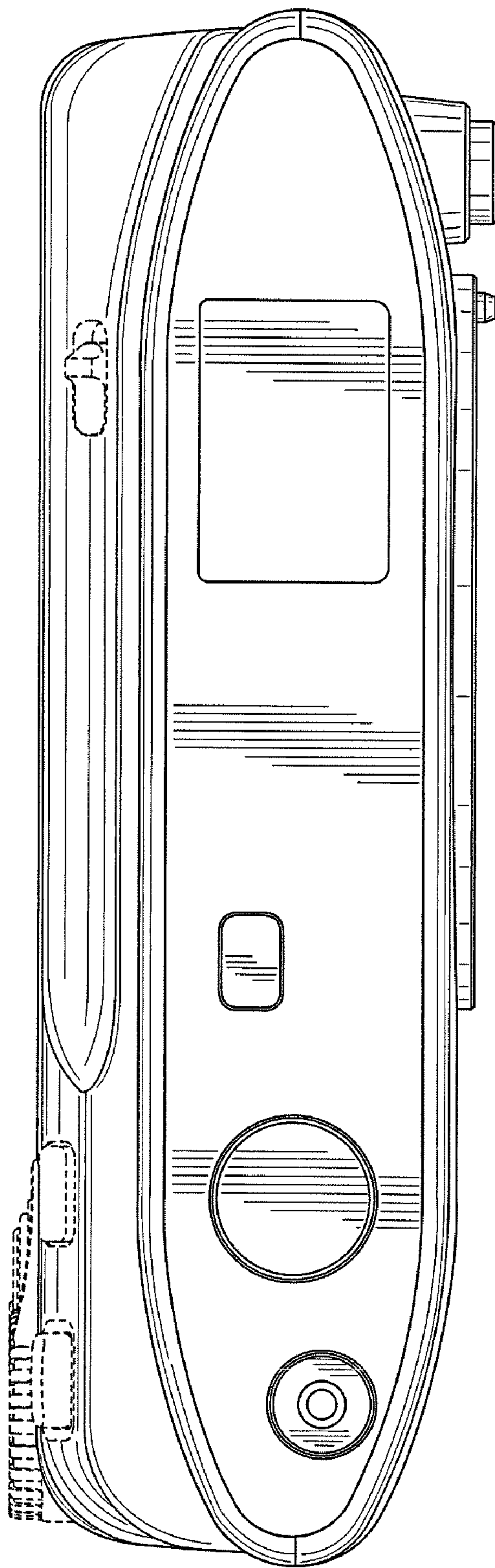
**FIG. 3**



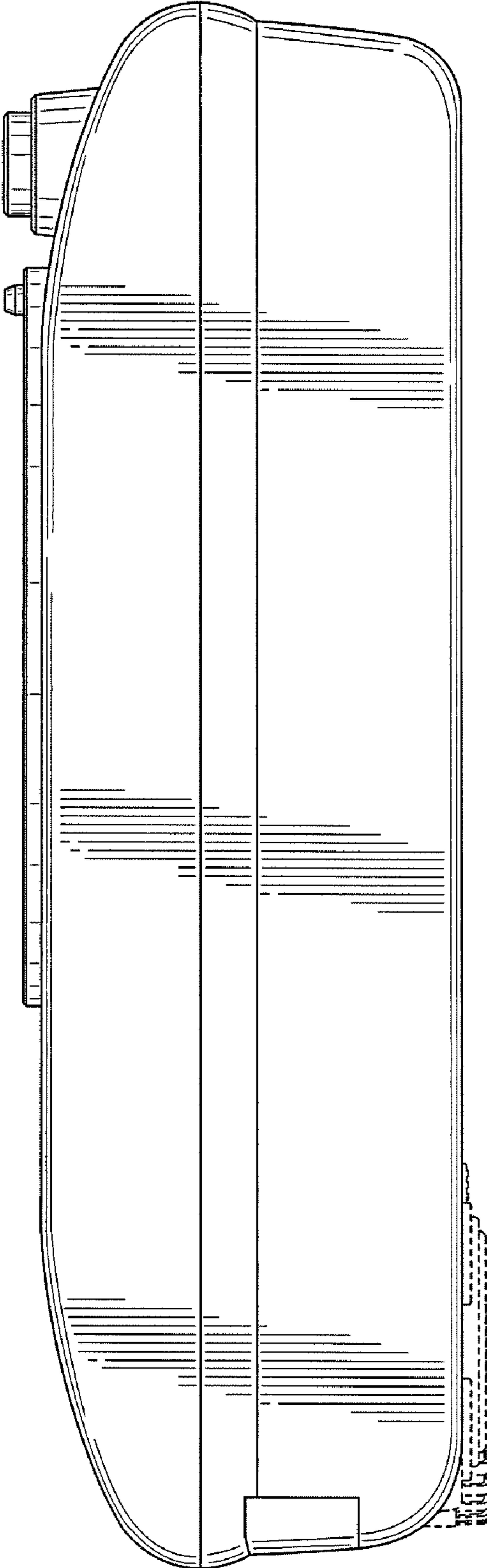
**FIG. 4**



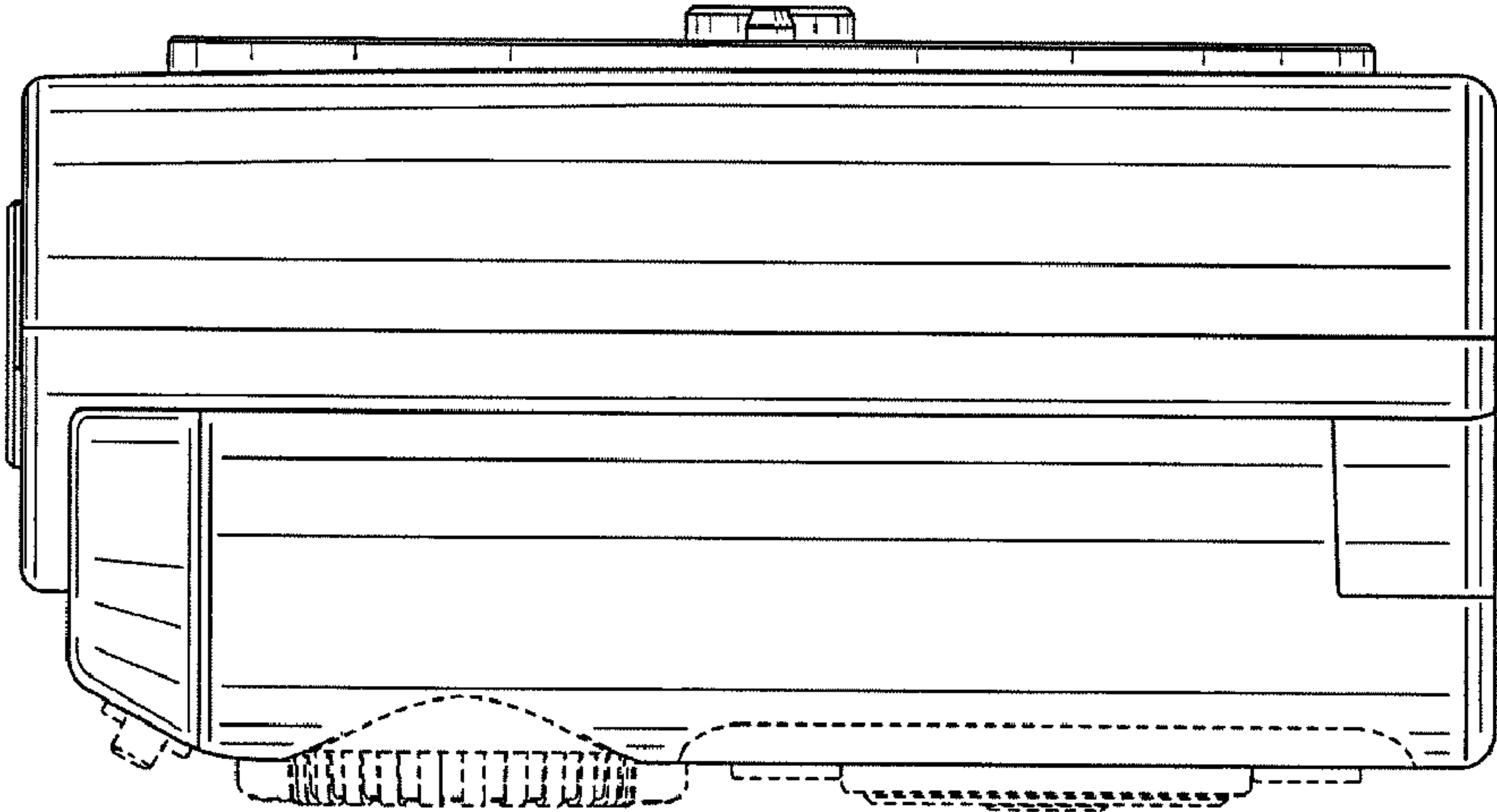
**FIG. 5**



**FIG. 6**



**FIG. 8**



**FIG. 7**

